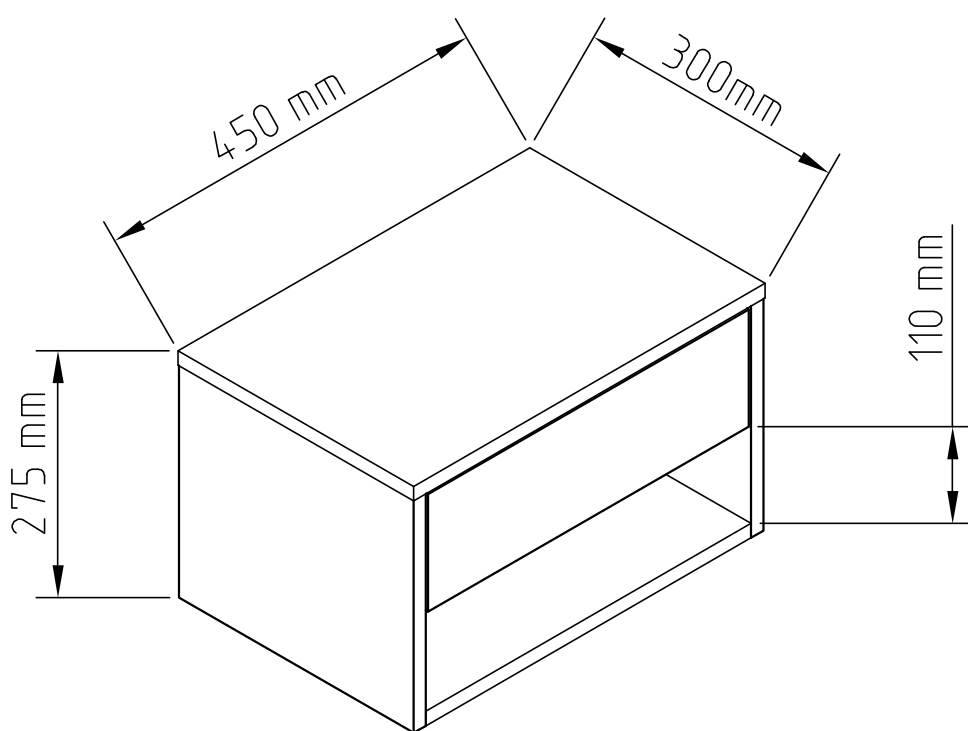
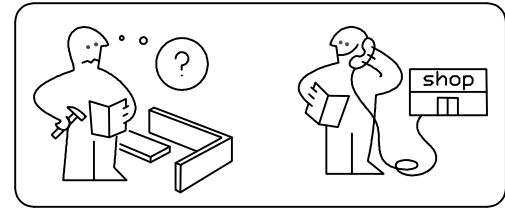
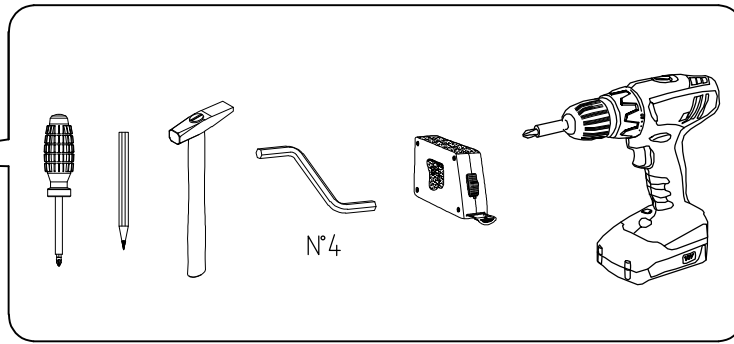
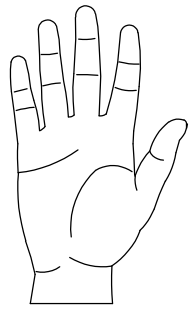


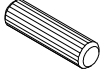

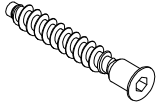
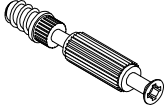


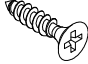
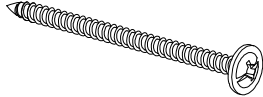
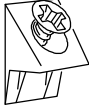
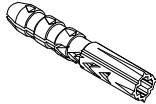
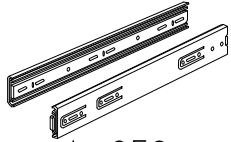
**Міла / Mila**

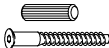
**тумбочка навісна /**

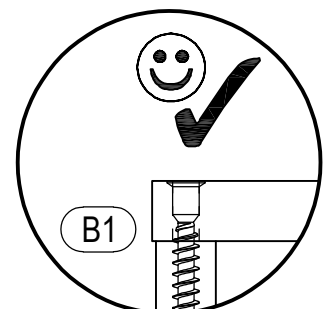
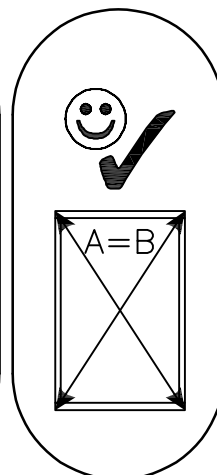
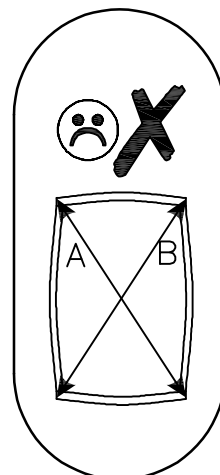
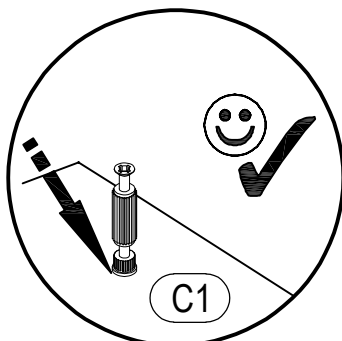
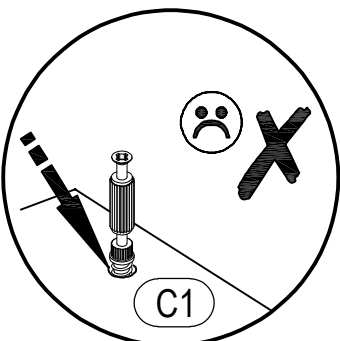
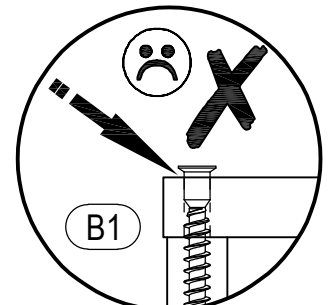
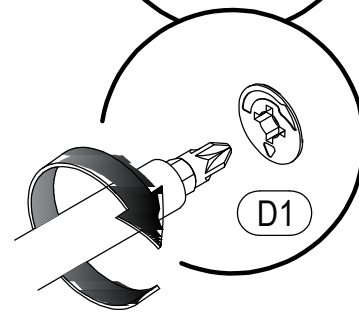
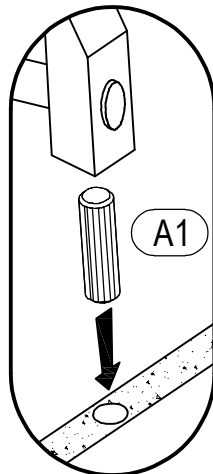
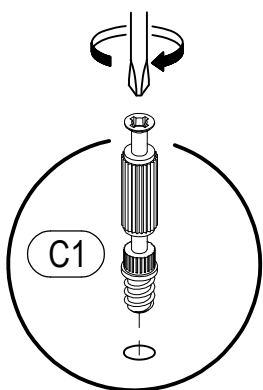
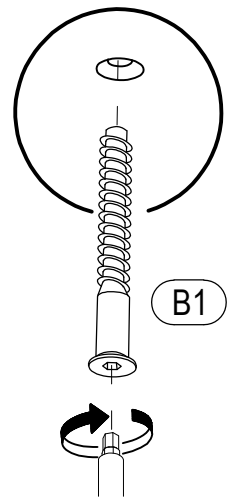
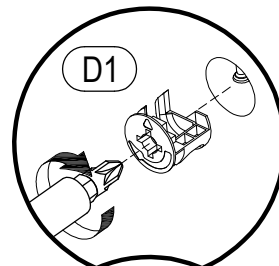
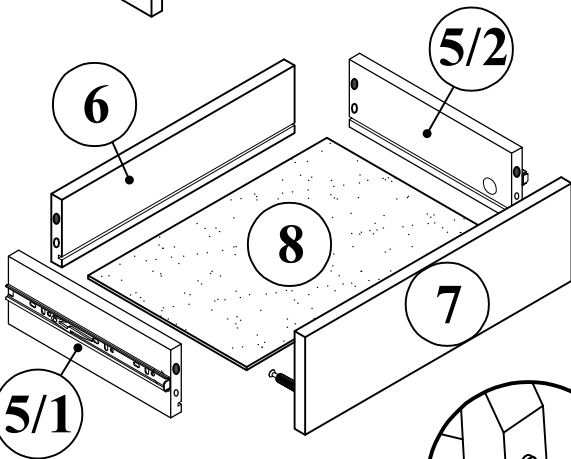
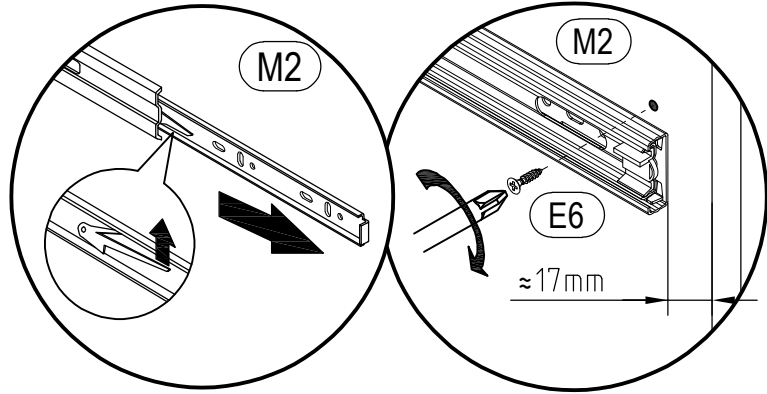
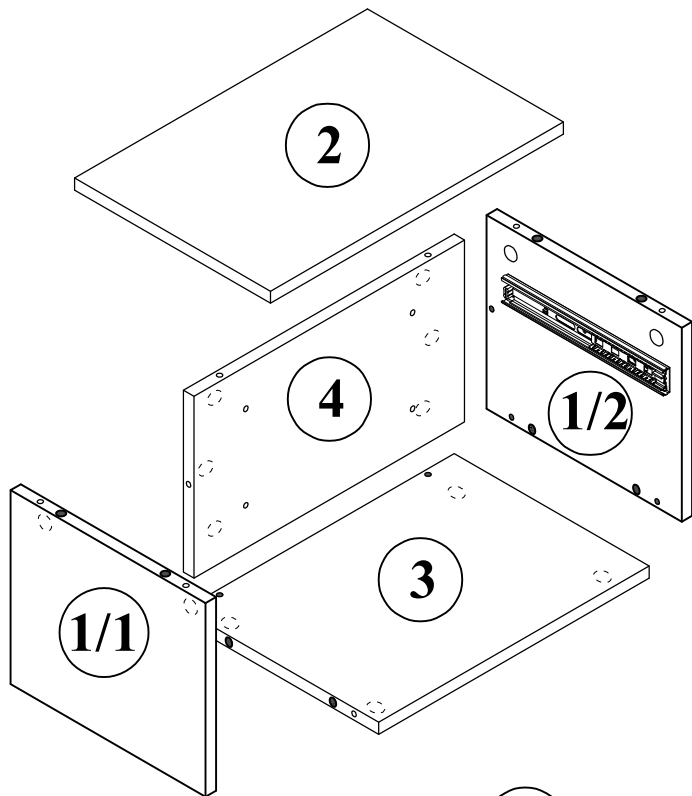
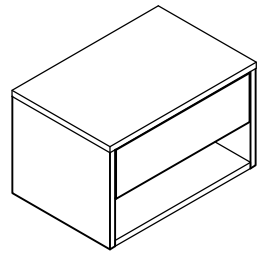
**nightstand is hinged**



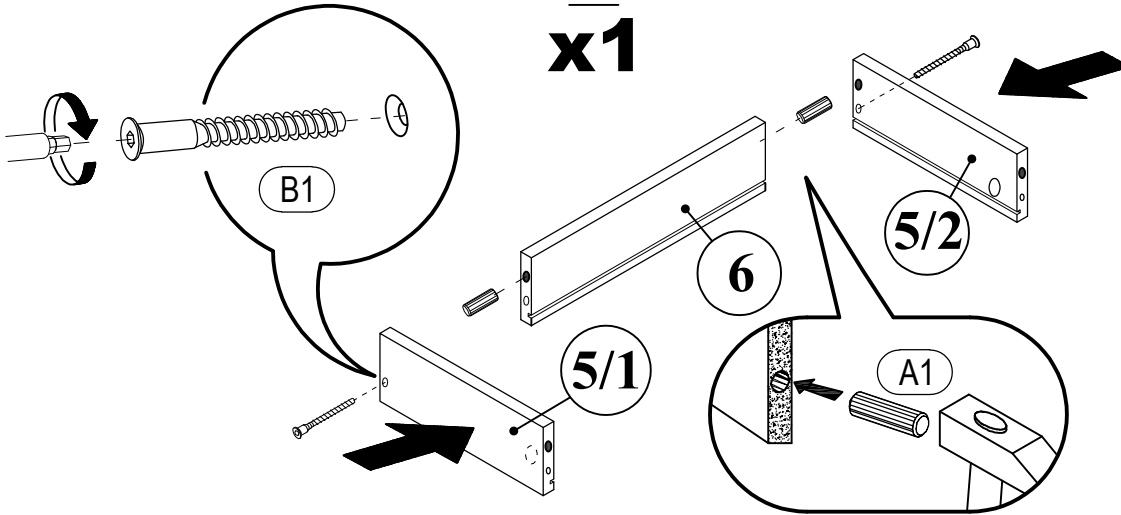


 <b>A1</b> 8*30mm x12	 <b>B</b> $\phi$ 12mm x2	 <b>B1</b> 6,3*50mm x2
 <b>C1</b> 6*43mm x16	 <b>D</b> $\phi$ 20mm x16	 <b>D1</b> 15/16 x16
 <b>E6</b> 3,5*16mm x8	 <b>E-5</b> 4,2*51mm x4	 <b>H2</b> RV-8 x1
 <b>H5</b> 8*50mm x4	 <b>M2</b> L-250mm x1	

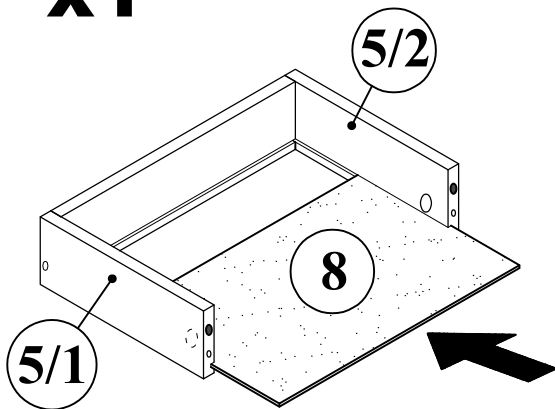
No	a*b	x	N°→...
1/1	258x300	x1	1/1
1/2	258x300	x1	1/1
2	450x301	x1	1/1
3	416x300	x1	1/1
4	416x242	x1	1/1
5/1	250x90	x1	1/1
5/2	250x90	x1	1/1
6	358x90	x1	1/1
7	410x130	x1	1/1
8	367x243	x1	1/1
		x1	1/1



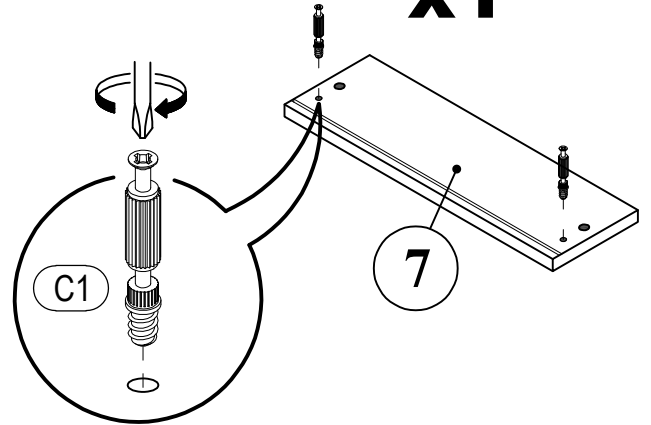
**1**  
**x1**



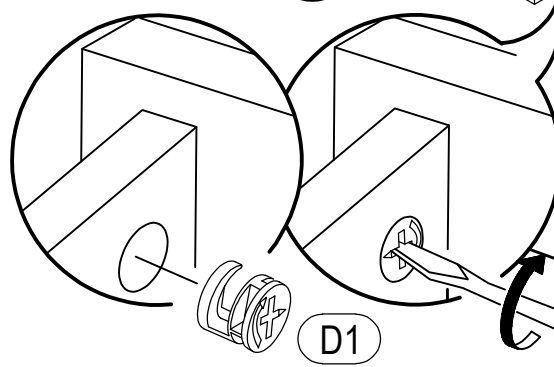
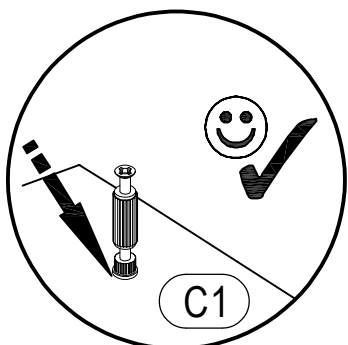
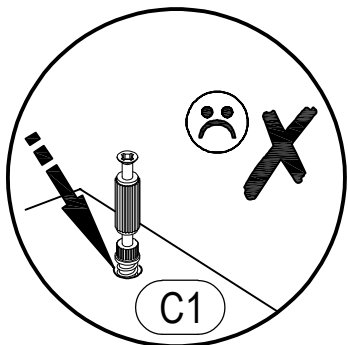
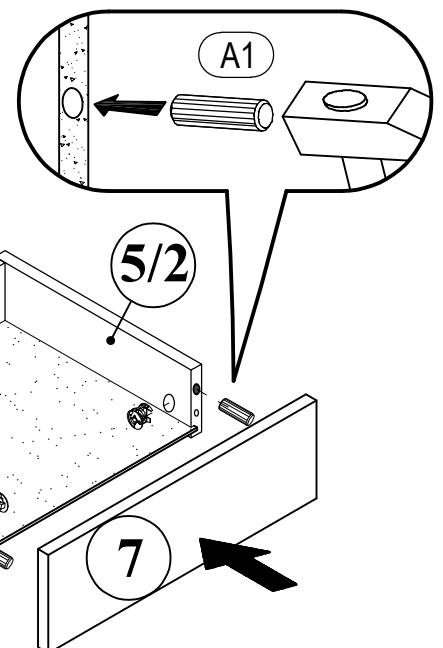
**2**  
**x1**



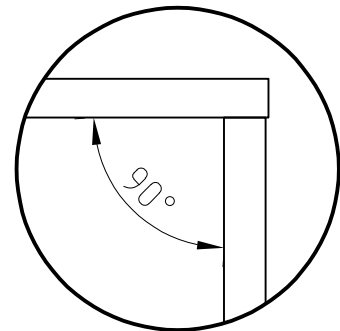
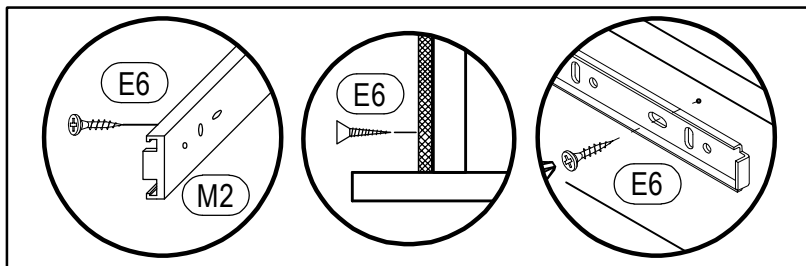
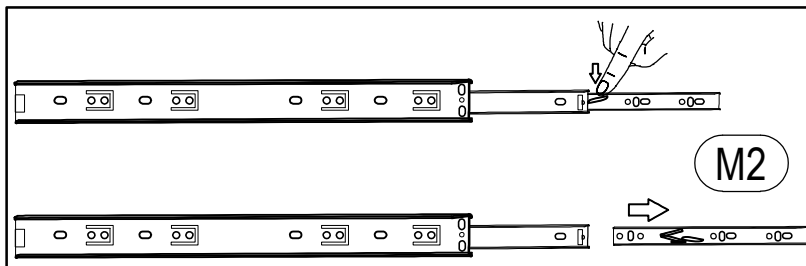
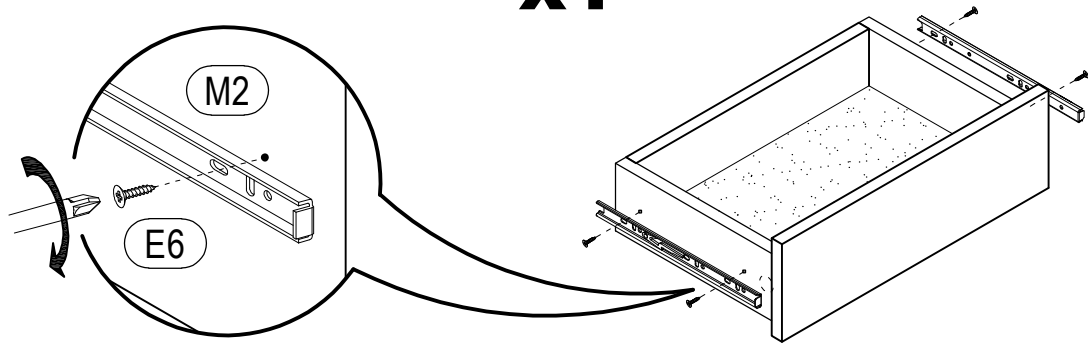
**3**  
**x1**



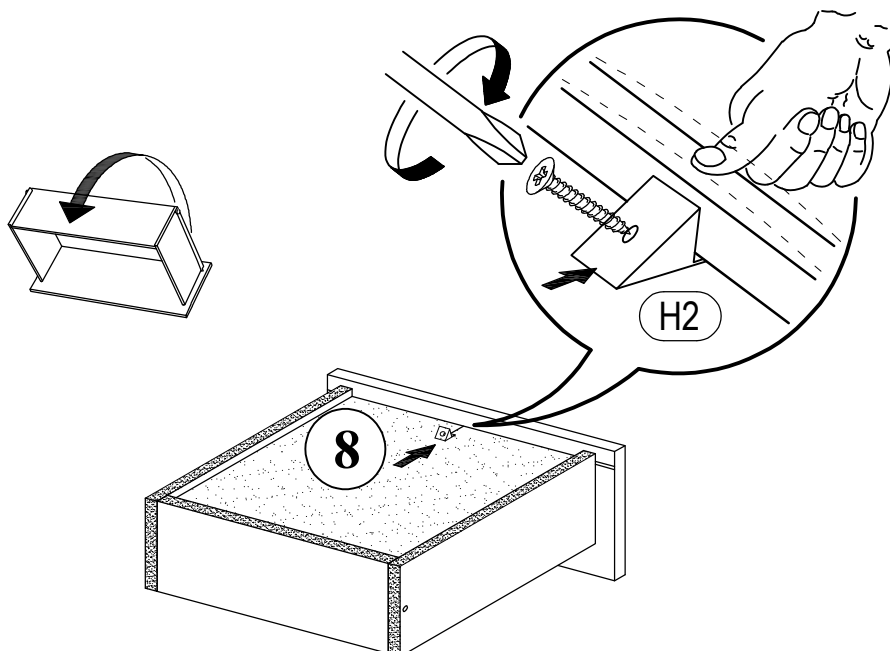
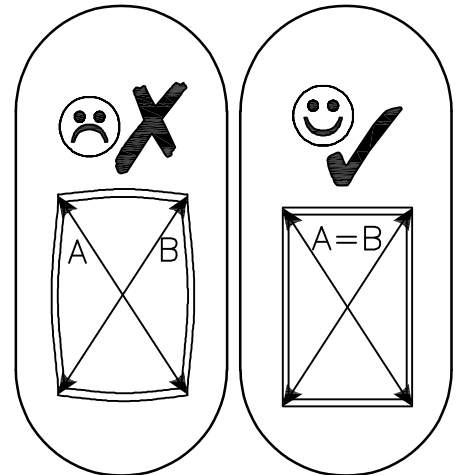
**4**  
**x1**



**5**  
**x1**



**6**  
**x1**



$a = b$



