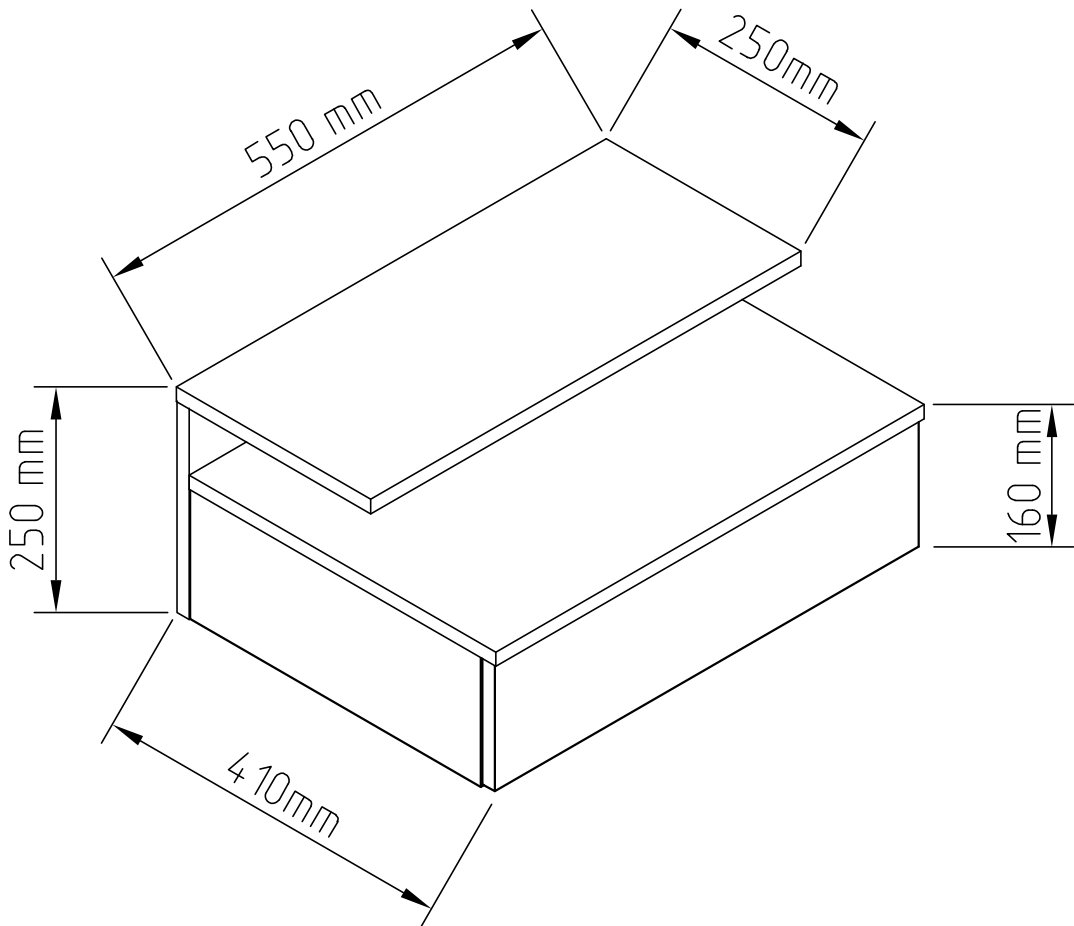
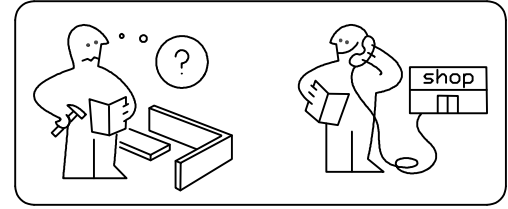
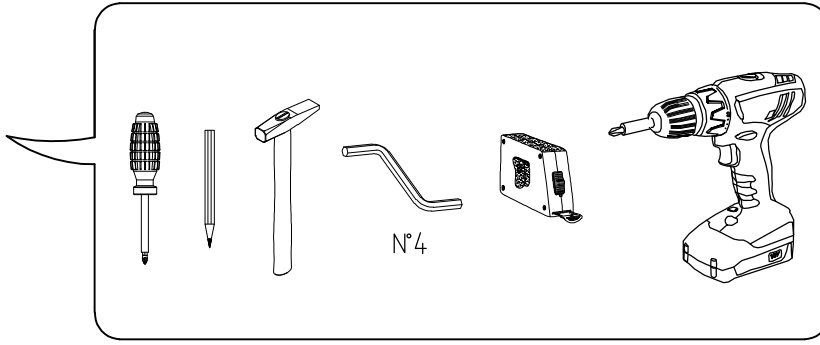
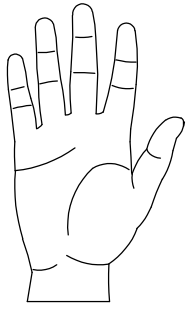


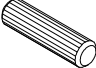

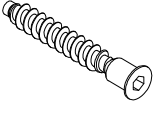
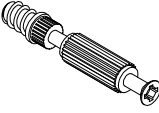

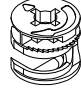
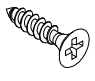
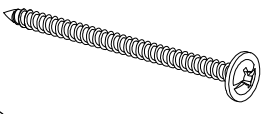


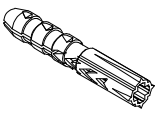

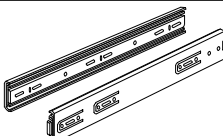
# Kipa / Kira

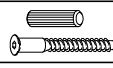
тумбочка навісна /

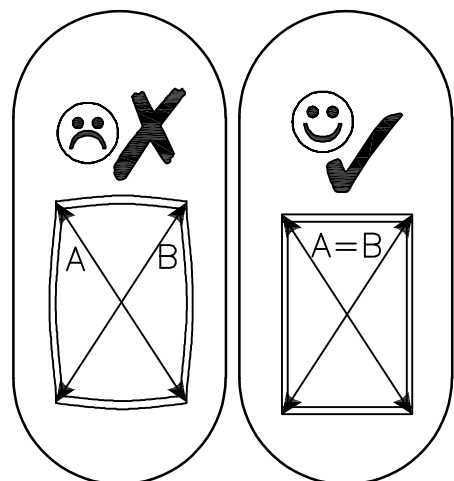
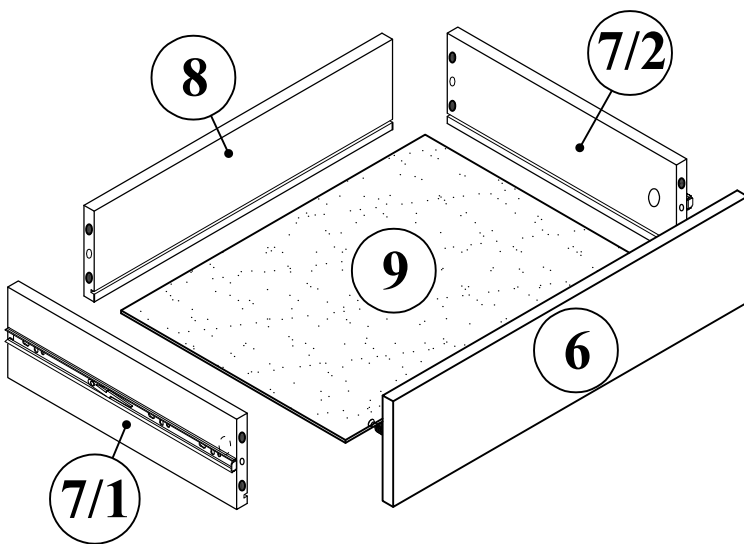
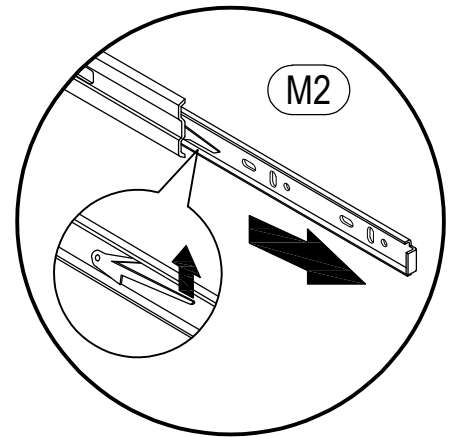
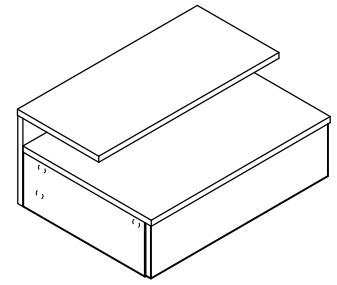
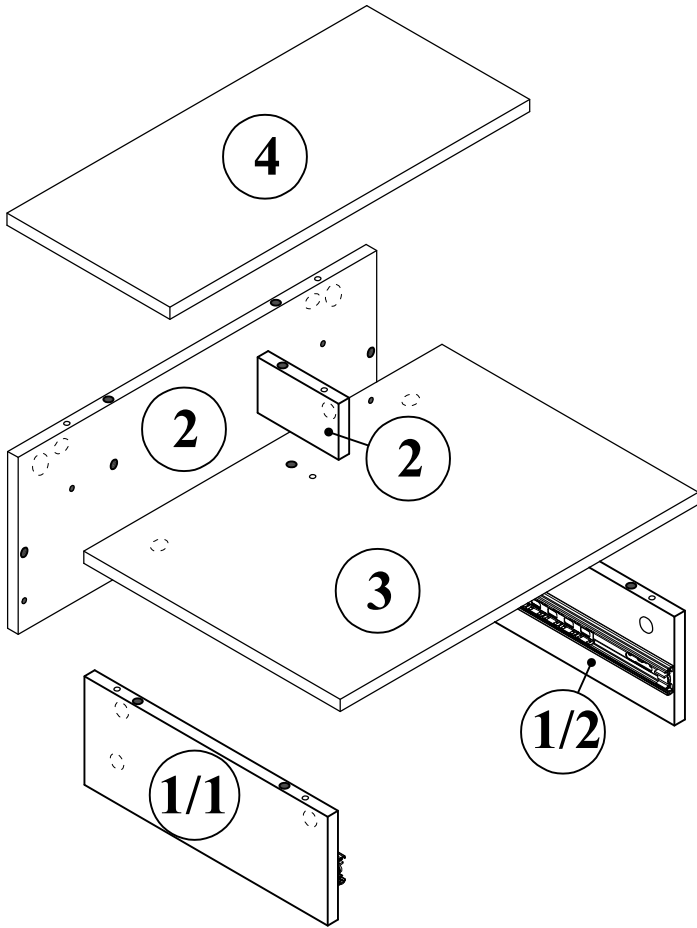
nightstand is hinged

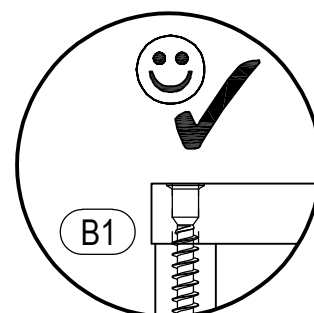
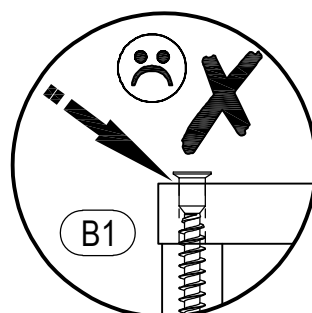
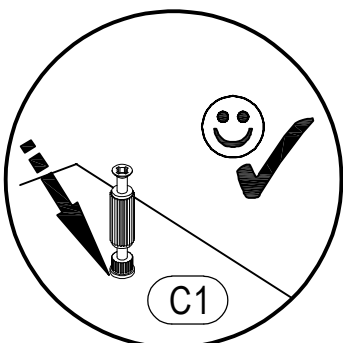
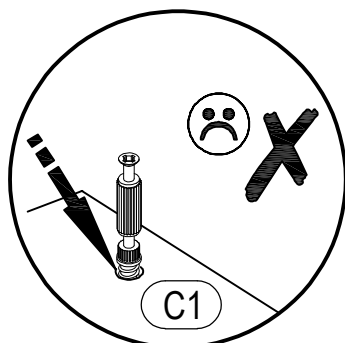
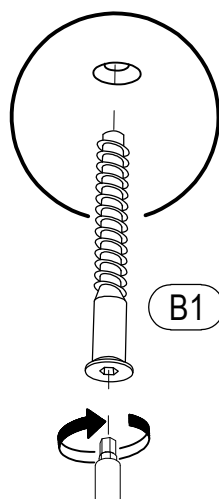
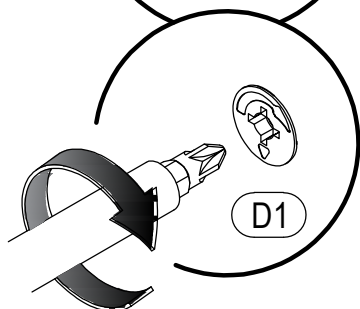
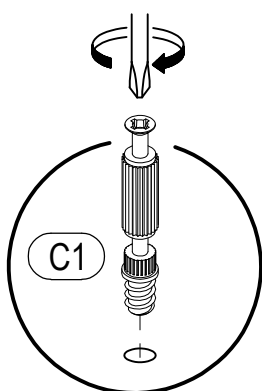
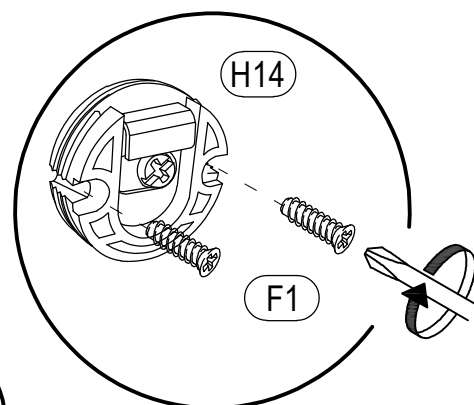
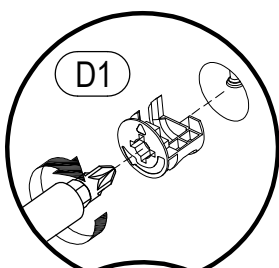
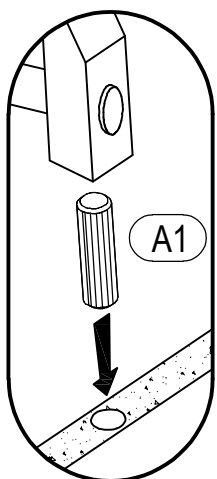
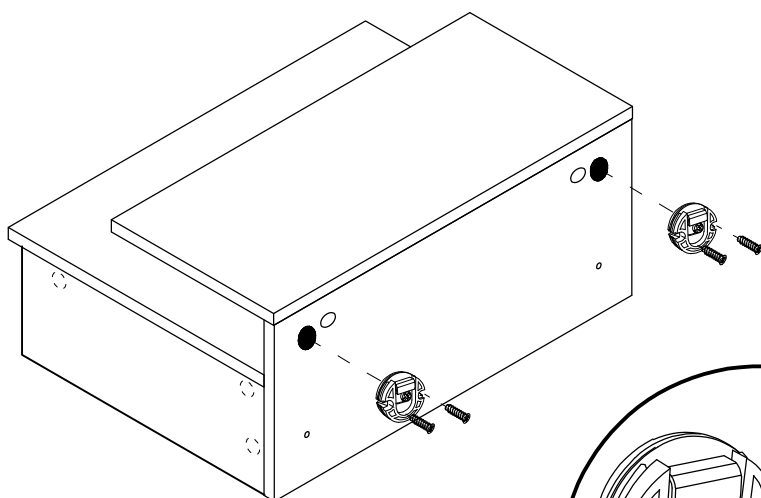
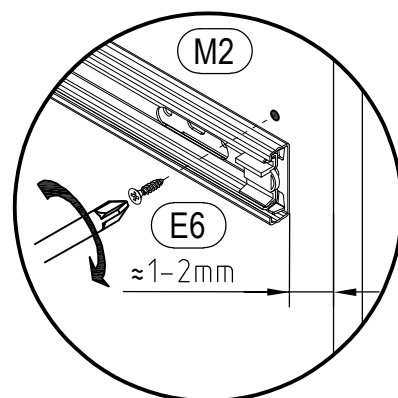
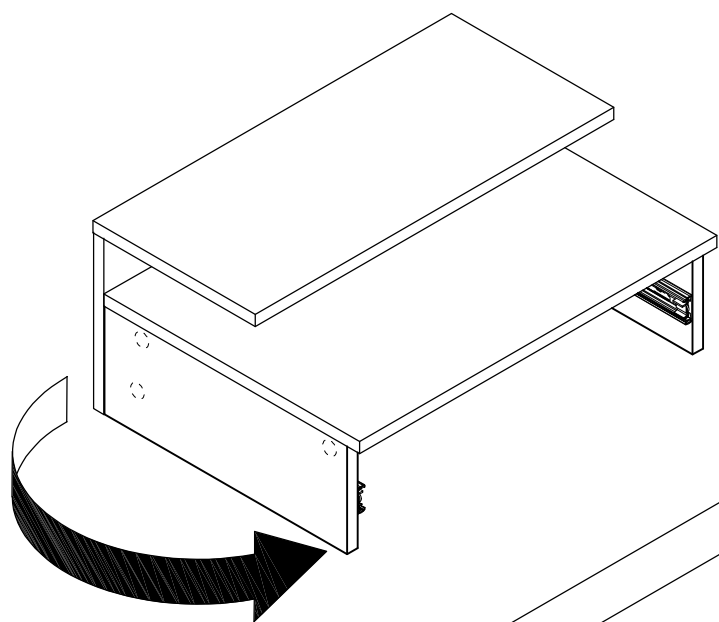


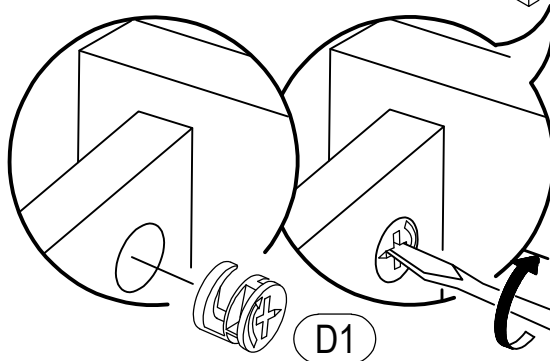
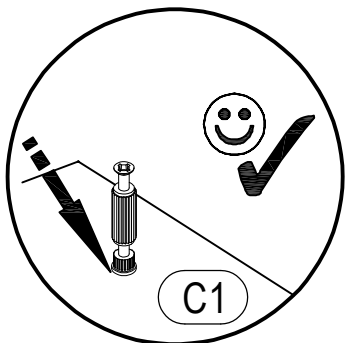
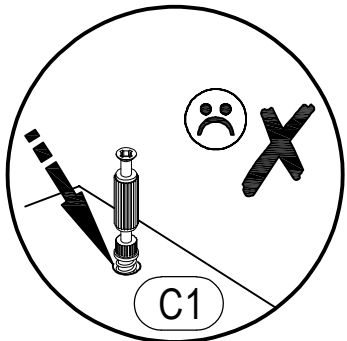
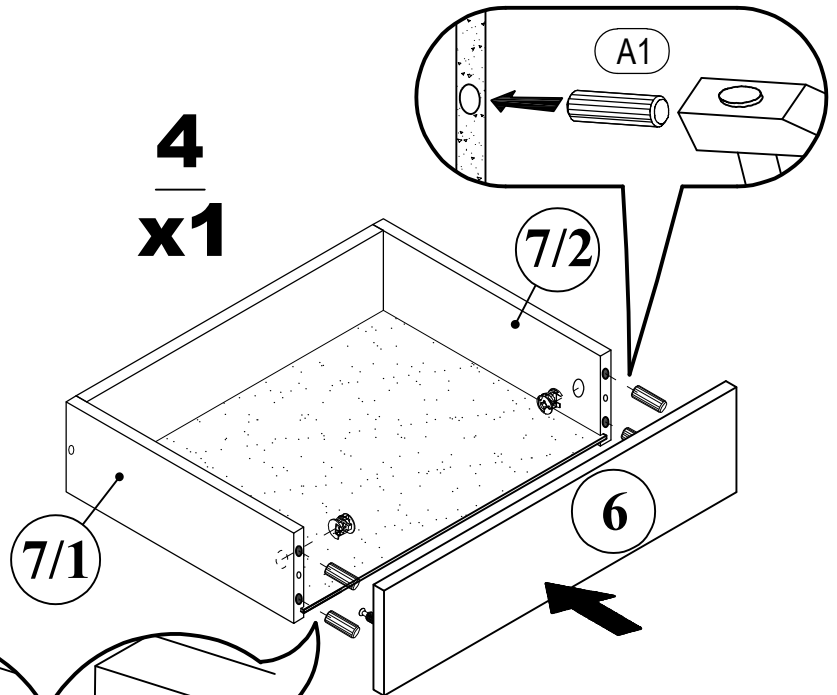
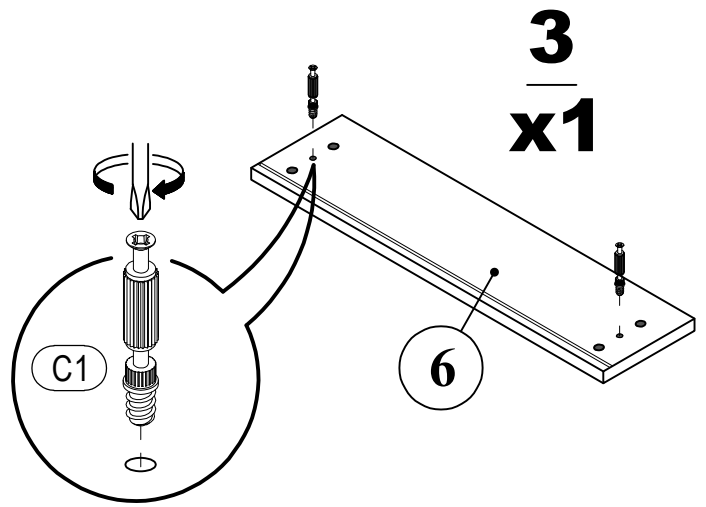
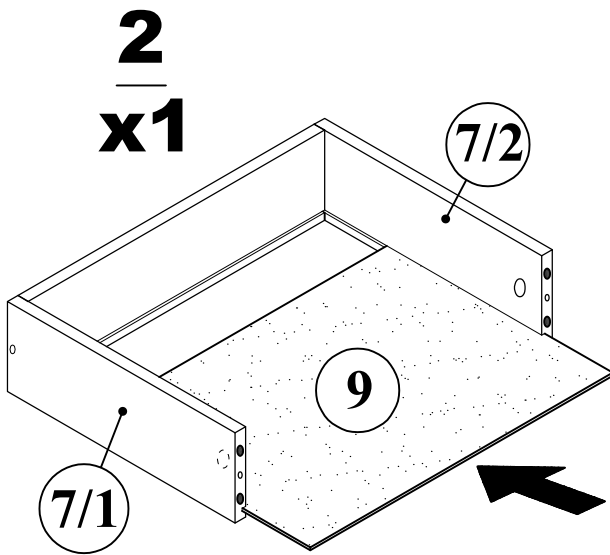
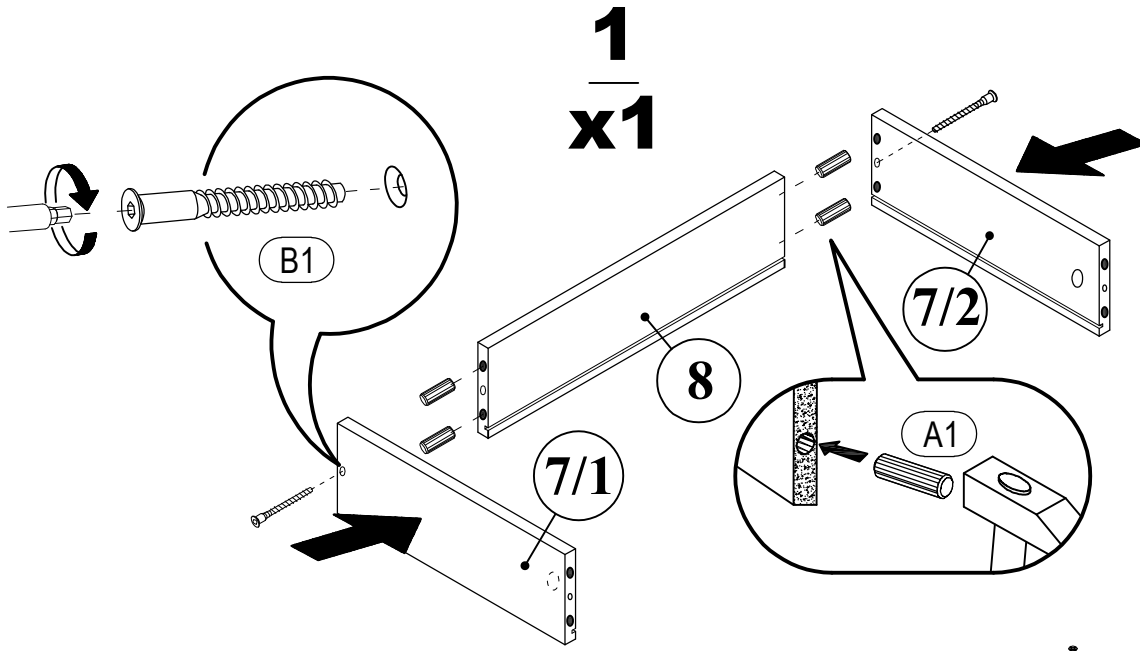


 <b>A1</b> 8*30mm x20	 <b>B</b> $\phi$ 12mm x3	 <b>B1</b> 6,3*50mm x3
 <b>C1</b> 6*43mm x13	 <b>D</b> $\phi$ 20mm x13	 <b>D1</b> 15/16 x13
 <b>E6</b> 3,5*16mm x8	 <b>E-5</b> 4,2*51mm x4	 <b>F1</b> 5,0*9mm x4
 <b>H2</b> RV-8 x1	 <b>H5</b> 8*50mm x4	 <b>H14</b> x2
 <b>M2</b> L-350mm x1		

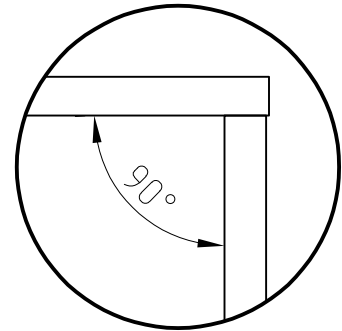
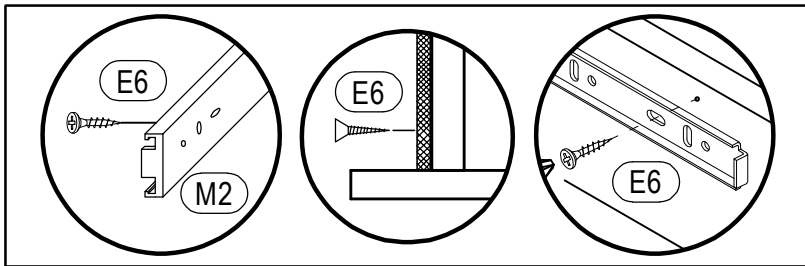
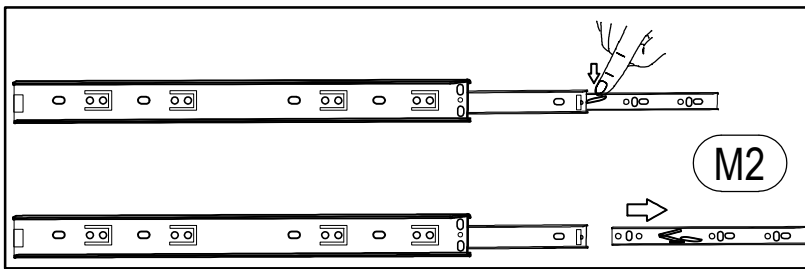
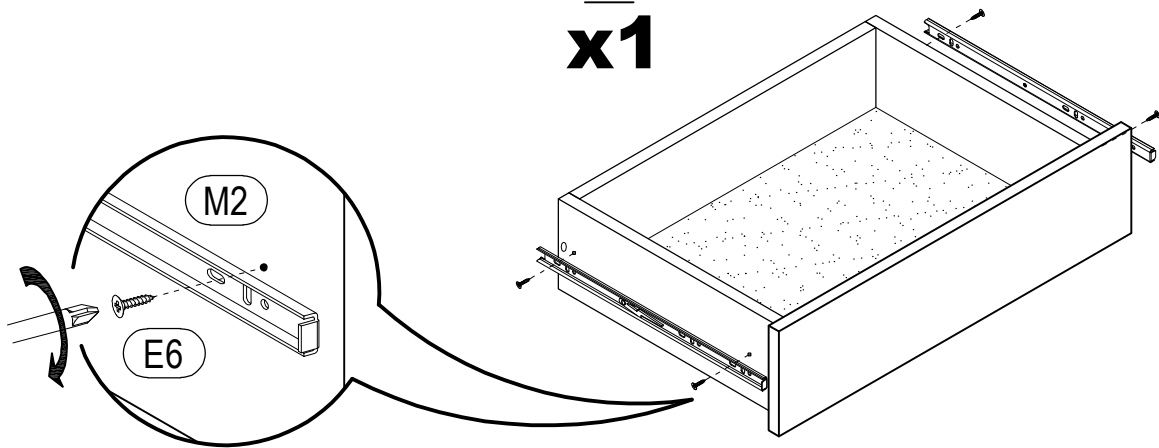
No	a*b	x	N°→...	No	a*b	x	N°→...
1/1	144x372	x1	1/1	7/1	350x120	x1	1/1
1/2	144x372	x1	1/1	7/2	350x120	x1	1/1
2	74x124	x1	1/1	8	456x120	x1	1/1
3	548x392	x1	1/1	9	465x343	x1	1/1
4	550x249	x1	1/1				
5	234x548	x1	1/1			x1	1/1
6	140x542	x1	1/1				



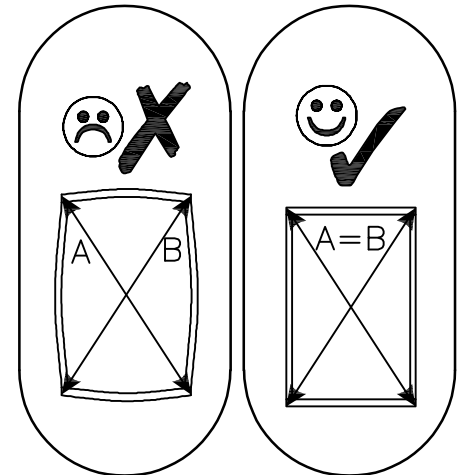
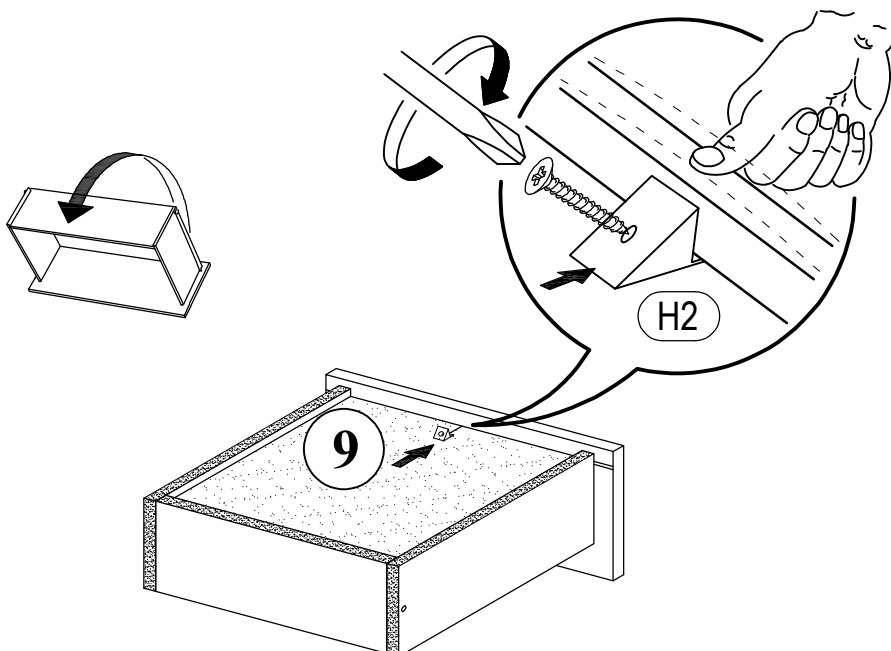




**5**  
**x1**



**6**  
**x1**



$a = b$



