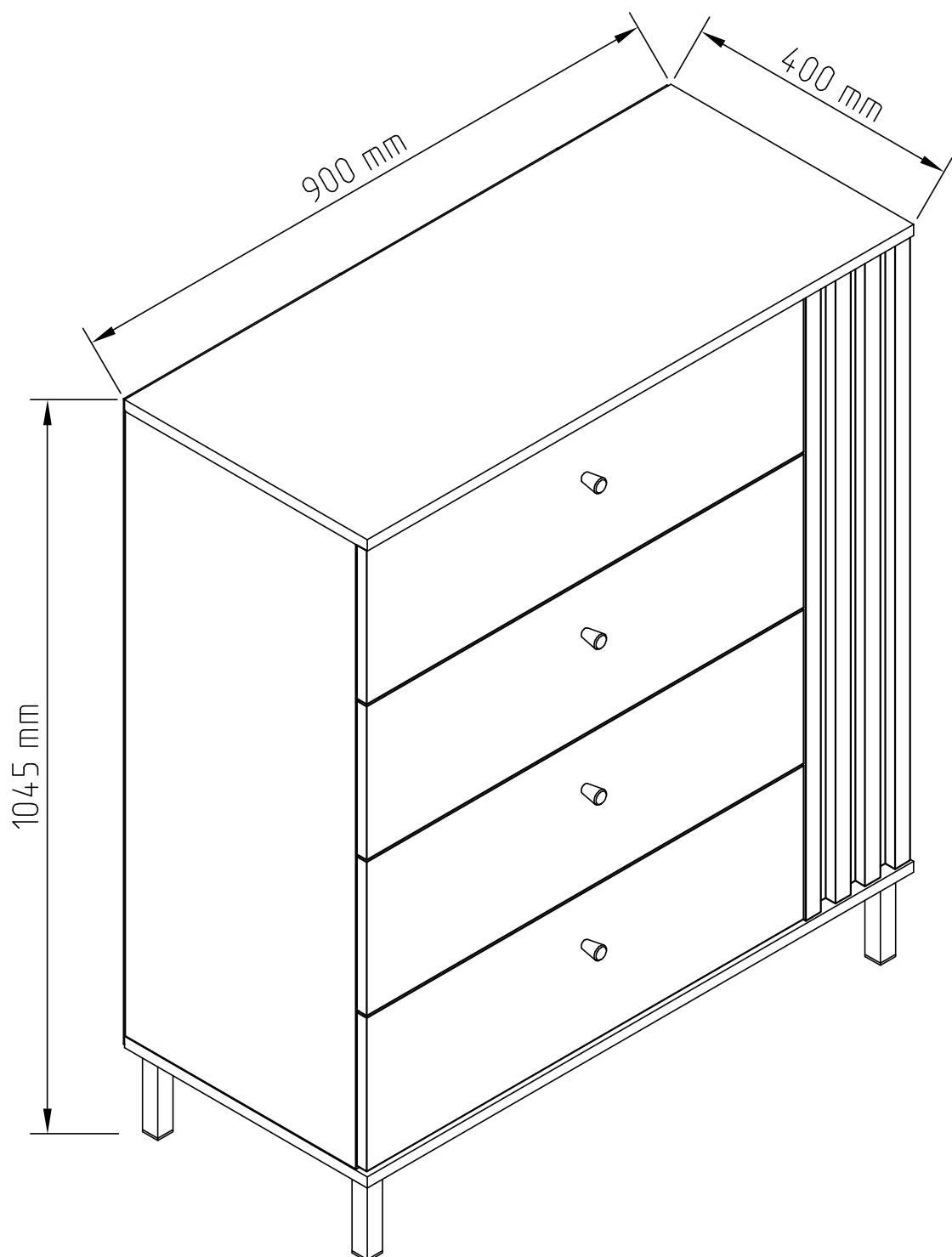
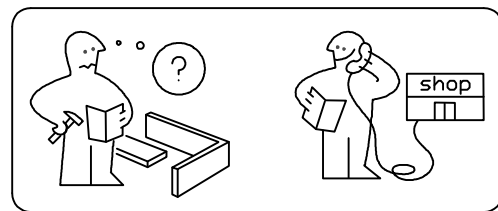
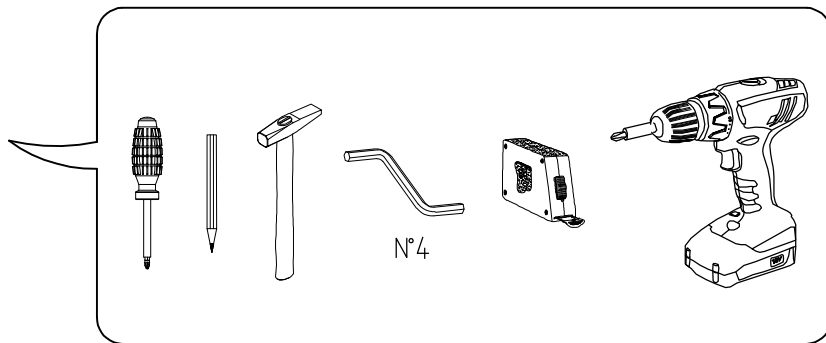
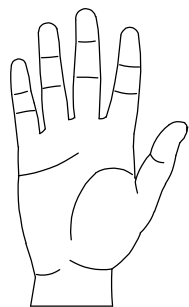
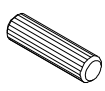

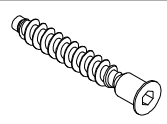
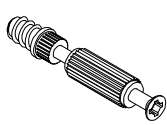
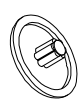
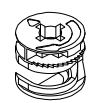

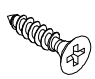
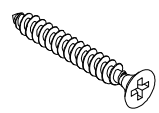
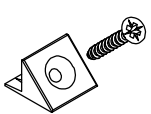
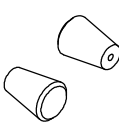
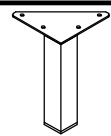


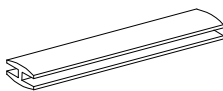
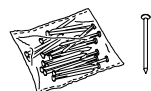


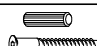
# Teo / Theo

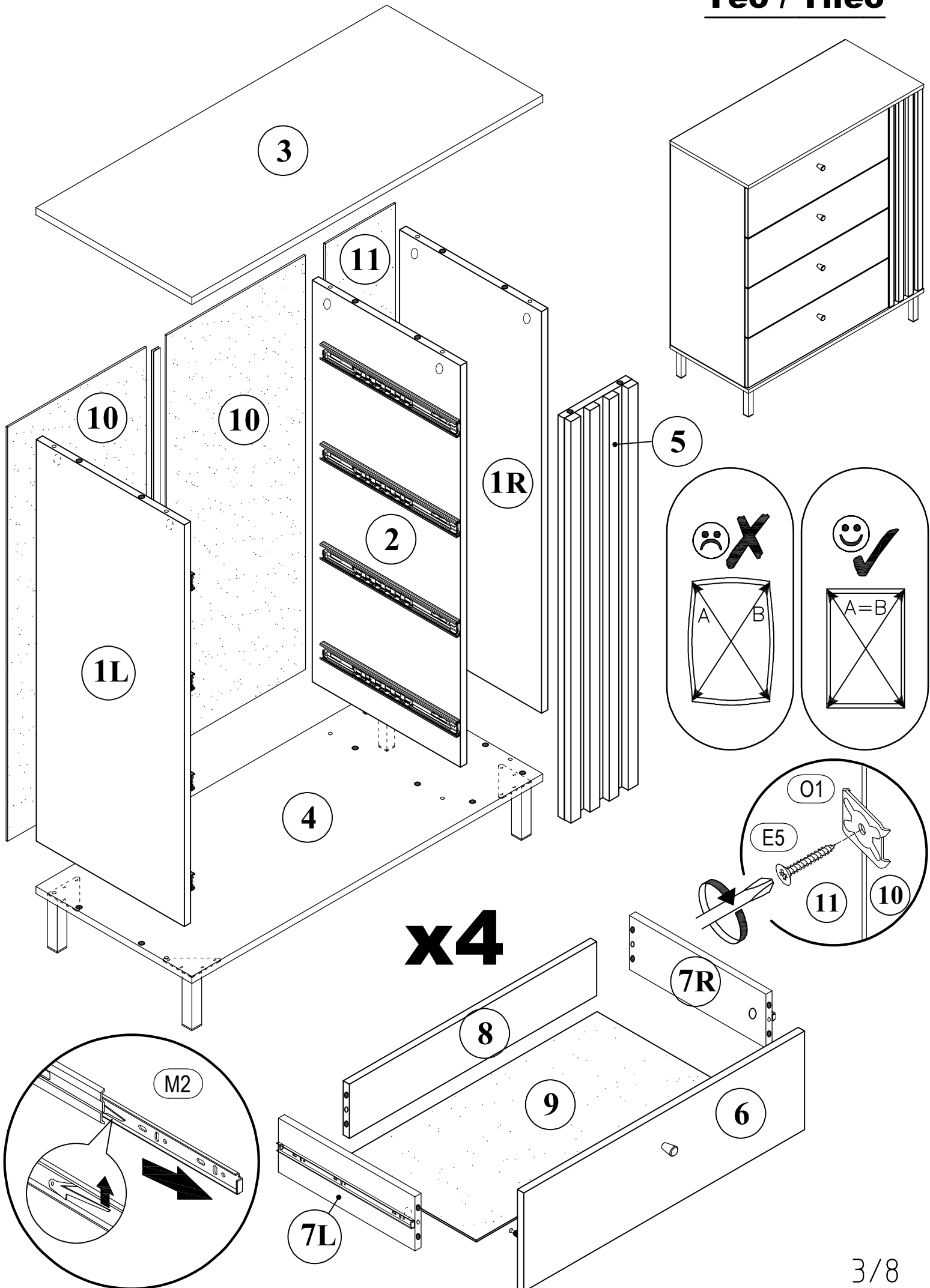
## КОМОД 4Ш / chest of drawers 4Dr

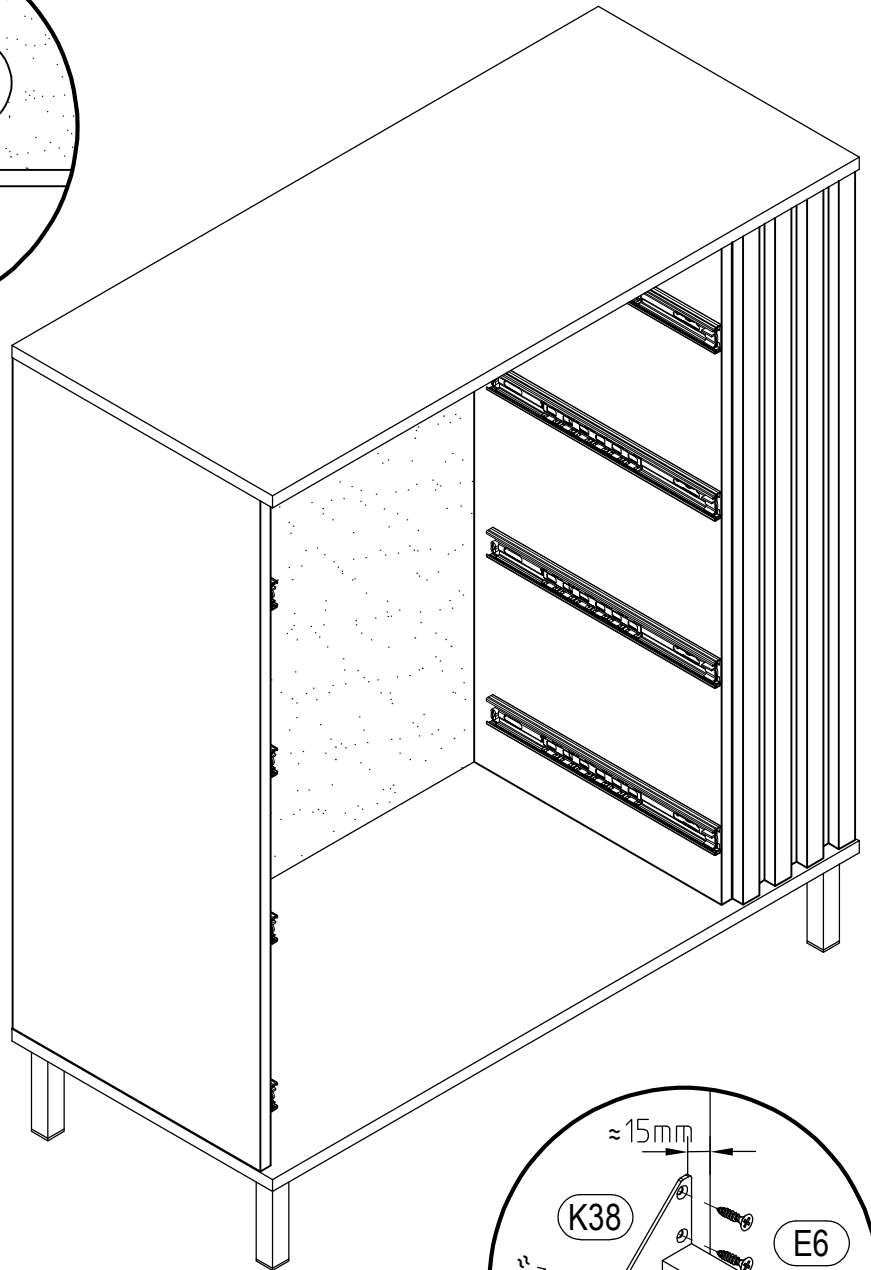
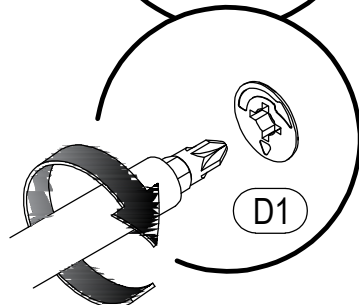
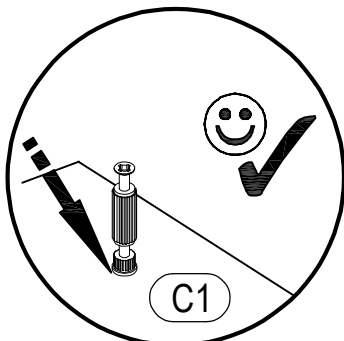
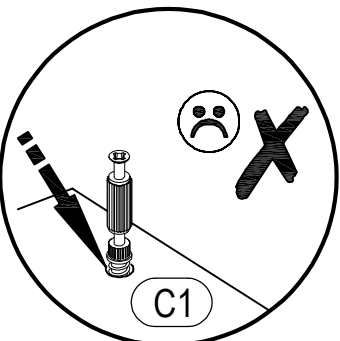
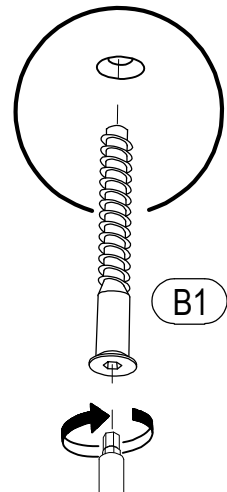
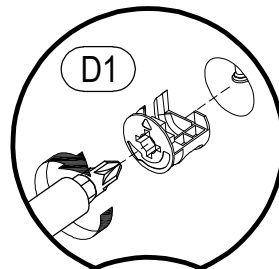
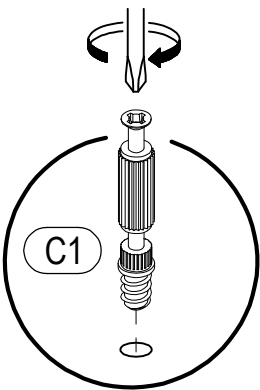
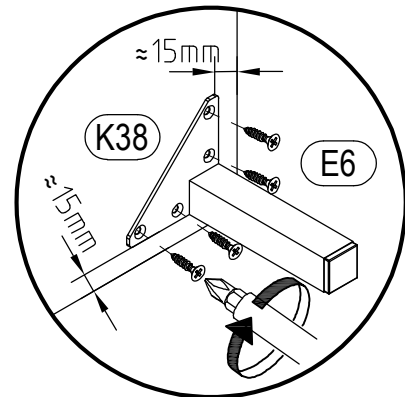
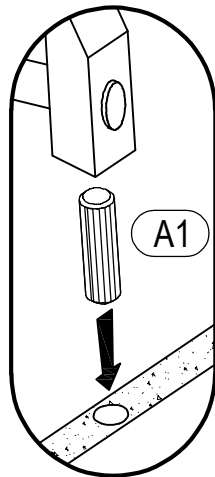
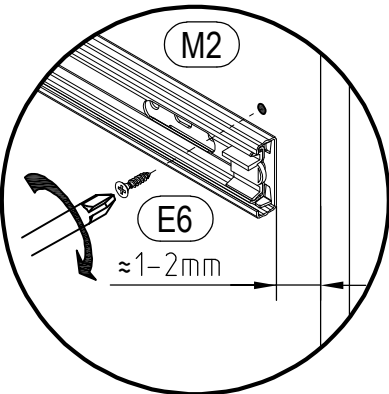
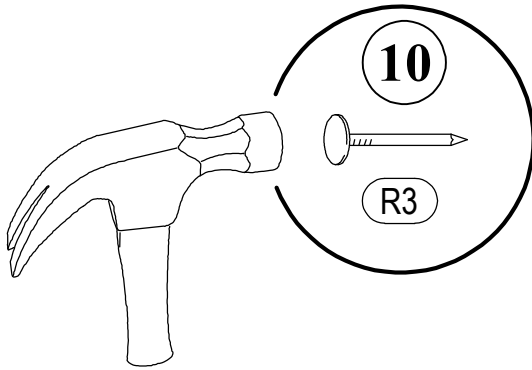
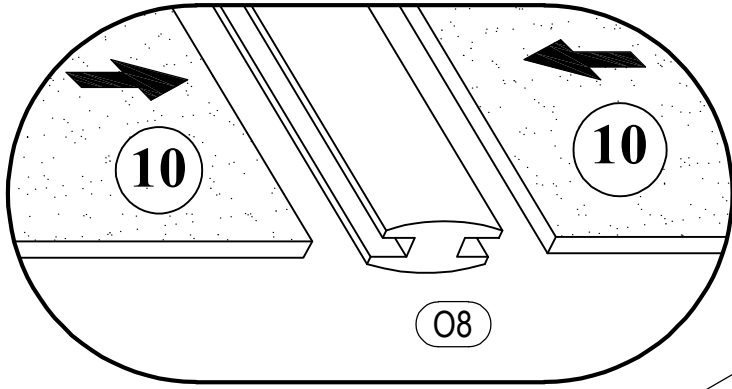




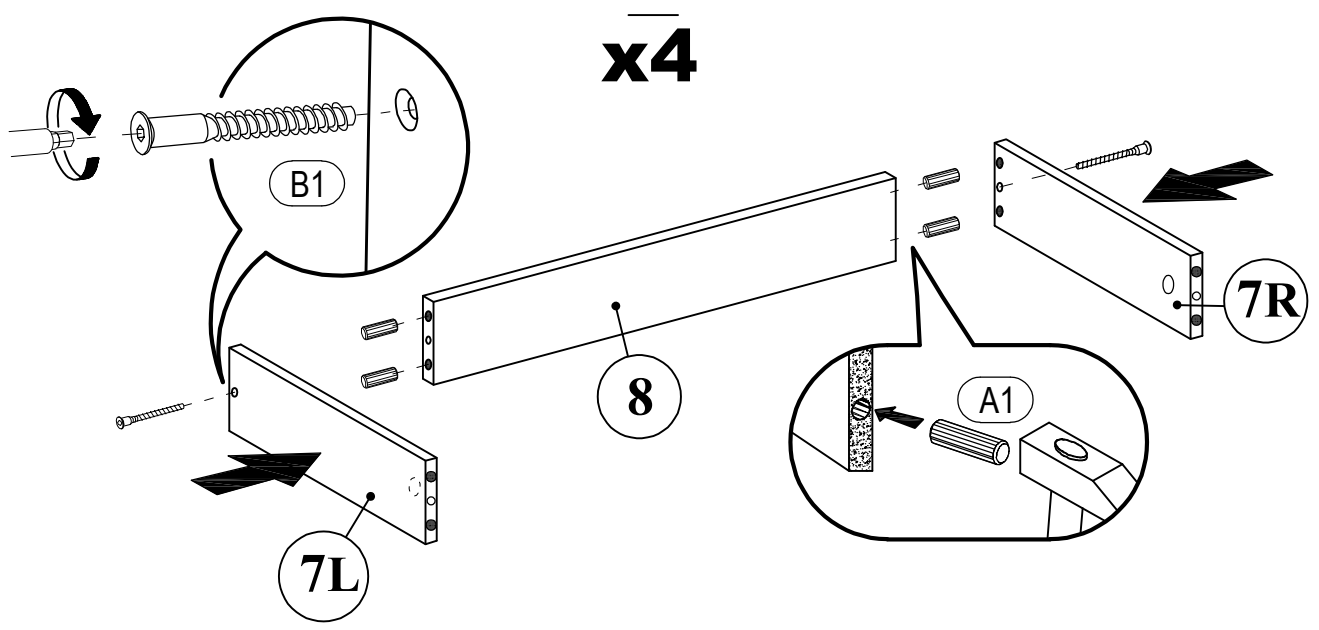
 <b>A1</b> 8*30mm x48	 <b>B</b> $\phi$ 12mm x14	 <b>B1</b> 6,3*50mm x14
 <b>C1</b> 6*43mm x14	 <b>D</b> $\phi$ 20mm x14	 <b>D1</b> 15/16 x14
 <b>E5</b> 3*20mm x5	 <b>E6</b> 3,5*16mm x48	 <b>E15</b> 4*30mm x4
 <b>H2</b> RV-8 x4	 <b>I47</b> x4	 <b>K38</b> h-120mm x4
 <b>M2</b> L-350mm x4	 <b>O1</b> x5	 <b>O8</b> L-891 mm x1
 <b>R3</b> 1.4*25mm 50g		

No	a*b	x	N°→...	No	a*b	x	N°→...
1L	892x380	x1	1/2	7L	350x120	x4	1/2
1R	892x364	x1	1/2	7R	350x120	x4	1/2
2	892x380	x1	1/2	8	634x120	x4	1/2
3	900x400	x1	2/2	9	663x353	x4	1/2
4	900x400	x1	2/2	10	920x356	x2	2/2
5	892x174	x1	2/2	11	920x180	x1	2/2
6	720x219	x4	2/2			x1	1/2

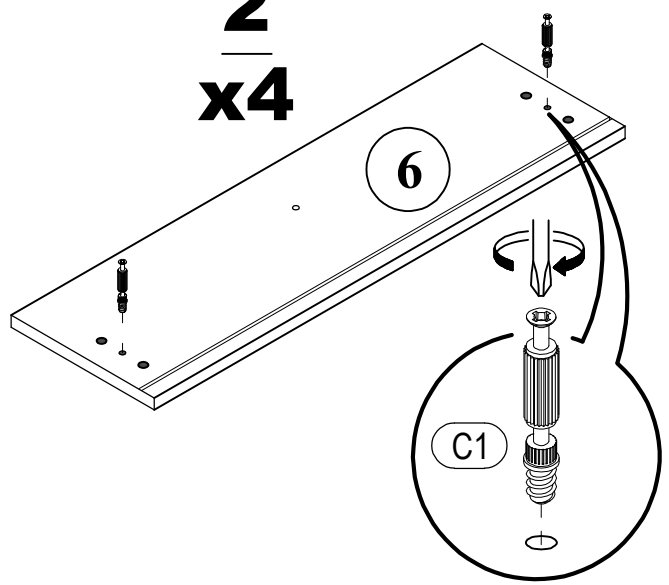




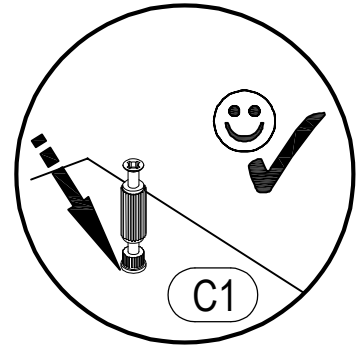
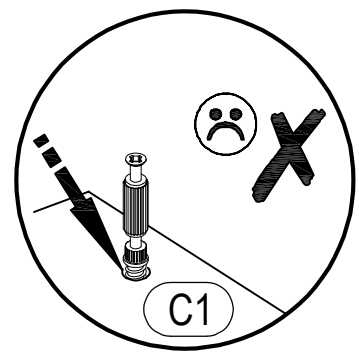
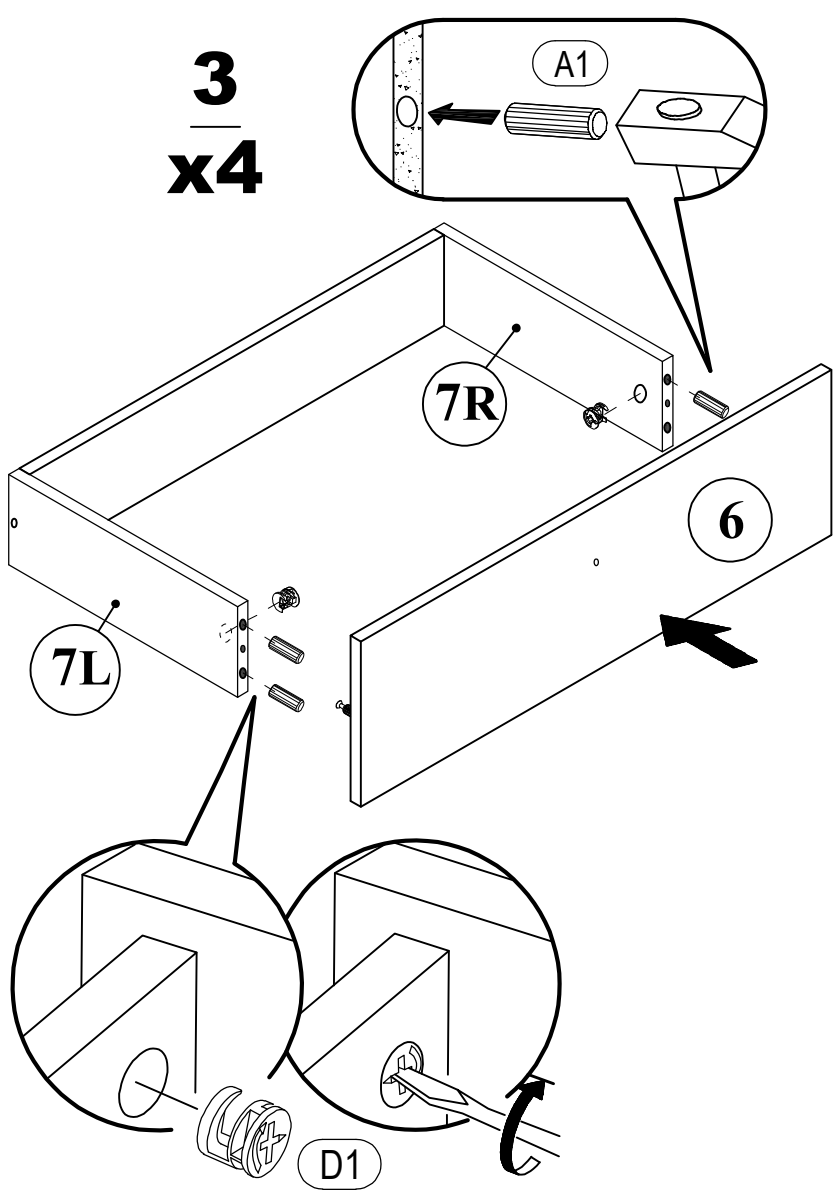
**1**  
**x4**



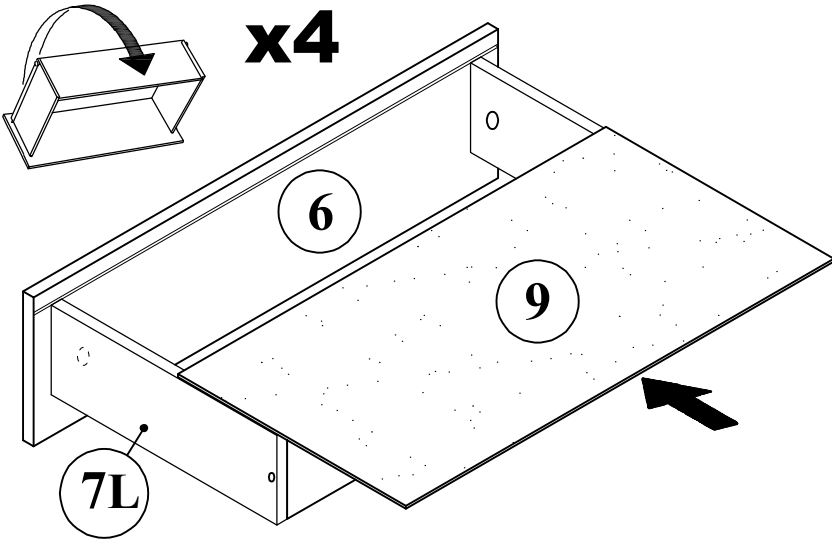
**2**  
**x4**



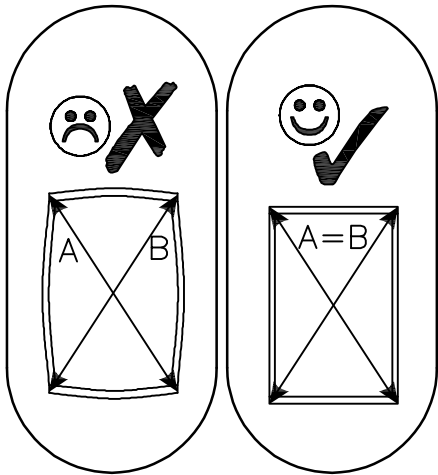
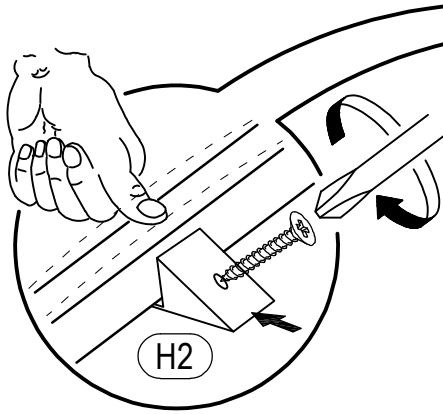
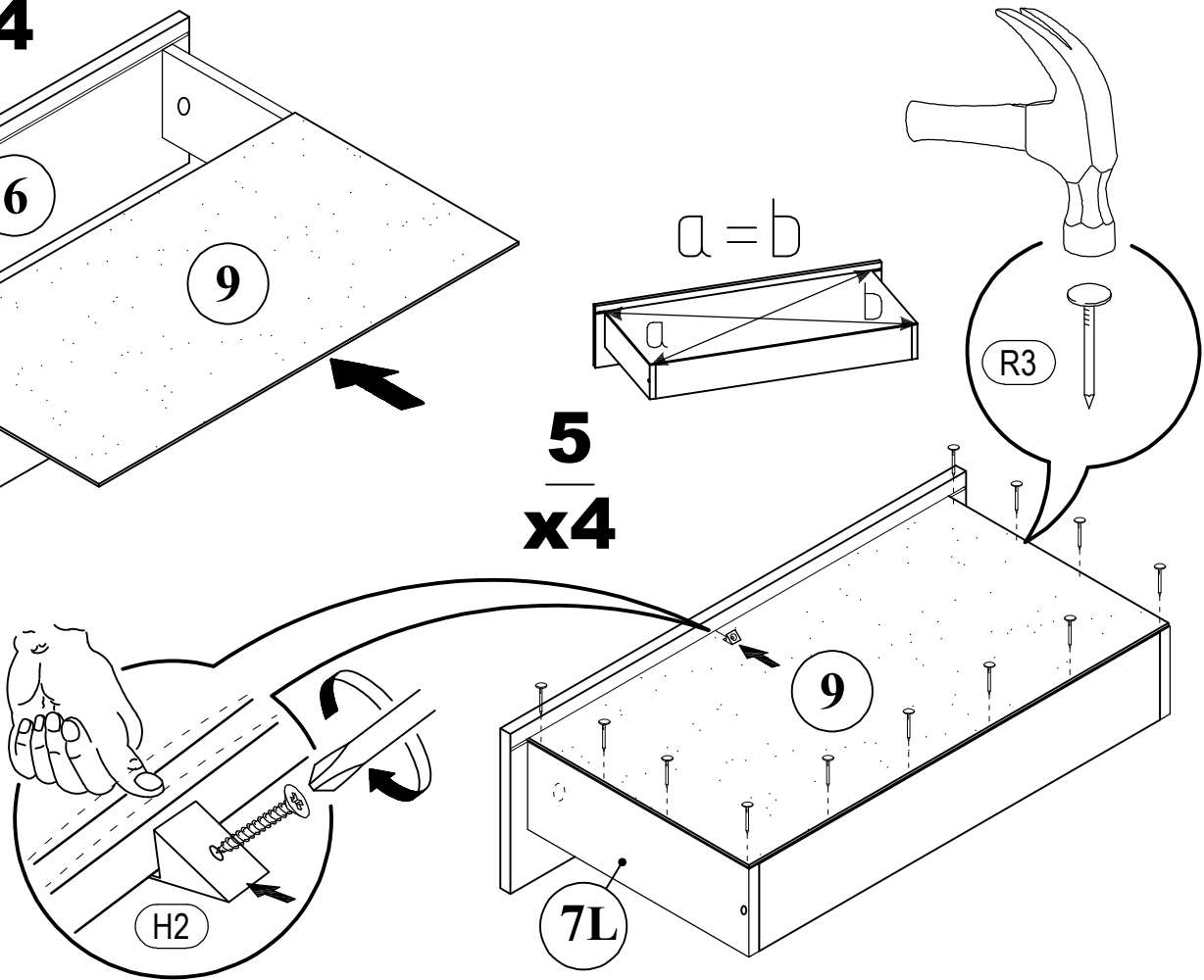
**3**  
**x4**



4  
x4



5  
x4



6  
x4

