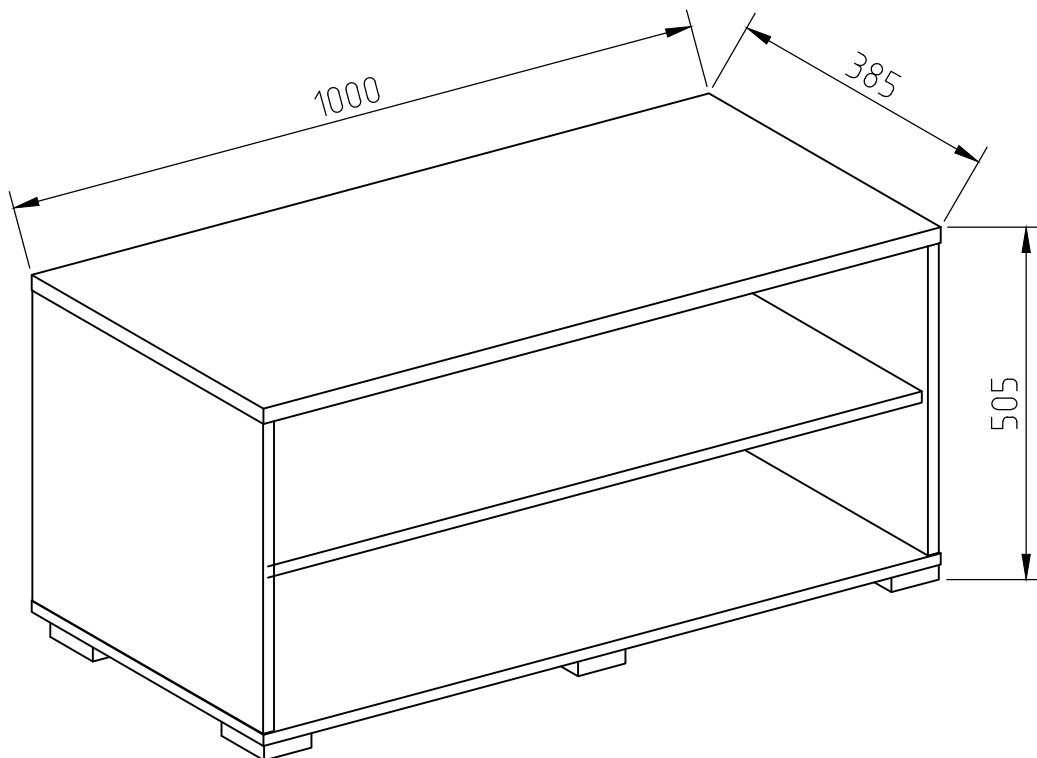
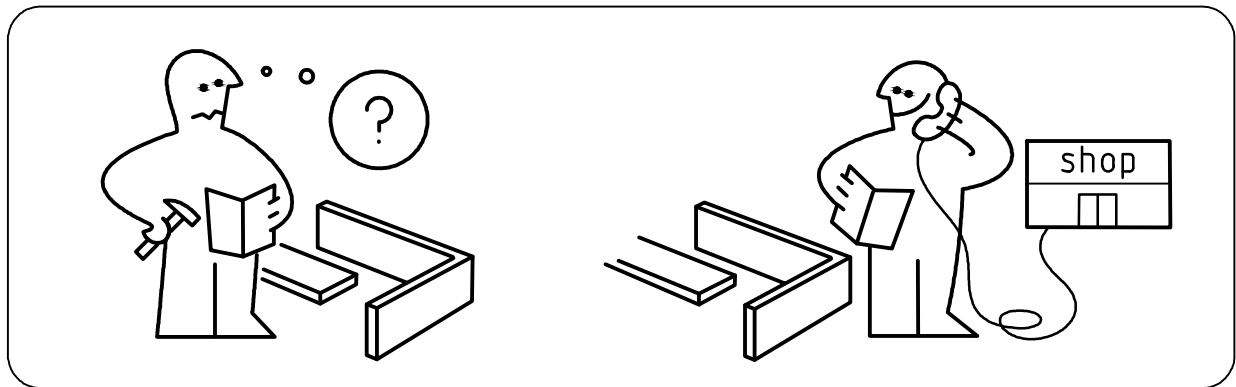
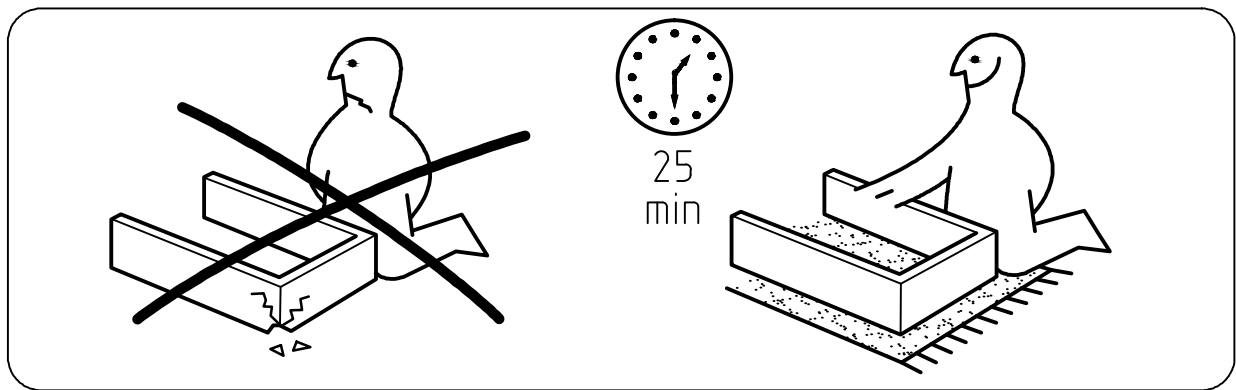
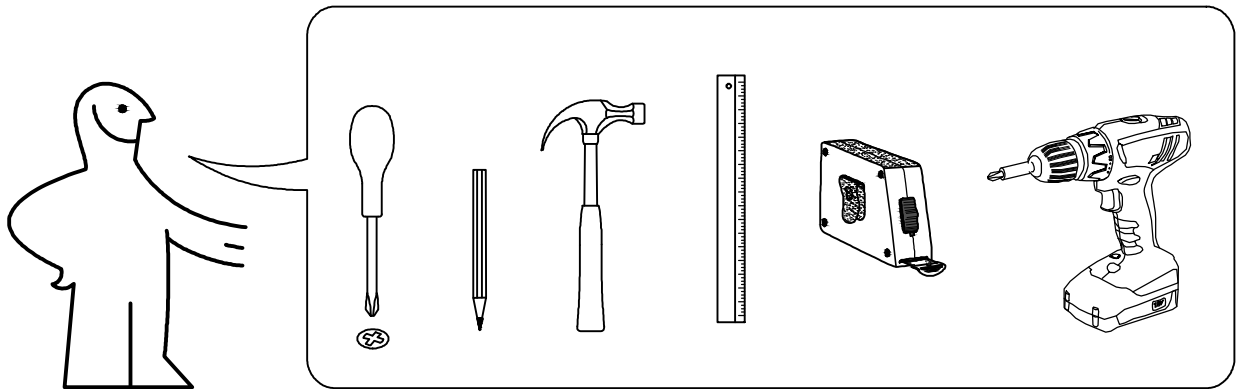


BIANKO




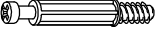


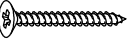
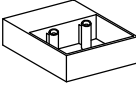
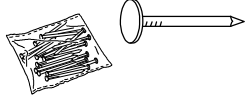
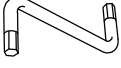
OPEN STAND

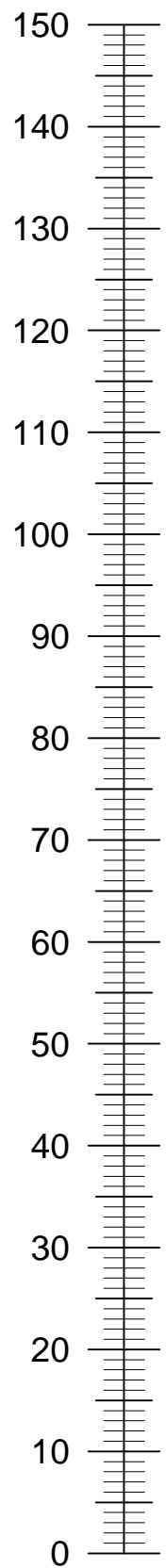


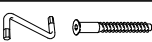
*Bianco
open stand*



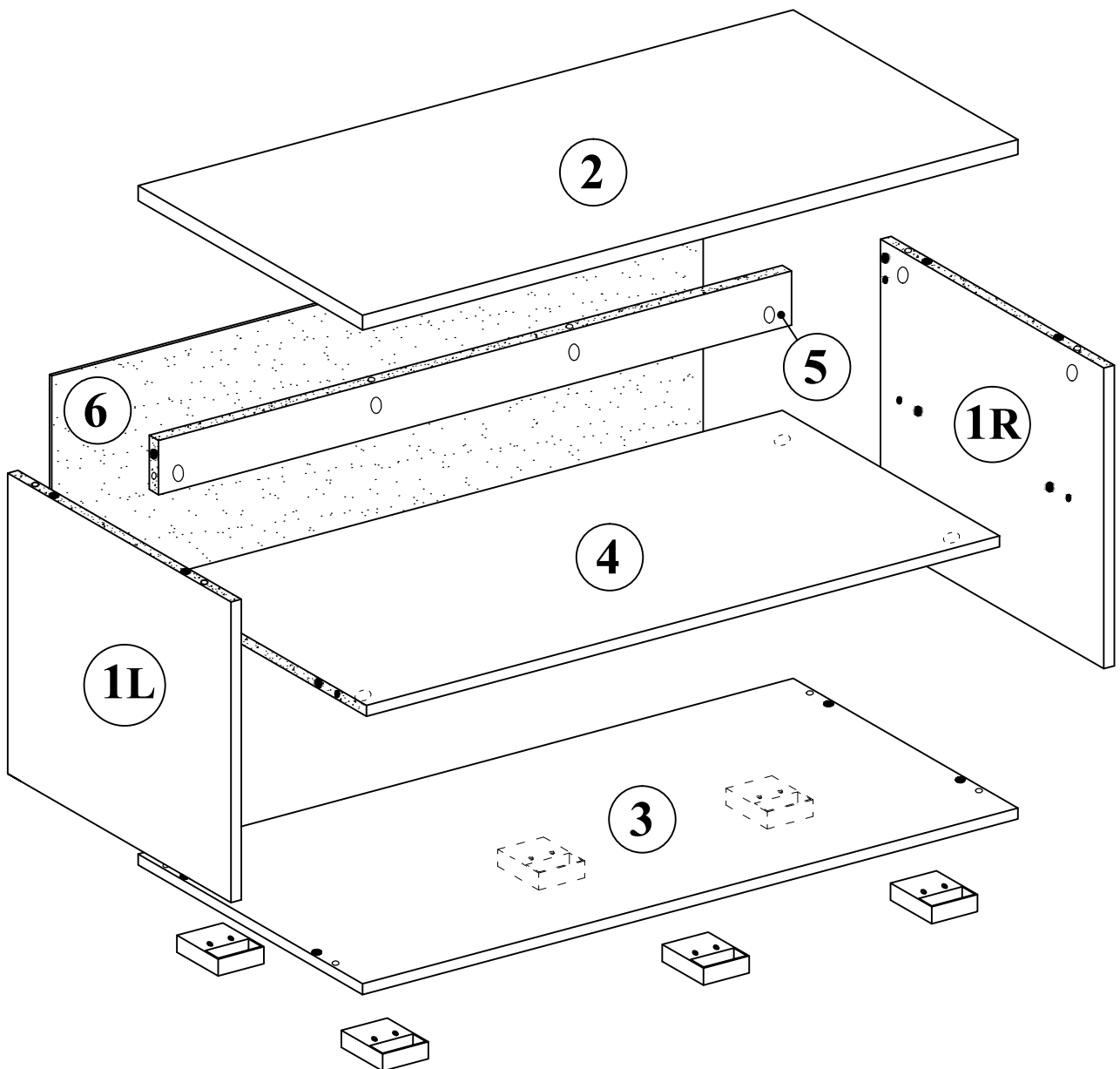
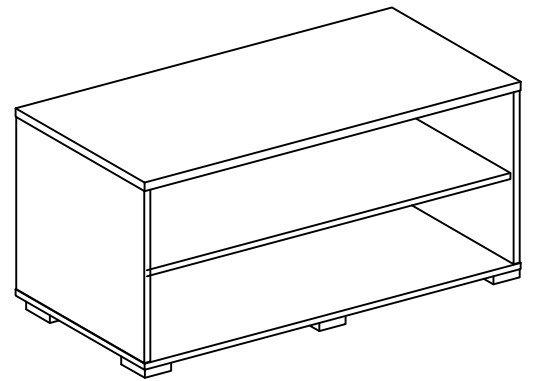
Bianco open stand

 (A1) 8*30mm x14	 (B) x4	 (B1) 6,3*50mm x4
 (C1) 5*30mm x12	 (D) x12	 (D1) 16mm x12
 (E10) 4*35mm x12	 (K4) x6	 (Q1) 1.4*25MM 0.01kg
 (R4) N°4 x1		






	a*b	x	N°→...
1R	443x380	x1	1
1L	443x380	x1	1
2	1000x382	x1	1
3	1000x382	x1	1
4	966x370	x1	1
5	966x80	x1	1
6	997x477	x1	2
		x1	1

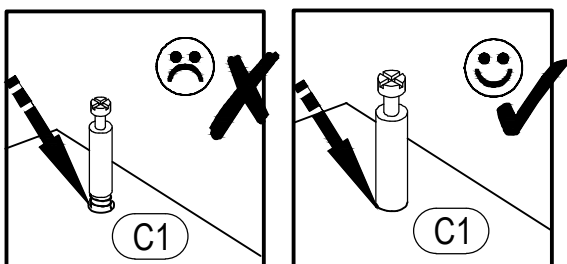
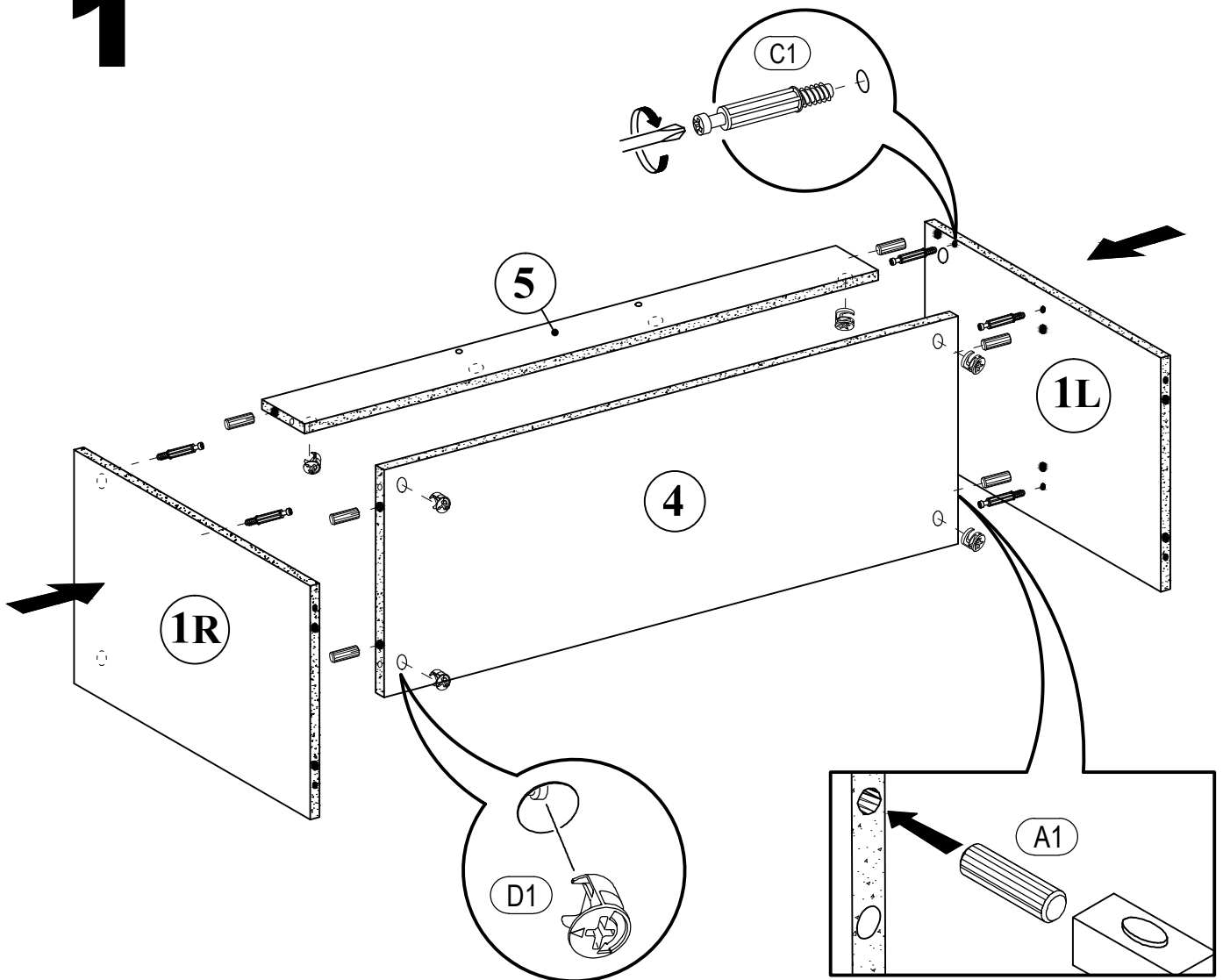
Bianco
open stand



Bianco
open stand





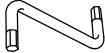
 A1 8*30mm x6	 C1 5*30mm x4	 D1 16mm x6
---	---	---

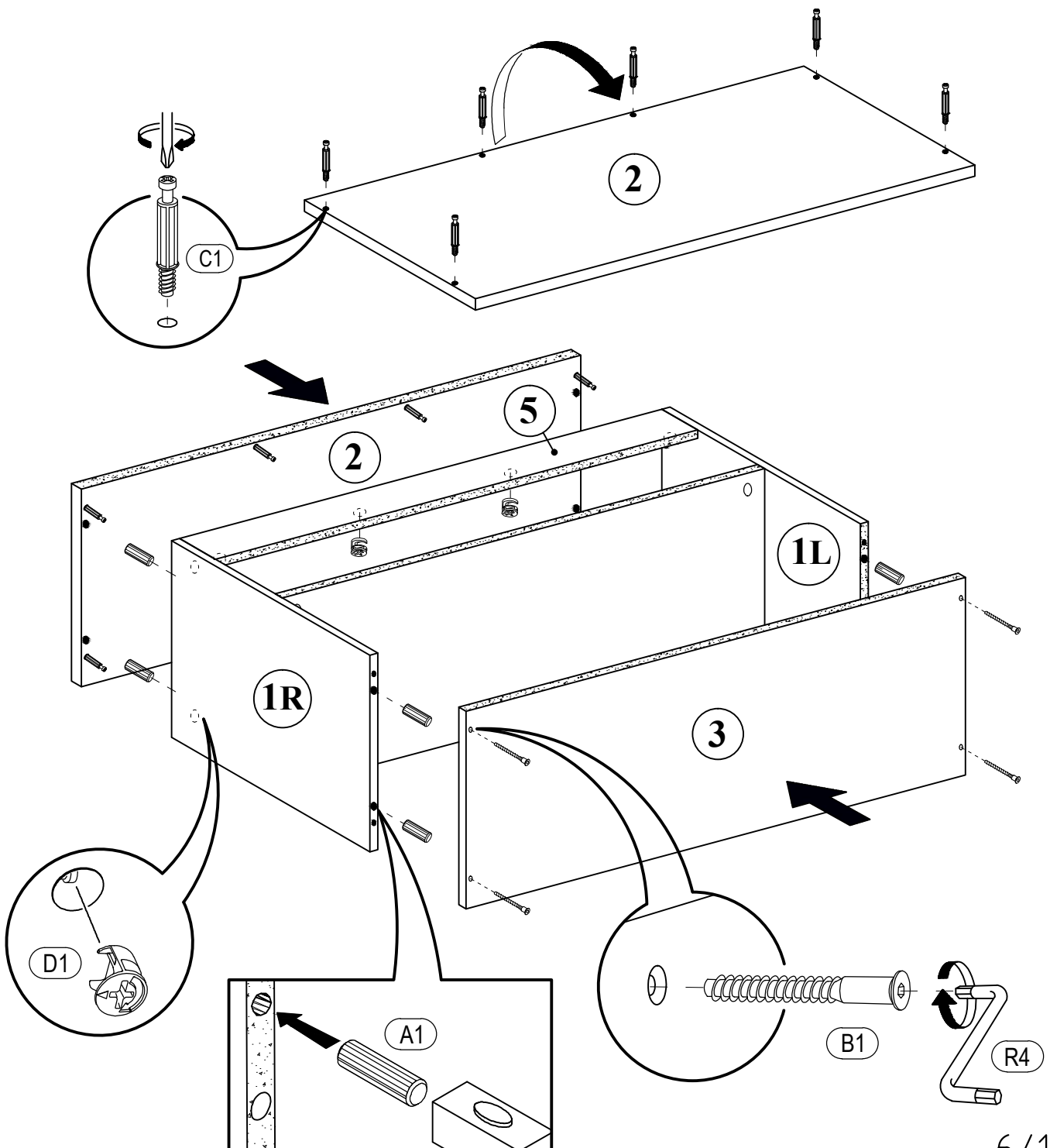
1



Bianco
open stand

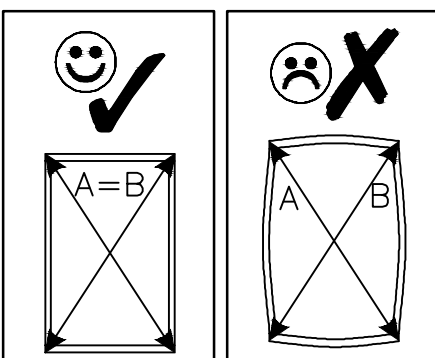
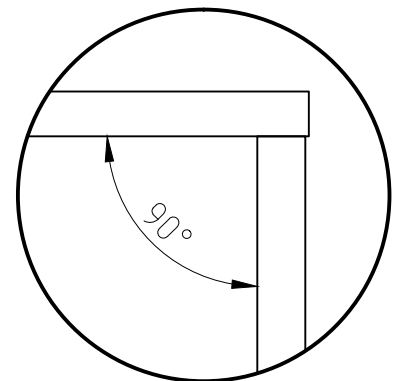
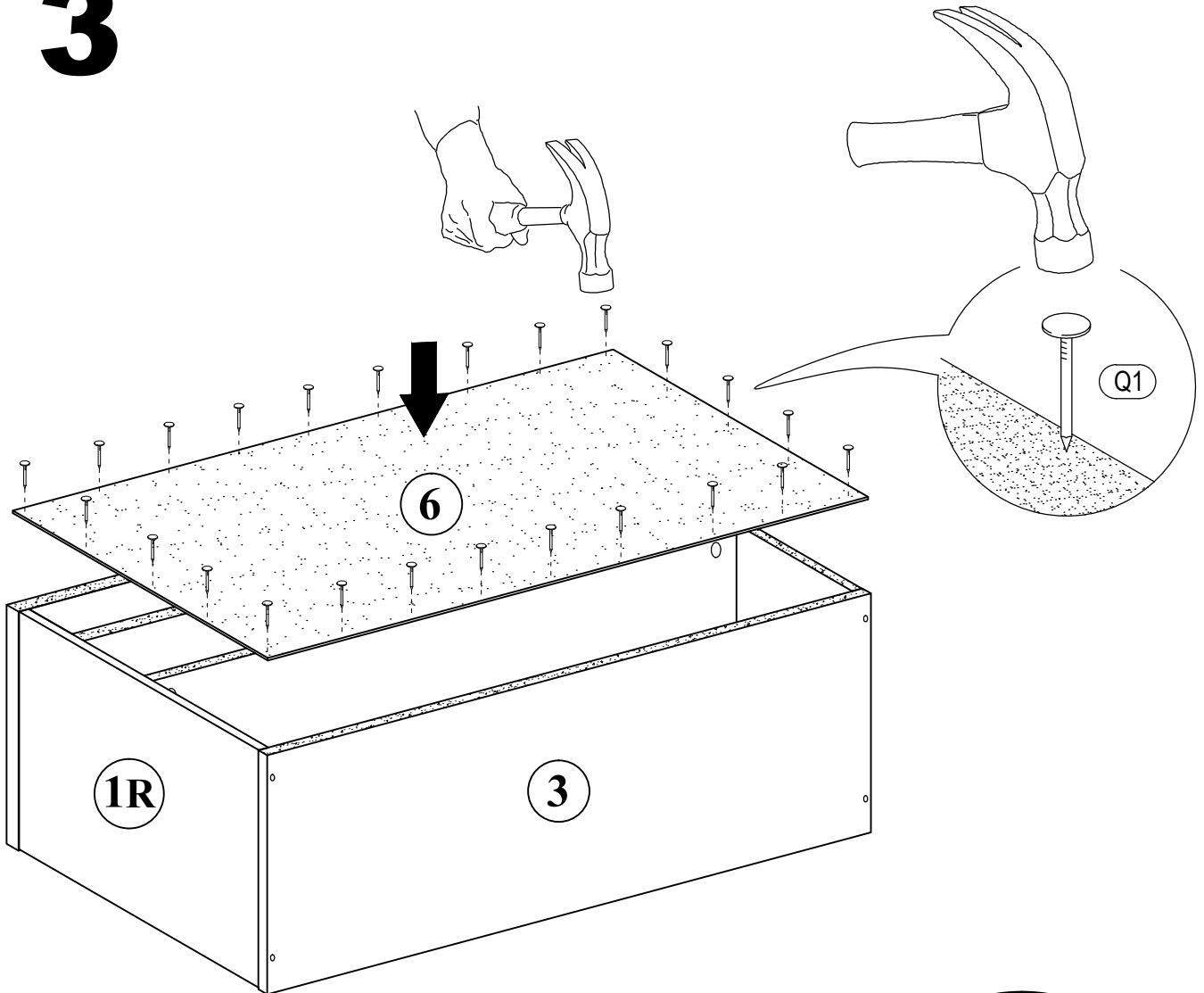
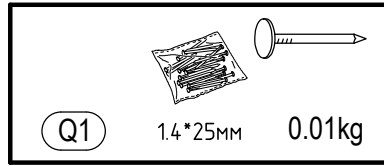
2

 A1 8*30mm x8	 C1 5*30mm x6	 D1 16mm x6
	 B1 6,3*50mm x4	 R4 x1


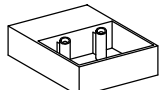


Bianco
open stand

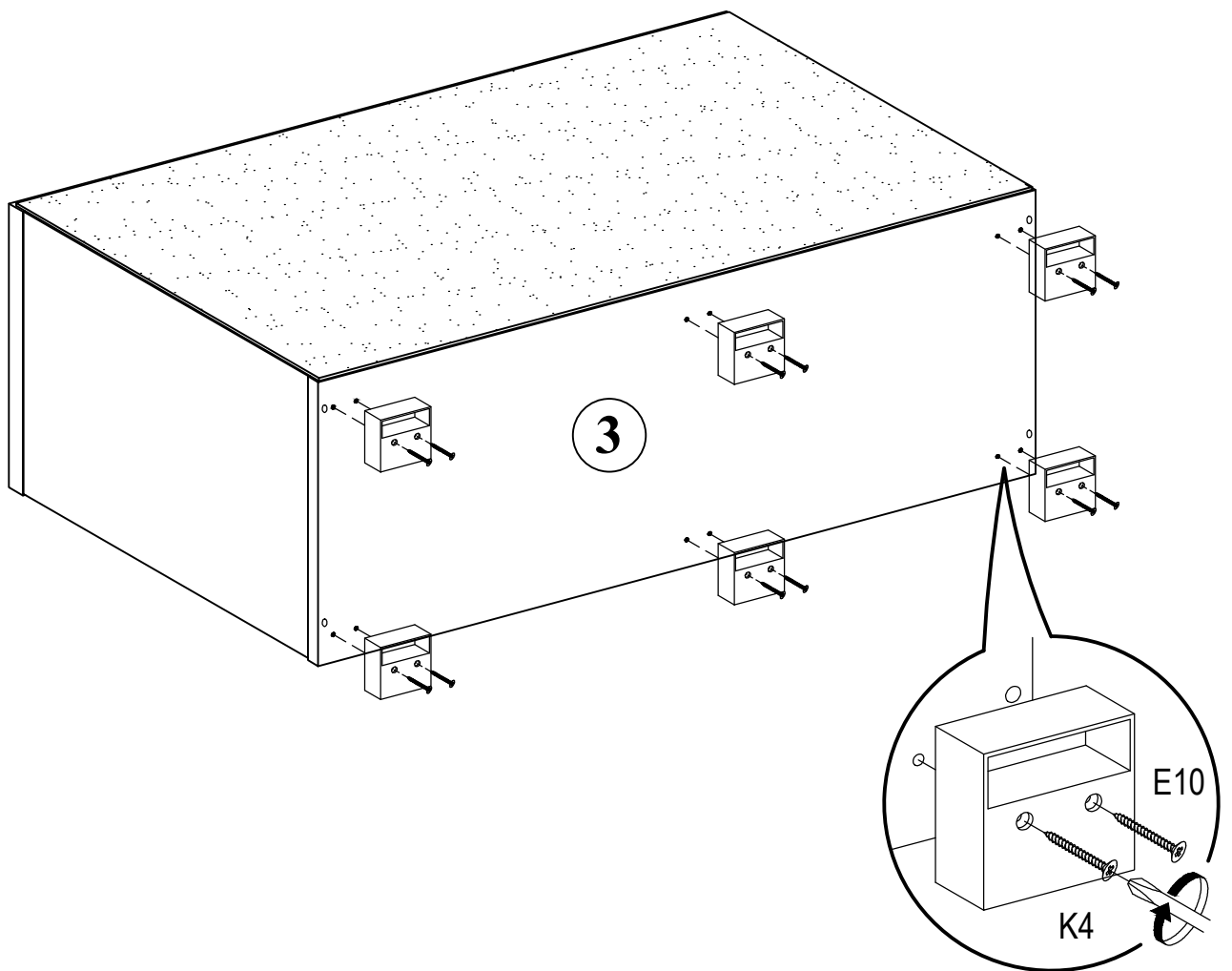
3



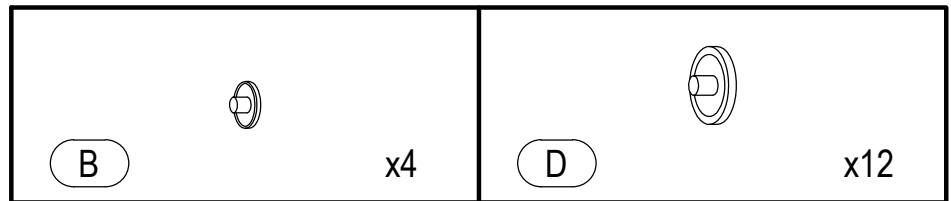
Bianco
open stand

 E10 4*35mm x10	 K4 x5
---	--

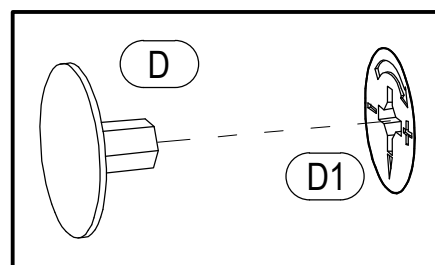
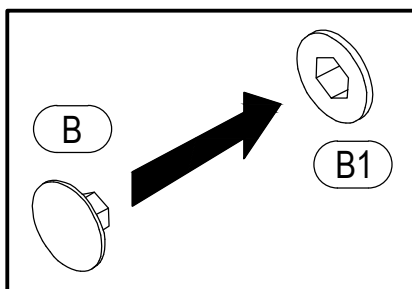
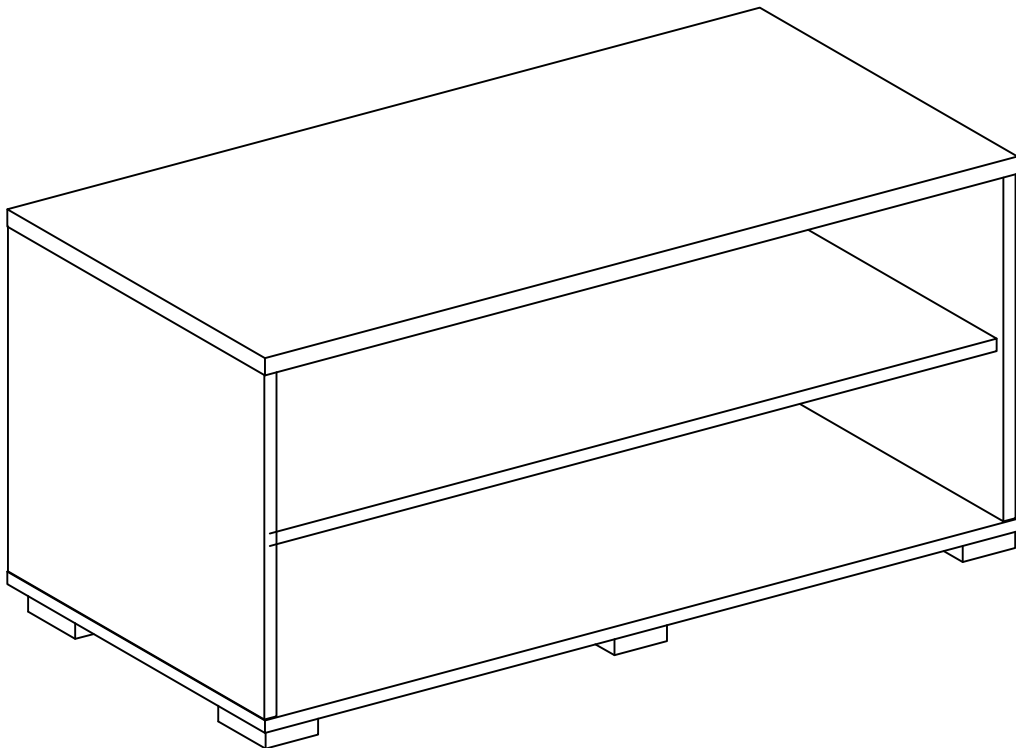
4



Bianko
open stand

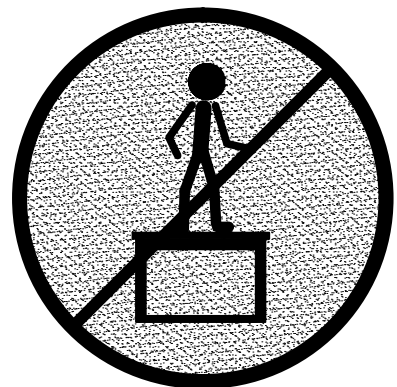
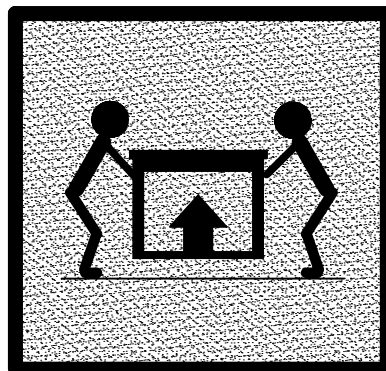
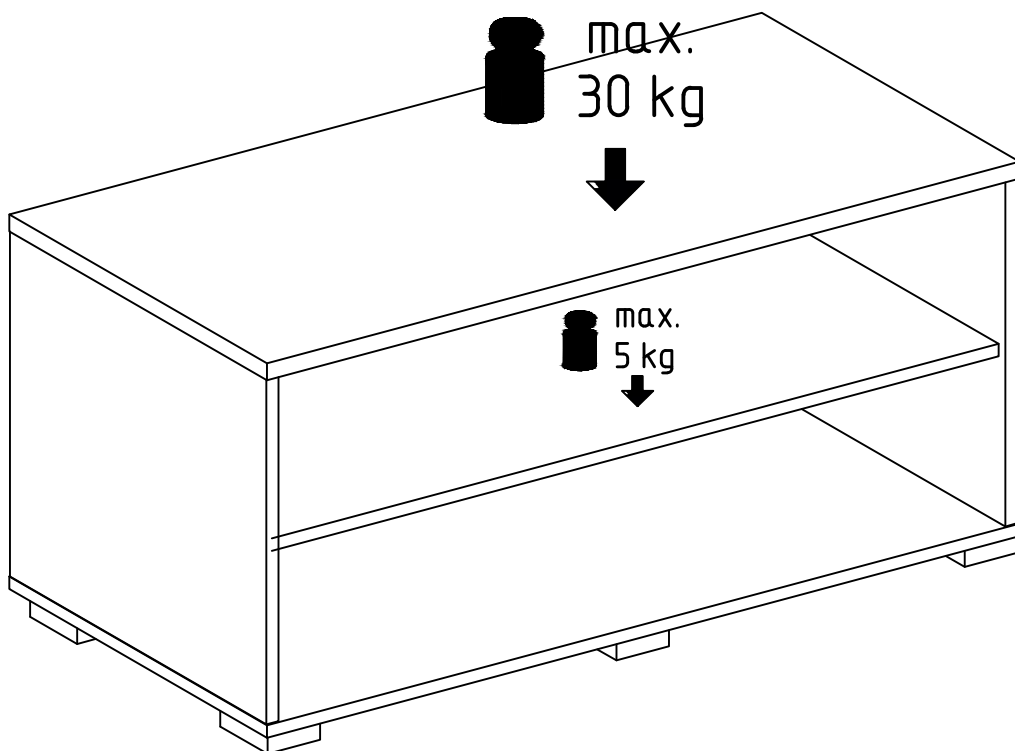
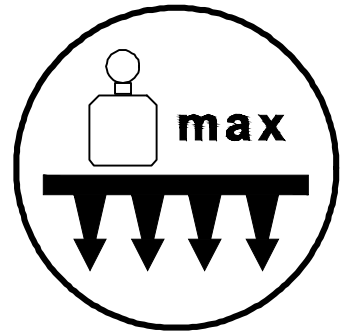


5



Bianko
open stand

6



*Bianko
open stand*

