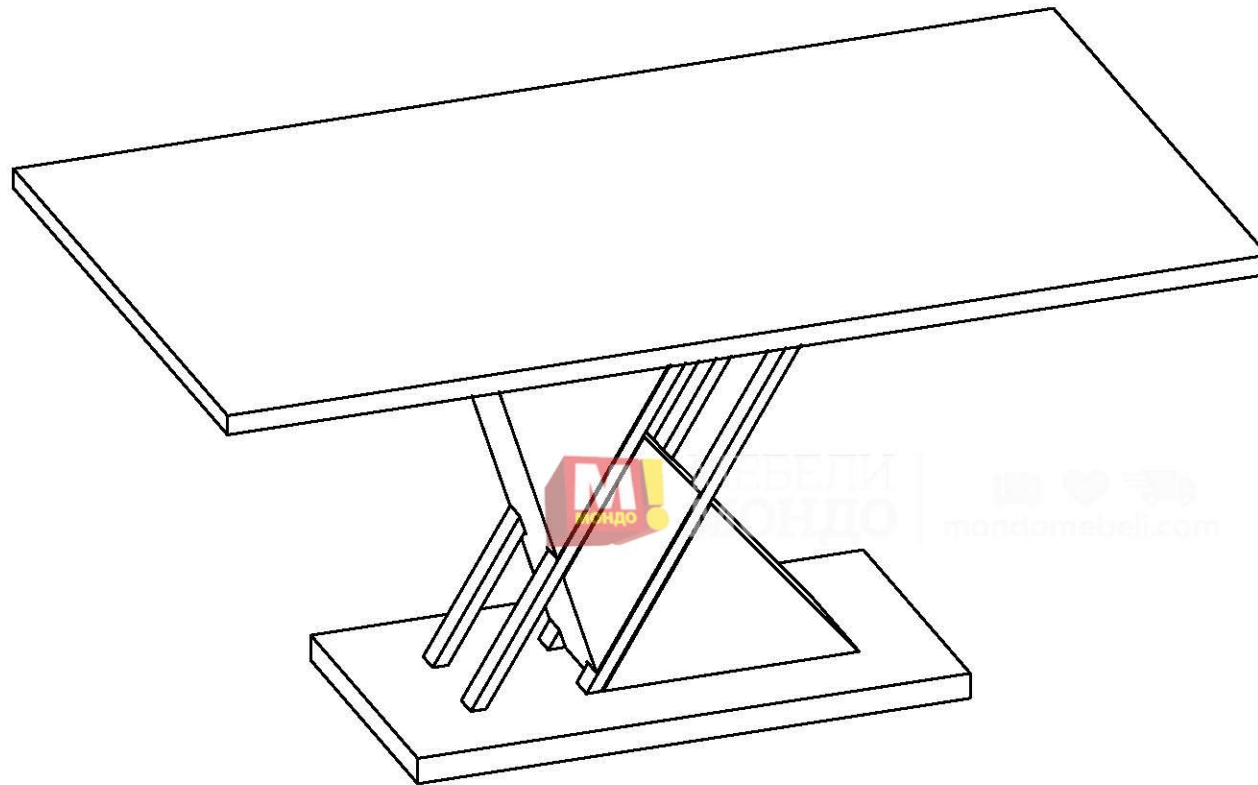
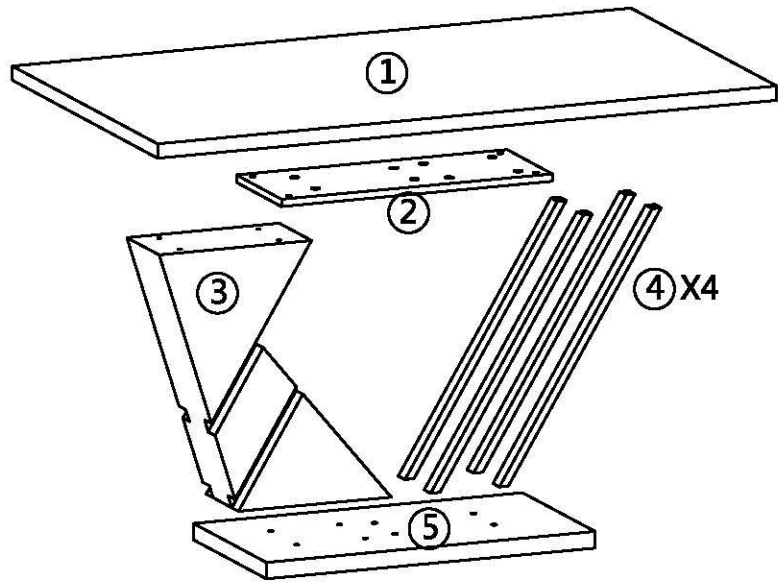
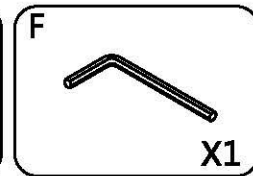
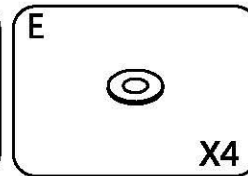
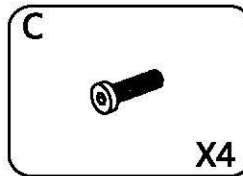
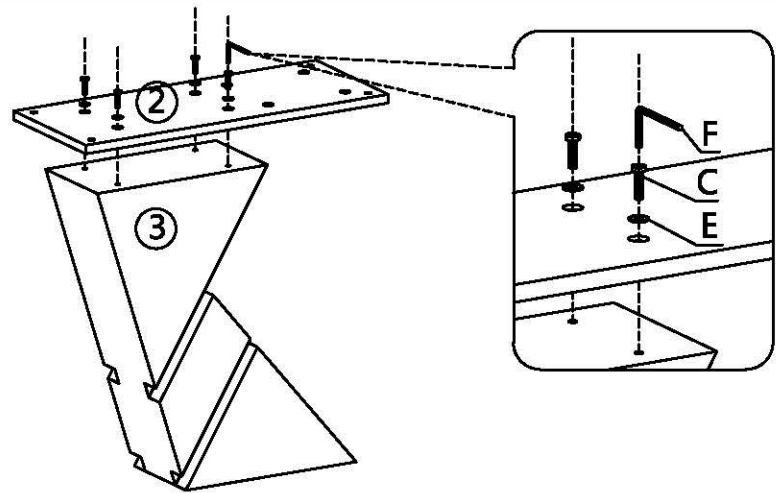


Assembly Instructions

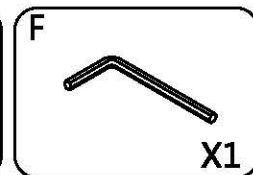
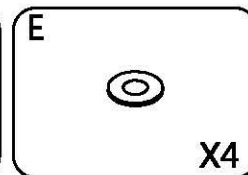
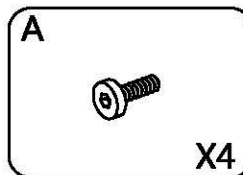
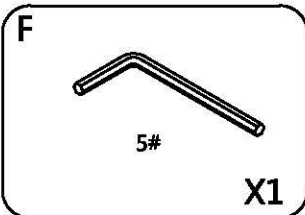
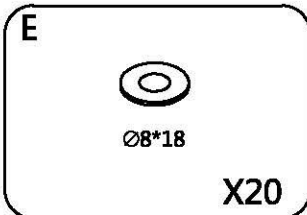
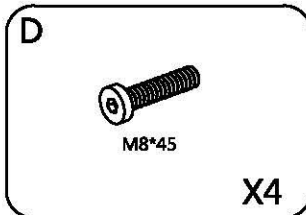
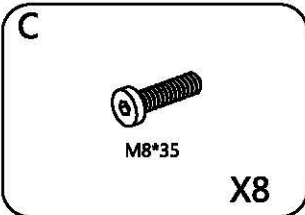
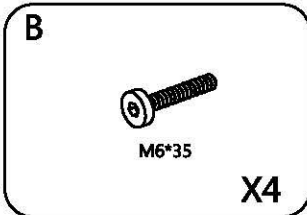
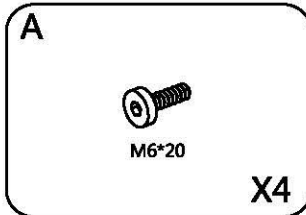
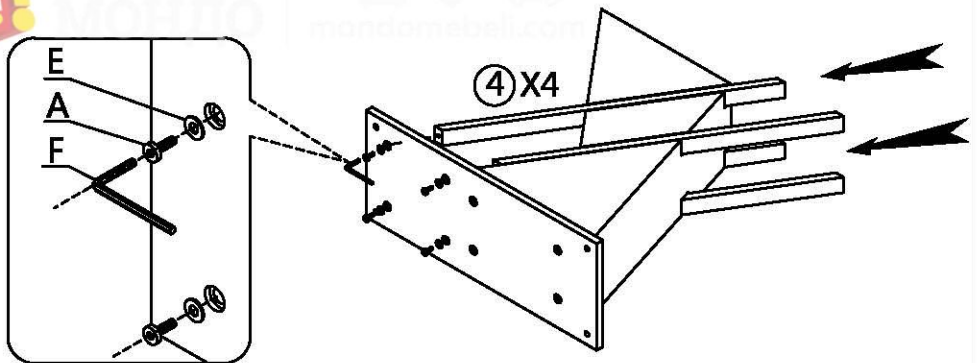




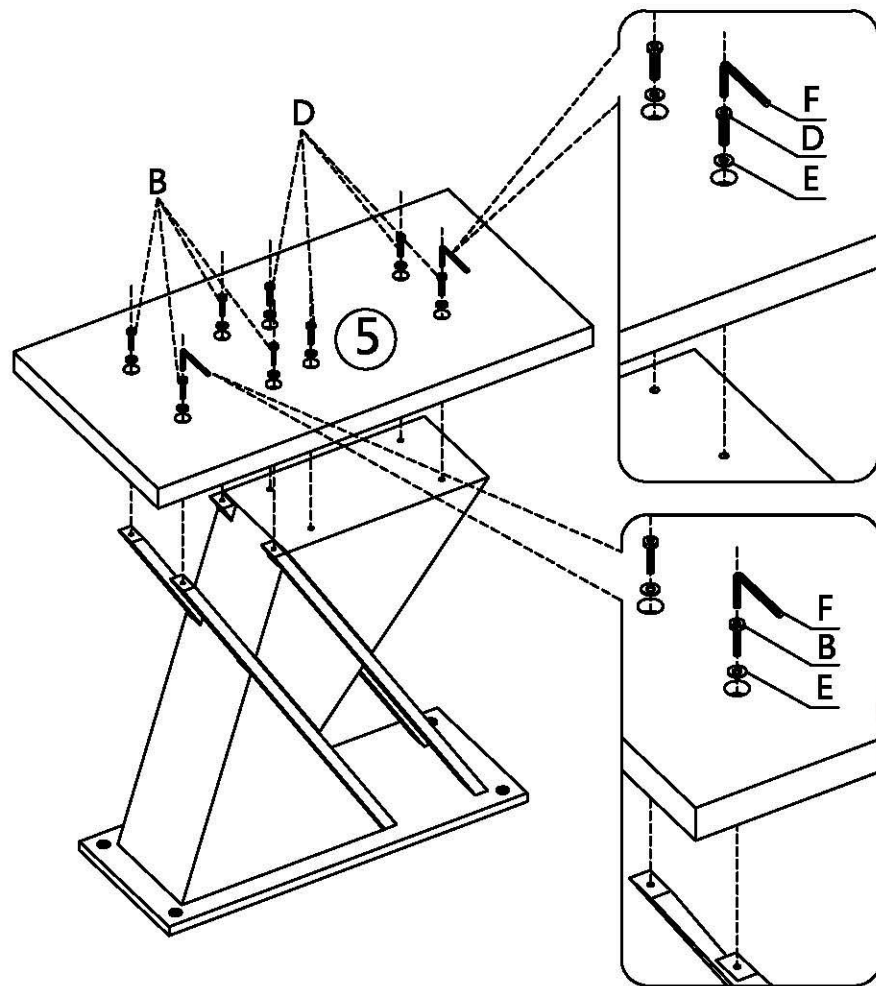
1




2




3




- B**




X4
- D**



X4
- E**

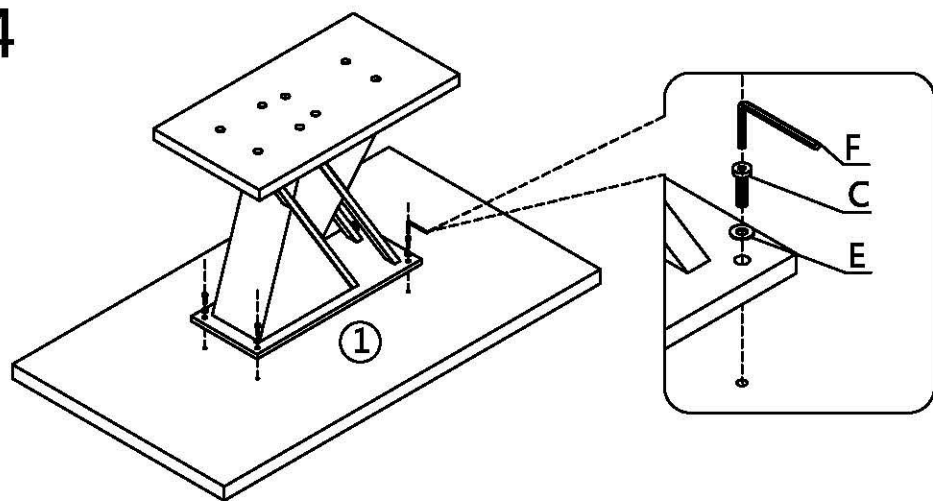


X8
- F**




X1


4




- C**



X4
- E**

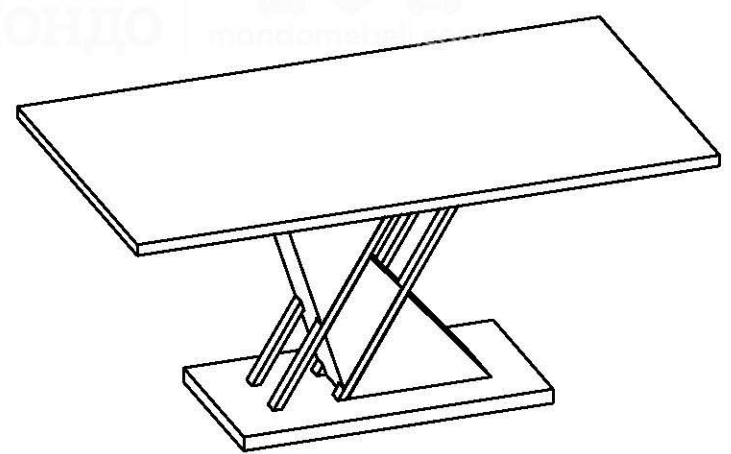


X4
- F**



X1

5



OK