

ASSEMBLING INSTRUCTION

1 X1PC



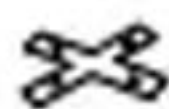
2 X1PC



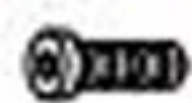
3 X1PC



4 X1PC



A X8PCS



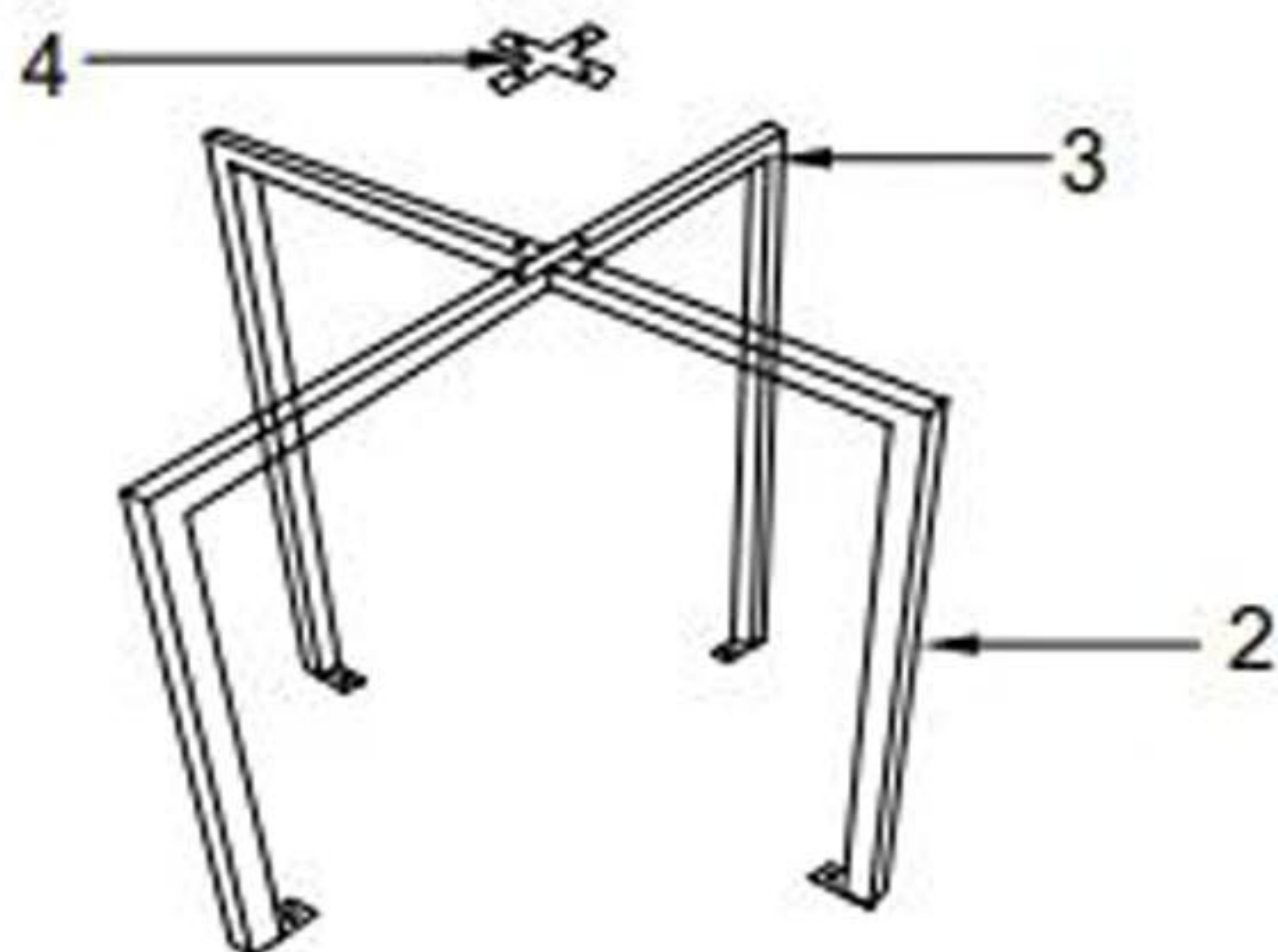
B X4PCS



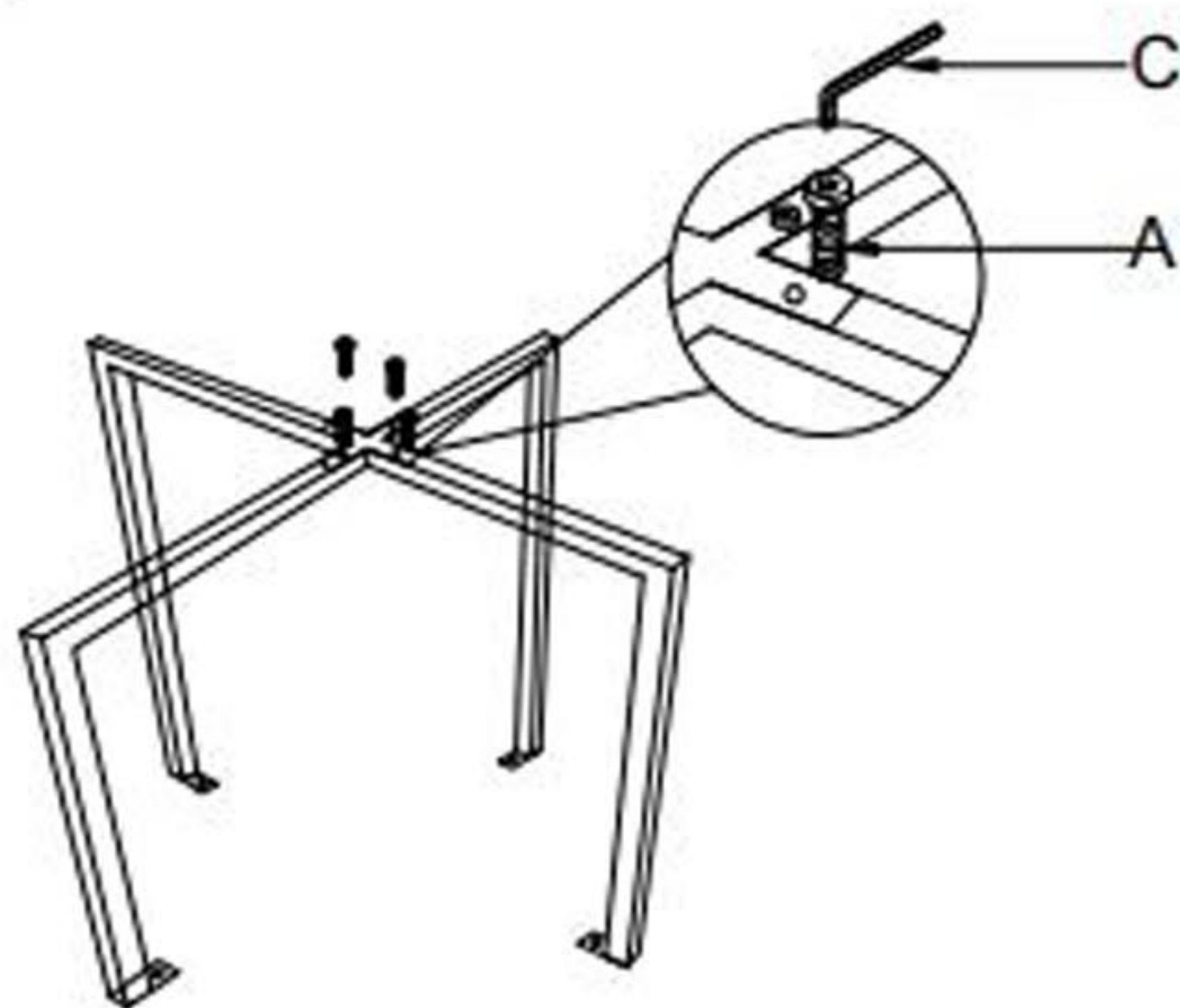
C X1PC



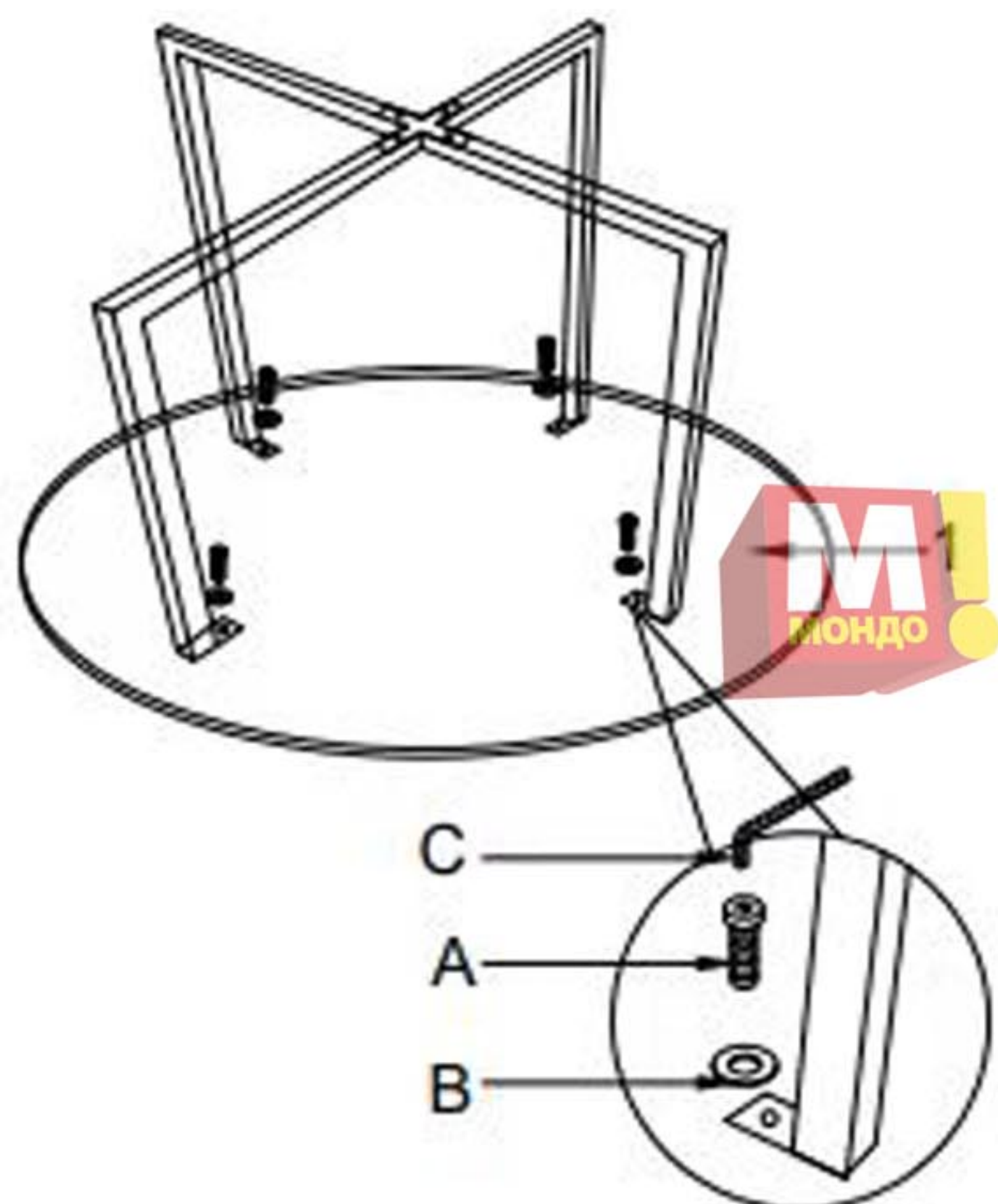
1



2



3



4

