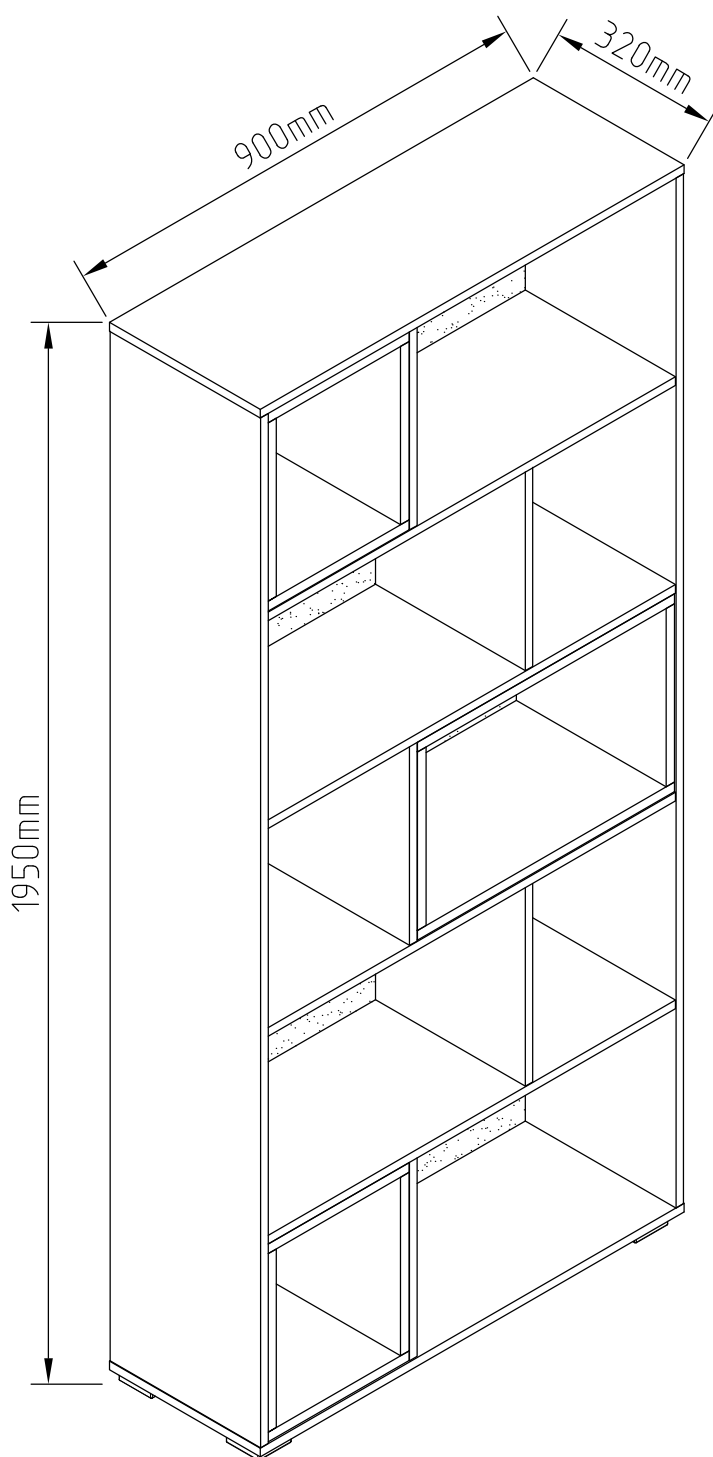
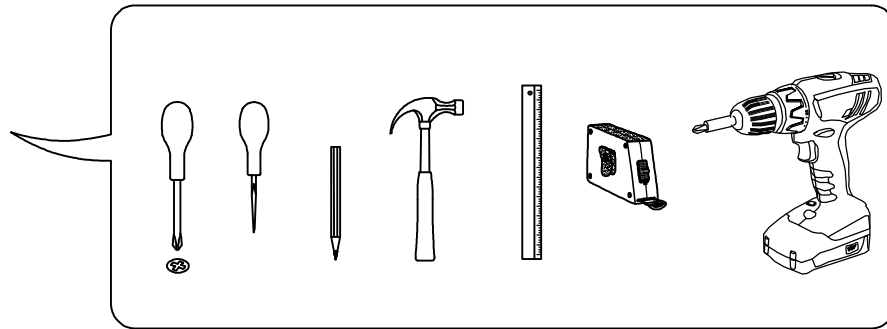
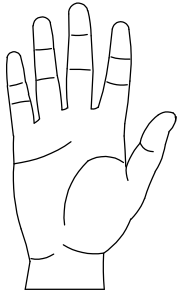
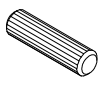
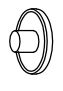
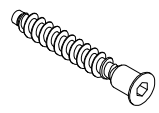
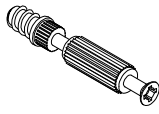
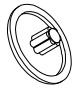



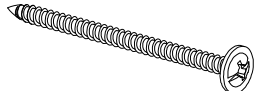
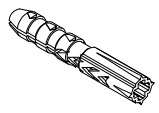
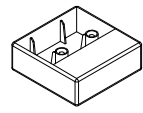
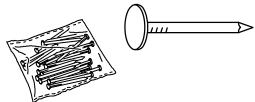


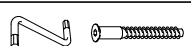
# TWIST SHELVING WITH INSERTS

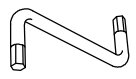
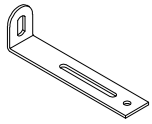


# TWIST shelving with inserts

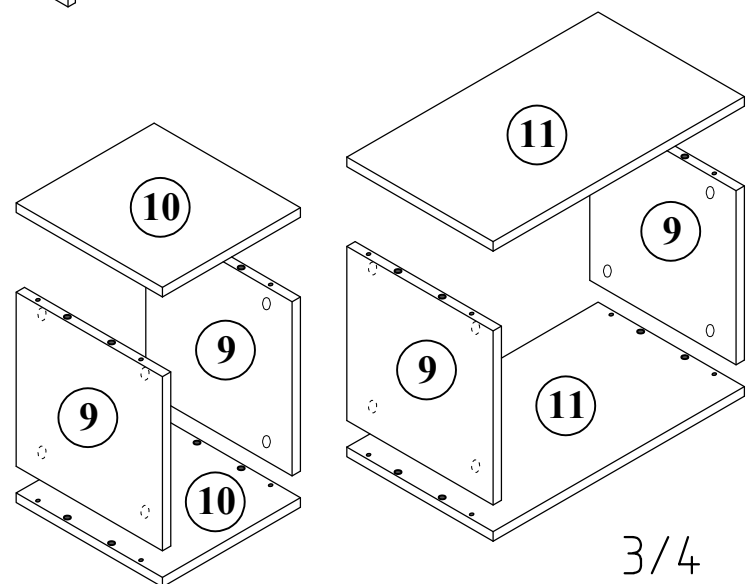
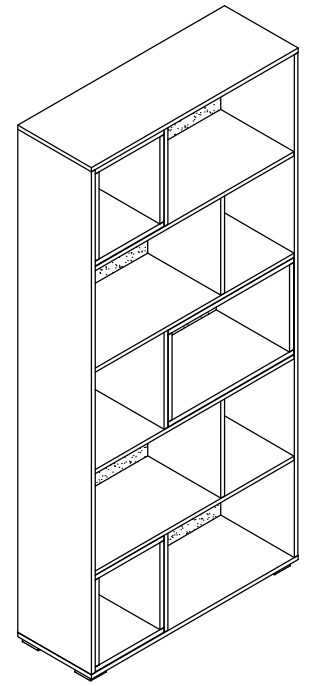
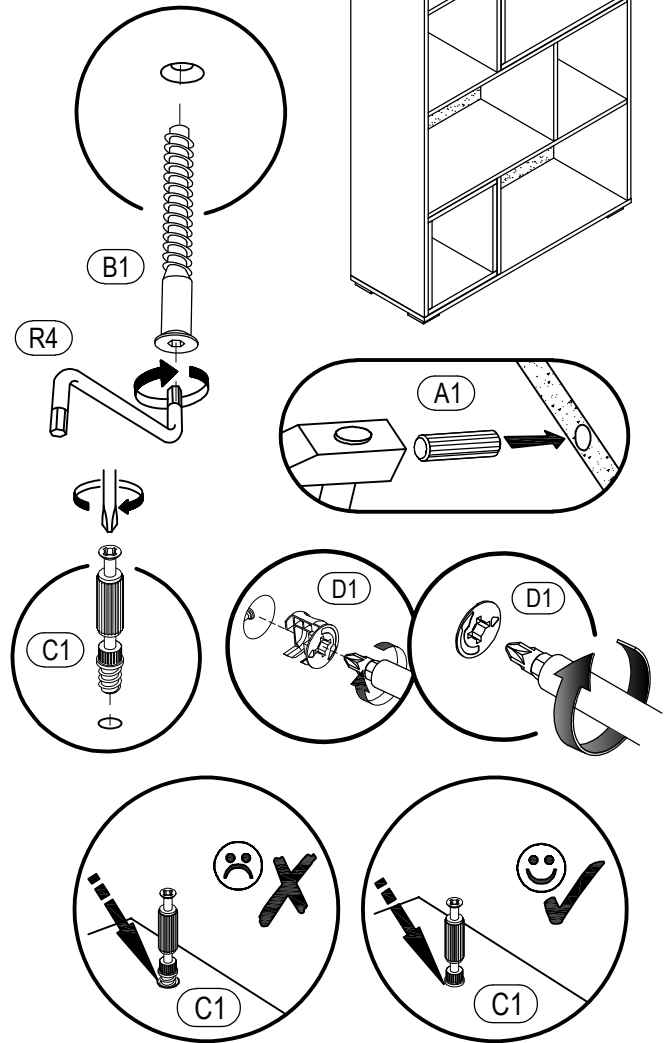
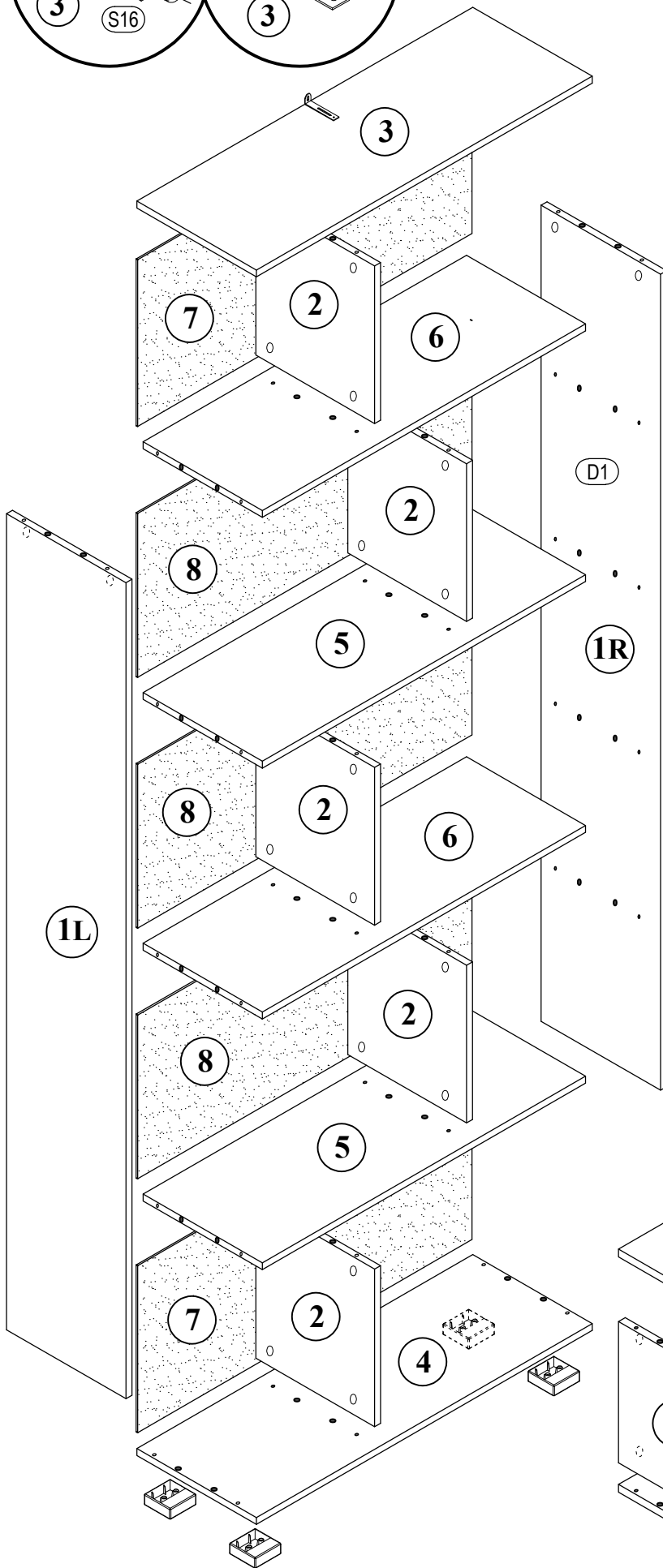
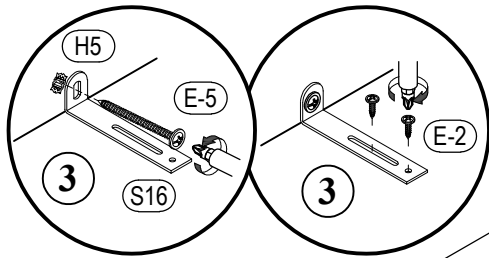


 <b>A1</b> 8*30mm x68	 <b>B</b> x4	 <b>B1</b> 6,3*50mm x4
 <b>C1</b> 6*43mm x64	 <b>D</b> $\phi$ 20mm x40	 <b>D1</b> 15/16 x64
 <b>E16</b> 4*35mm x8	 <b>E-2</b> 4,2*16mm x2	 <b>E-5</b> 4,2*65mm x1
 <b>H5</b> 8*50mm x1	 <b>K4</b> x4	 <b>R3</b> 1.4*25mm 0.080kg

No	a*b	x	N°→...
1L	1894x320	x1	1/4
1R	1894x320	x1	1/4
2	366x318	x5	2/4
3	900x320	x1	2/4
4	900x320	x1	2/4
5	866x319	x2	1/4
6	866x319	x2	1/4
7	896x387	x2	2/4
8	896x380	x3	2/4
9	328x318	x4	4/4
	328x318	x2	3/4
10	300x318	x4	4/4
11	546x318	x2	3/4
		x1	2/4

 <b>R4</b> N°4 x1
 <b>S16</b> 260.54.900 x1

# TWIST shelving with inserts



# TWIST shelving with inserts

