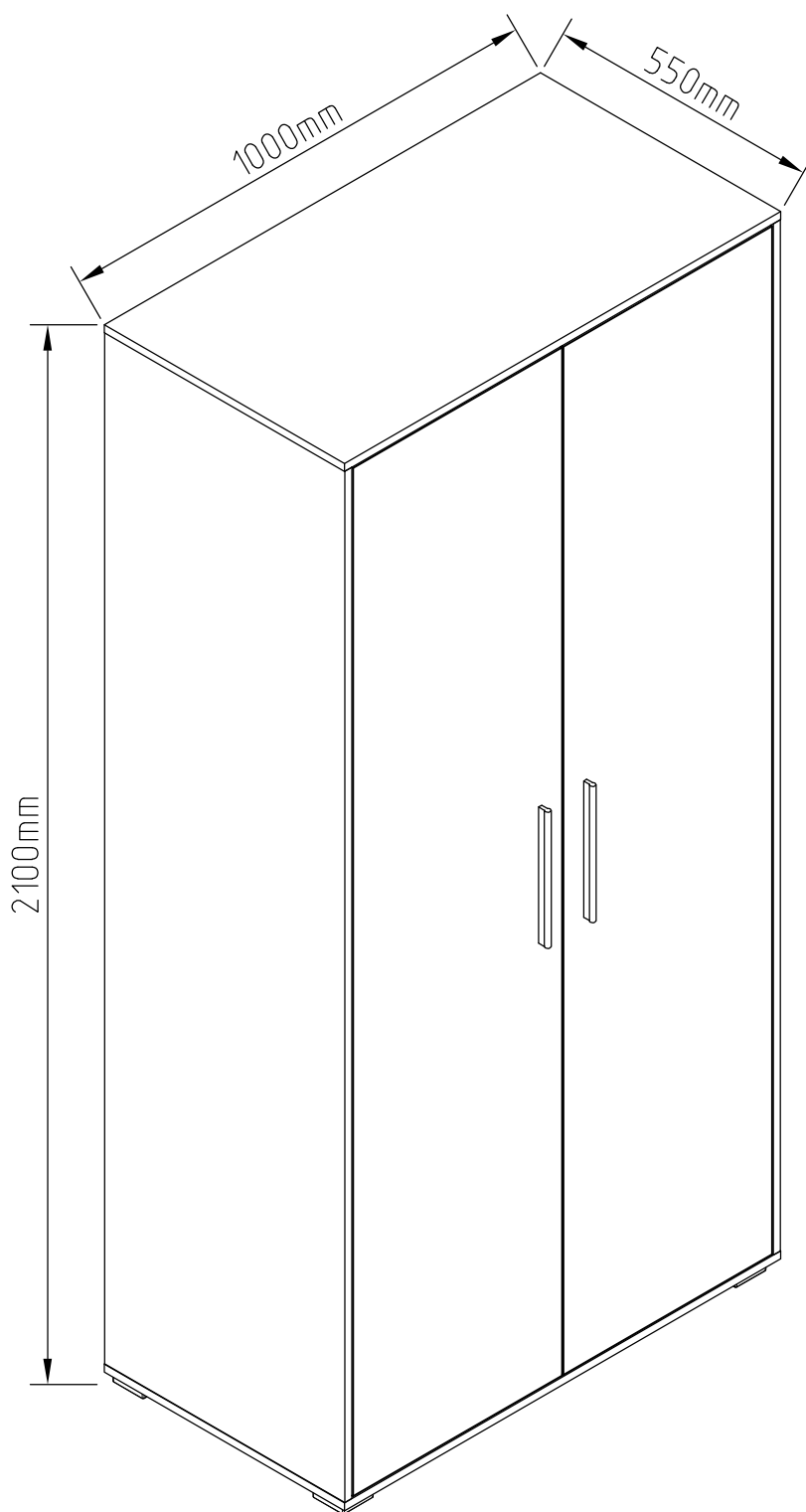


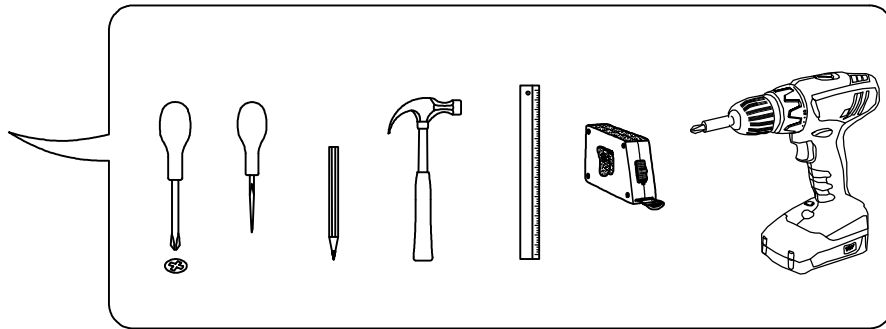
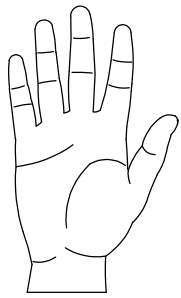
# TWIST

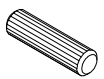

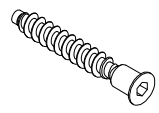
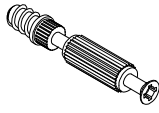



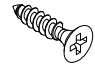



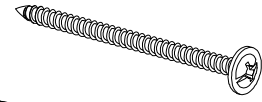

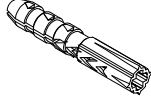
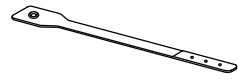
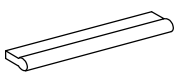
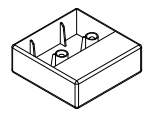
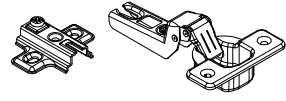
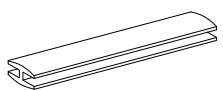
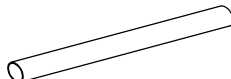
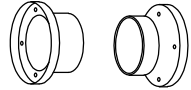
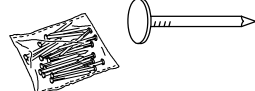
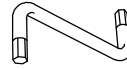

## WARDROBE 2D



# TWIST

## wardrobe 2D




 <b>A1</b> 8*30mm x16	 <b>B</b> x8	 <b>B1</b> 6,3*50mm x8
 <b>C1</b> 6*43mm x12	 <b>D</b> $\phi$ 20mm x12	 <b>D1</b> 15/16 x12
 <b>E4</b> 3*15mm x4	 <b>E6</b> 3,5*16mm x26	 <b>E14</b> 4*25mm x6
 <b>E16</b> 4*35mm x8	 <b>E-2</b> 4,2*16mm x6	 <b>E-5</b> 4,2*65mm x1
 <b>F4</b> 6,3*13mm x20	 <b>H5</b> 8*50mm x1	 <b>H7</b> x1
 <b>I9</b> x2	 <b>K4</b> x4	 <b>L3</b> x10
 <b>O8</b> L-2042 mm x1	 <b>P1</b> $\phi$ 25 L-962 x1	 <b>P3</b> R-11M/25 x2
 <b>R3</b> 1.4*25mm 0.040kg	 <b>R4</b> N°4 x1	 <b>U3</b> x4

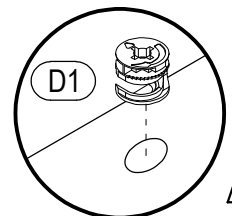
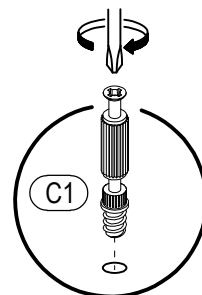
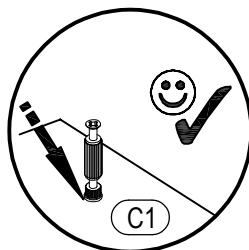
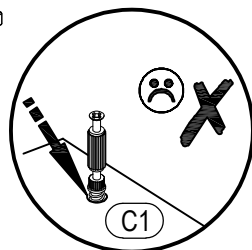
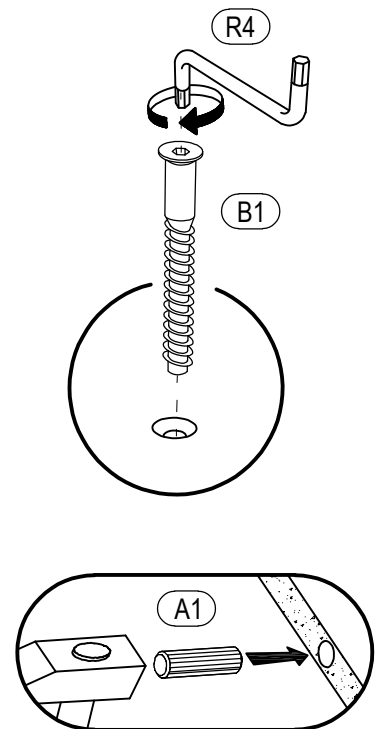
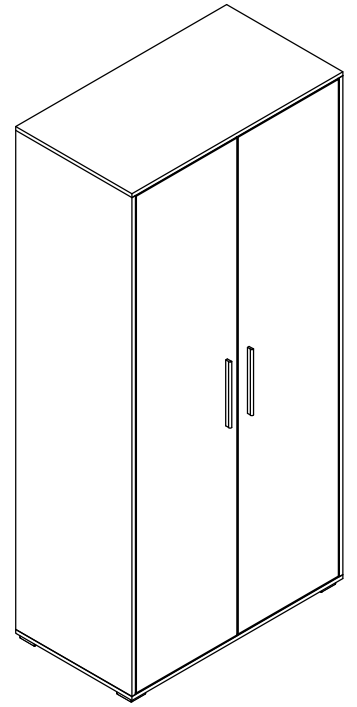
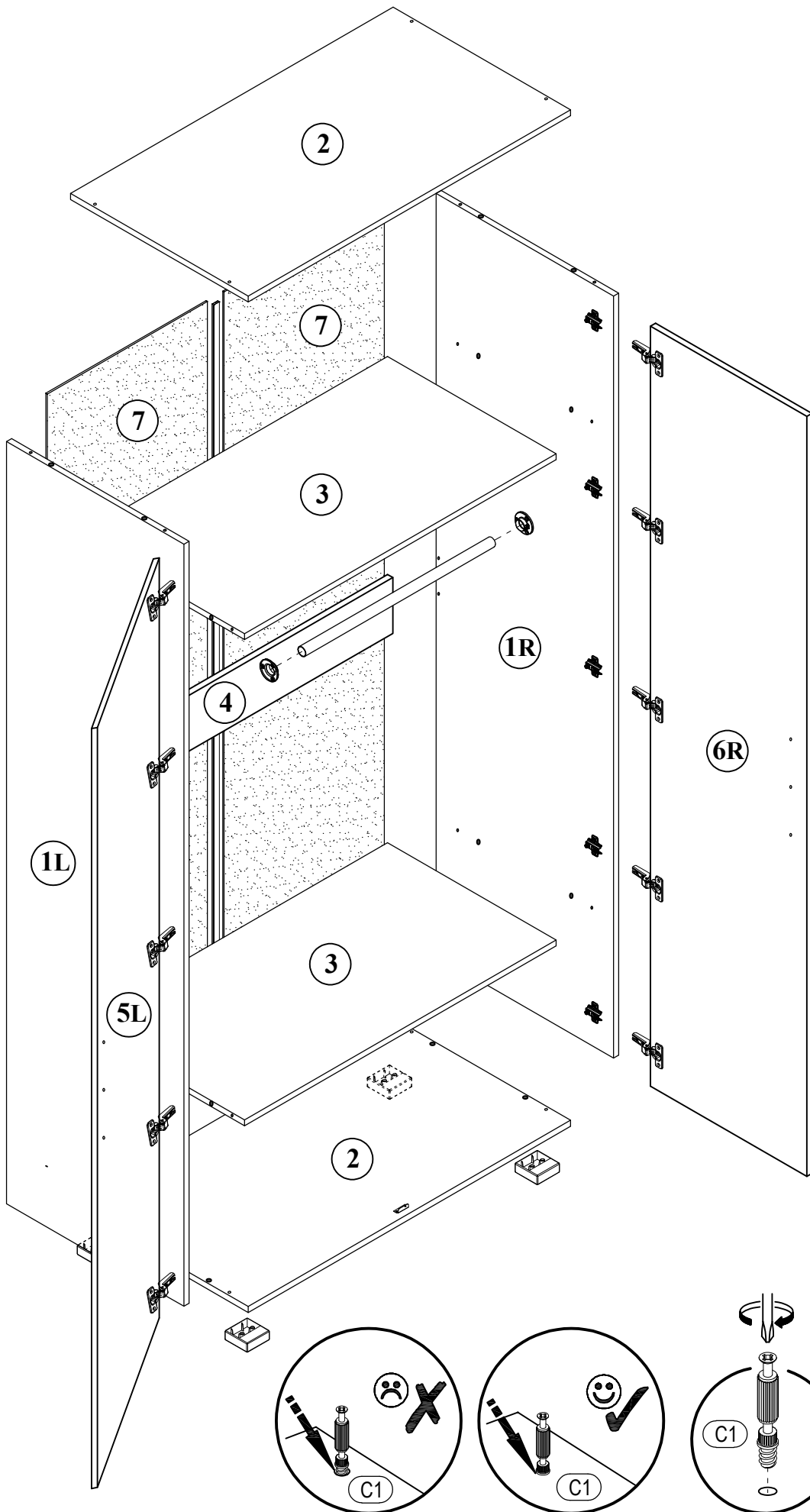
# TWIST

## wardrobe 2D

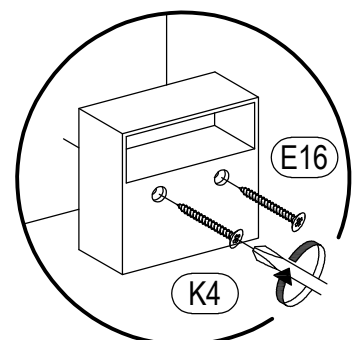
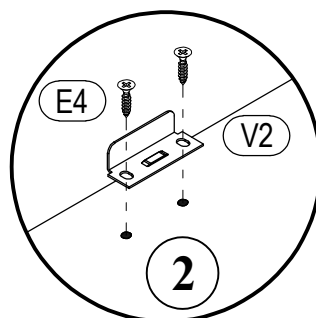
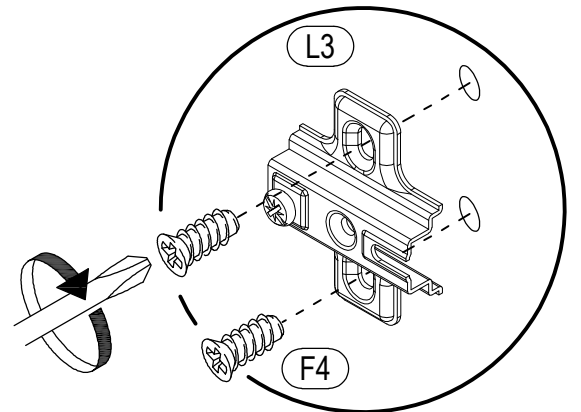
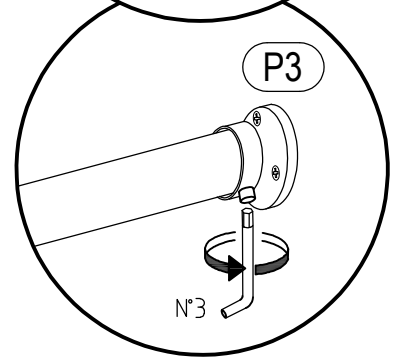
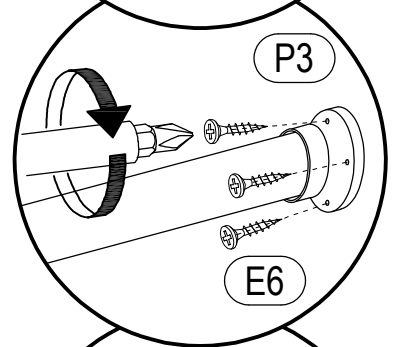
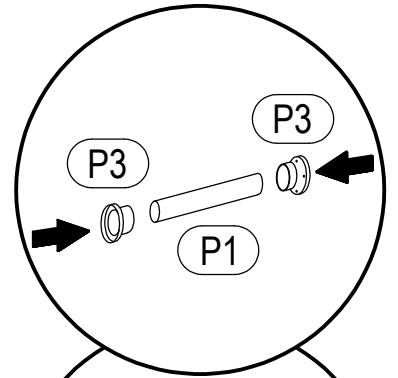
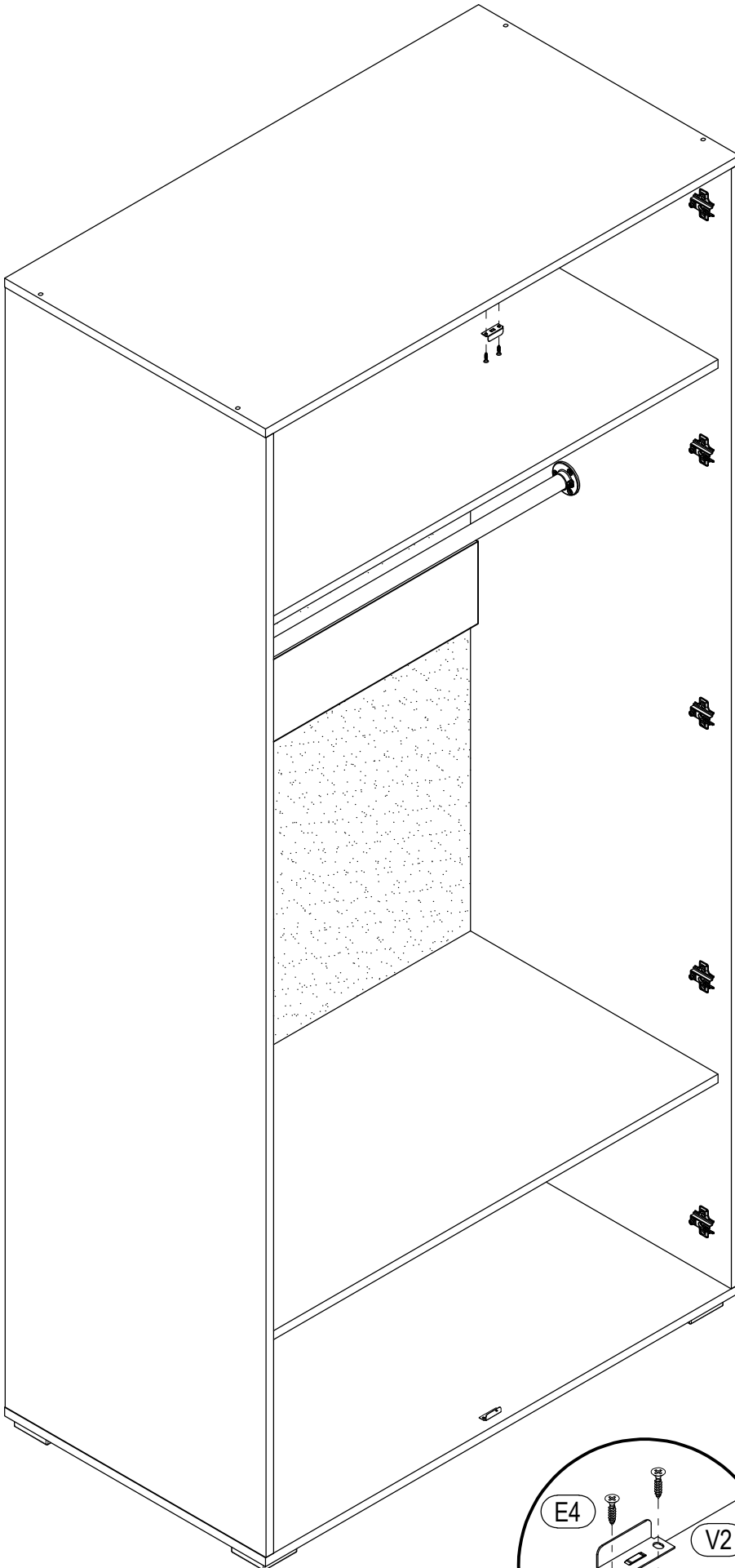
 <span style="border: 1px solid black; border-radius: 50%; padding: 2px;">V2</span>	 x2	

№	a*b	x	N°→...
1L	2044x550	x1	1/3
1R	2044x550	x1	1/3
2	999x550	x2	2/3
3	965x530	x2	2/3
4	965x150	x1	2/3
5L	2038x478	x1	3/3
6R	2038x478	x1	3/3
7	2072x496	x2	1/3
		x1	2/3

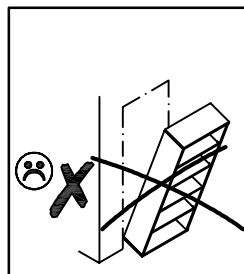
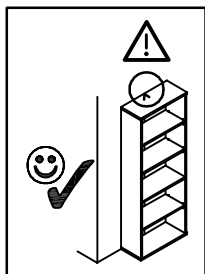
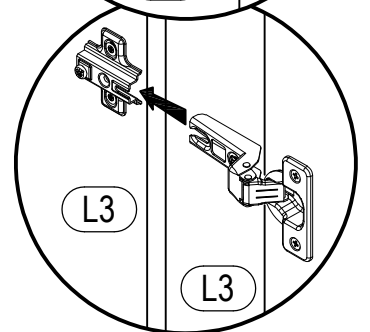
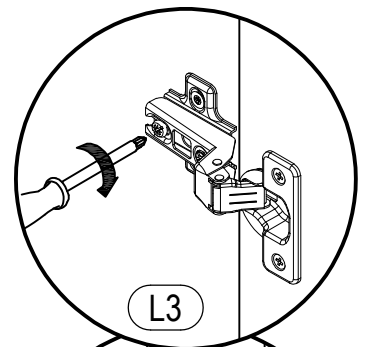
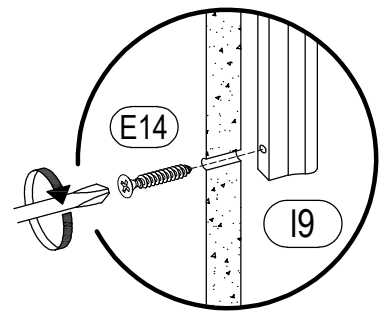
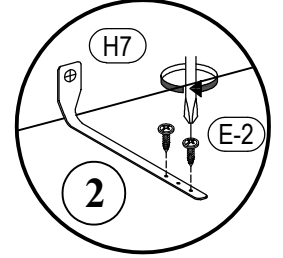
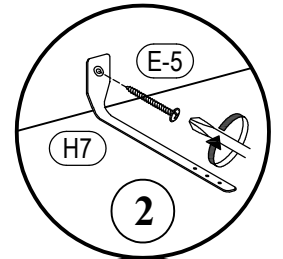
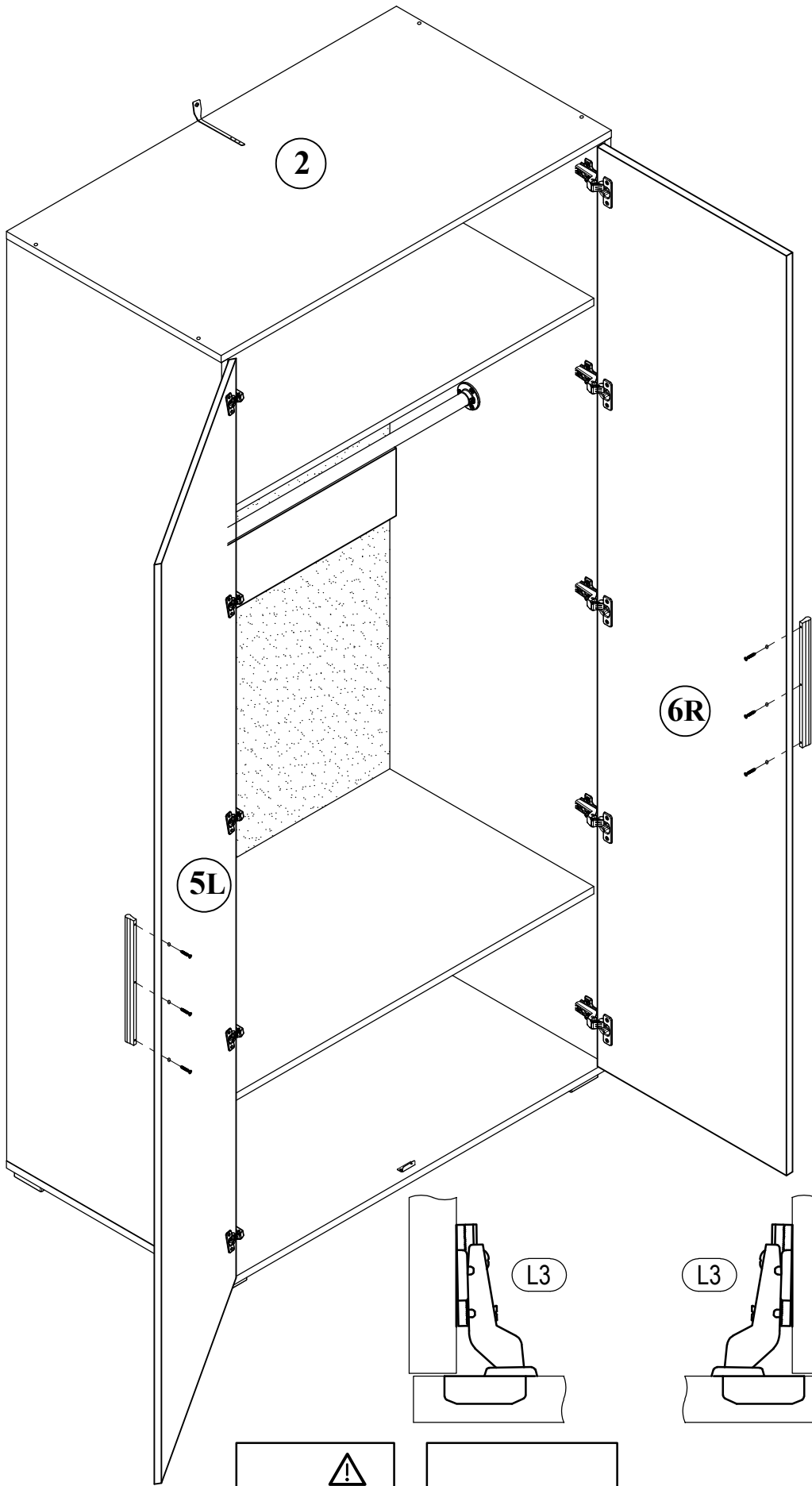
# TWIST wardrobe 2D



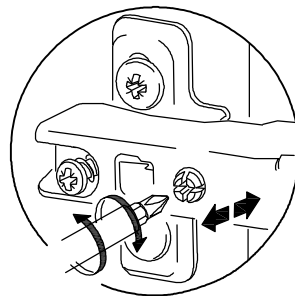
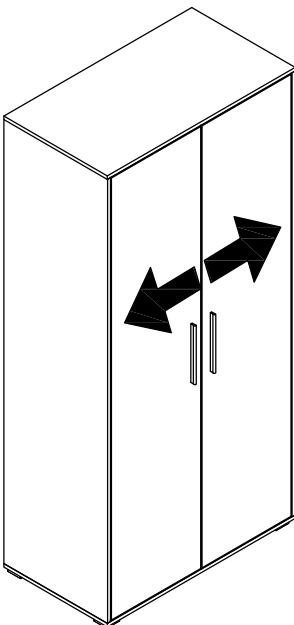
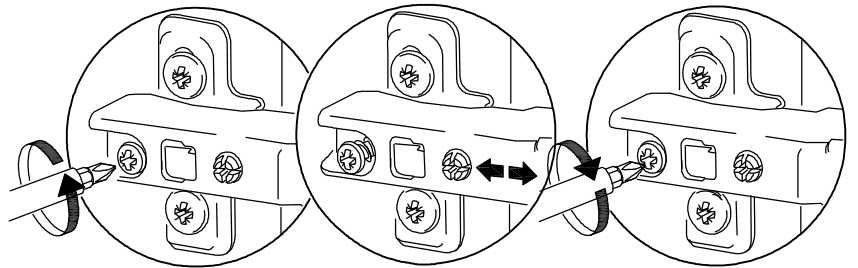
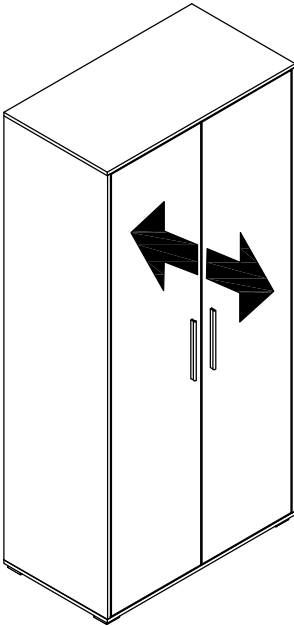
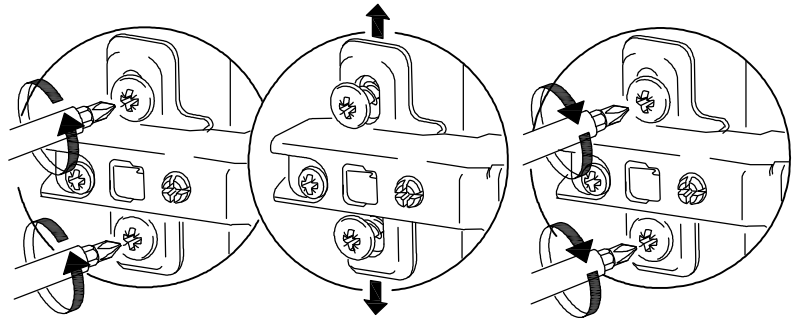
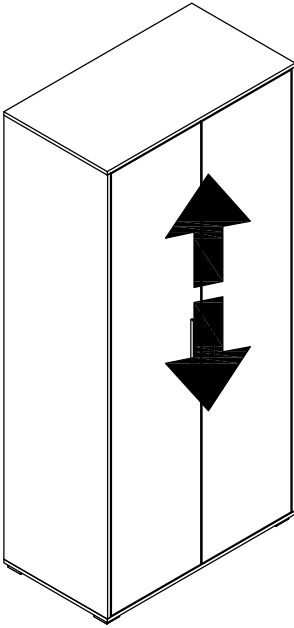
# TWIST wardrobe 2D



# TWIST wardrobe 2D



# TWIST wardrobe 2D



# TWIST wardrobe 2D

