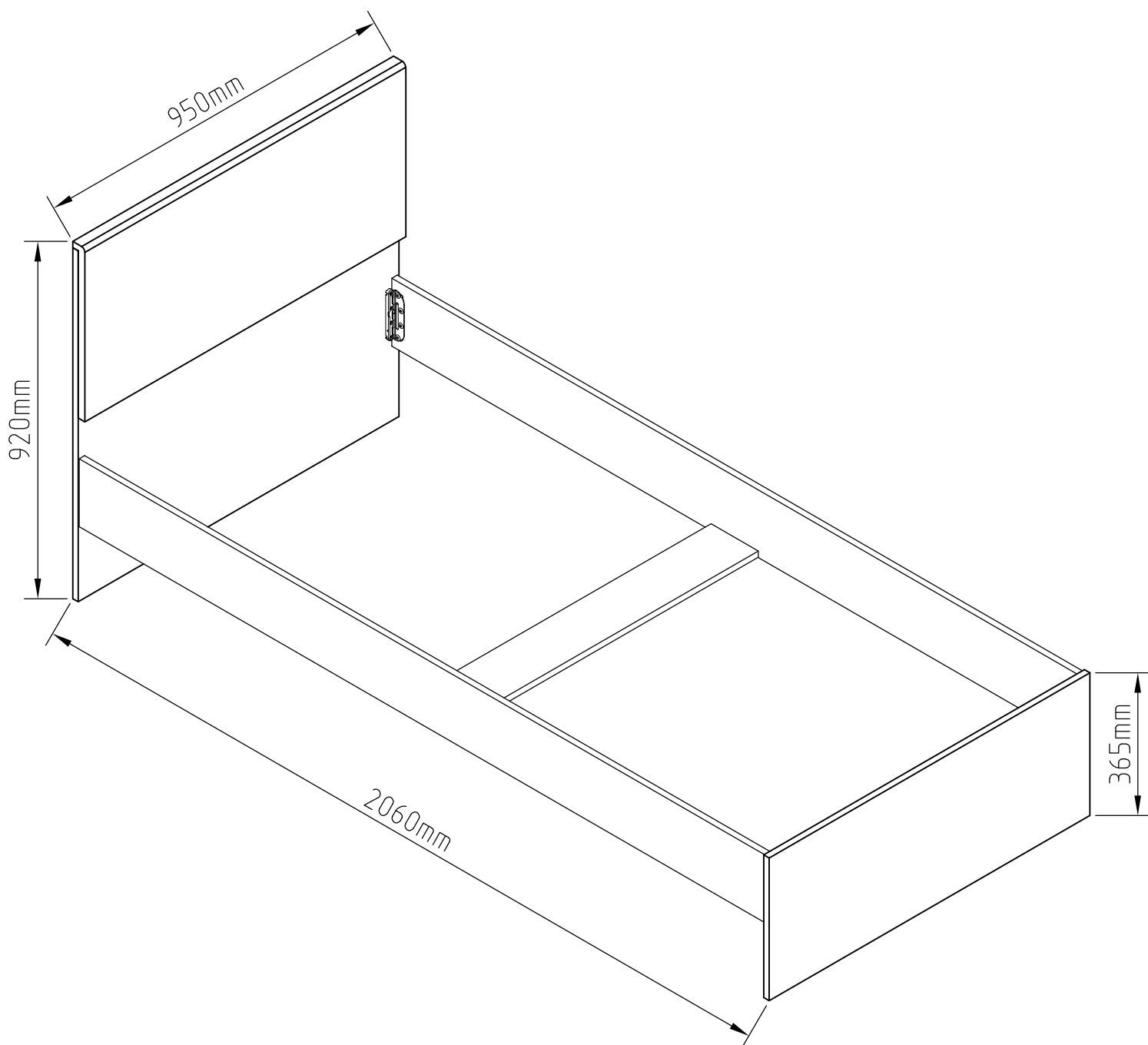


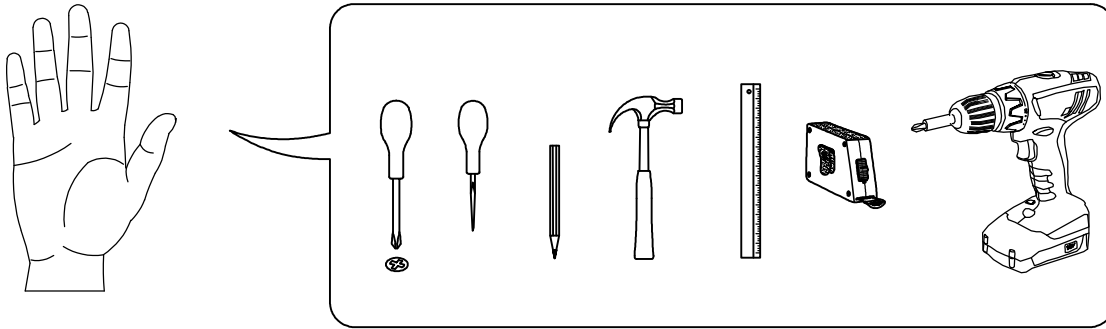
# TWIST

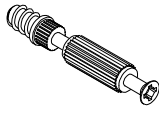


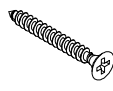

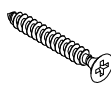
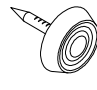
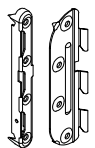
## SINGLE BED 0,9

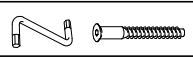


# TWIST

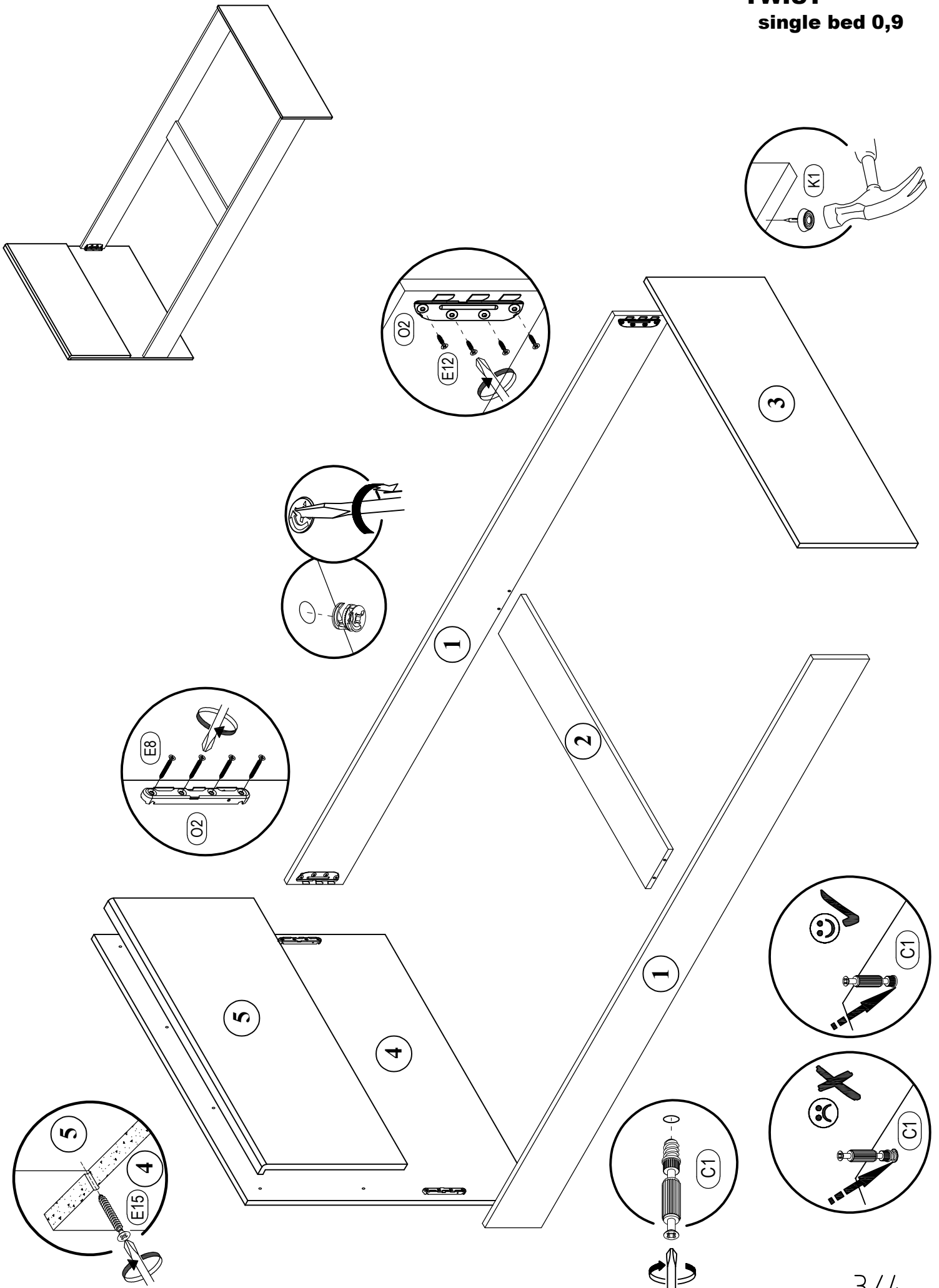
## single bed 0,9



 <b>(C1)</b> 6*43mm x4	 <b>(D)</b> $\phi$ 20mm x4	 <b>(D1)</b> 15/16 x4
 <b>(E8)</b> 3,5*25mm x16	 <b>(E12)</b> 4*16mm x16	 <b>(E15)</b> 4*30mm x8
 <b>(K1)</b> x8	 <b>(O2)</b> 1R+1L x2	

No	a*b	x	N°→...
1	2030x174	x2	1/3
2	910x140	x1	2/3
3	950x366	x1	2/3
4	950x900	x1	2/3
5	960x460	x1	3/3
		x1	1/3

# TWIST single bed 0,9



# TWIST

single bed 0,9

