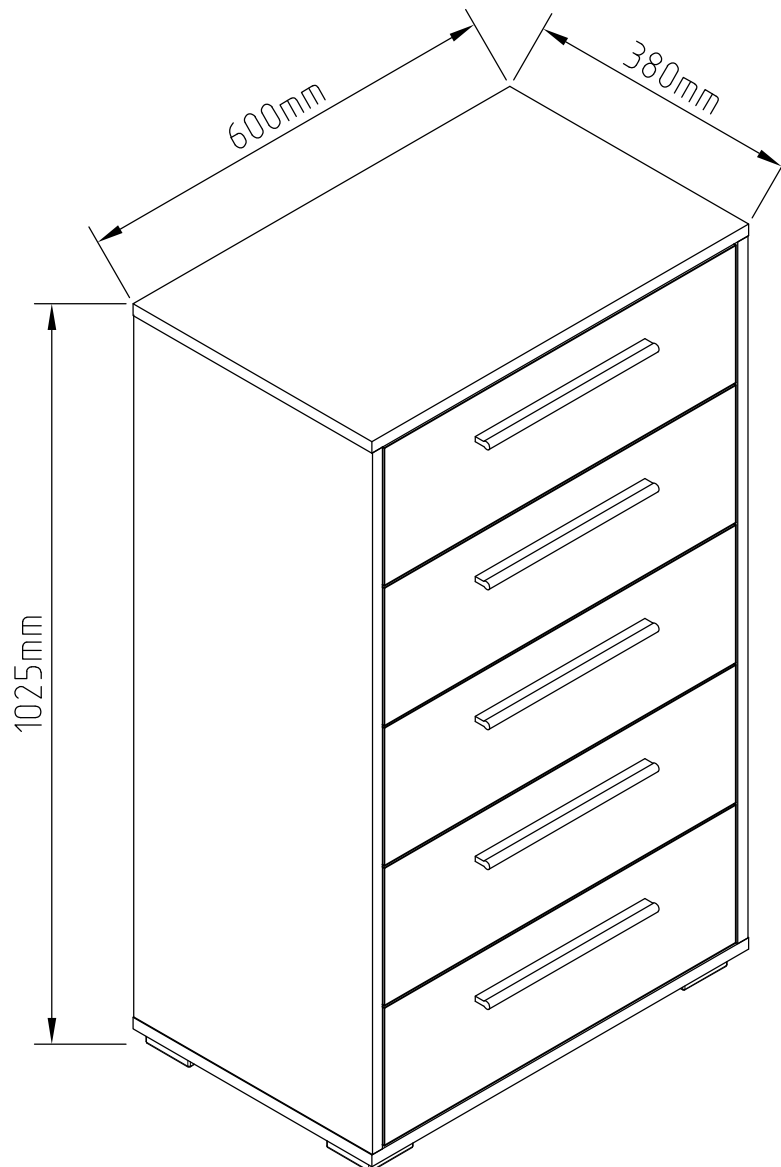


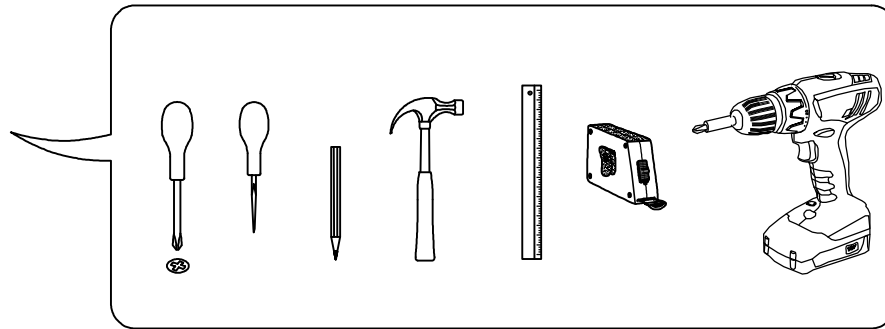
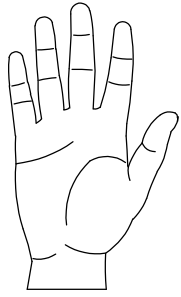
TONY

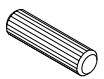

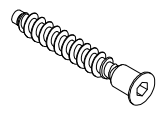
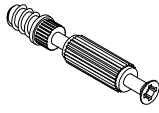




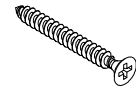

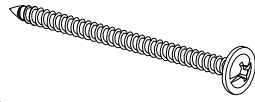
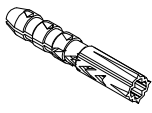
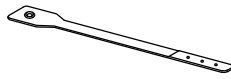

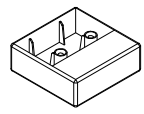
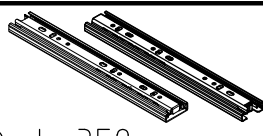
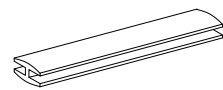
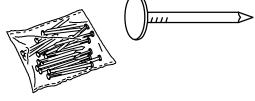
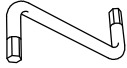
CHEST OF DRAWERS 60



TONY

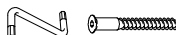
chest of drawers 60



 (A1) 8*30mm x52	 (B) x14	 (B1) 6,3*50mm x14
 (C1) 6*43mm x18	 (D) ϕ 20mm x18	 (D1) 15/16 x18
 (E6) 3,5*16 x40	 (E14) 4*25mm x15	 (E16) 4*35mm x8
 (E-2) 4,2*16mm x4	 (E-5) 4,2*65mm x1	 (H5) 8*50mm x1
 (H7) x1	 (I9) x5	 (K4) x4
 (M2) L-350mm x5	 (O8) L-966 mm x1	 (R3) 1.4*25mm 0.070kg
 (R4) N°4 x1		

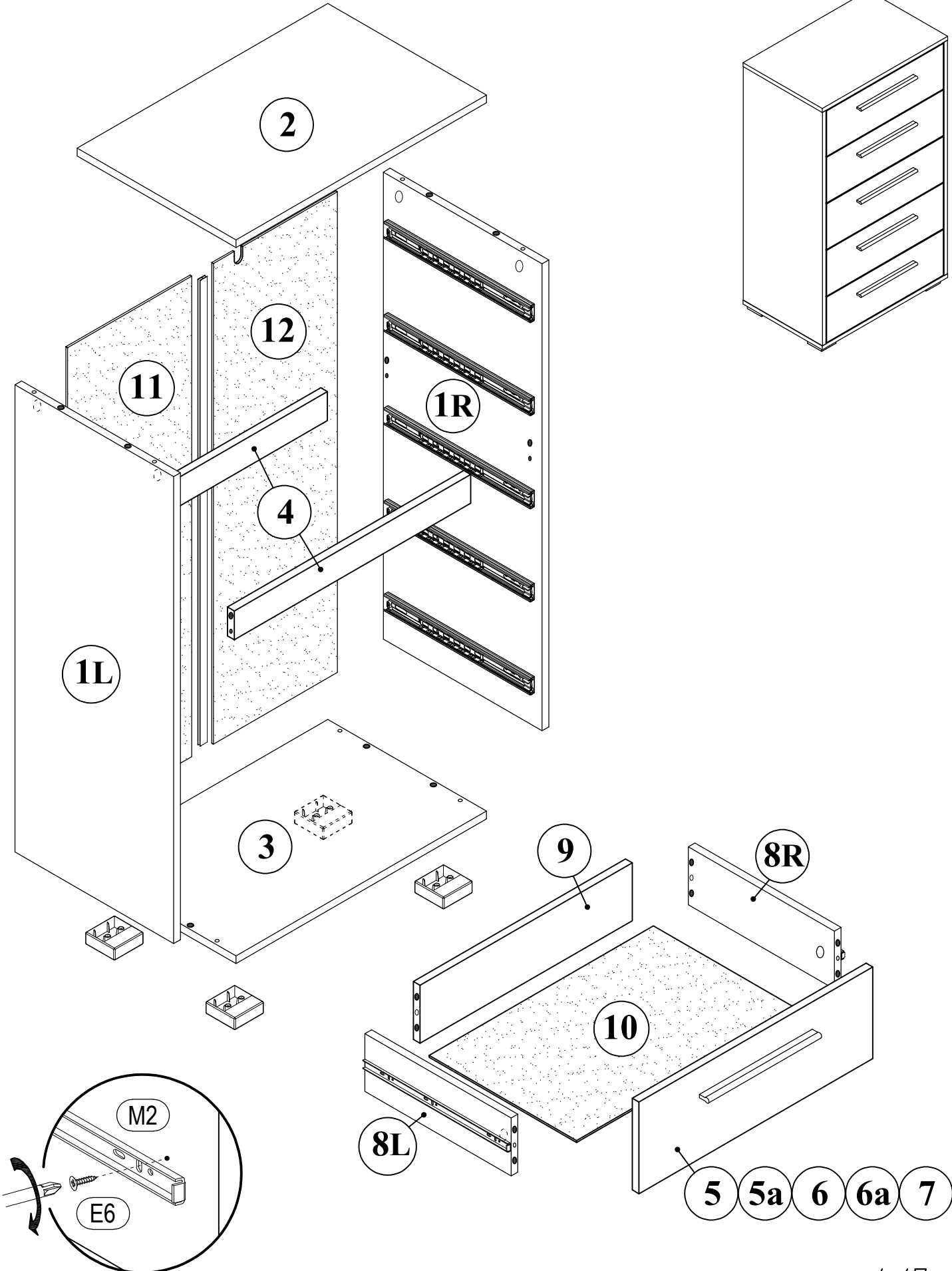
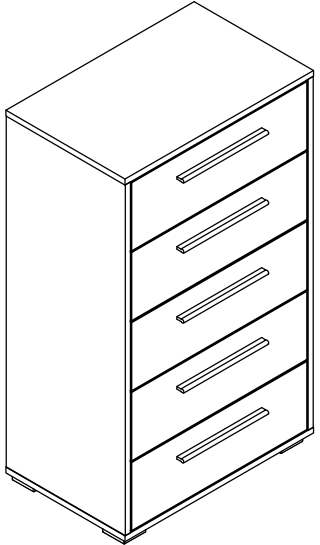
TONY

chest of drawers 60

No	a*b	x	N°→...
1L	968x380	x1	2/3
1R	968x380	x1	2/3
2	600x380	x1	1/3
3	600x380	x1	1/3
4	566x60	x2	1/3
5	560x190	x2	3/3
6	560x190	x2	3/3
7	560x190	x1	3/3
8L	350x120	x5	1/3
8R	350x120	x5	1/3
9	508x120	x5	2/3
10	537x353	x5	1/3
11	996x296	x1	2/3
12	996x296	x1	2/3
		x1	1/3

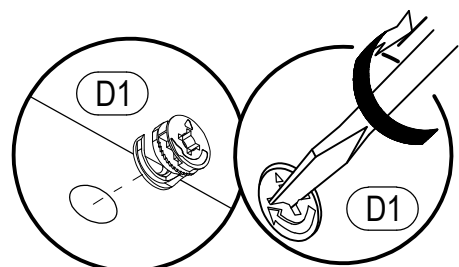
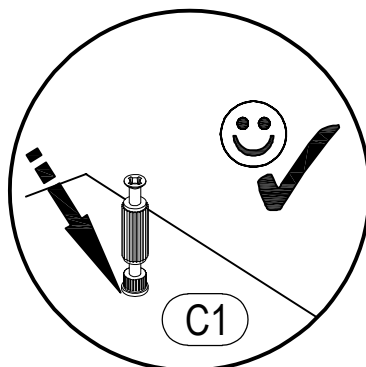
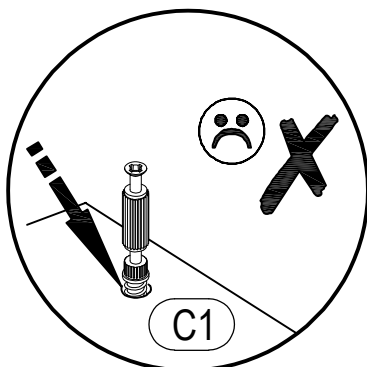
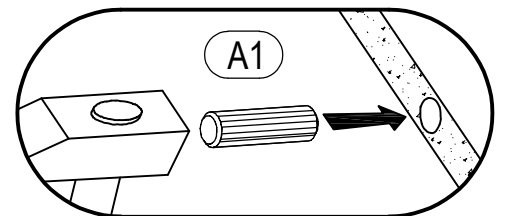
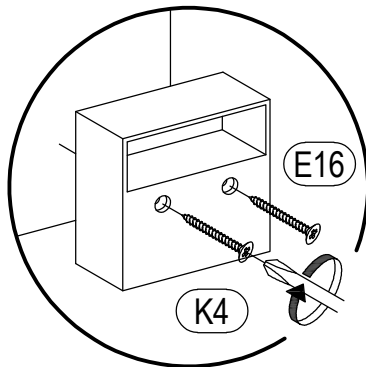
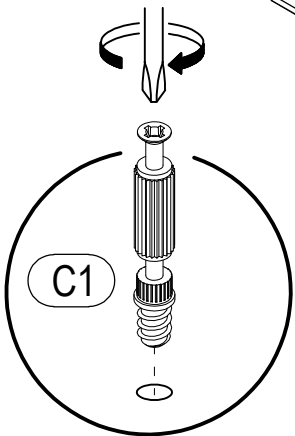
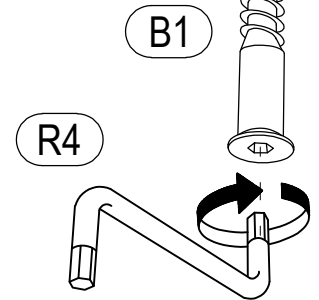
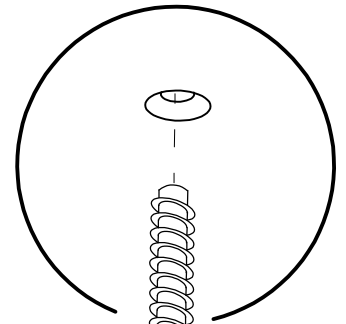
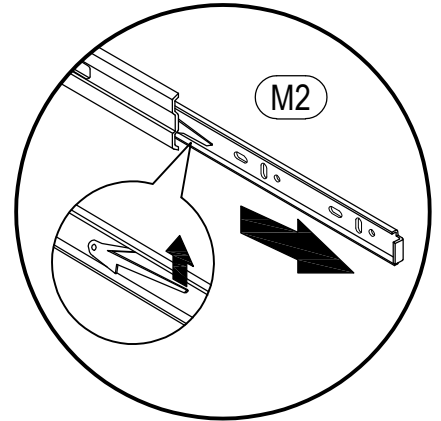
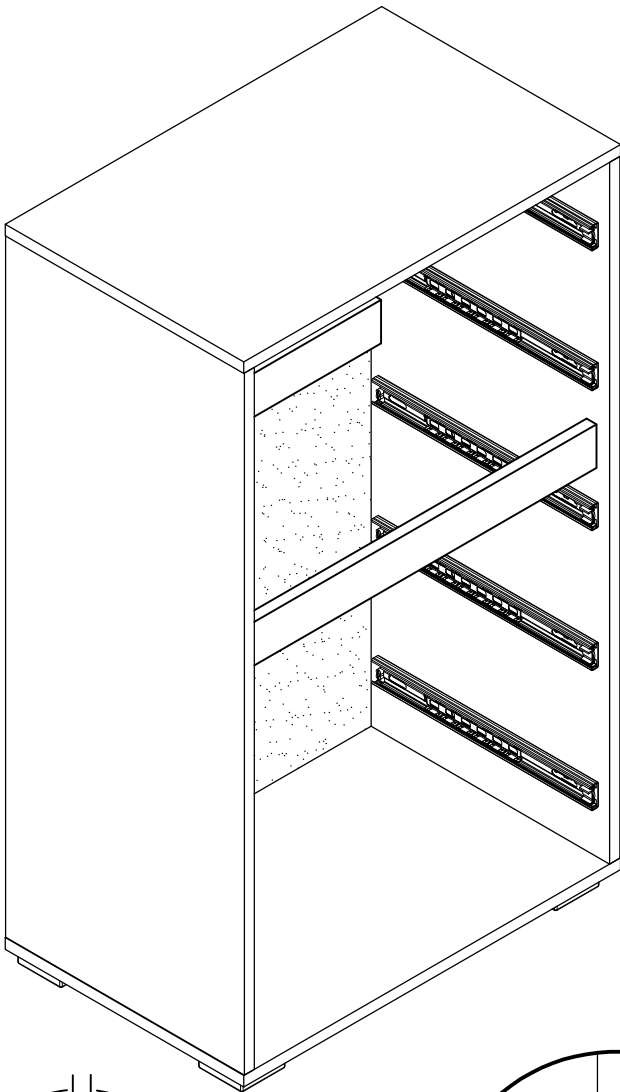
TONY

chest of drawers 60



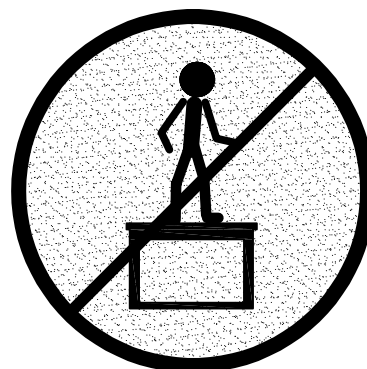
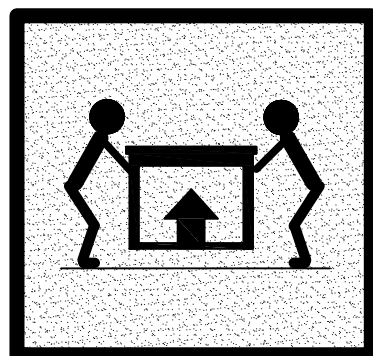
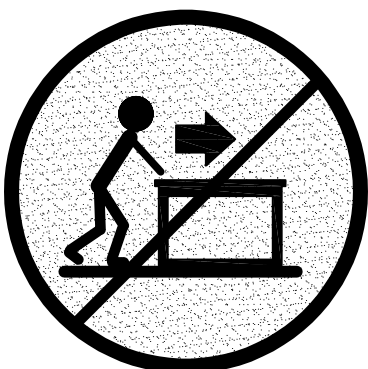
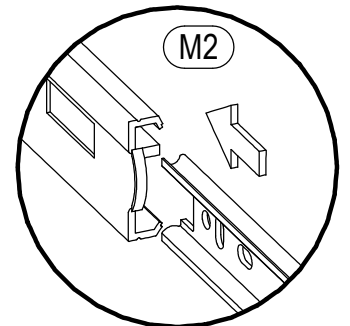
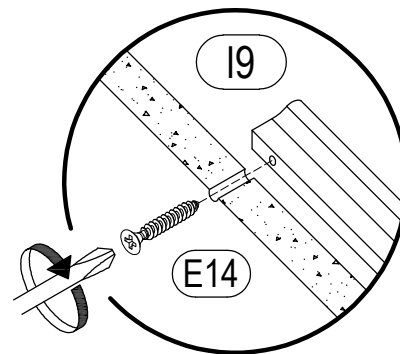
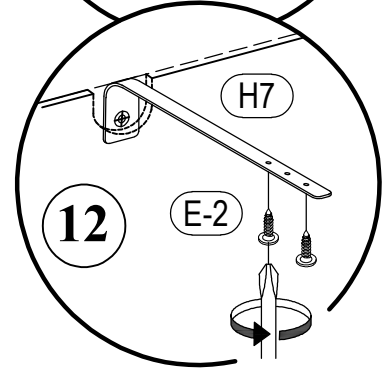
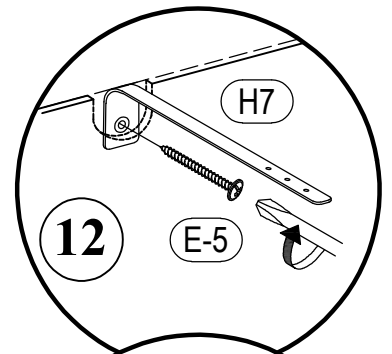
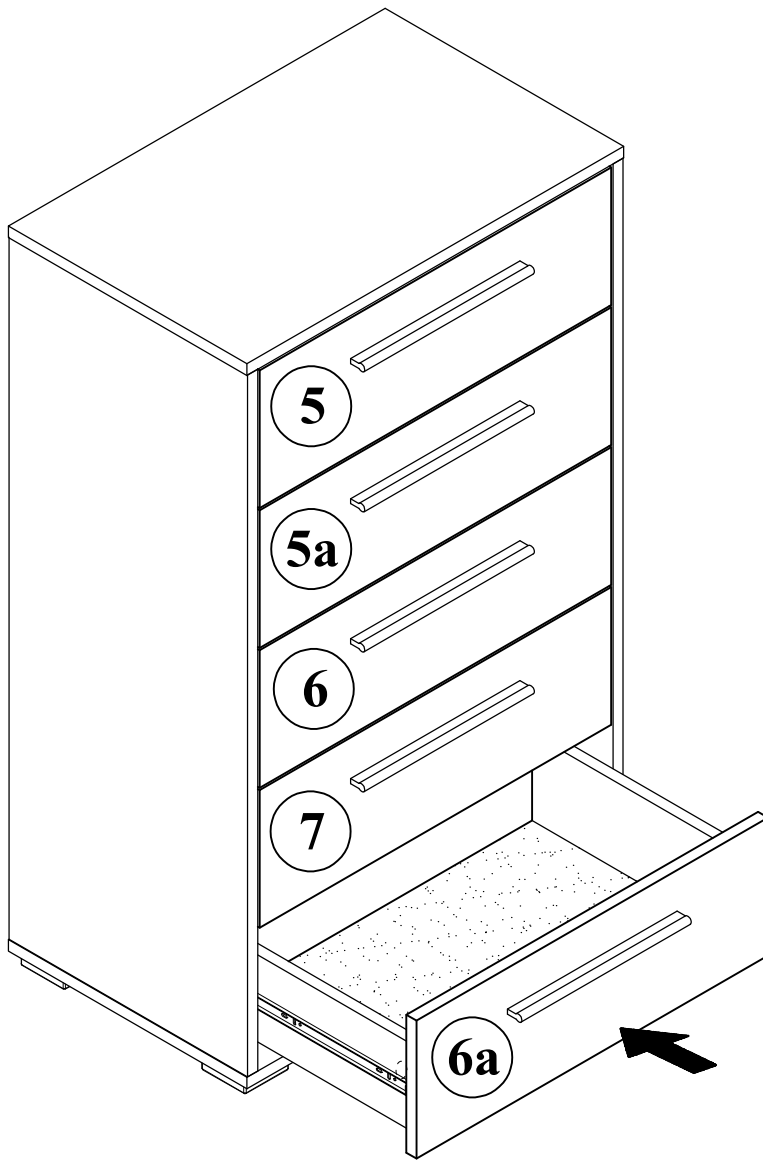
TONY

chest of drawers 60



TONY

chest of drawers 60



TONY
chest of drawers 60

