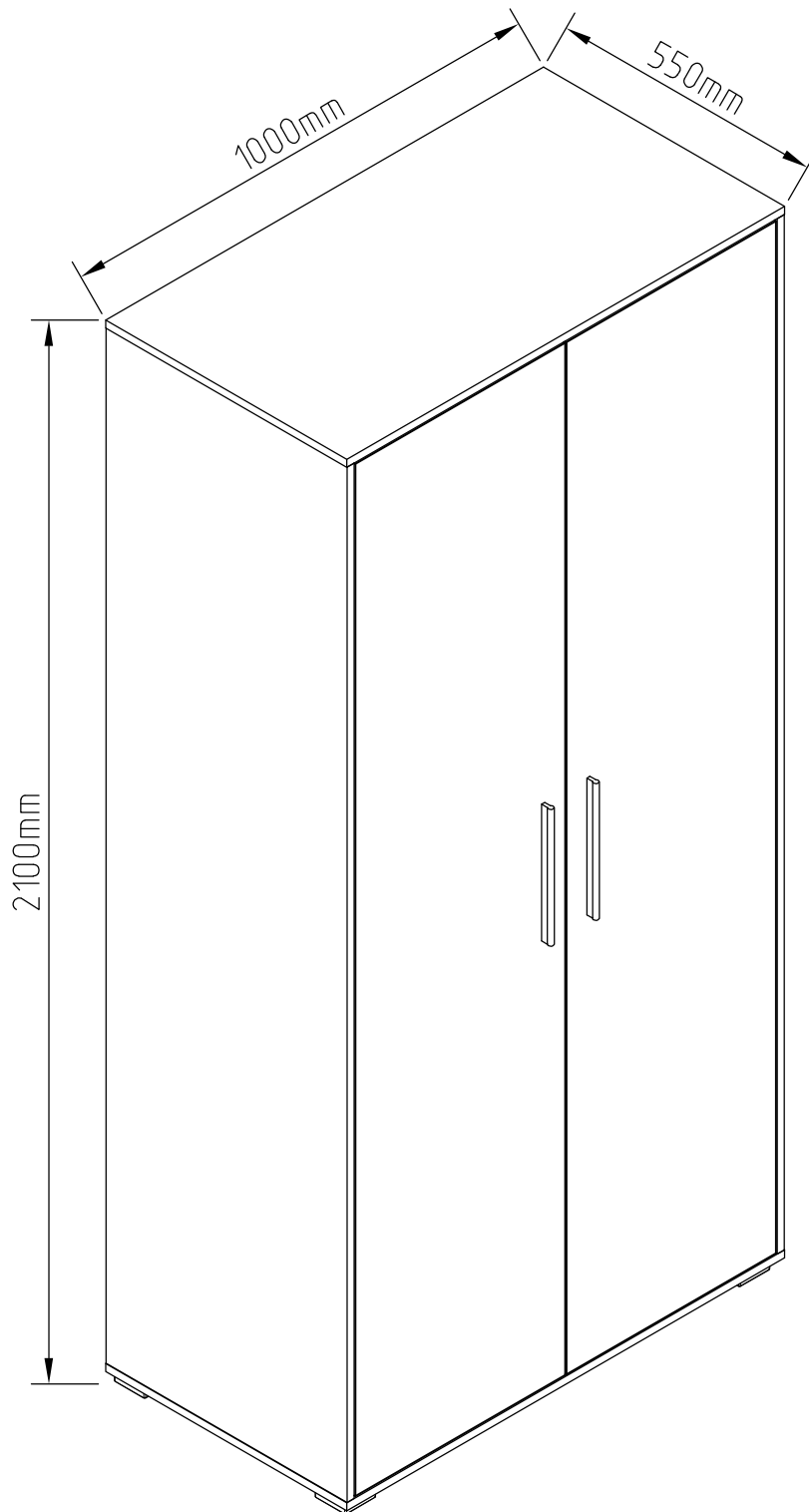
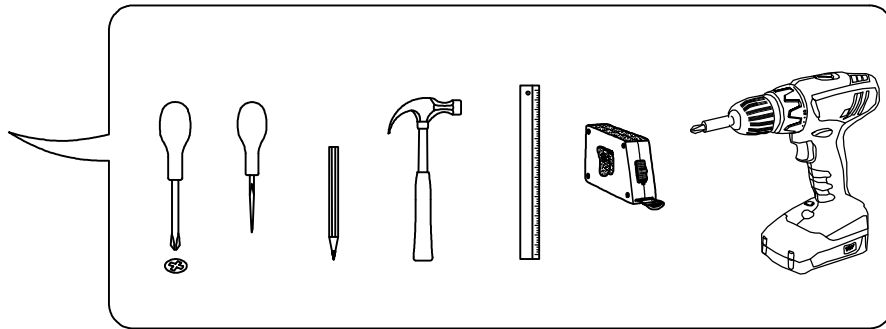
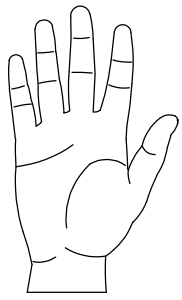


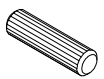

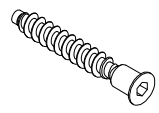
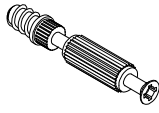



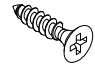



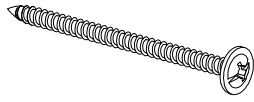

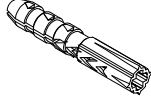
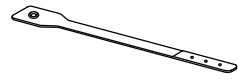
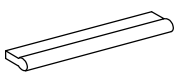
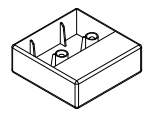
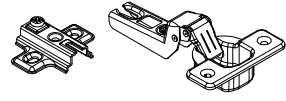
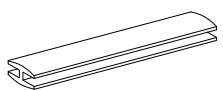
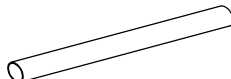
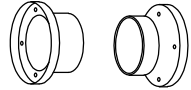
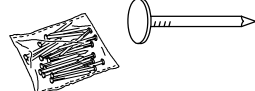
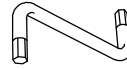

TONY

WARDROBE 2D



TONY wardrobe 2D

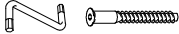


 (A1) 8*30mm x16	 (B) x8	 (B1) 6,3*50mm x8
 (C1) 6*43mm x12	 (D) ϕ 20mm x12	 (D1) 15/16 x12
 (E4) 3*15mm x4	 (E6) 3,5*16mm x26	 (E14) 4*25mm x6
 (E16) 4*35mm x8	 (E-2) 4,2*16mm x6	 (E-5) 4,2*65mm x1
 (F4) 6,3*13mm x20	 (H5) 8*50mm x1	 (H7) x1
 (I9) x2	 (K4) x4	 (L3) x10
 (O8) L-2042 mm x1	 (P1) ϕ 25 L-962 x1	 (P3) R-11M/25 x2
 (R3) 1.4*25mm 0.040kg	 (R4) N°4 x1	 (U3) x4

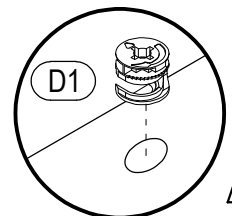
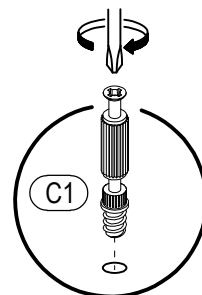
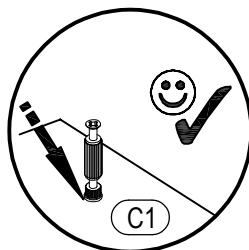
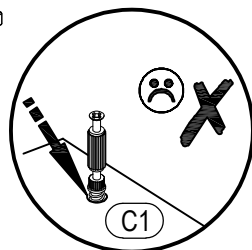
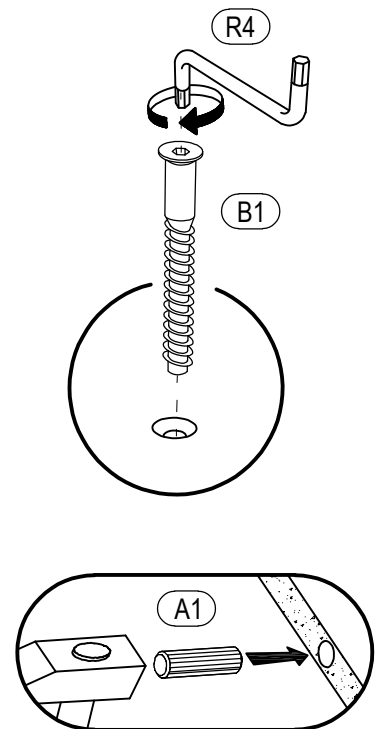
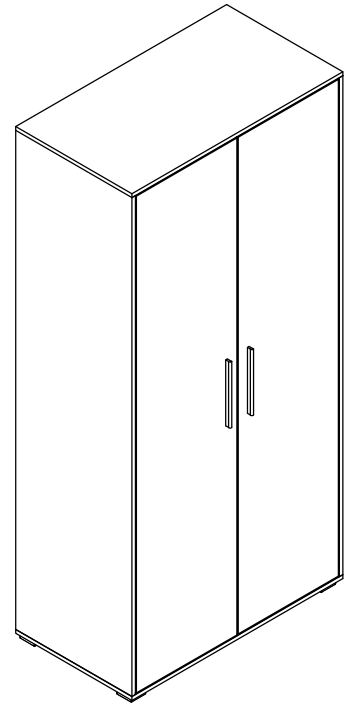
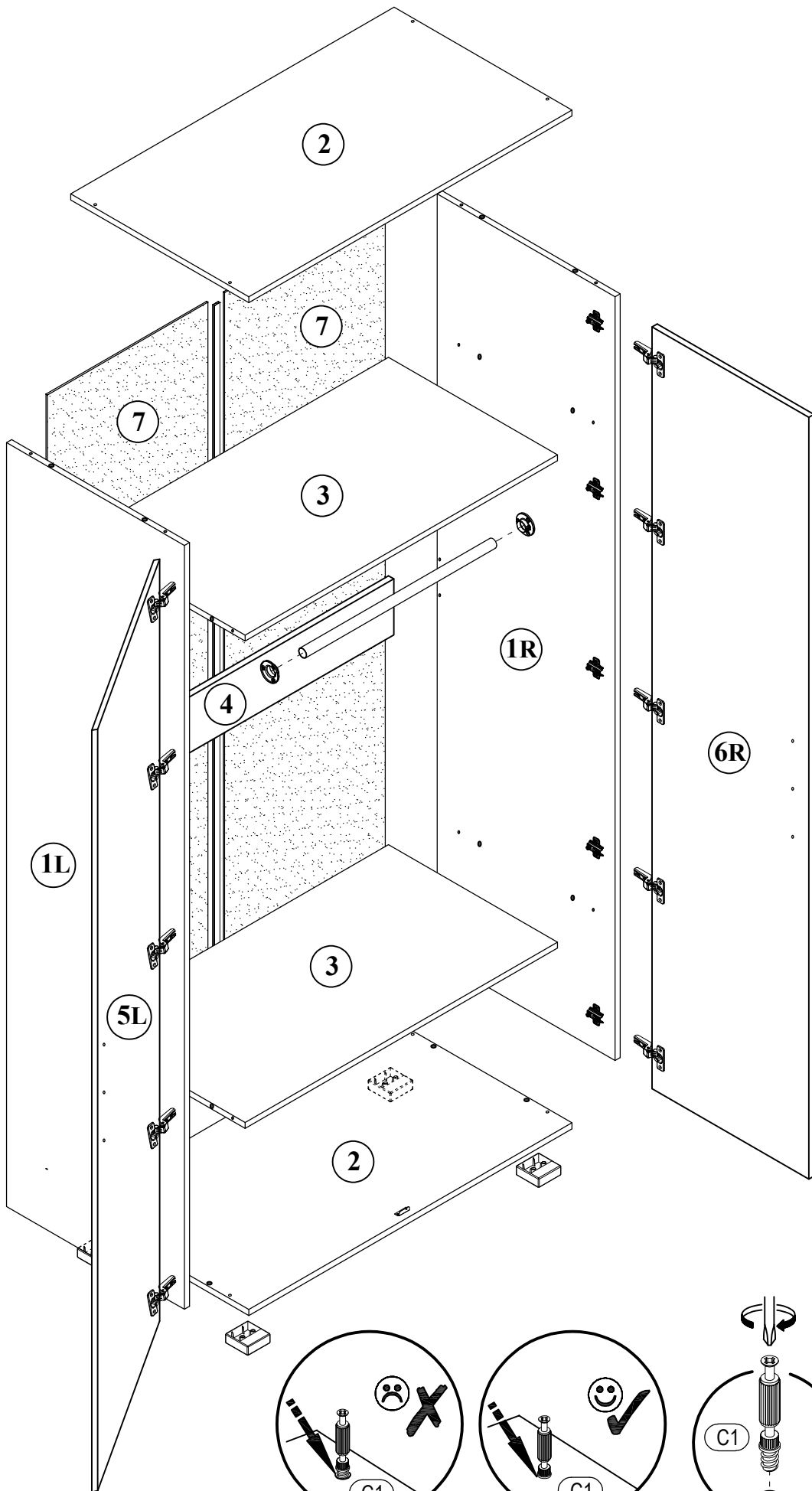
TONY

wardrobe 2D

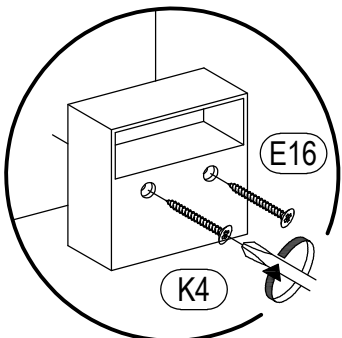
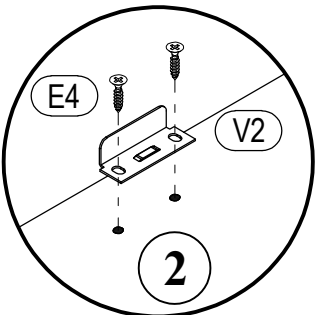
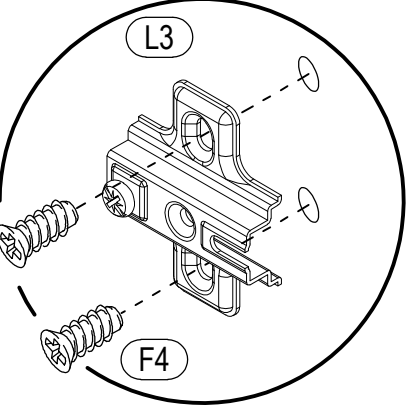
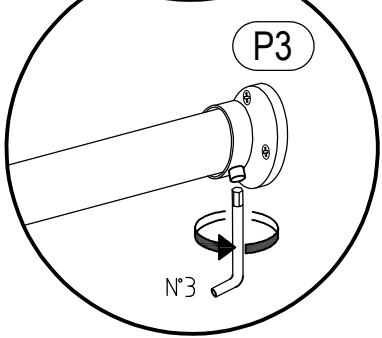
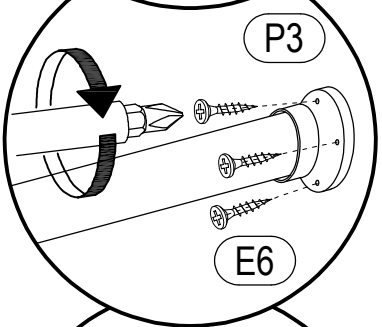
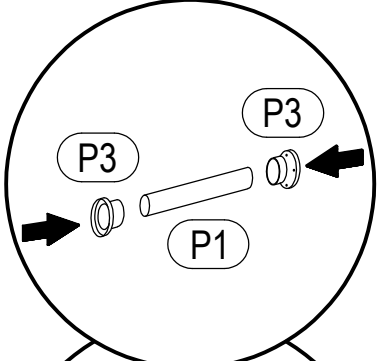
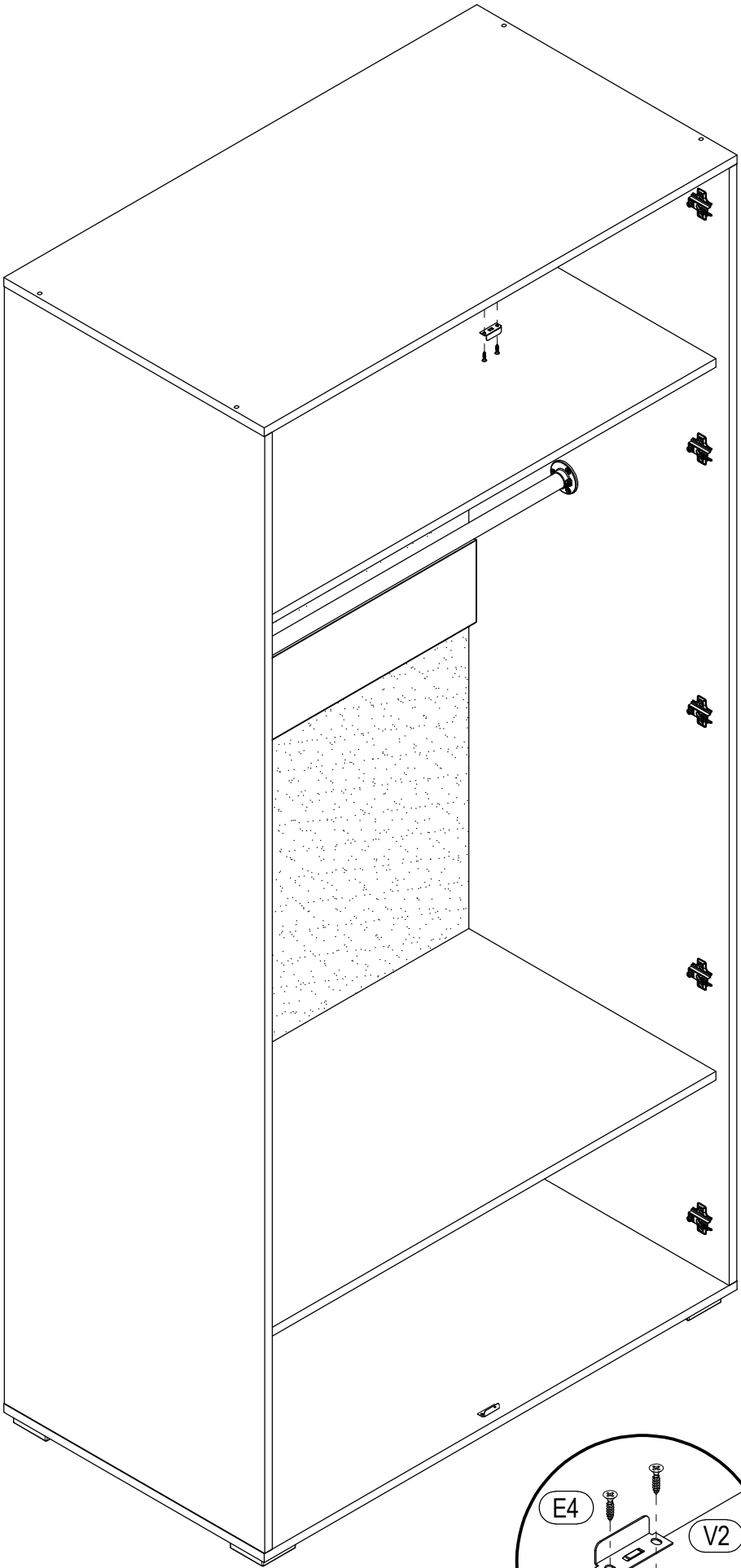
 V2 x2		

№	a*b	x	№→...
1L	2044x550	x1	1/3
1R	2044x550	x1	1/3
2	999x550	x2	2/3
3	965x530	x2	2/3
4	965x150	x1	2/3
5L	2038x478	x1	3/3
6R	2038x478	x1	3/3
7	2072x496	x2	1/3
		x1	2/3

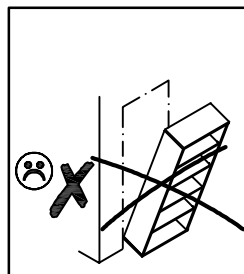
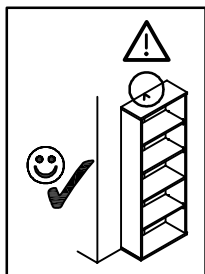
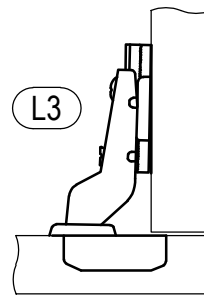
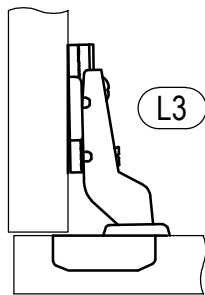
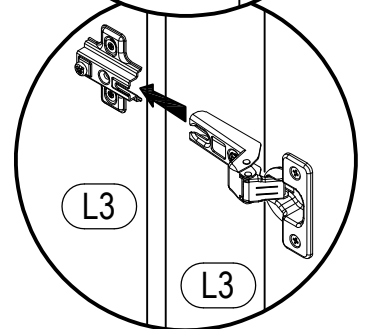
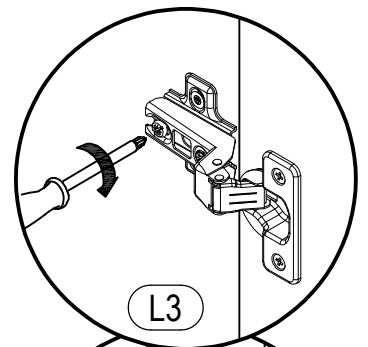
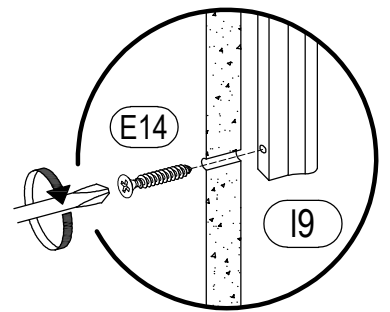
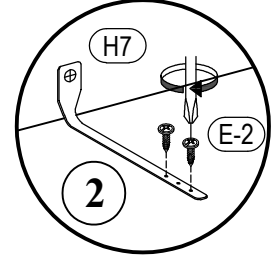
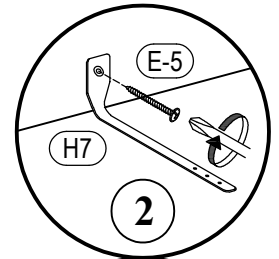
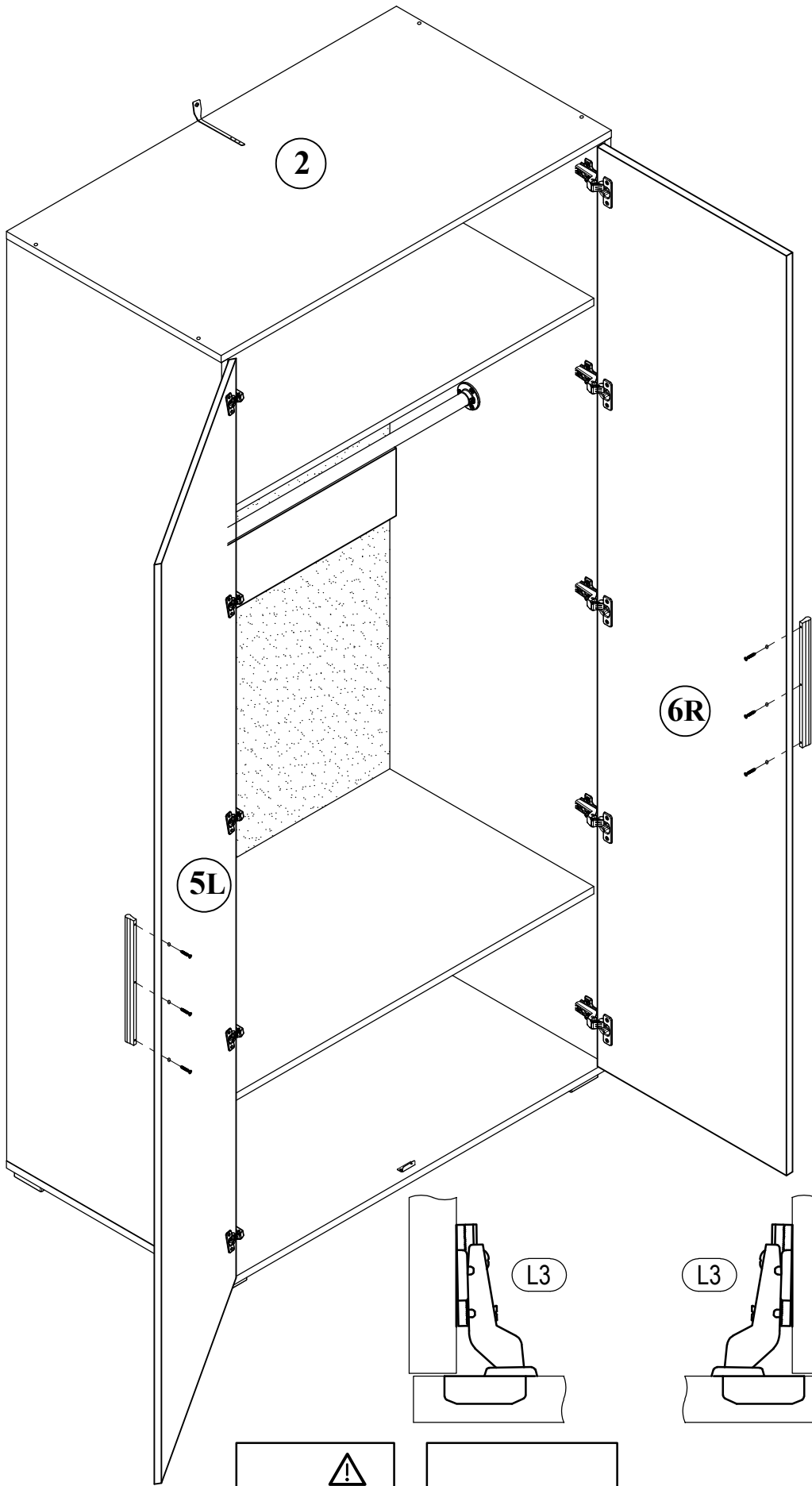
TONY
wardrobe 2D



TONY wardrobe 2D

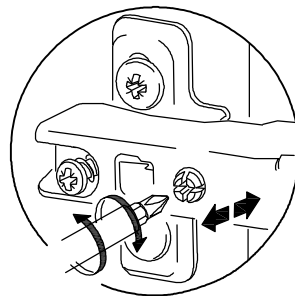
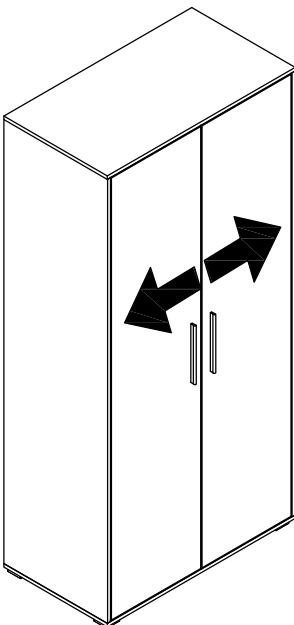
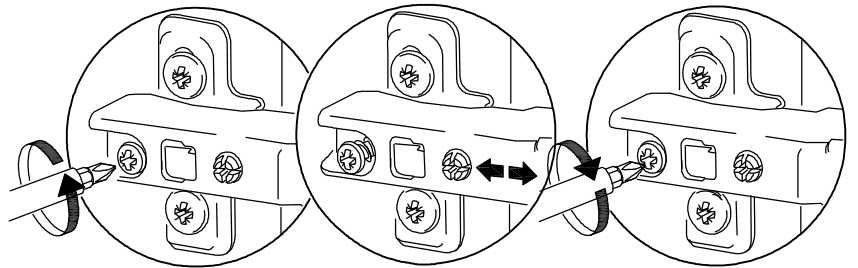
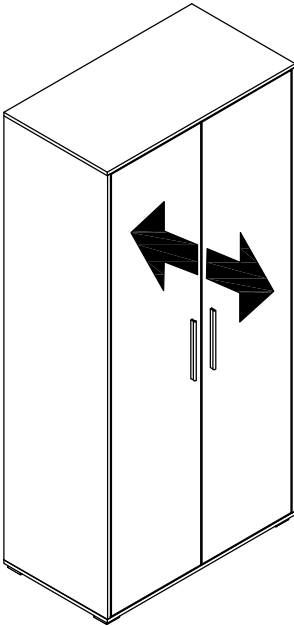
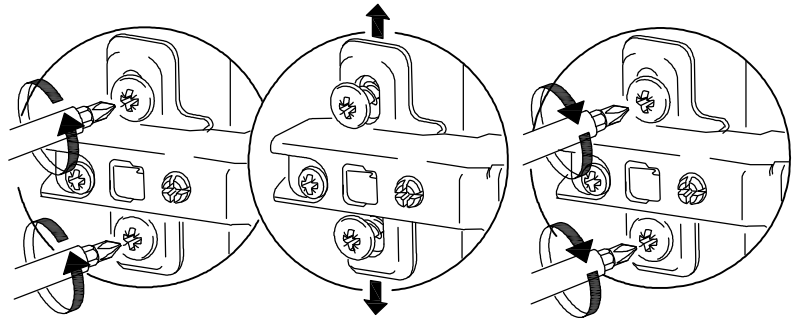
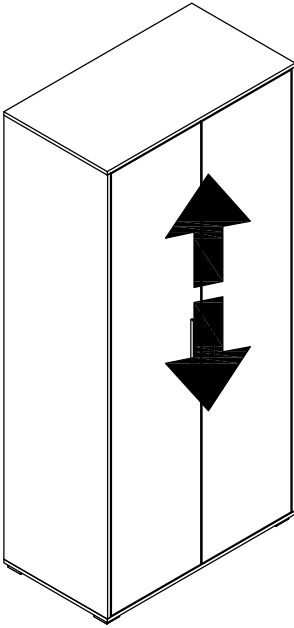


TONY wardrobe 2D



TONY

wardrobe 2D



TONY wardrobe 2D

