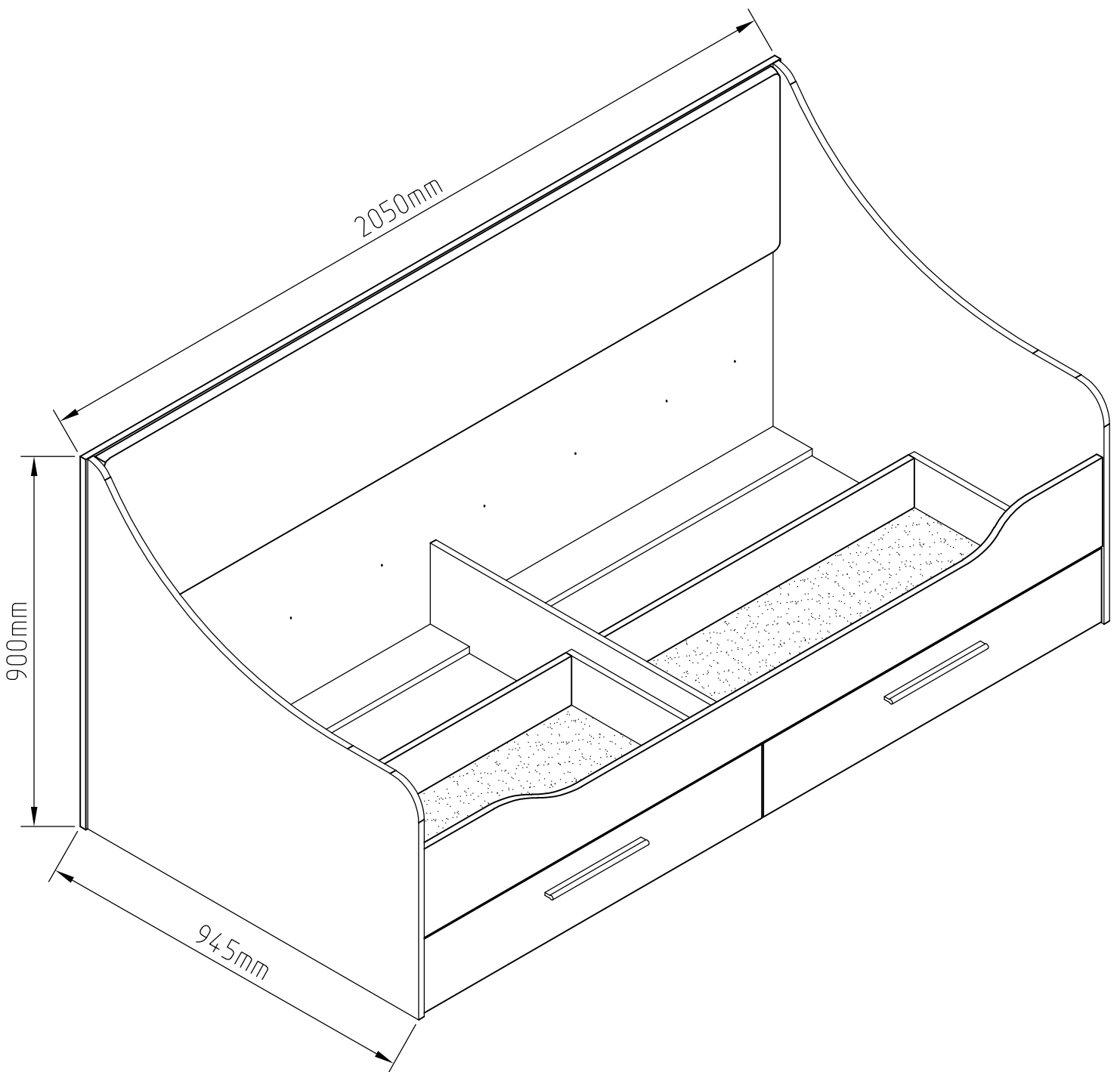


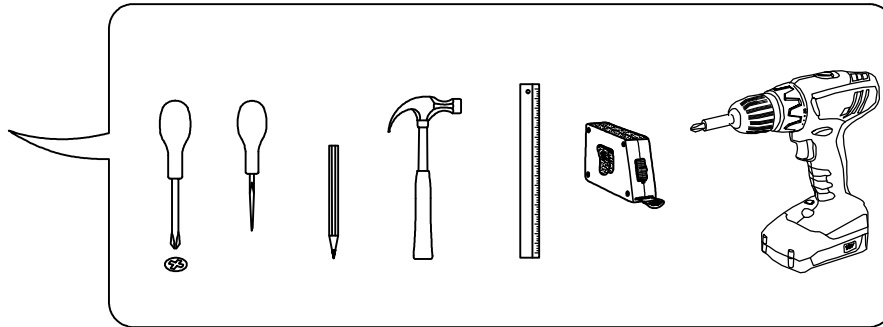
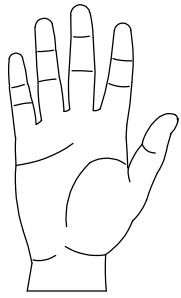
TWIST

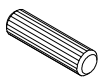
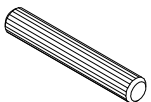

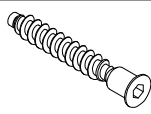
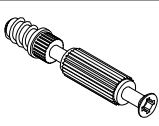
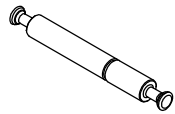


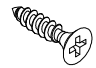

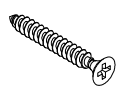
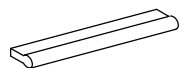

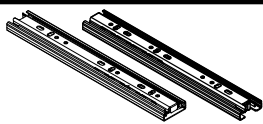
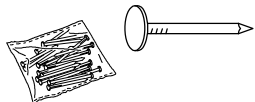
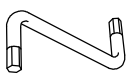
SINGLE BED 2Dr



TWIST

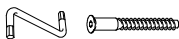
single bed 2Dr



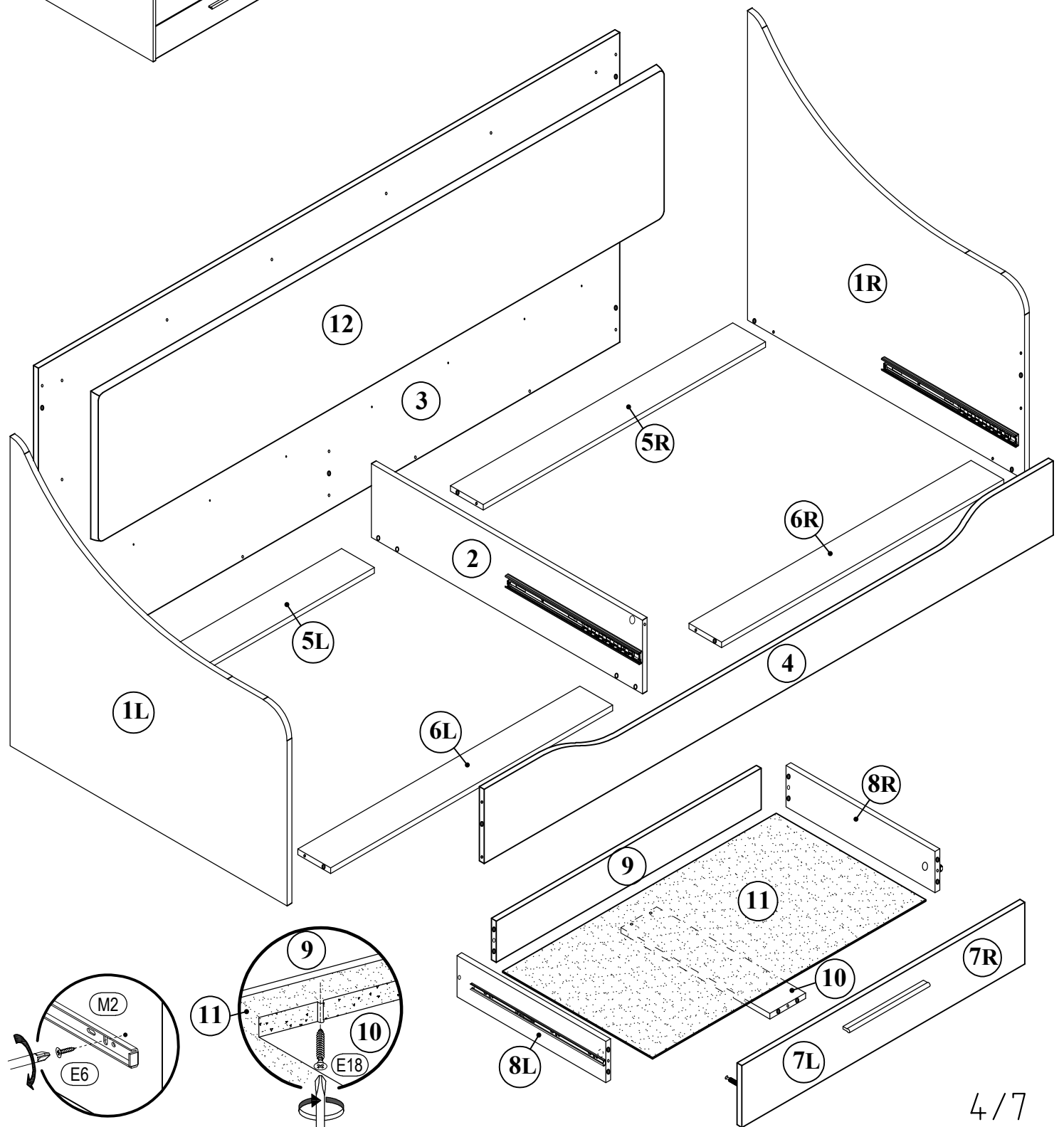
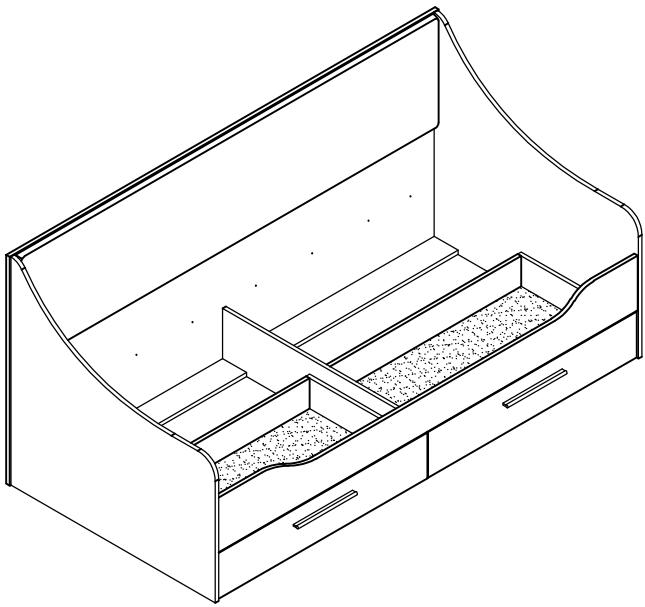
 (A1) 8*30mm x31	 (A2) 8*50mm x2	 (B) x16
 (B1) 6,3*50mm x16	 (C1) 6*43mm x15	 (C2) 8*65mm x2
 (D) ϕ 20mm x19	 (D1) 15/16 x19	 (E6) 3,5*16 x16
 (E18) 4*50mm x4	 (E15) 4*30mm x18	 (I9) x2
 (K1) x14	 (M2) L-450mm x2	 (R3) 1.4*25mm 0.030kg
 (R4) N°4 x1		

TWIST

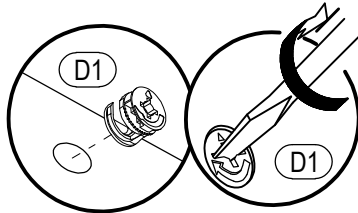
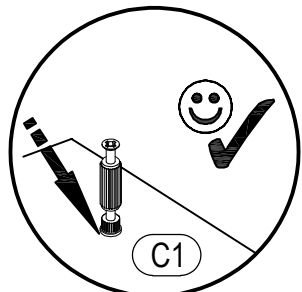
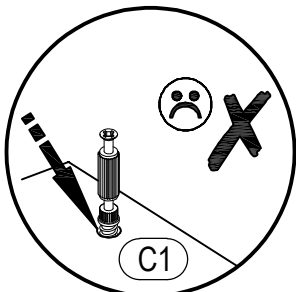
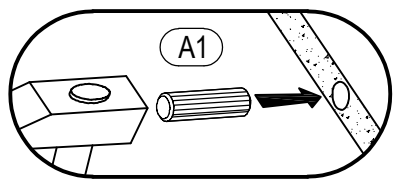
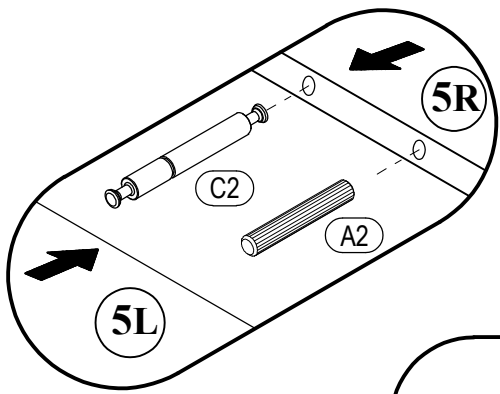
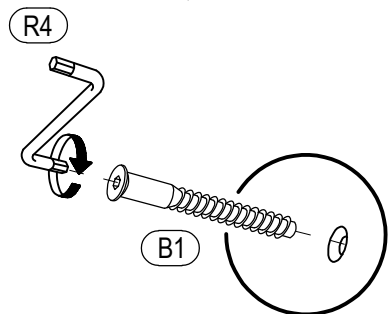
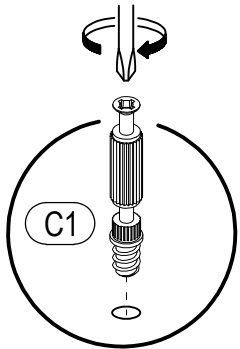
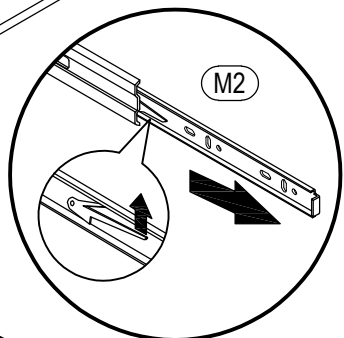
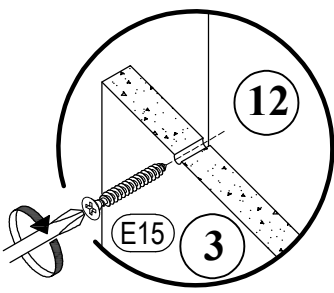
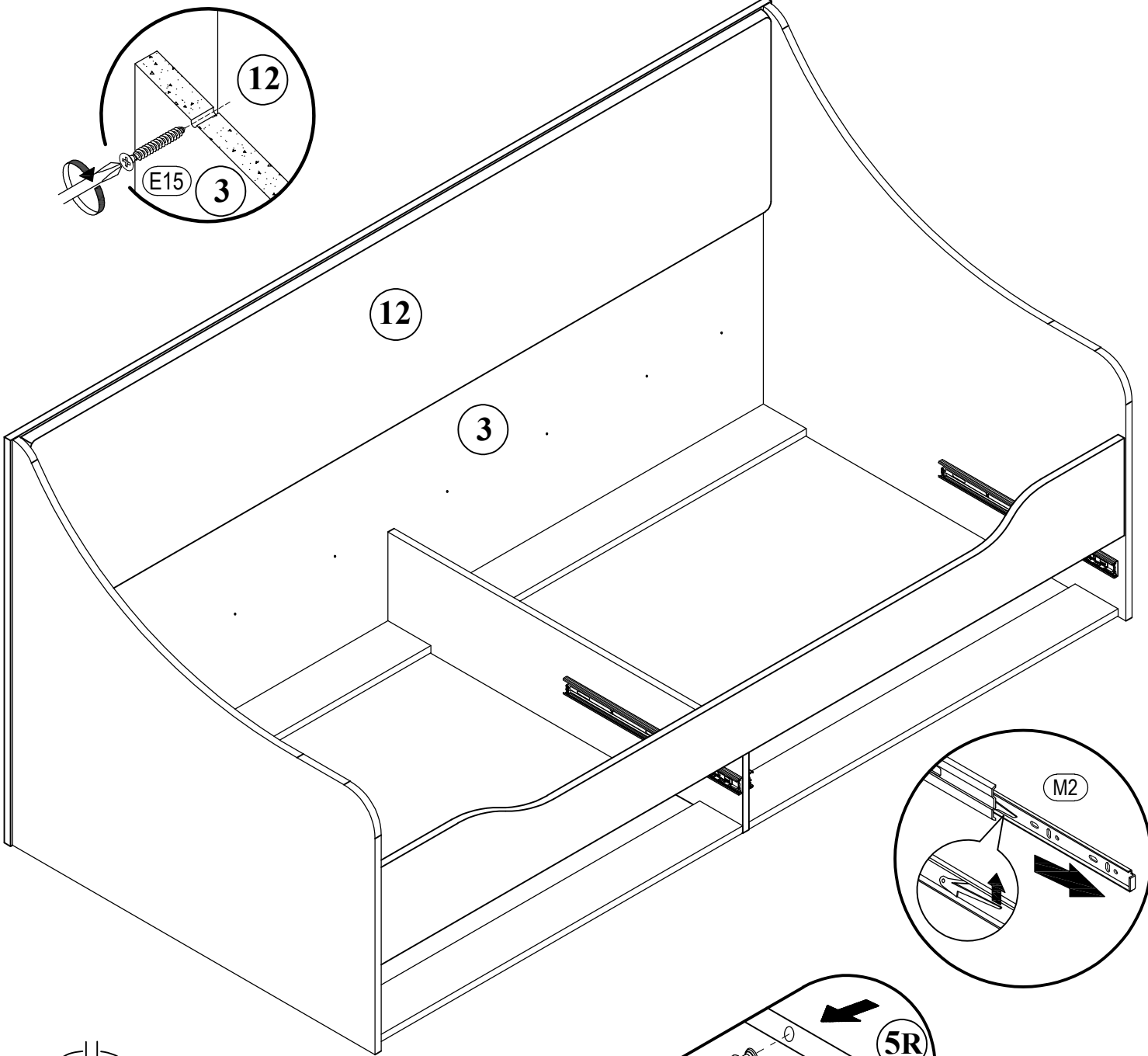
single bed 2Dr

No	a*b	x	N°→...
1L	930x900	x1	1/4
1R	930x900	x1	1/4
2	910x214	x1	2/4
3	2052x901	x1	1/4
4	910x216	x1	1/4
5L	997x110	x1	1/4
5R	997x110	x1	1/4
6L	997x110	x1	1/4
6R	997x110	x1	1/4
7L	1000x175	x1	3/4
7R	1000x175	x1	3/4
8L	500x120	x2	2/4
8R	500x120	x2	2/4
9	939x120	x2	2/4
10	500x120	x2	2/4
11	968x503	x2	1/4
12	2000x430	x1	4/4
		x1	2/4

TWIST
single bed 2Dr

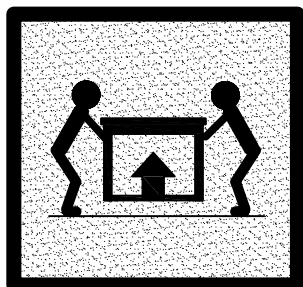
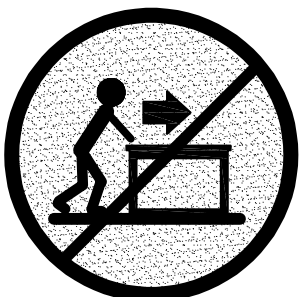
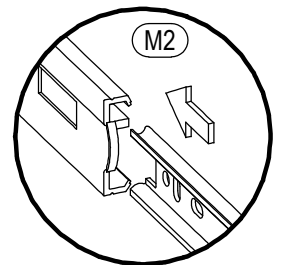
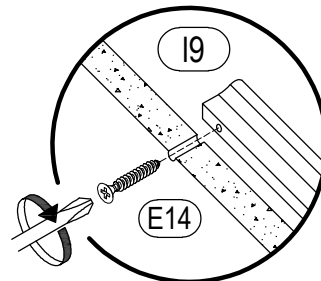
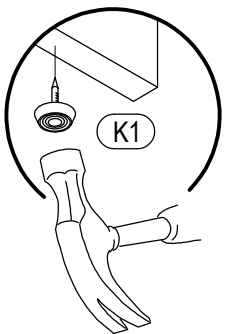
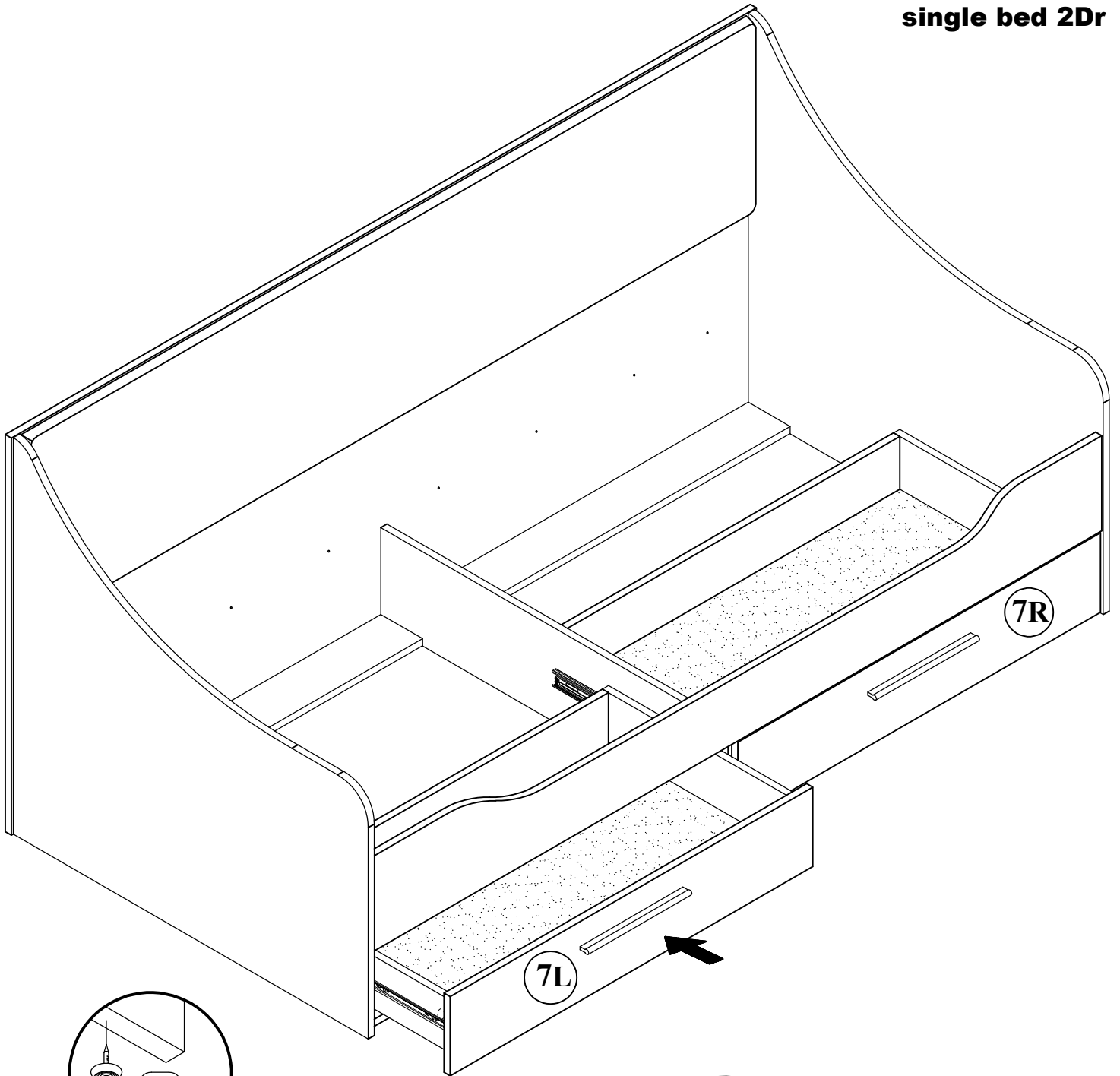


TWIST
single bed 2Dr



TWIST

single bed 2Dr



TWIST

single bed 2Dr

