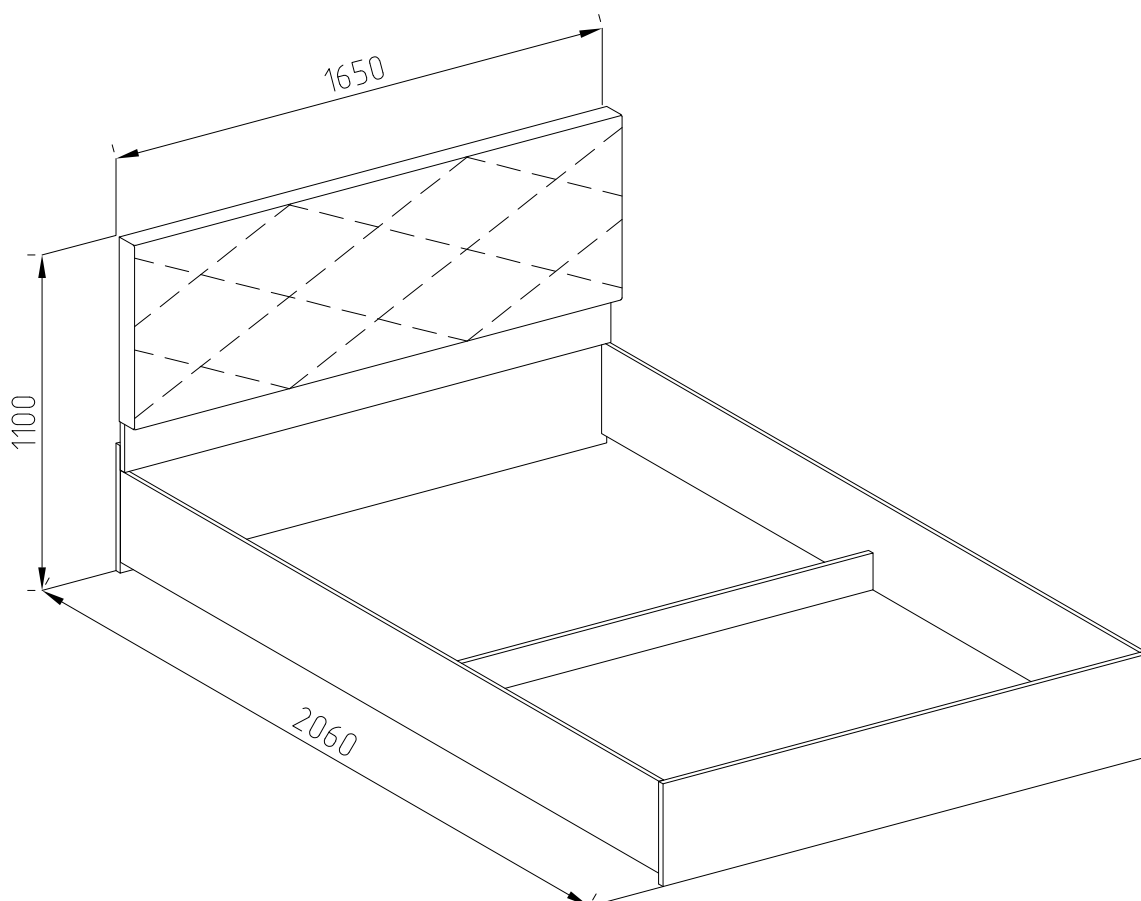
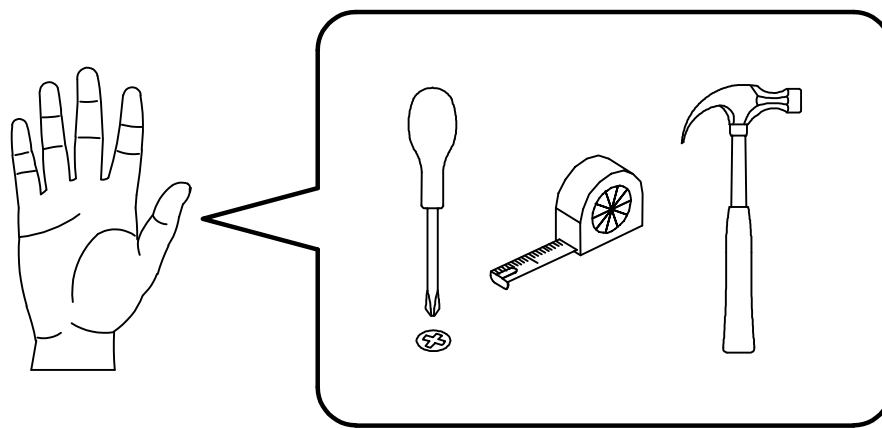

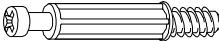
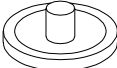

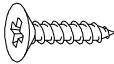
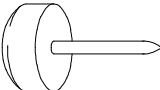
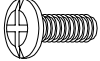
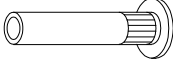
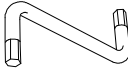
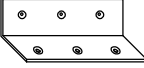


ROMBO

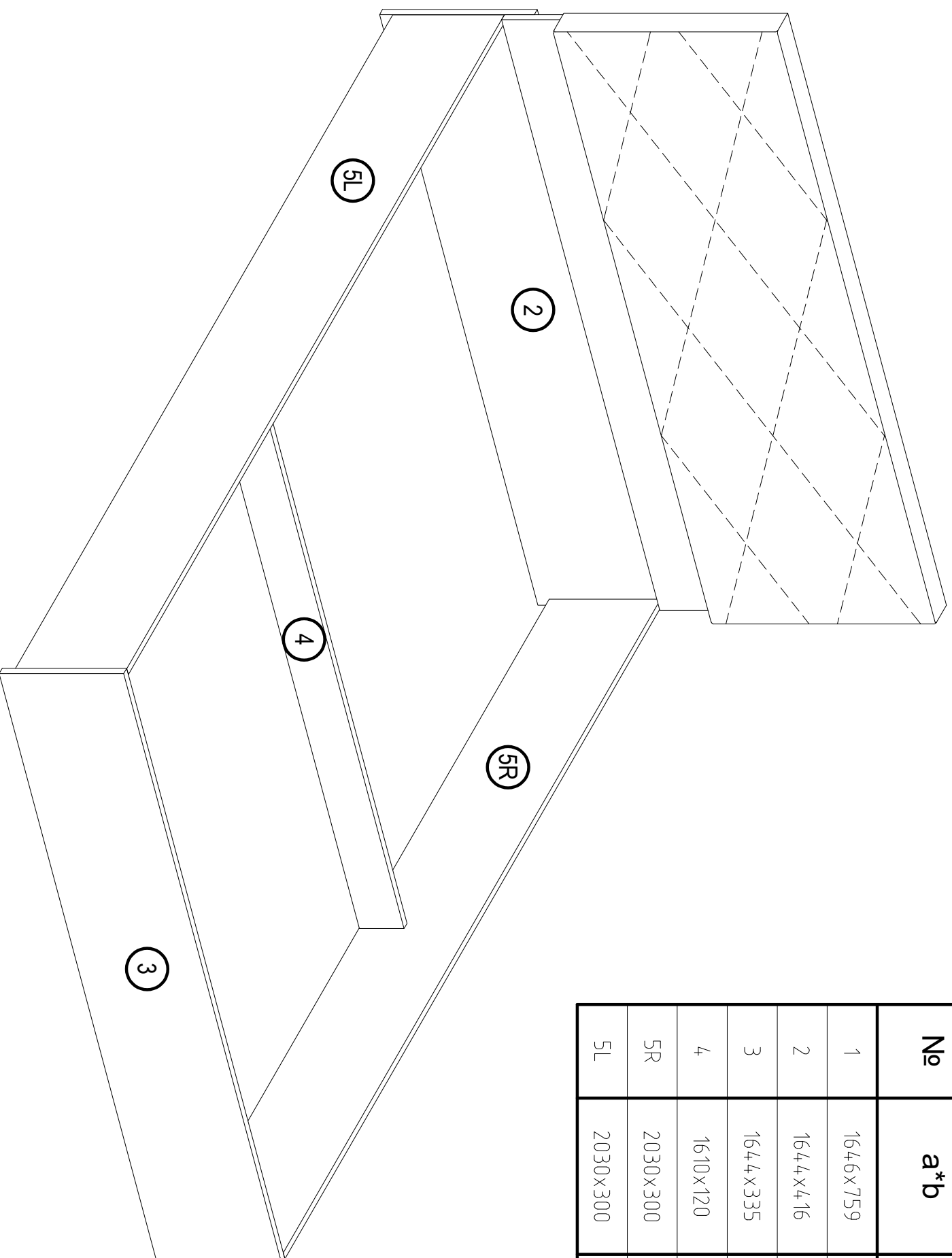
DOUBLE BED 1.6

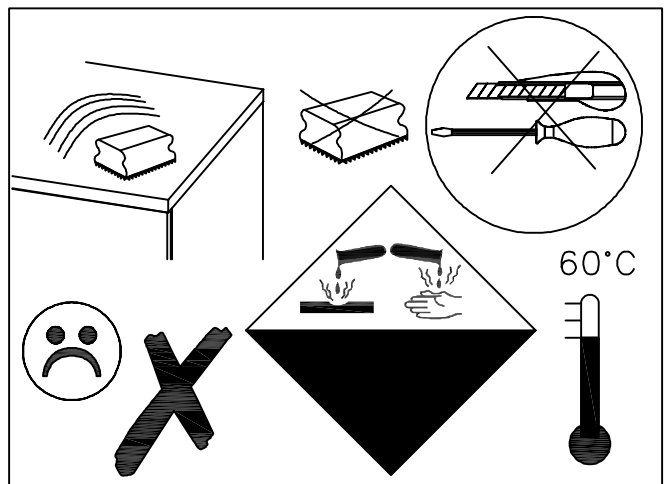
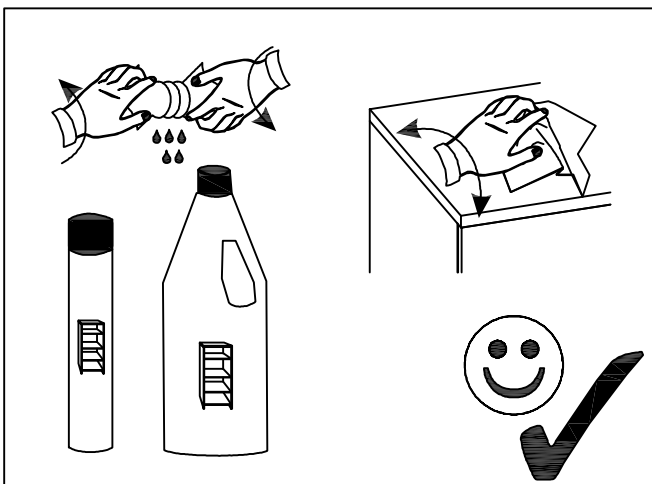
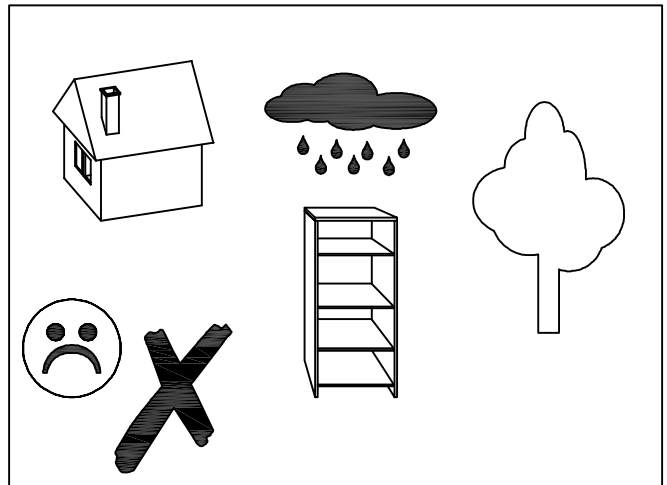
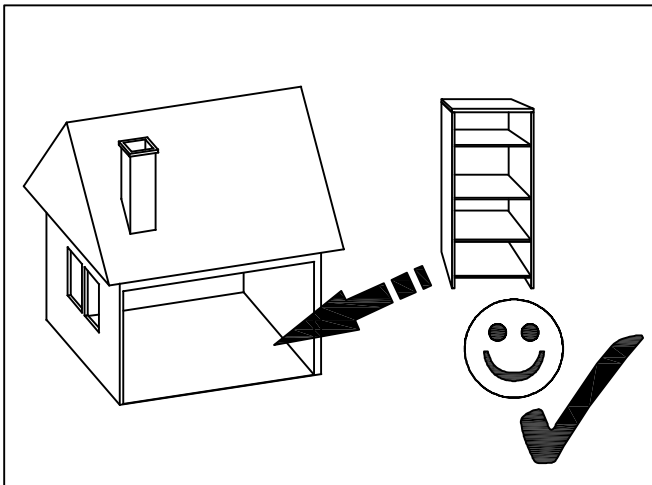
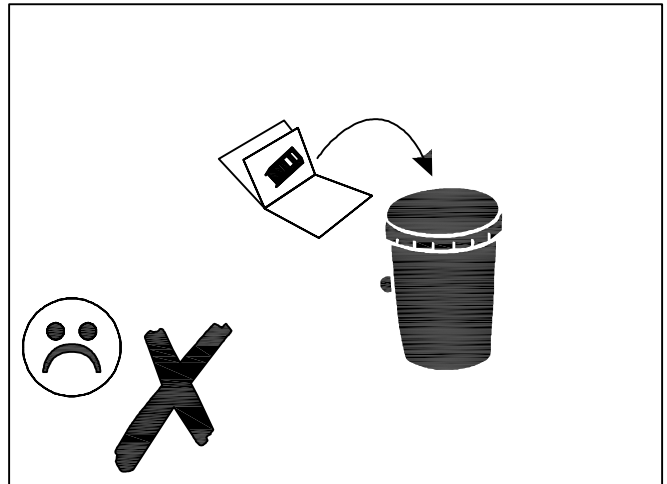
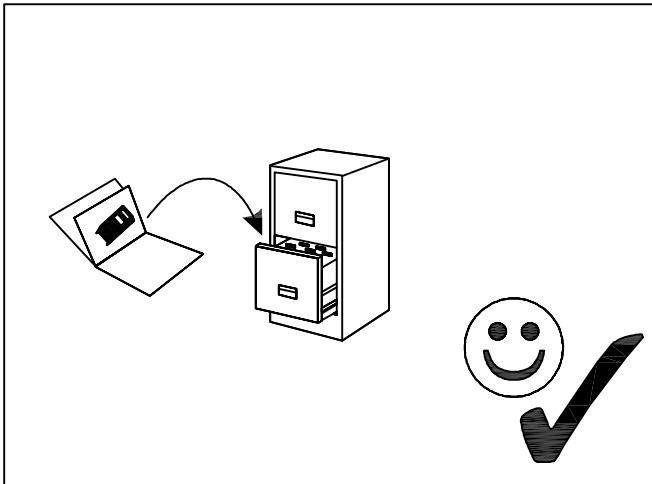




 A1 8*30mm x10	 C1 6*43mm x10	 D ϕ 20mm x10
 D1 15/16 x10	 E11 4*16mm x12	 K1 x8
  Q9 M 6 x5	 R4 N°4 x1	 S6 34x34x90 x2

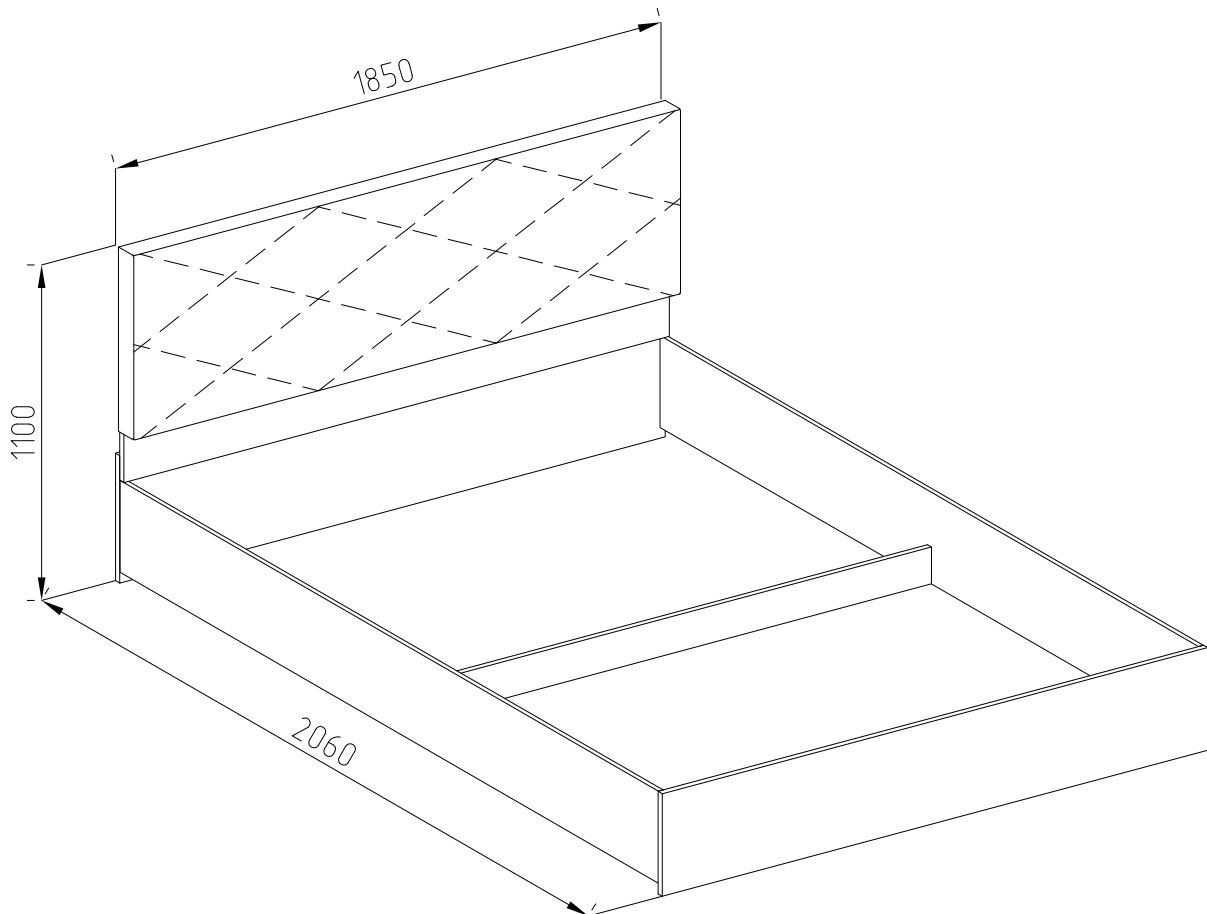
No	a*b	x
1	1646x759	1
2	1644x416	1
3	1644x335	1
4	1610x120	1
SR	2030x300	1
5L	2030x300	1



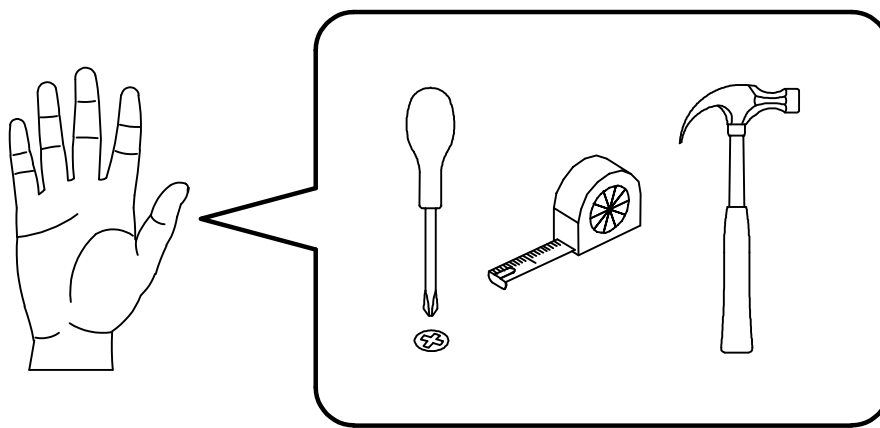



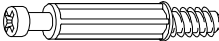
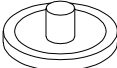


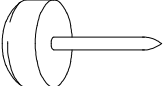
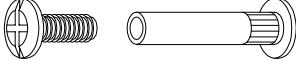
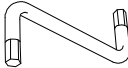
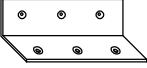
ROMBO

DOUBLE BED 1.8

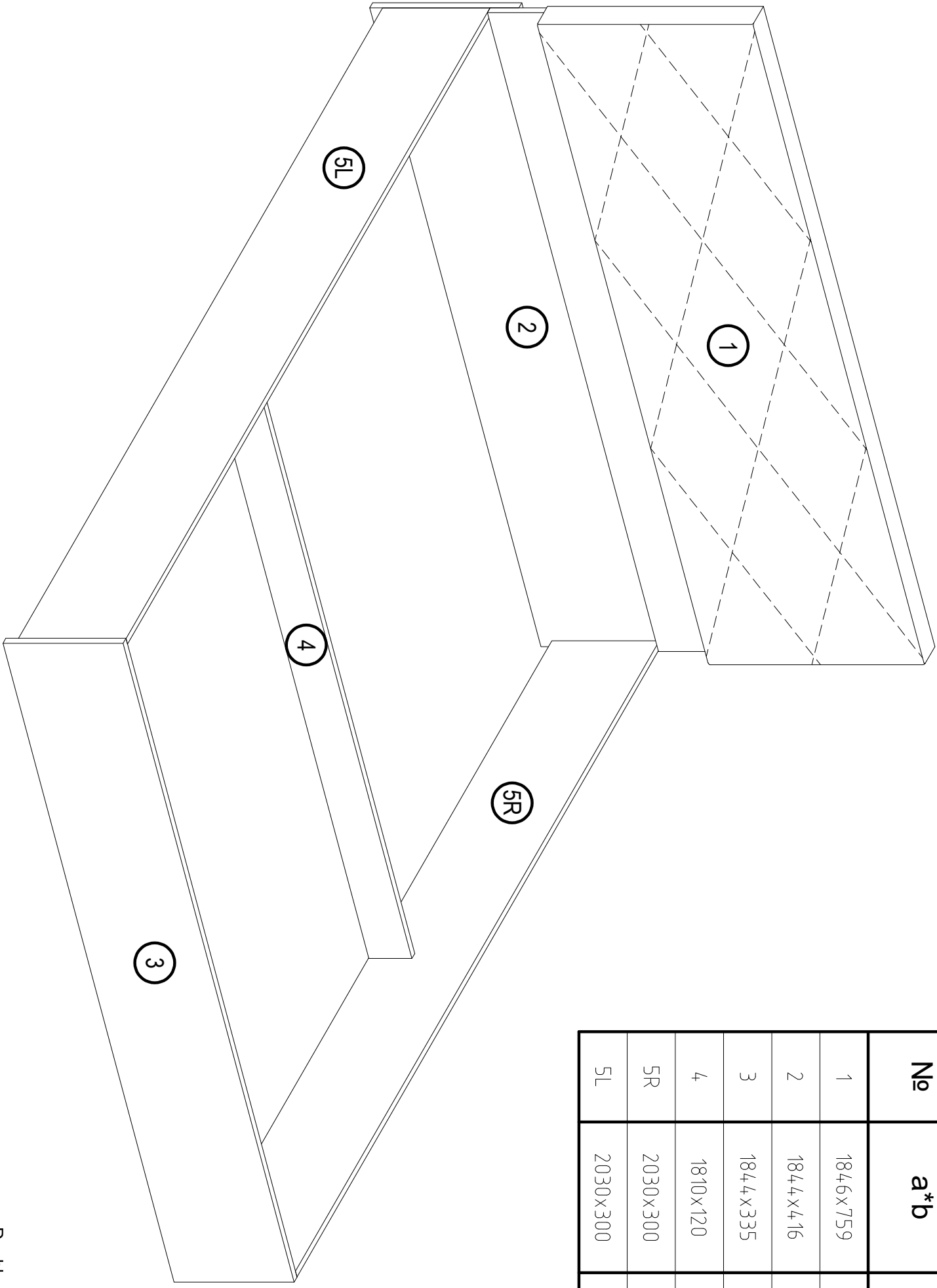


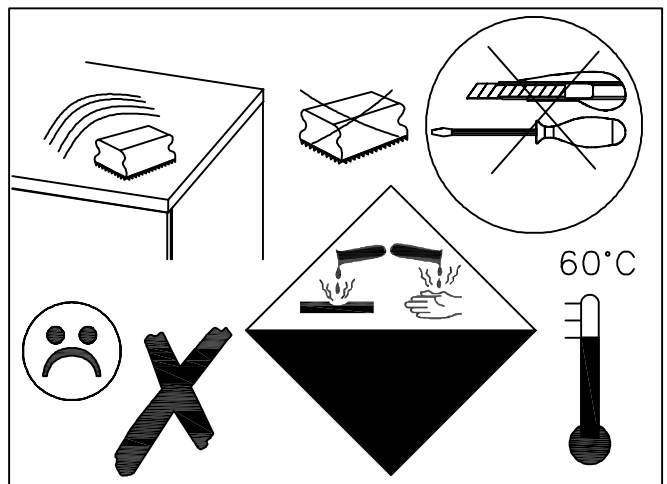
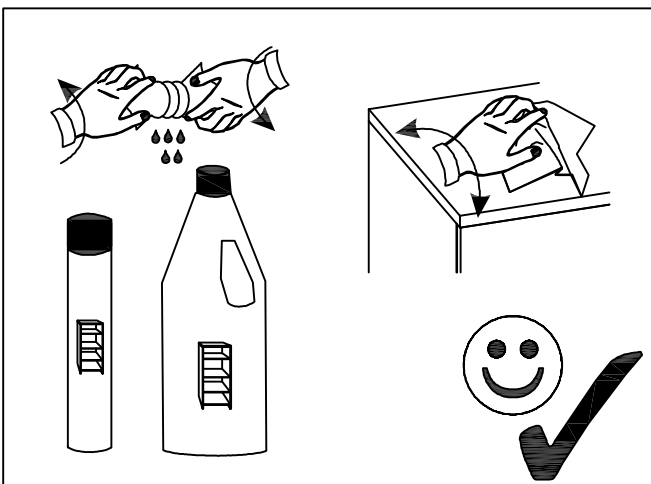
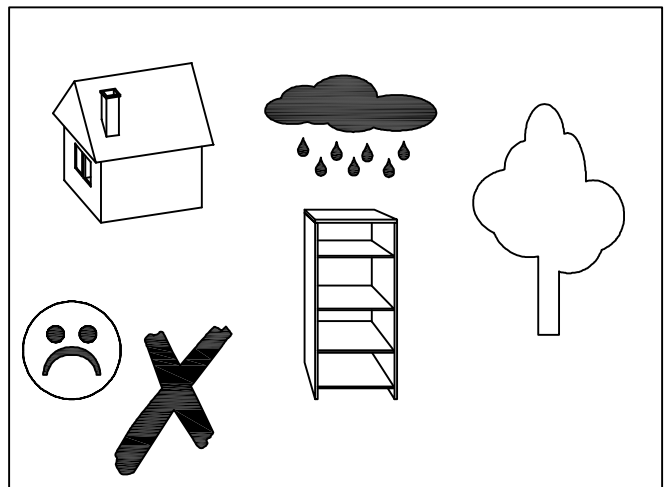
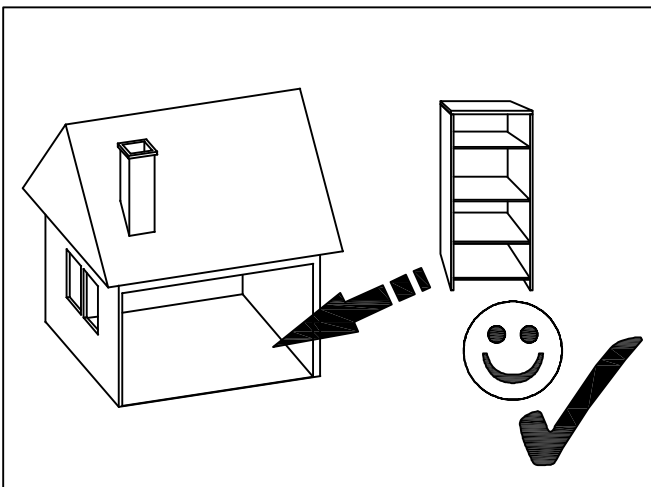
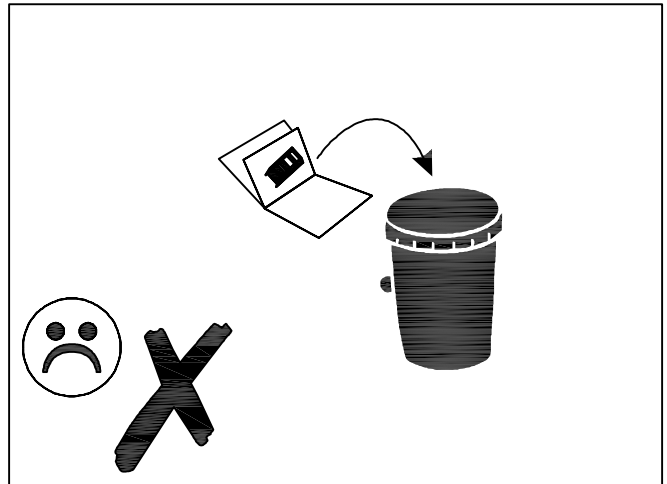
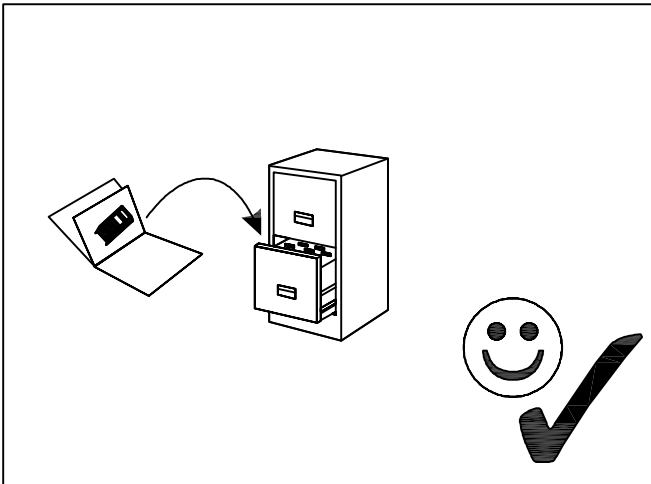
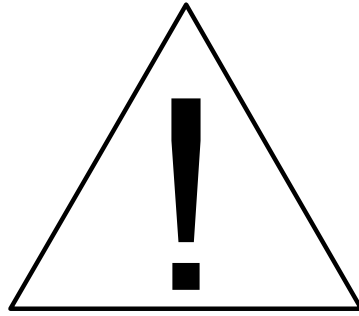
S.A.



 A1 8*30mm x10	 C1 6*43mm x10	 D ϕ 20mm x10
 D1 15/16 x10	 E11 4*16mm x12	 K1 x8
 Q9 M 6 x5	 R4 N°4 x1	 S6 34x34x90 x2

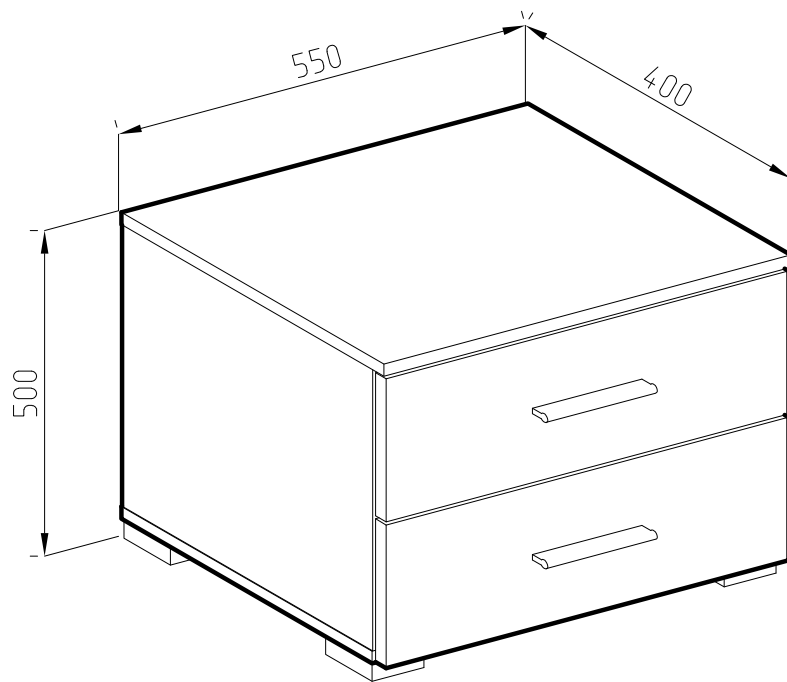
No	a*b	x
1	1846x759	1
2	1844x416	1
3	1844x335	1
4	1810x120	1
5R	2030x300	1
5L	2030x300	1



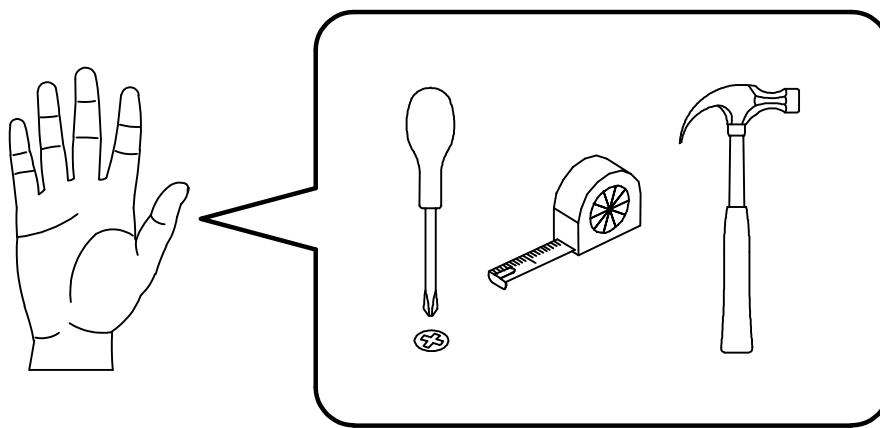





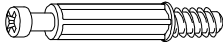
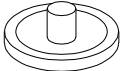

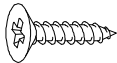
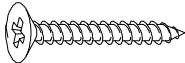
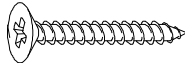
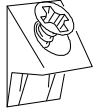
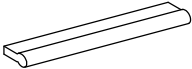
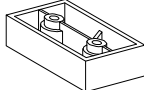
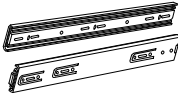

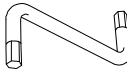
ROMBO

BEDSIDE CABINET

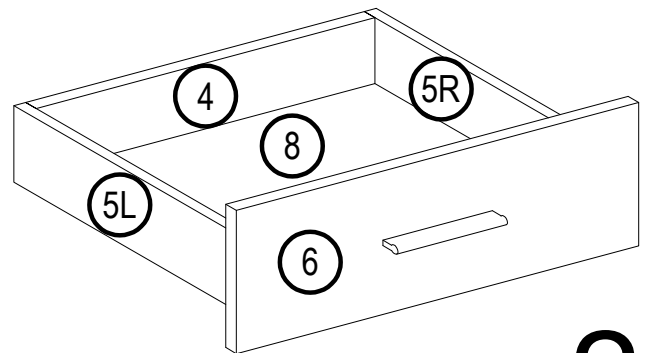
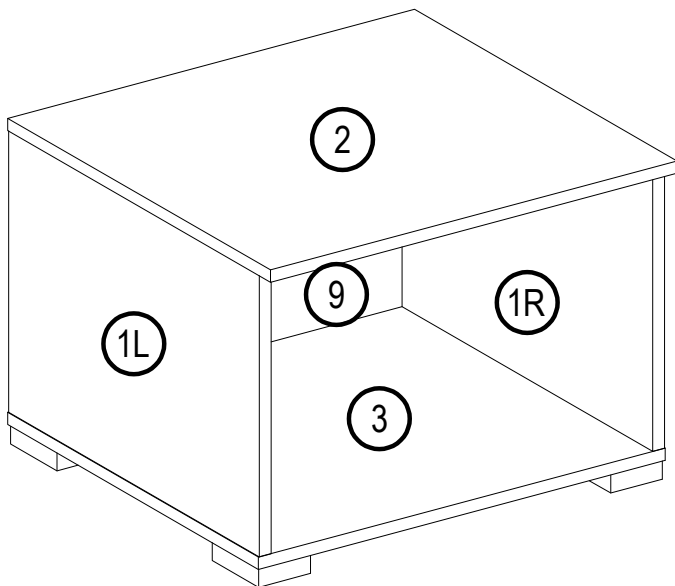


S.A.

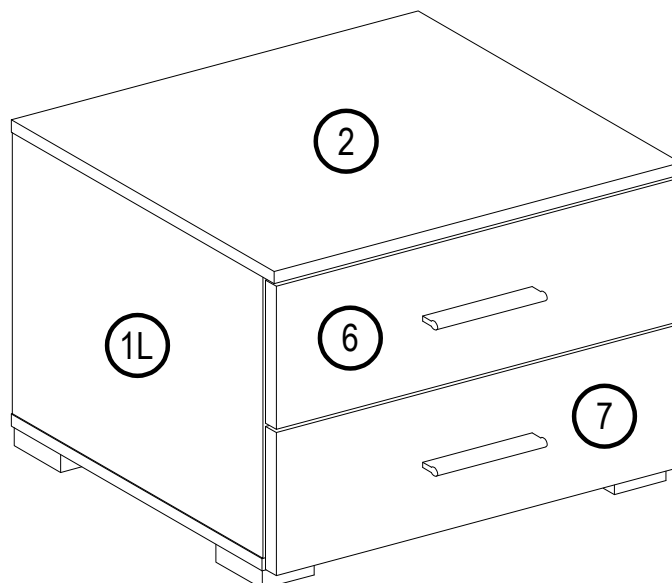


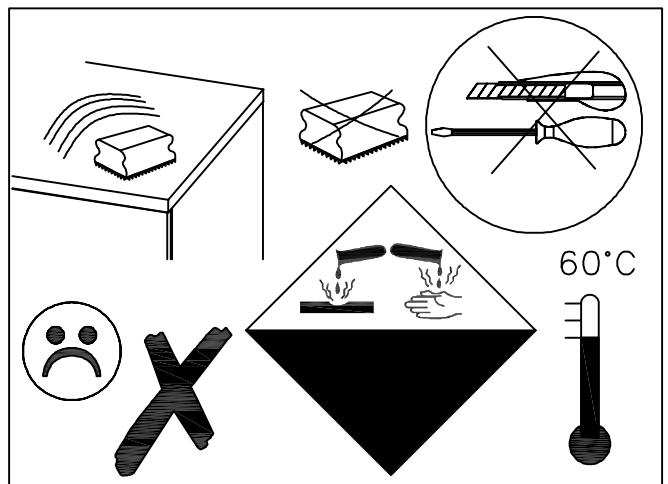
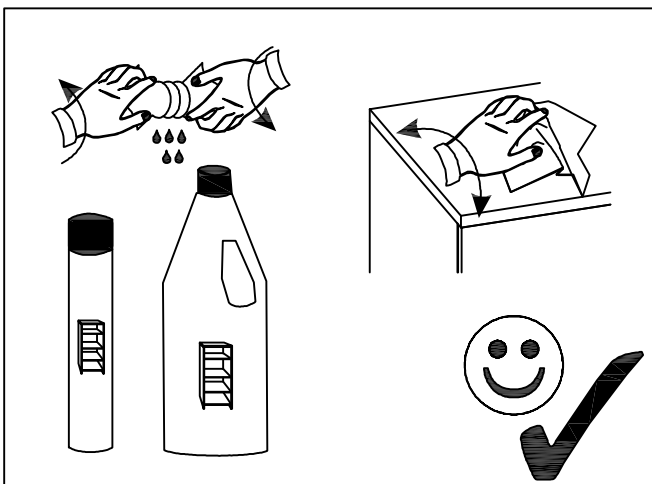
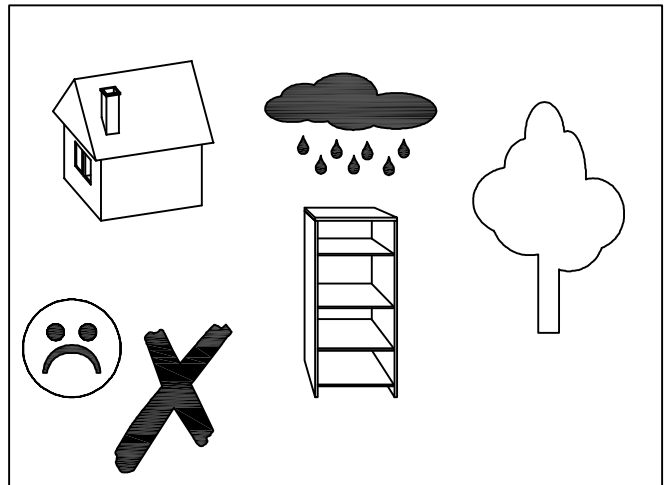
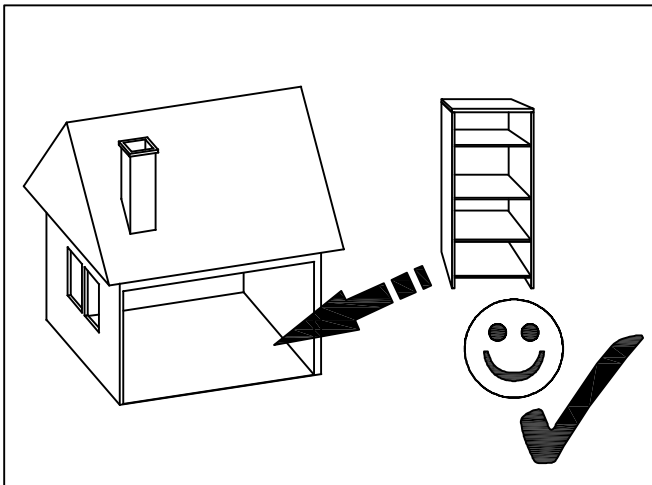
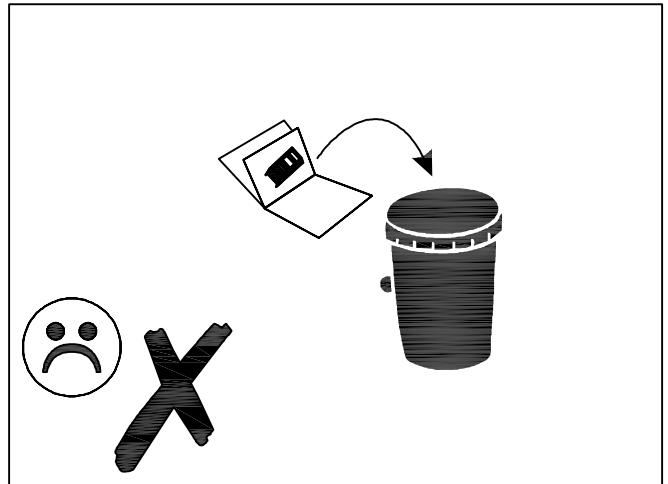
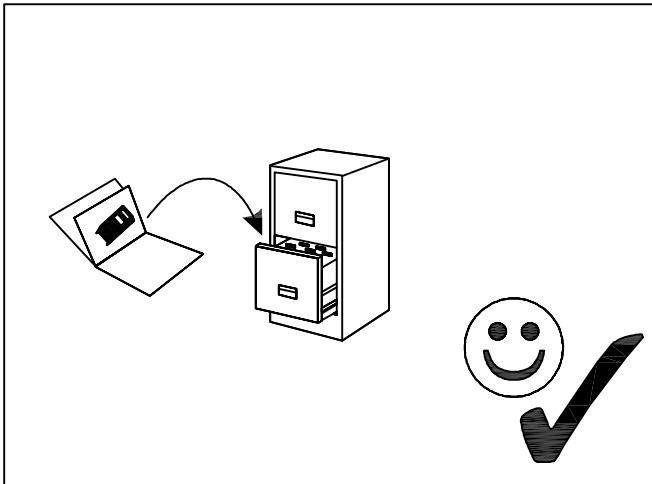
 (A1) 8*30mm x24	 (B) ϕ 12mm x4	 (B1) 6,3*50mm x8
 (C1) 6*43mm x8	 (D) ϕ 20mm x8	 (D1) 15/16 x8
 (E5) 3,5*16mm x16	 (E12) 4*20mm x8	 (E13) 4*25mm x4
 (H2) x4	 (I9) x2	 (K19) 20x40x60 x4
 (M2) 350mm x2	 (R3) 1,4*25mm 10g	 (R4) N°4 x1

No	a*b	x	No	a*b	x
1R	448x378	1	5R	350x120	2
1L	448x378	1	5L	350x120	2
2	550x396	1	6	544x227	1
3	550x378	1	7	544x227	1
4	458x120	2	8	467x343	2
			9	544x476	1



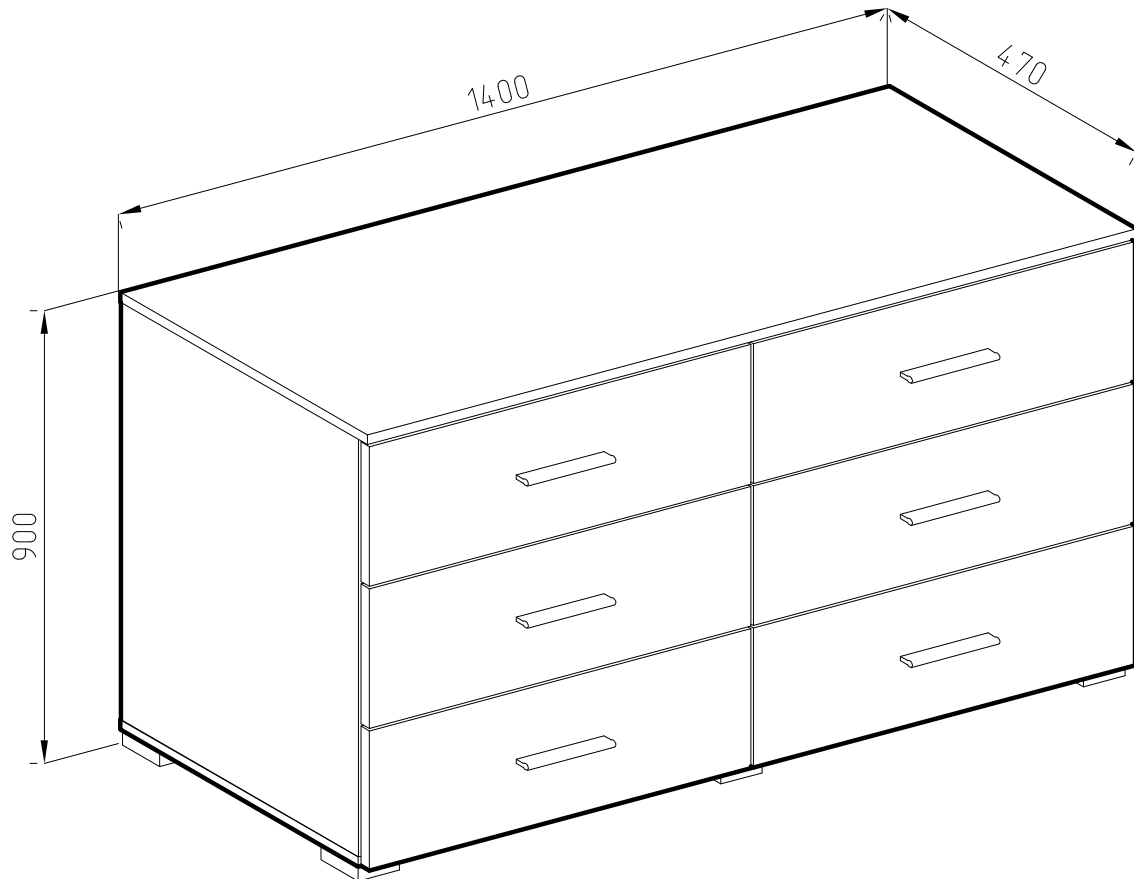
x2



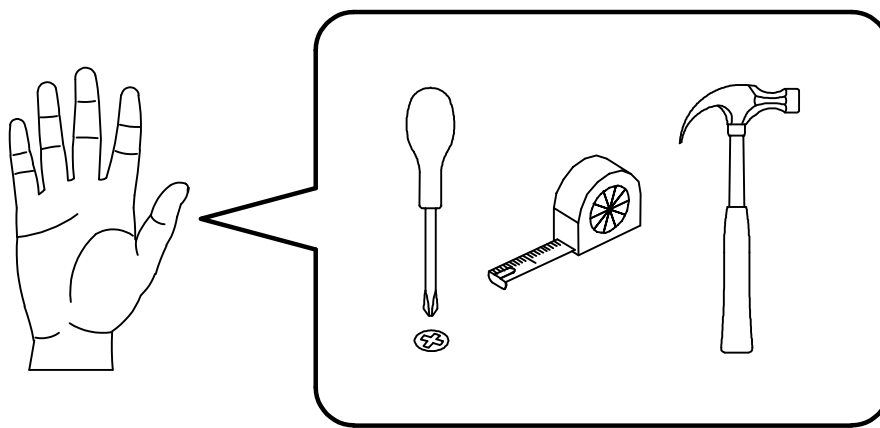





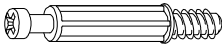
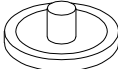
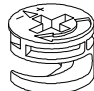



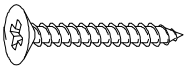
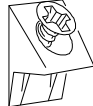
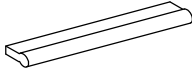
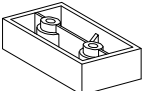
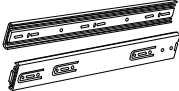

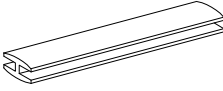

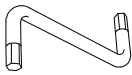
ROMBO

CHEST OF DRAWERS 3D+3D

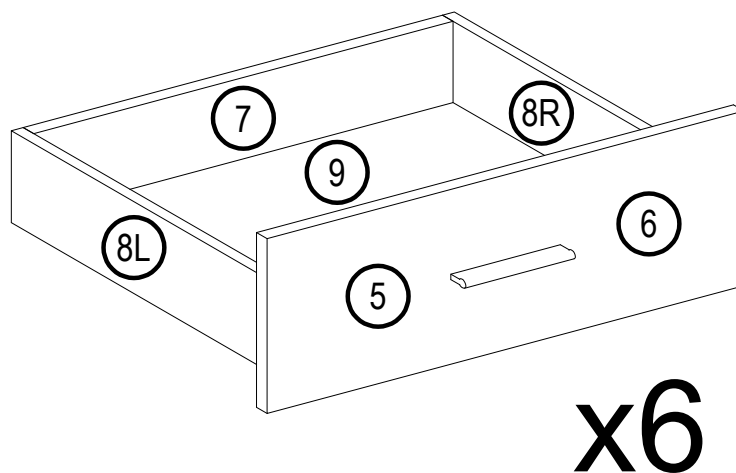


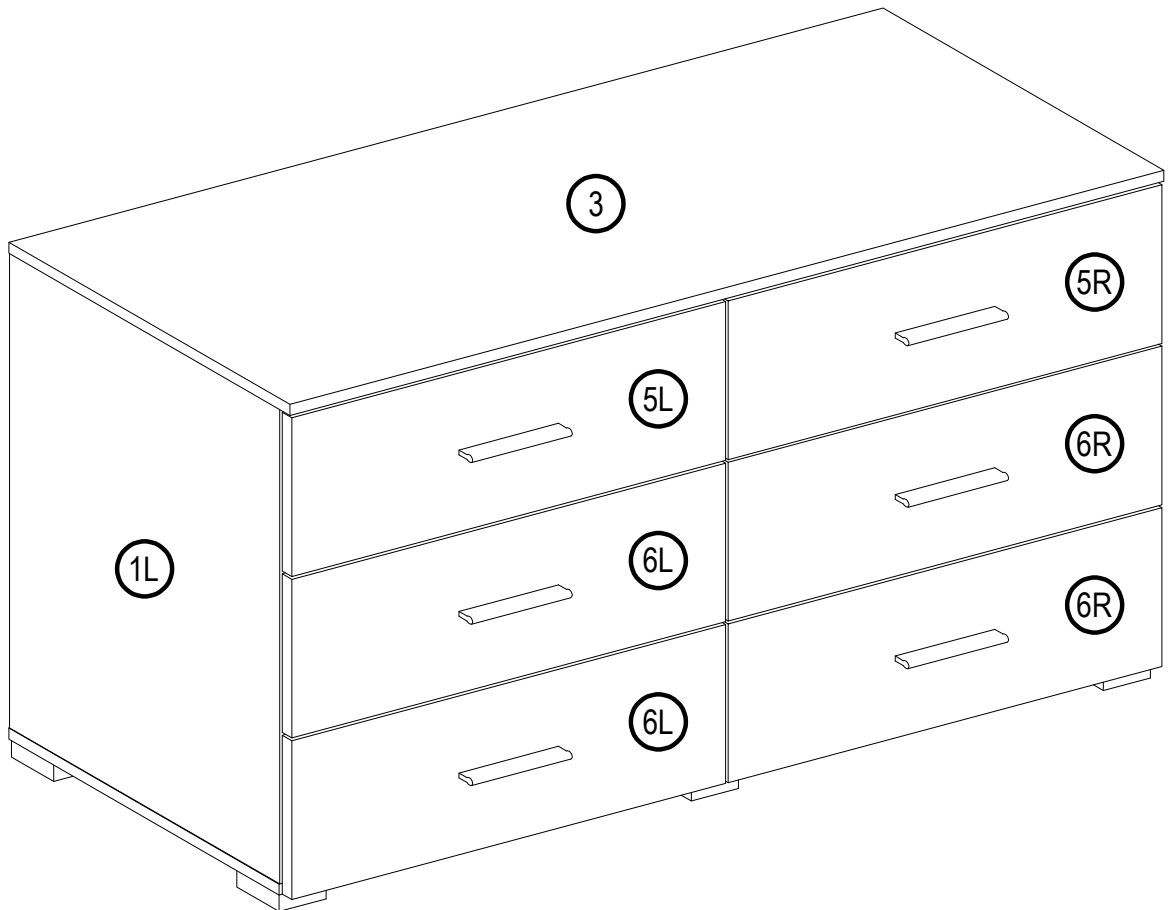
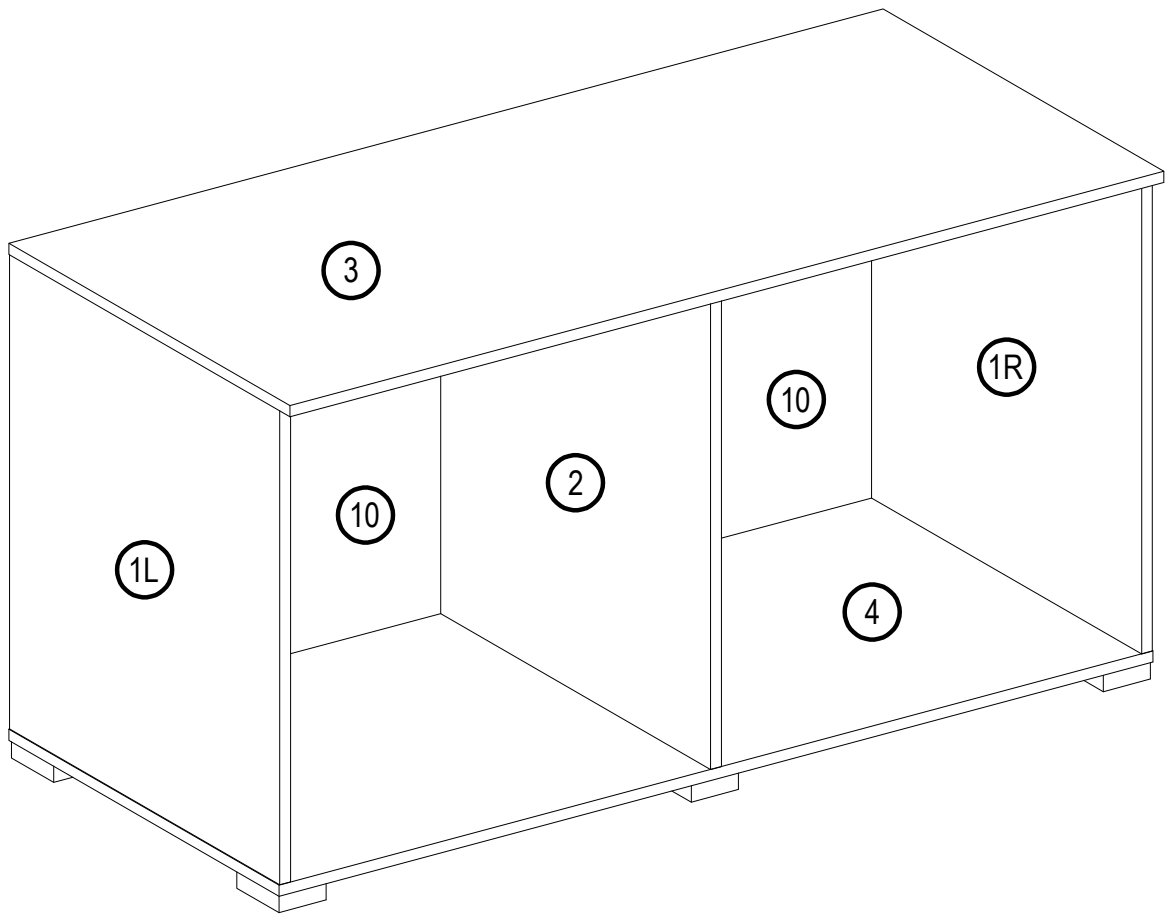
S.A.

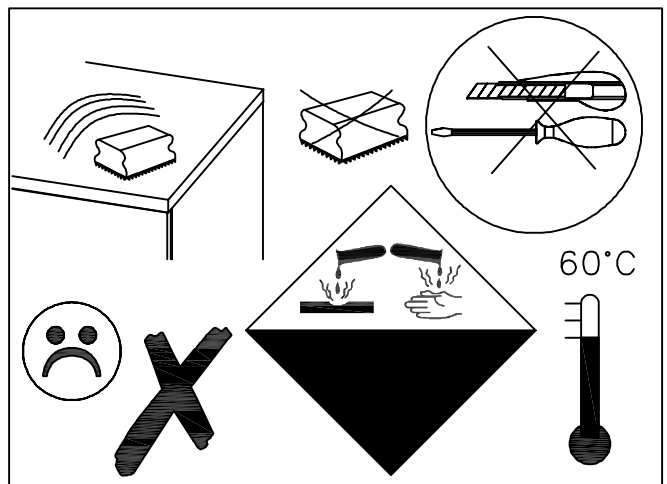
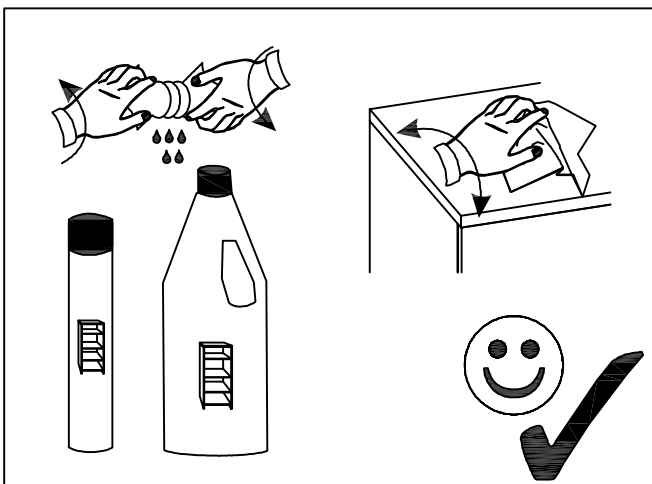
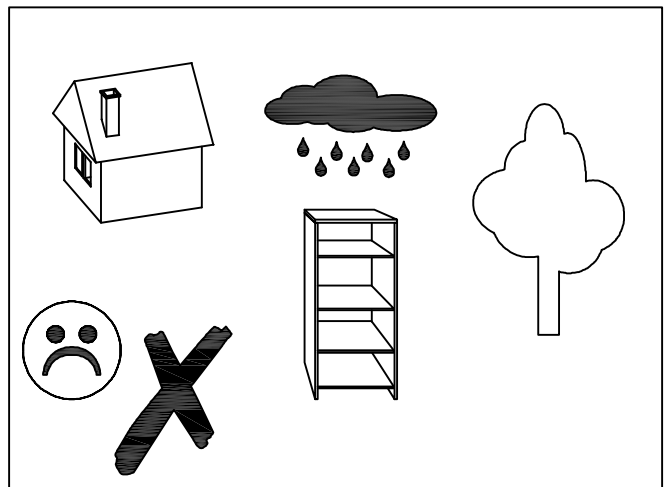
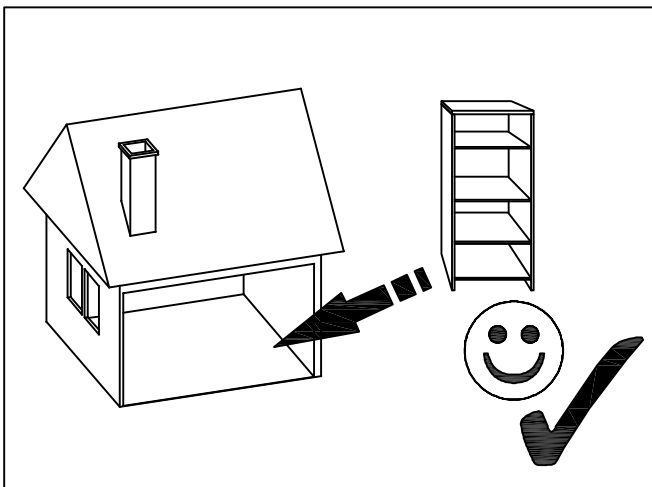
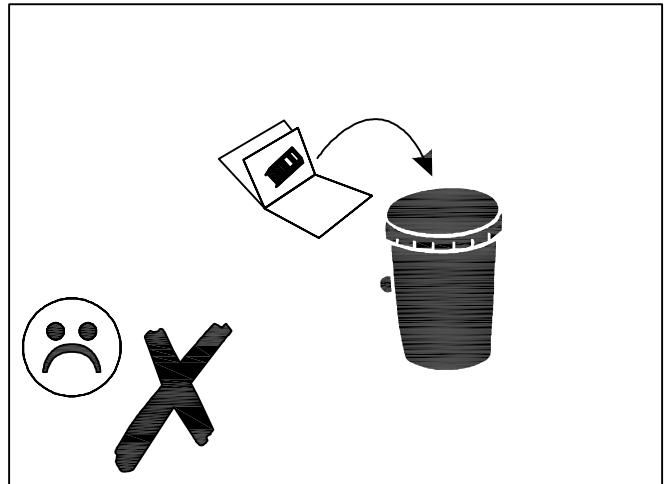
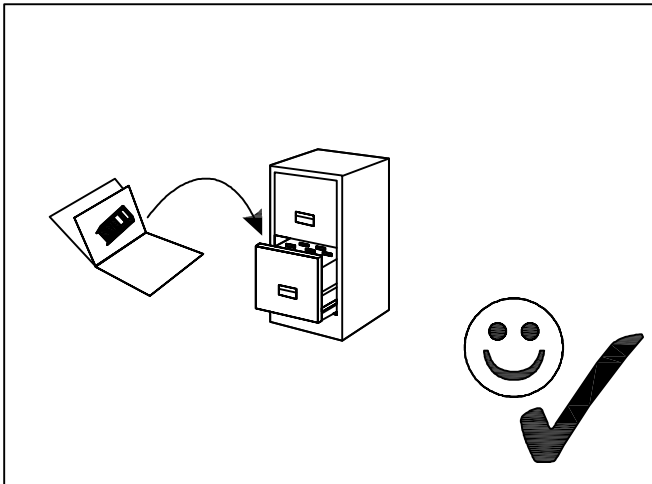
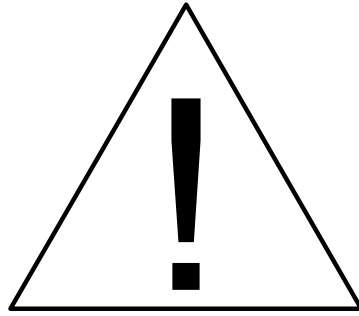


 A1 8*30mm x60	 B ϕ 12mm x12	 B1 6,3*50mm x18
 C1 6*43mm x18	 D ϕ 20mm x18	 D1 15/16 x18
 E4 3*20mm x4	 E5 3,5*16mm x48	 E12 4*20mm x12
 E13 4*25mm x12	 H2 x12	 I9 x6
 K19 20x40x60 x6	 M2 400mm x6	 O1 x4
 P10 L-1365 x1	 R3 1.4*25mm 30g	 R4 N°4 x1

No	a*b	x	No	a*b	x
1R	850x448	1	6R	695x284	2
1L	850x448	1	6L	695x284	2
2	850x448	1	7	617x160	6
3	1400x466	1	8R	400x160	6
4	1400x448	1	8L	400x160	6
5R	695x284	1	9	626x393	6
5L	695x284	1	10	1394x438	2

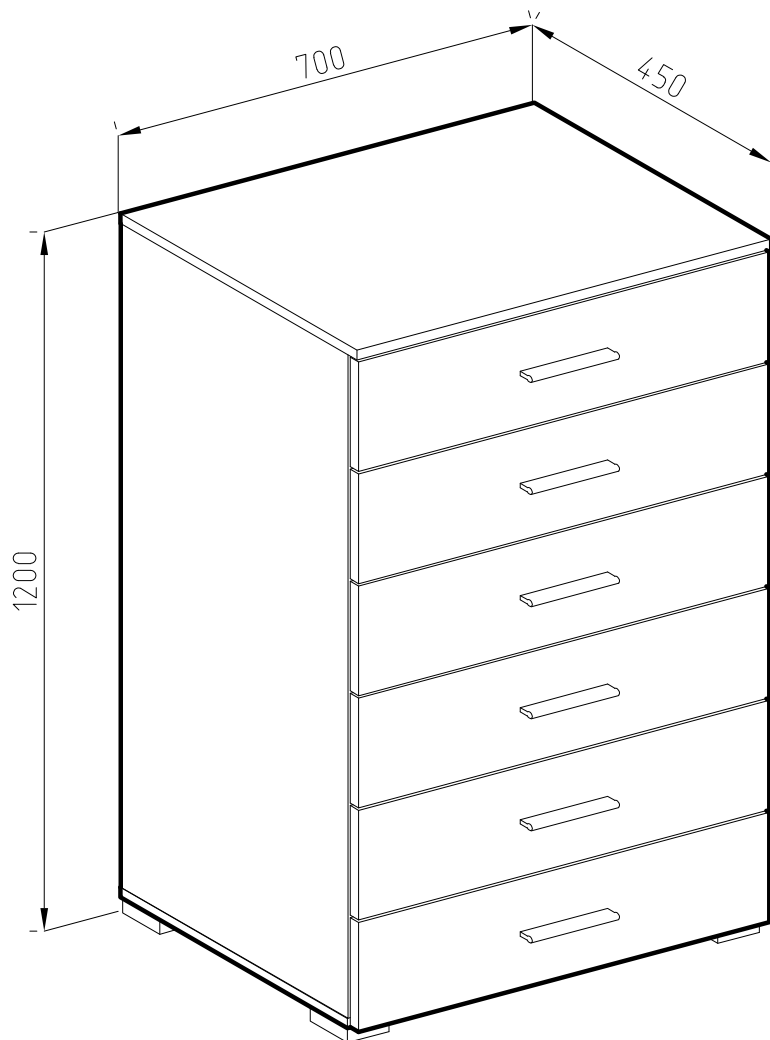




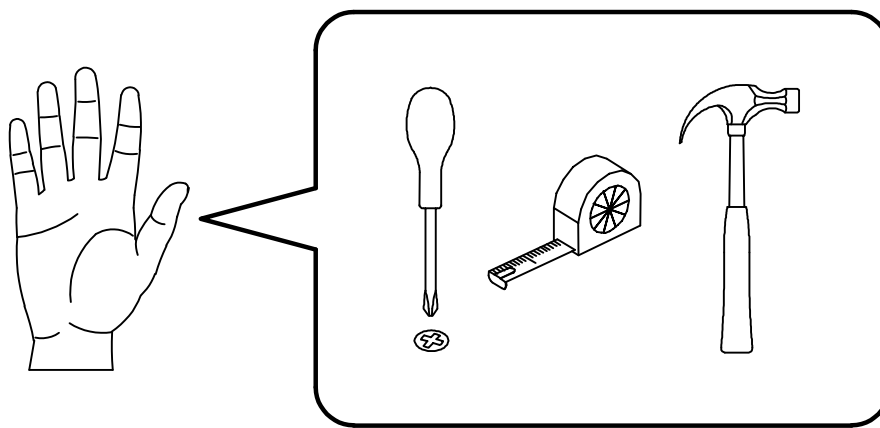





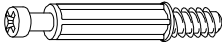
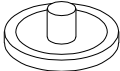

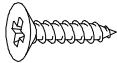
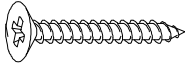
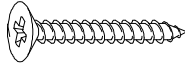
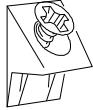
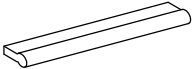
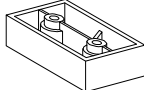
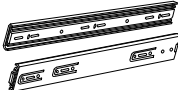
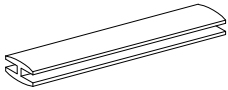

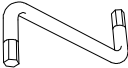
ROMBO

CHEST OF DRAWERS 6D

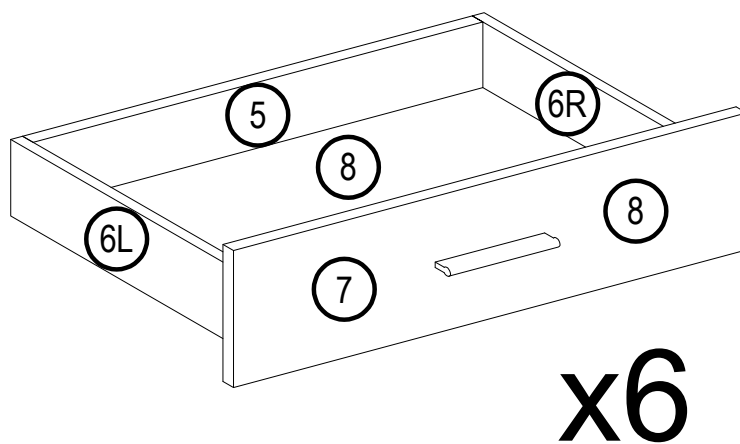


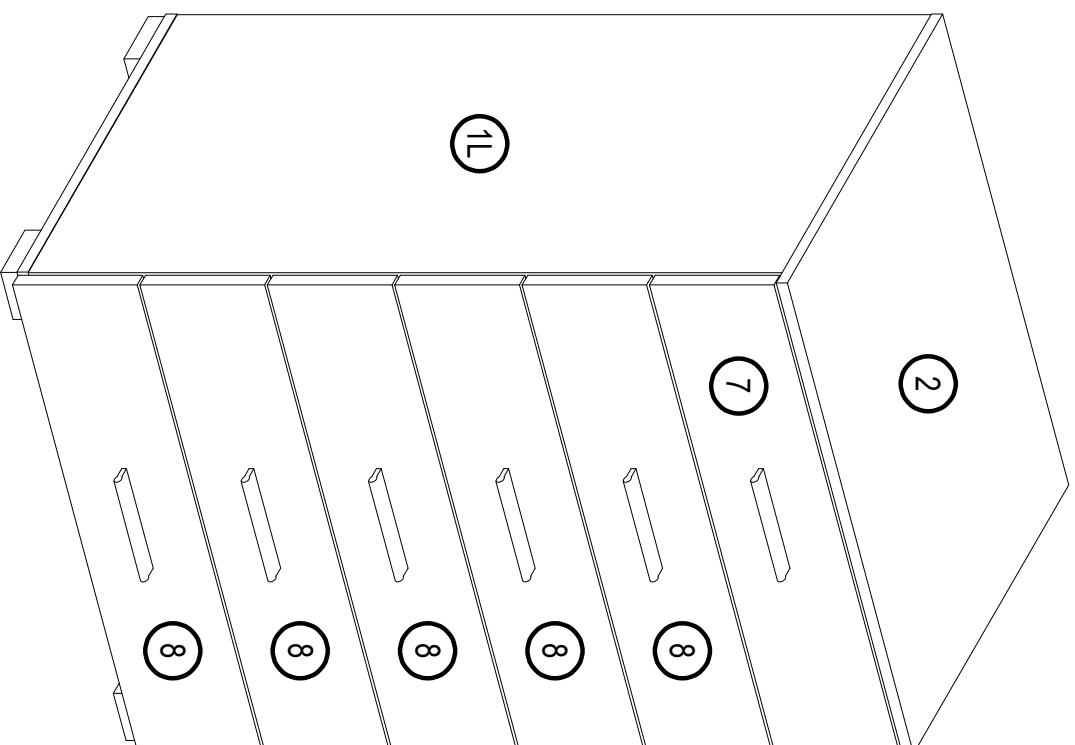
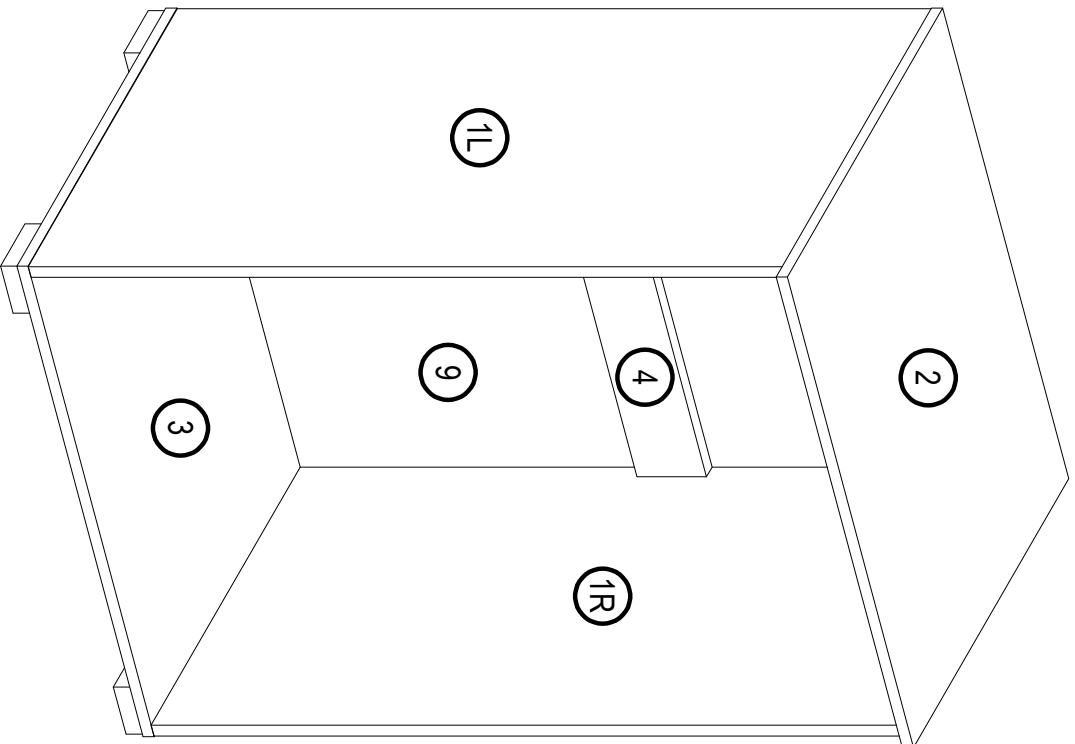
S.A.

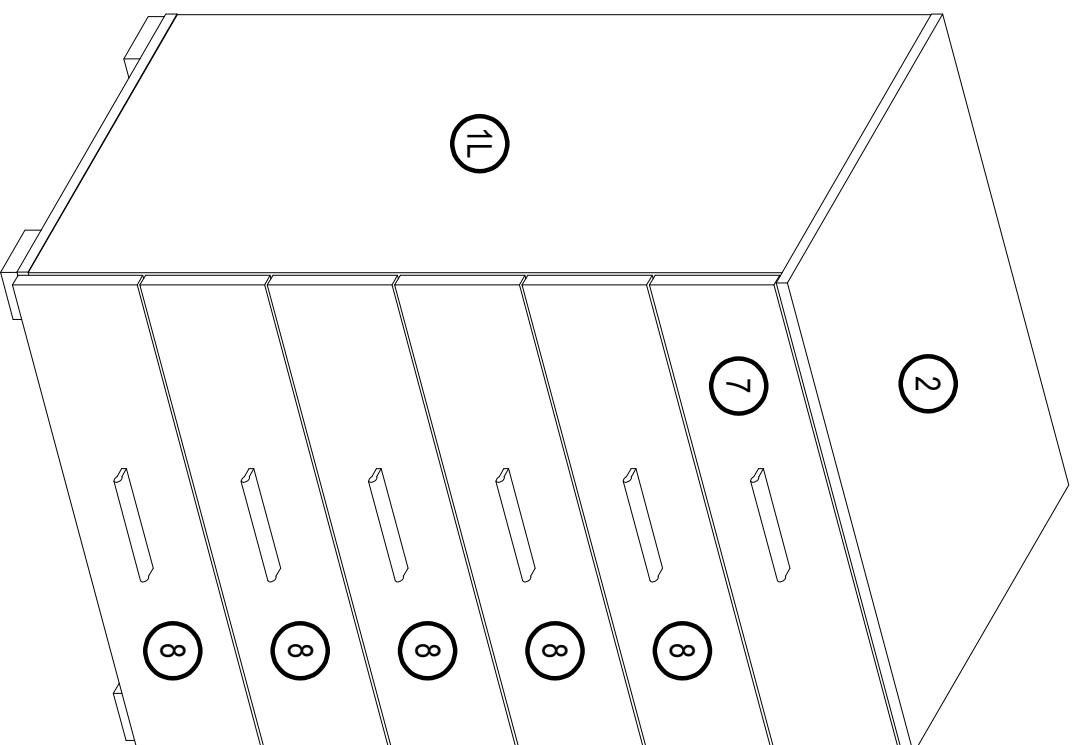
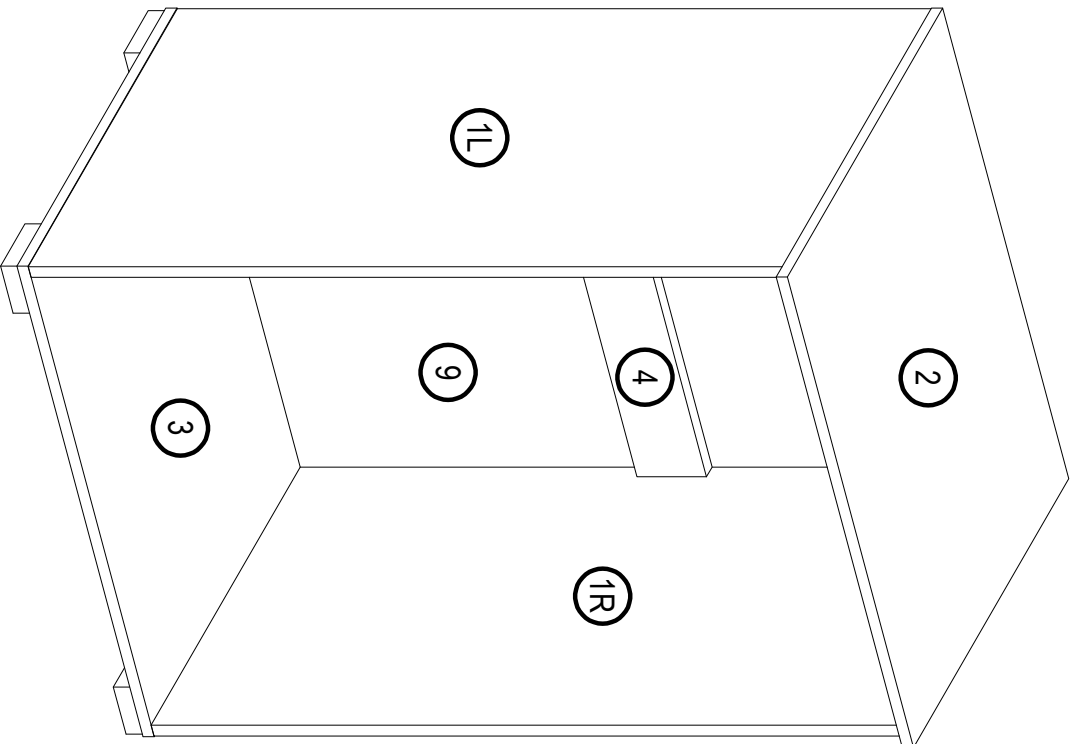


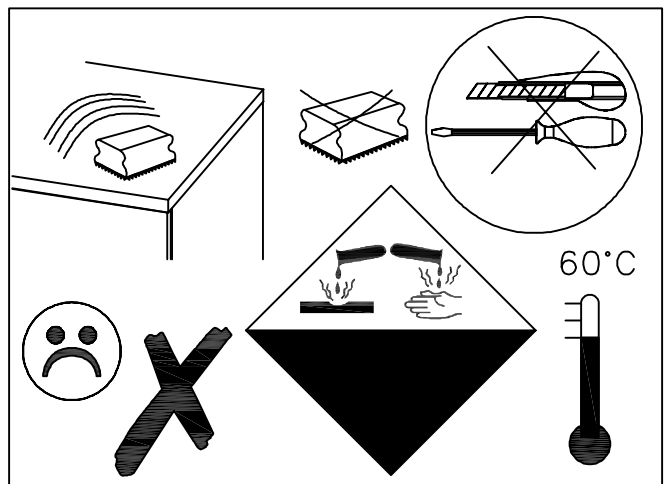
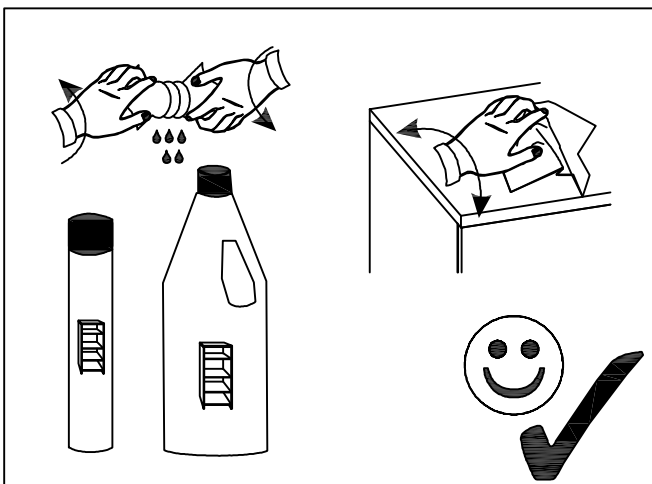
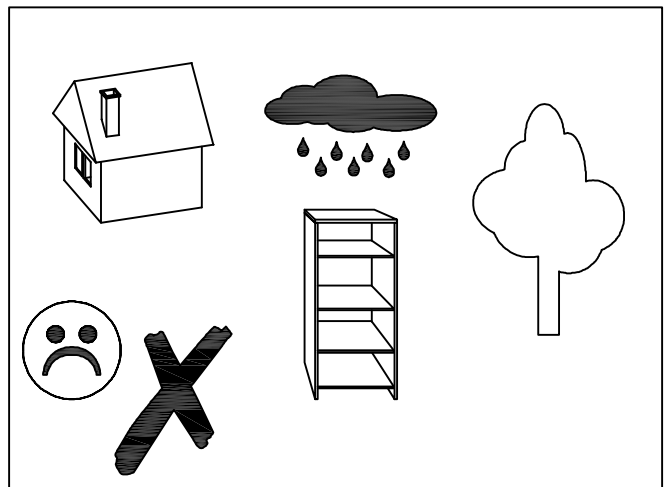
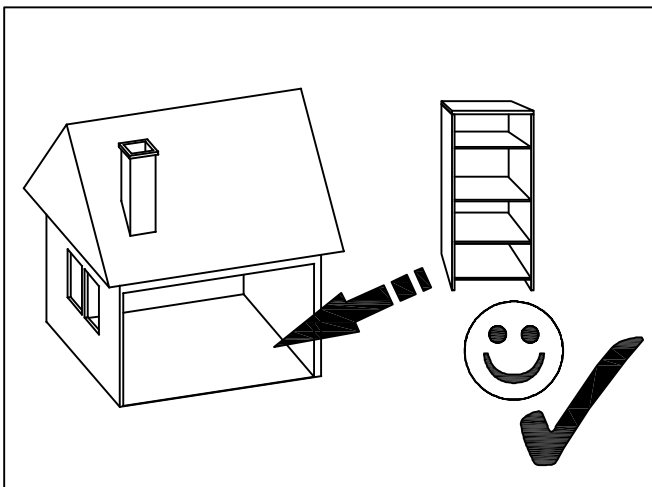
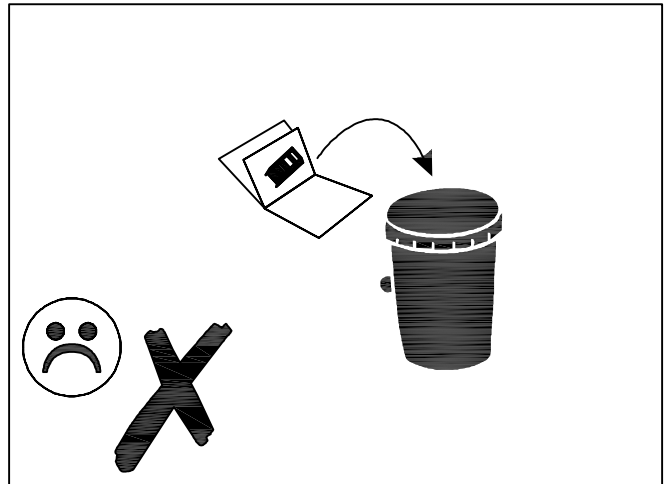
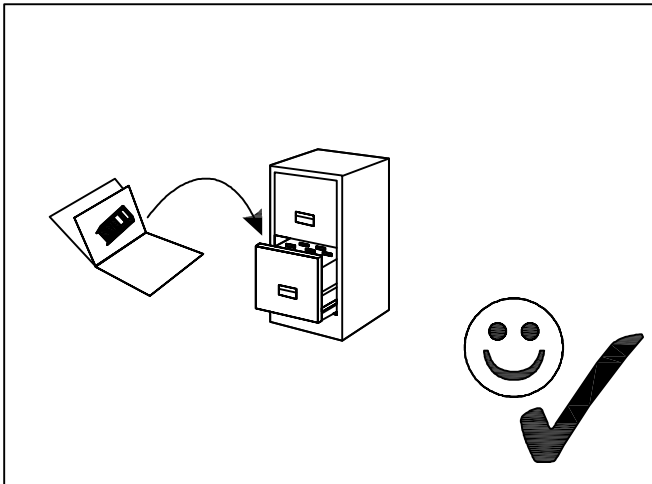
 (A1) 8*30mm x34	 (B) ϕ 12mm x16	 (B1) 6,3*50mm x16
 (C1) 6*43mm x18	 (D) ϕ 20mm x18	 (D1) 15/16 x18
 (E5) 3,5*16mm x48	 (E12) 4*20mm x8	 (E13) 4*25mm x12
 (H2) x12	 (I9) x6	 (K19) 20x40x60 x4
 (M2) 400mm x6	 (P10) L-1149 x1	 (R3) 1.4*25mm 30g
 (R4) N°4 x1		

No	a*b	x	No	a*b	x
1R	1150x428	1	6R	400x100	6
1L	1150x428	1	6L	400x100	6
2	700x446	1	7	694x190	1
3	700x428	1	8	694x190	5
4	666x100	1	9	617x393	6
5	608x100	6	10	1178x346	2



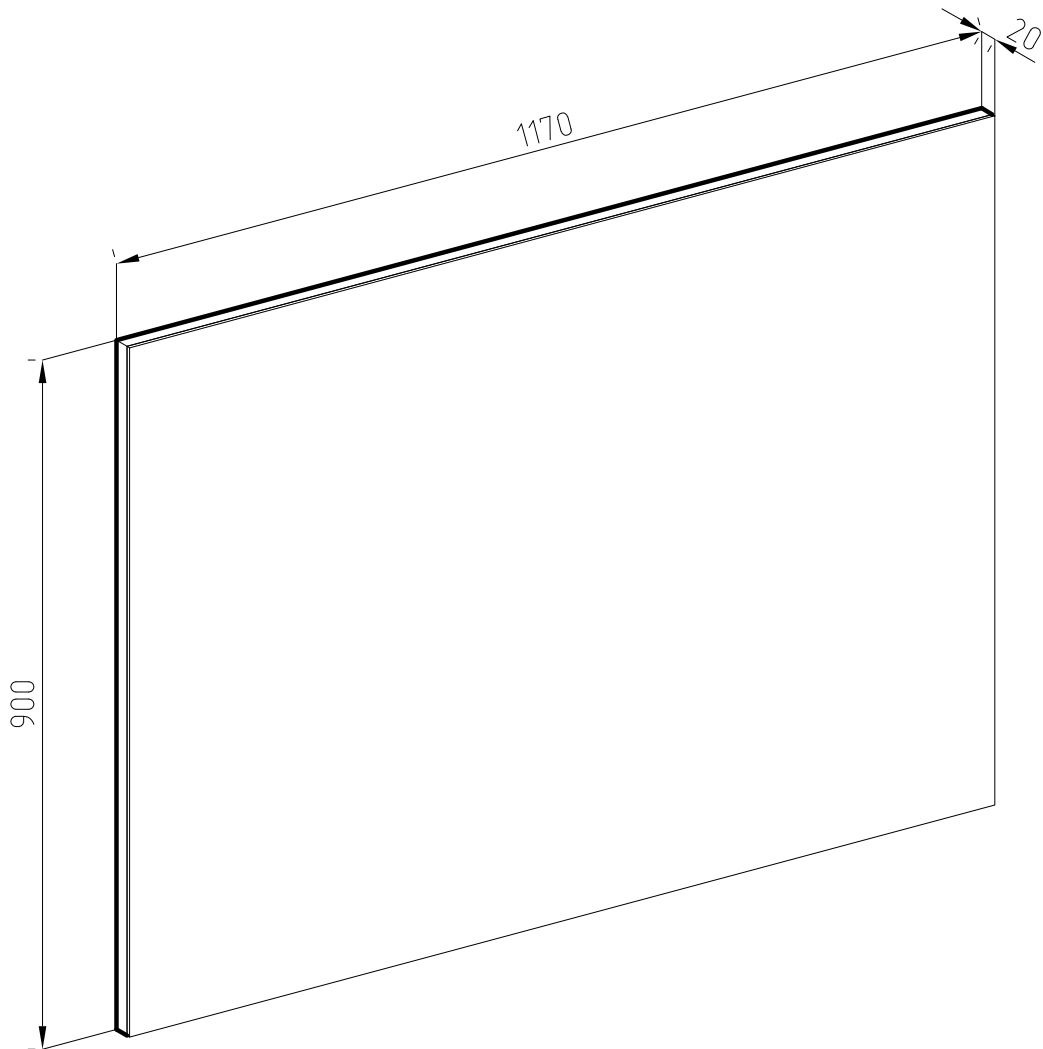




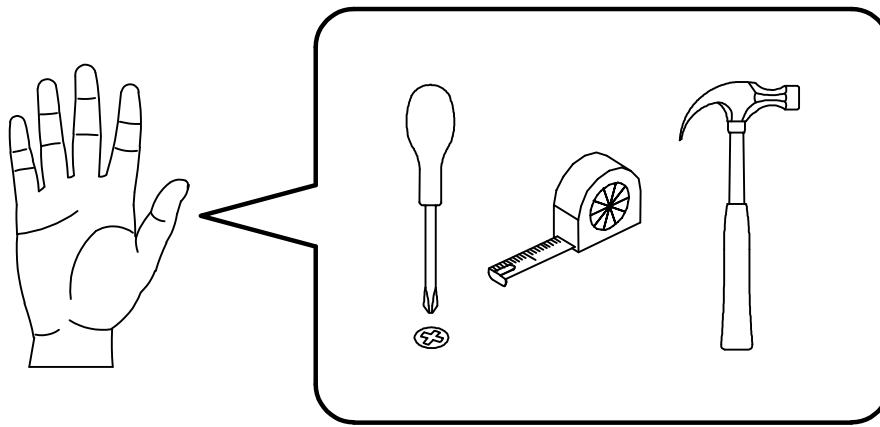


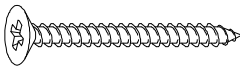
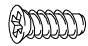

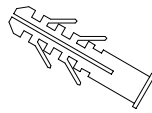

ROMBO

MIRROR

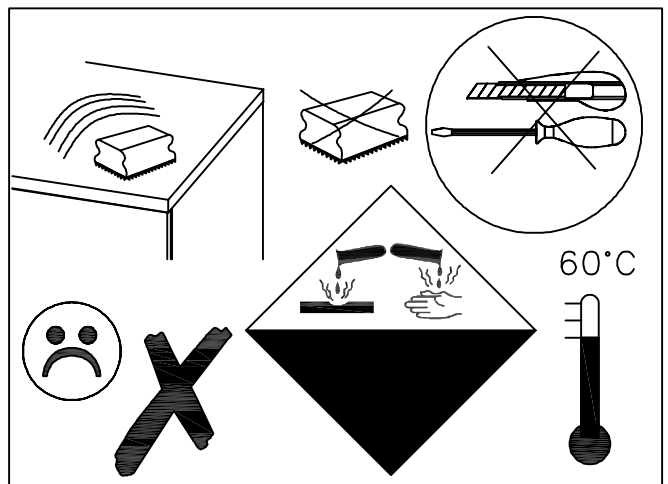
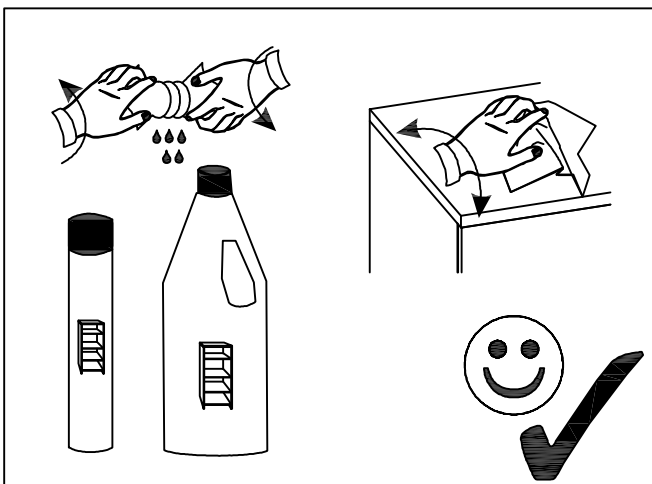
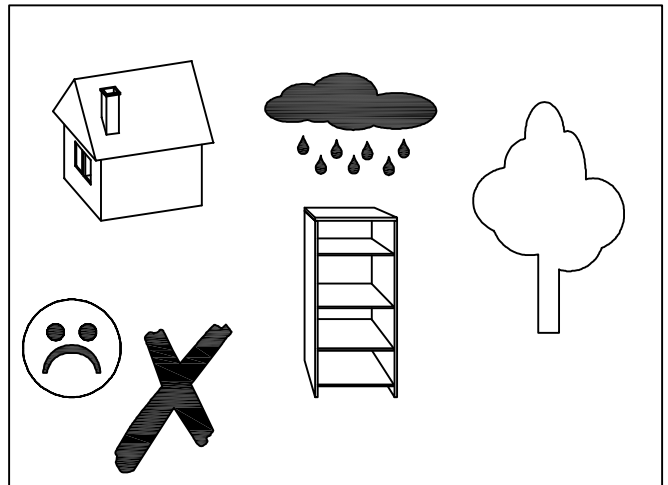
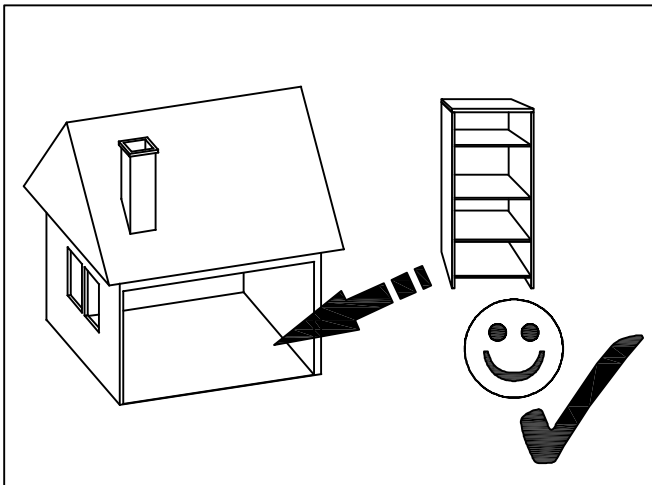
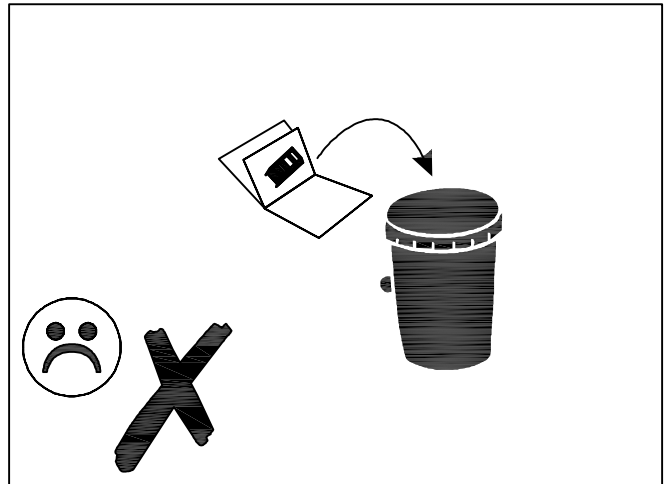
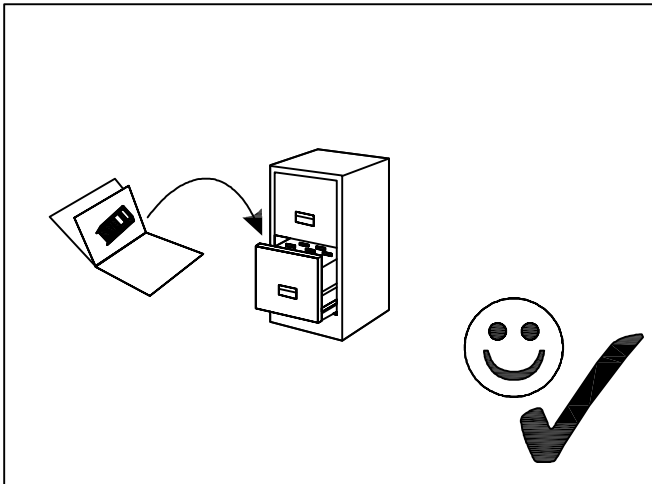


S.A.



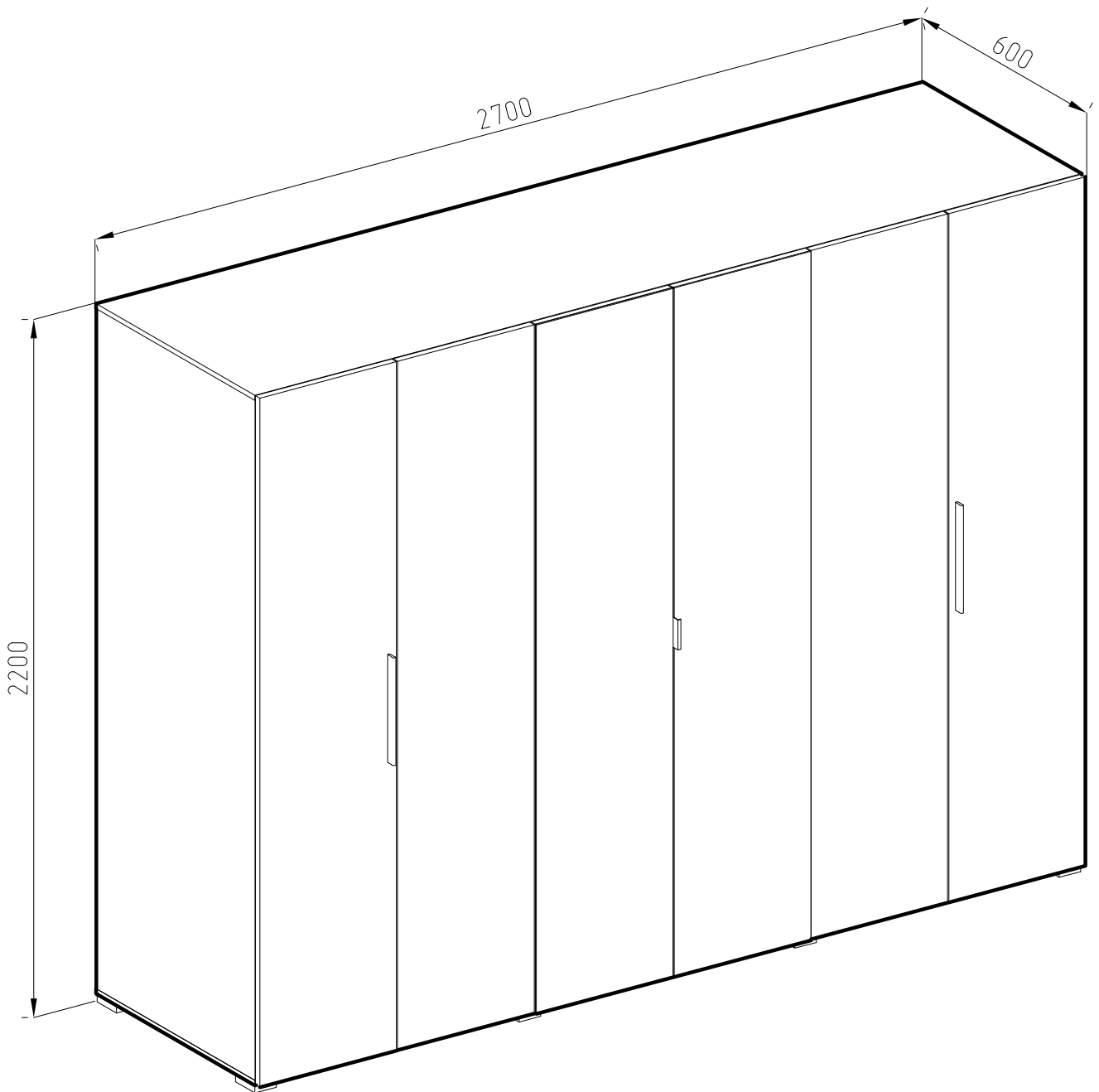
 (E23) 6*60mm x2	 (F1) 5,0*10,5mm x4
 (F3) 6,3*13mm x2	 (H6) 10*50mm x2
 (H14) x2	

No	a*b	x
1	1170x900	1

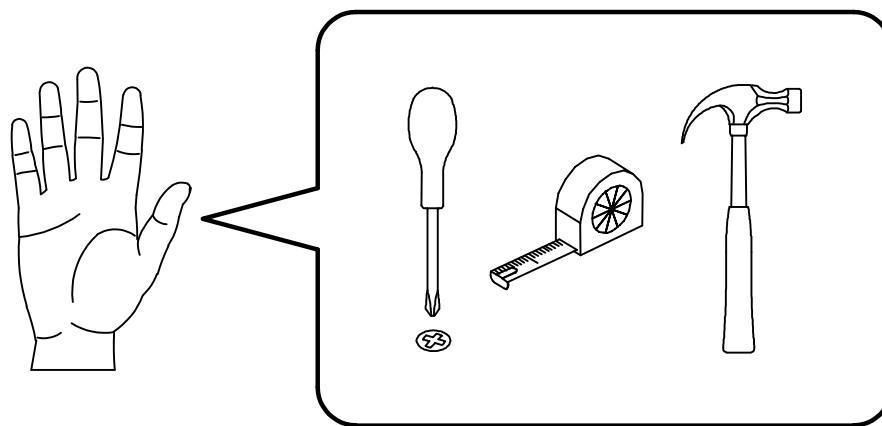


ROMBO




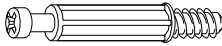





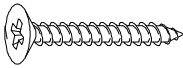
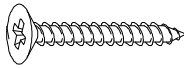
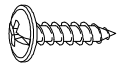
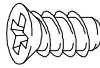
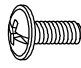

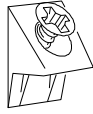
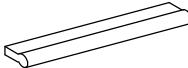
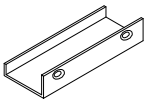
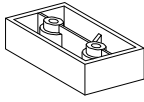

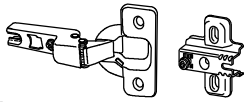
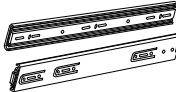
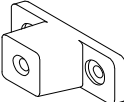


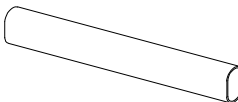
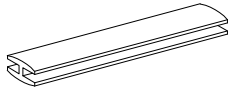

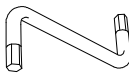

WARDROBE 6D

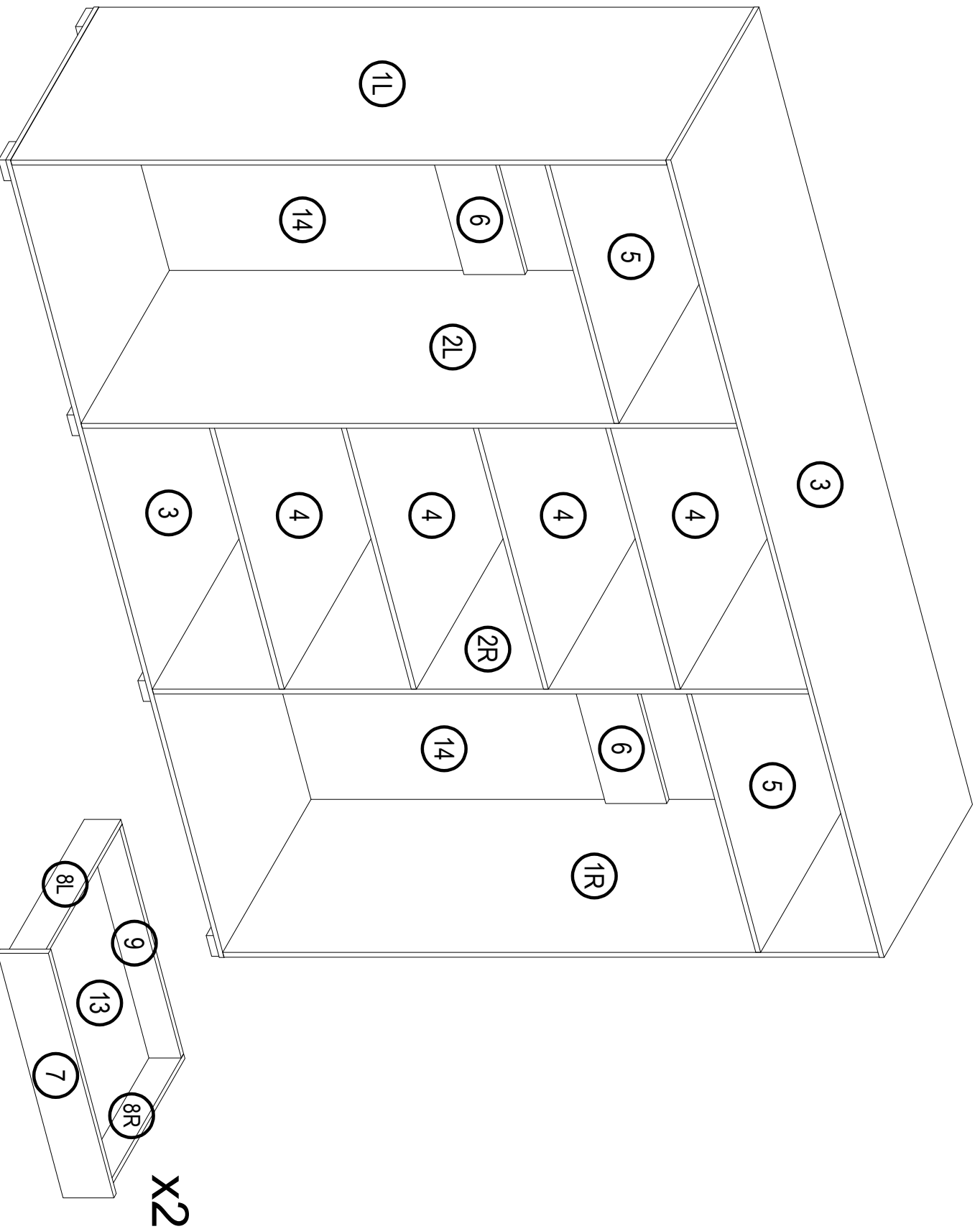


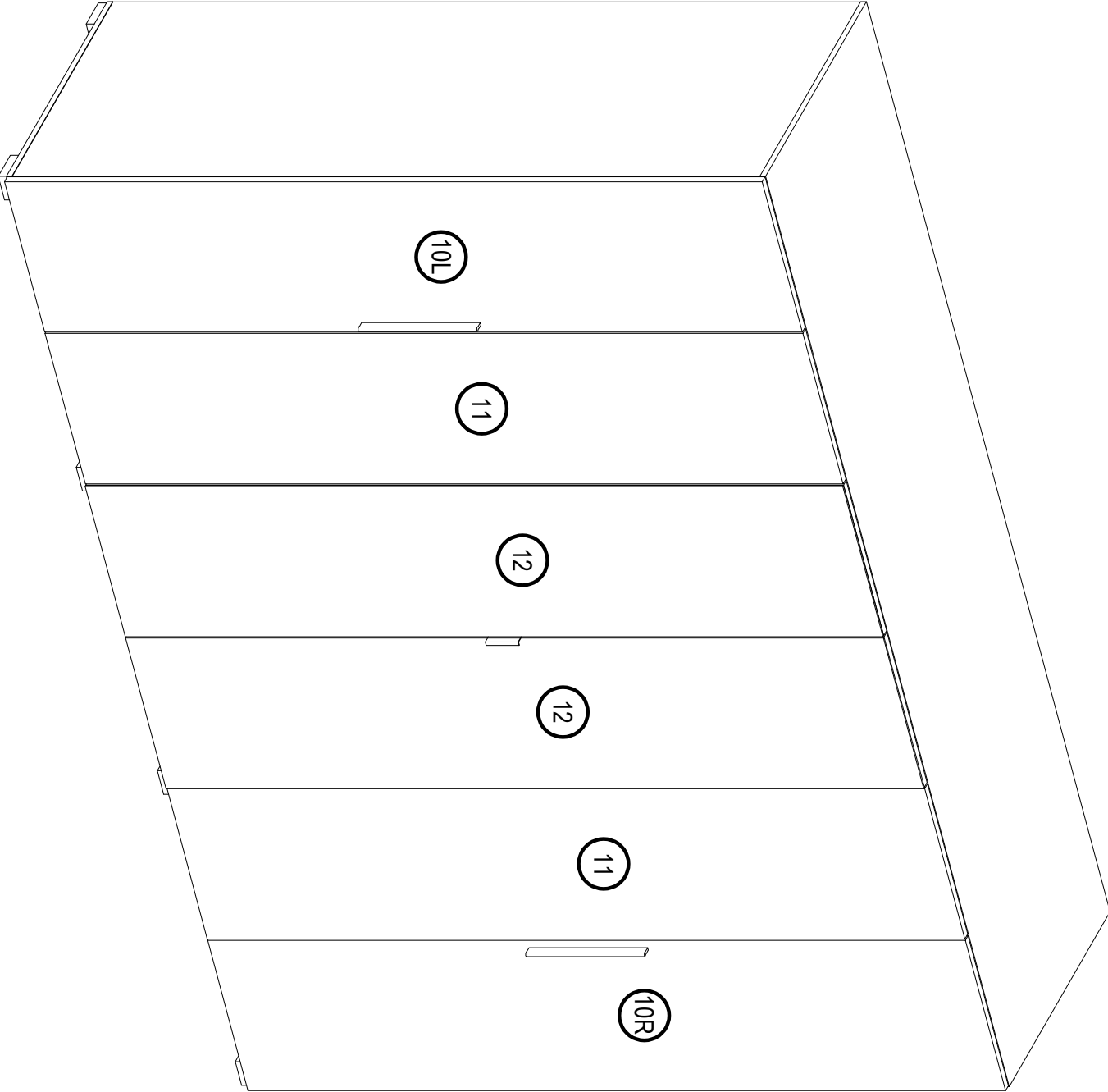
S.A.

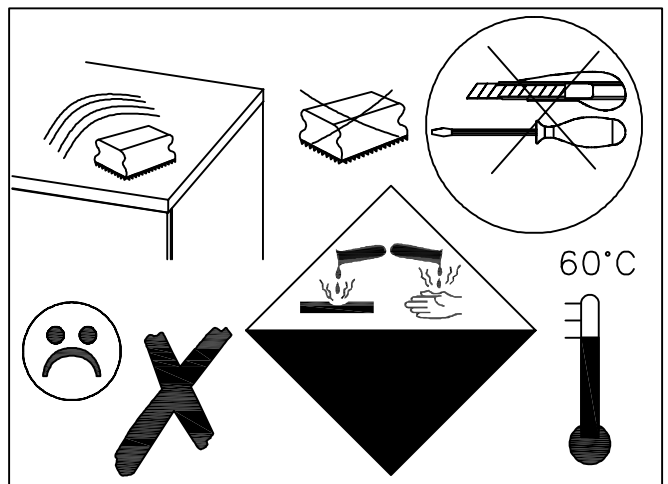
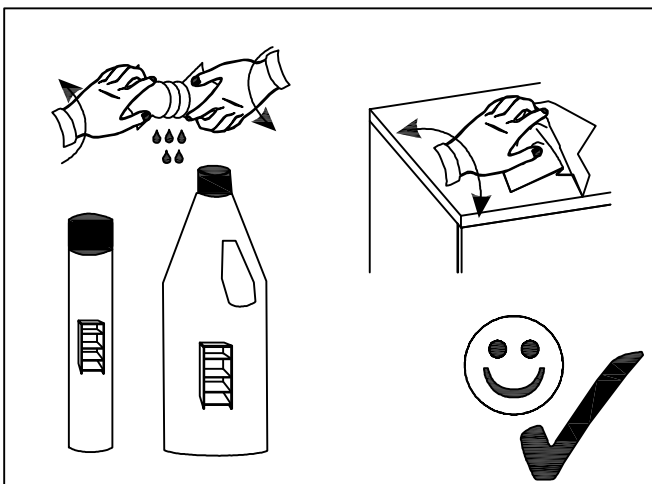
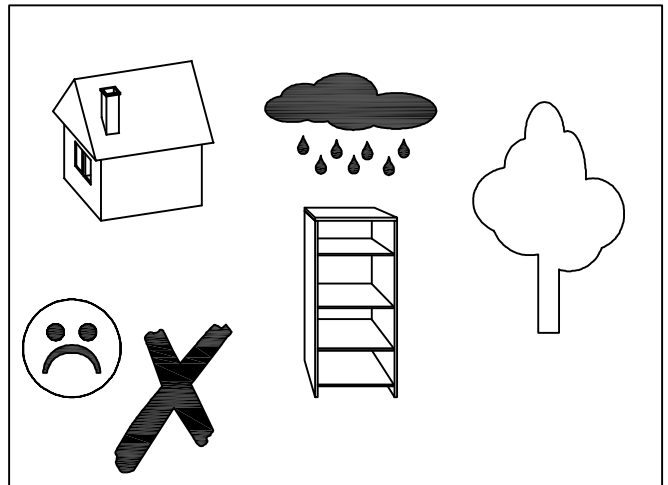
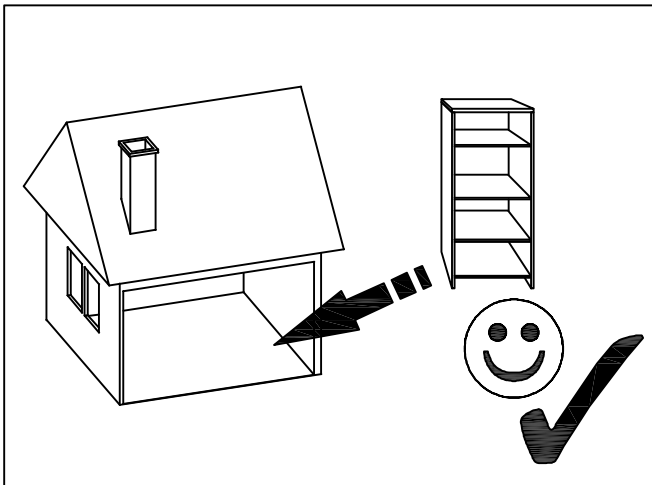
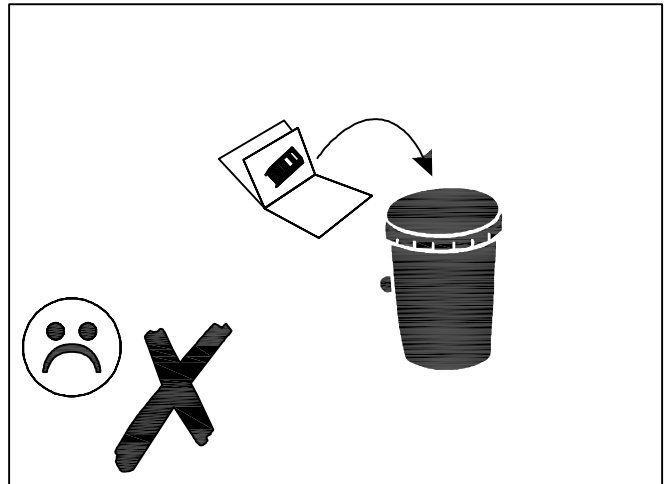
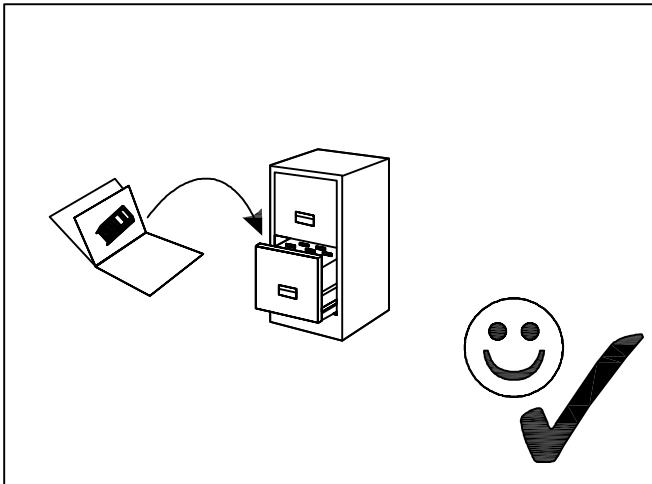
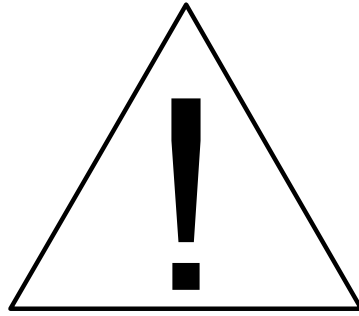


No	a*b	x	No	a*b	x
1R	2144x578	1	8R	500x120	2
1L	2144x578	1	8L	500x120	2
2R	2144x578	1	9	778x120	2
2L	2144x578	1	10R	2172x446	1
3	2700x578	2	10L	2172x446	1
4	884x578	4	11	2172x446	2
5	875x578	2	12	2172x446	2
6	875x200	2	13	787x493	2
7	814x166	2	14	2172x447	6

 A1 8*30mm x60	 B ϕ 12mm x20	 B1 6,3*50mm x20
 C1 6*43mm x36	 D ϕ 20mm x36	 D1 15/16 x36
 E3 3*15mm x8	 E4 3*20mm x16	 E5 3.5*16mm x68
 E12 4*20mm x16	 E13 4*25mm x6	 Ea2 4,2*16mm x8
 F3 6,3*13mm x44	 G2 M 4*10mm x40	 G15 x20
 H2 x8	 I9 L-320 x2	 I33 64/94 x1
 K19 20x40x60 x8	 L1 x10	 L2 x20
 M2 450mm x2	 M3 x8	 O1 x16
 P4 x4	 P5 L-869 x2	 P10 L-2142 x3
 R3 1.4*25mm 80g	 R4 N°4 x1	 U3 x12

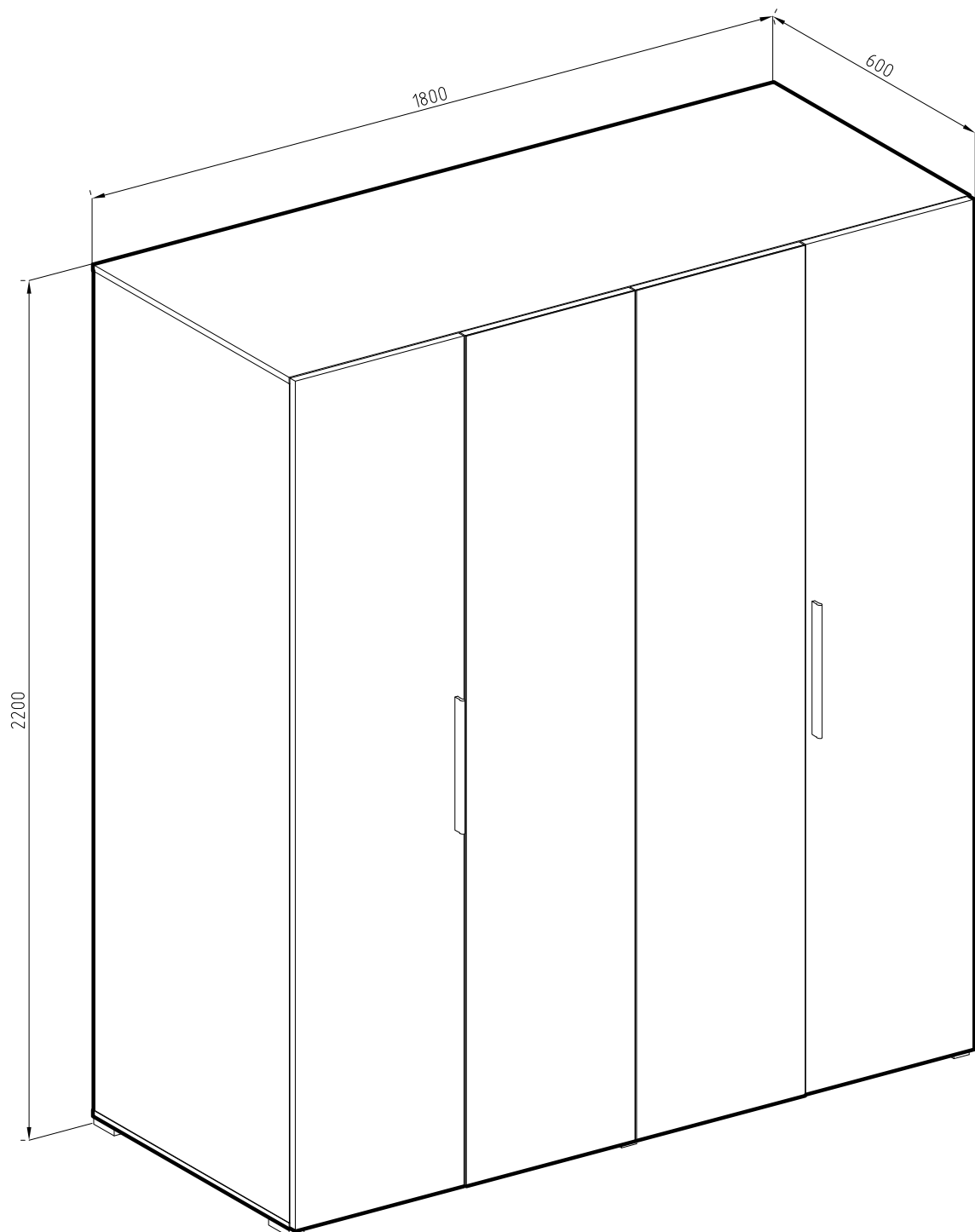




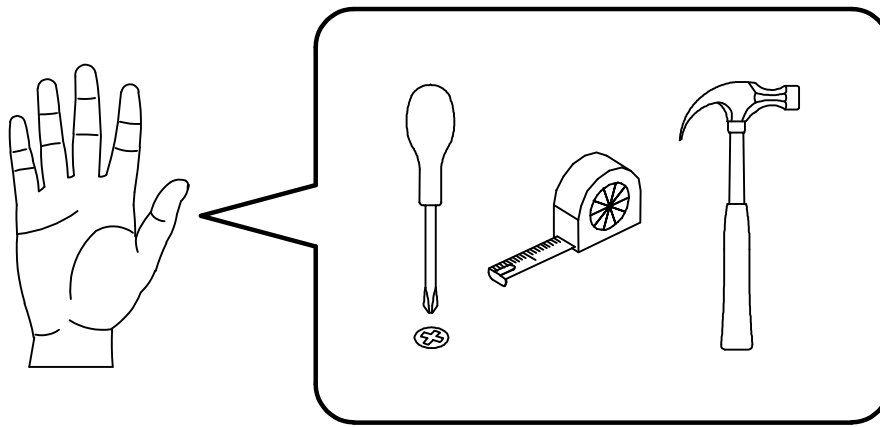


ROMBO




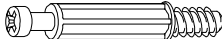
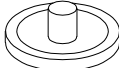



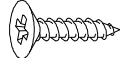
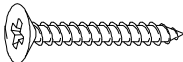
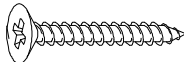
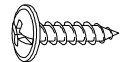

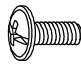
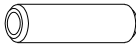
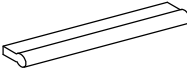
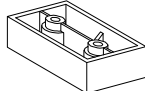
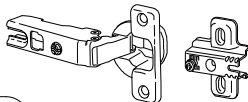
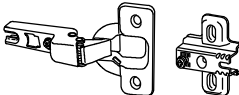


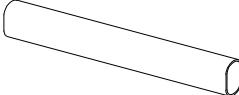
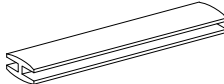



WARDROBE 4D



S.A.



No	a*b	x
1	2144x578	1
2	2144x578	1
3	2144x578	1
4	1800x578	2
5	875x578	5
6	875x200	1
7	2172x446	2
8	2172x446	2
9	2172x447	4

 (A1) 8*30mm x60	 (B) ϕ 12mm x10	 (B1) 6,3*50mm x10
 (C1) 6*43mm x36	 (D) ϕ 20mm x36	 (D1) 15/16 x36
 (E3) 3*15mm x4	 (E4) 3*20mm x8	 (E5) 3.5*16mm x40
 (E12) 4*20mm x12	 (E13) 4*25mm x6	 (Ea2) 4,2*16mm x3
 (F3) 6,3*13mm x20	 (G2) M 4*10mm x20	 (G15) x10
 (I9) L-320 x2	 (K19) 20x40x60 x6	 (L1) x10
 (L2) x10	 (O1) x8	 (P4) x2
 (P5) L-869 x1	 (P10) L-2142 x2	 (R3) 1.4*25mm 80g
 (R4) N°4 x1	 (U3) x8	

