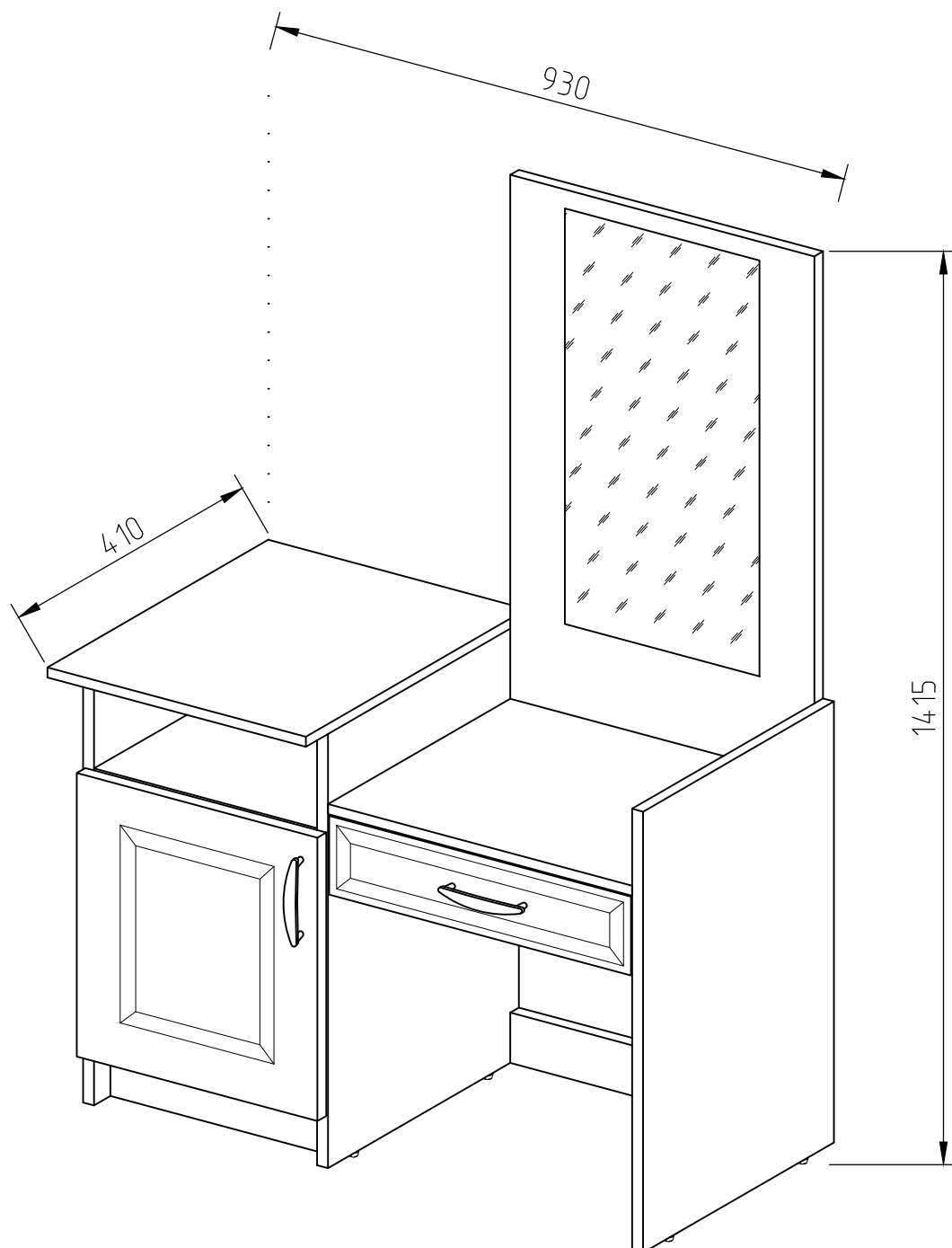
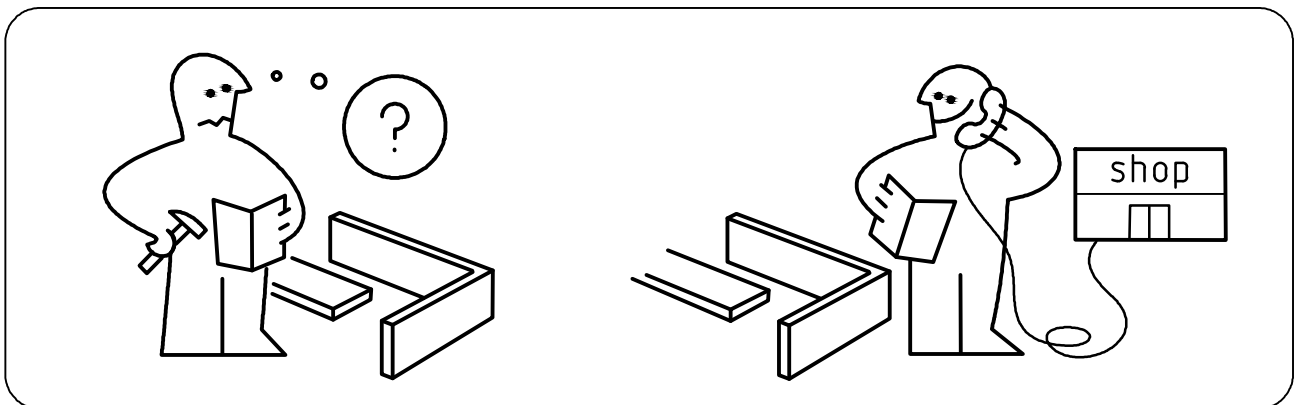
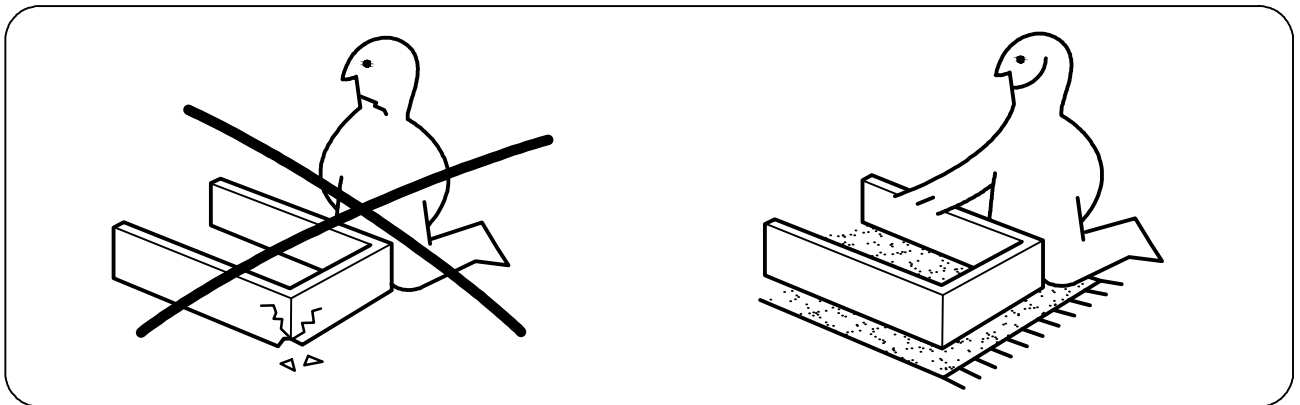
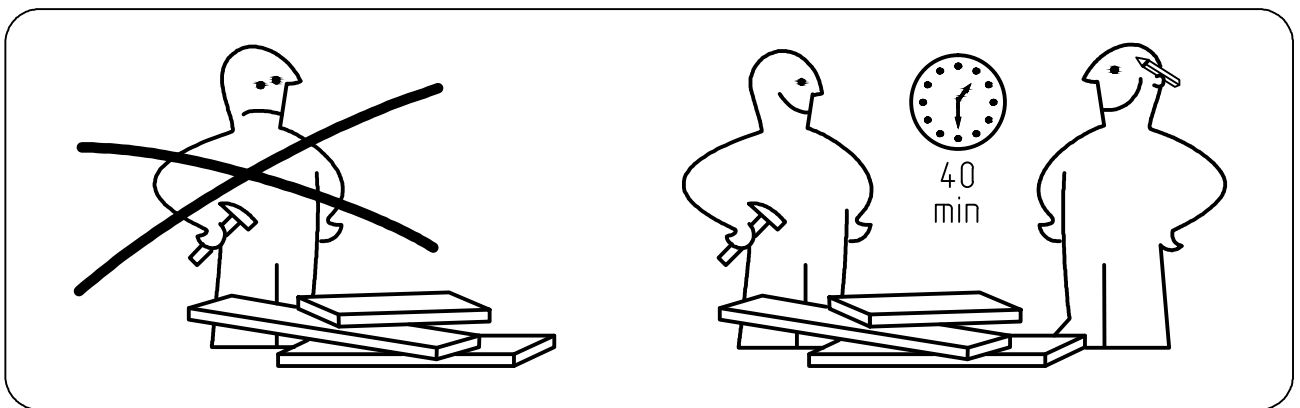
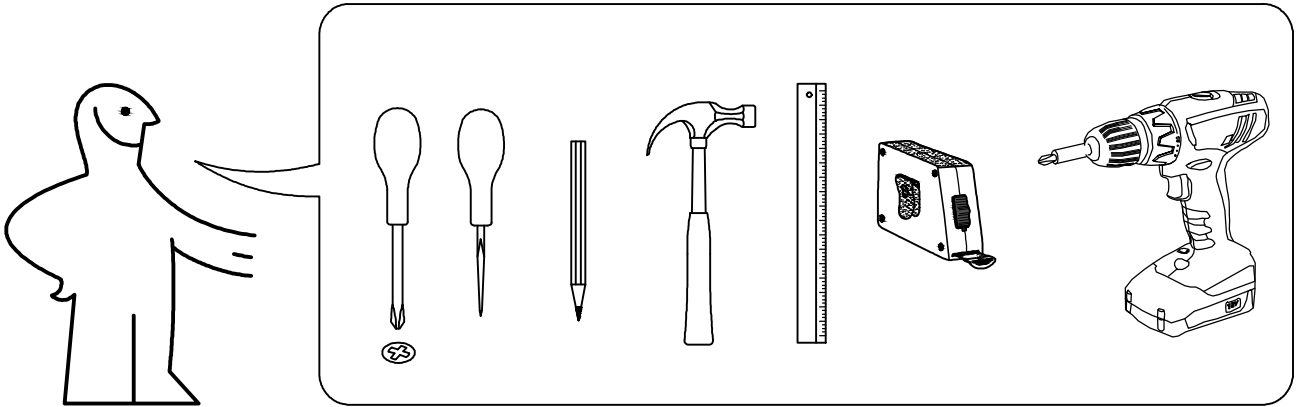






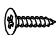
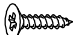
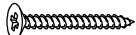



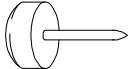
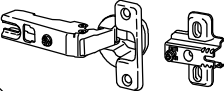


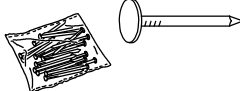
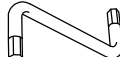
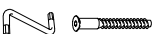


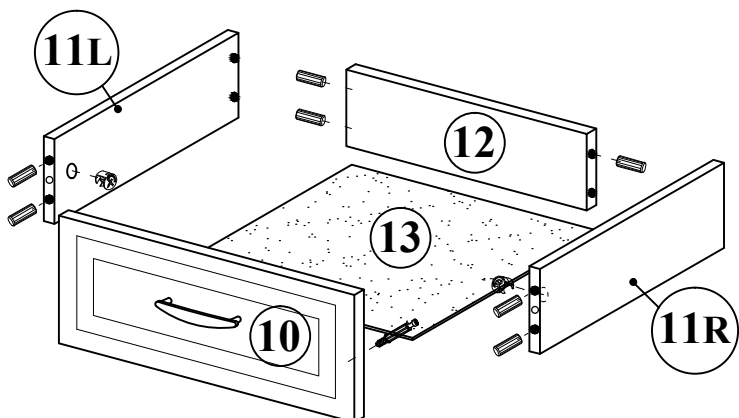
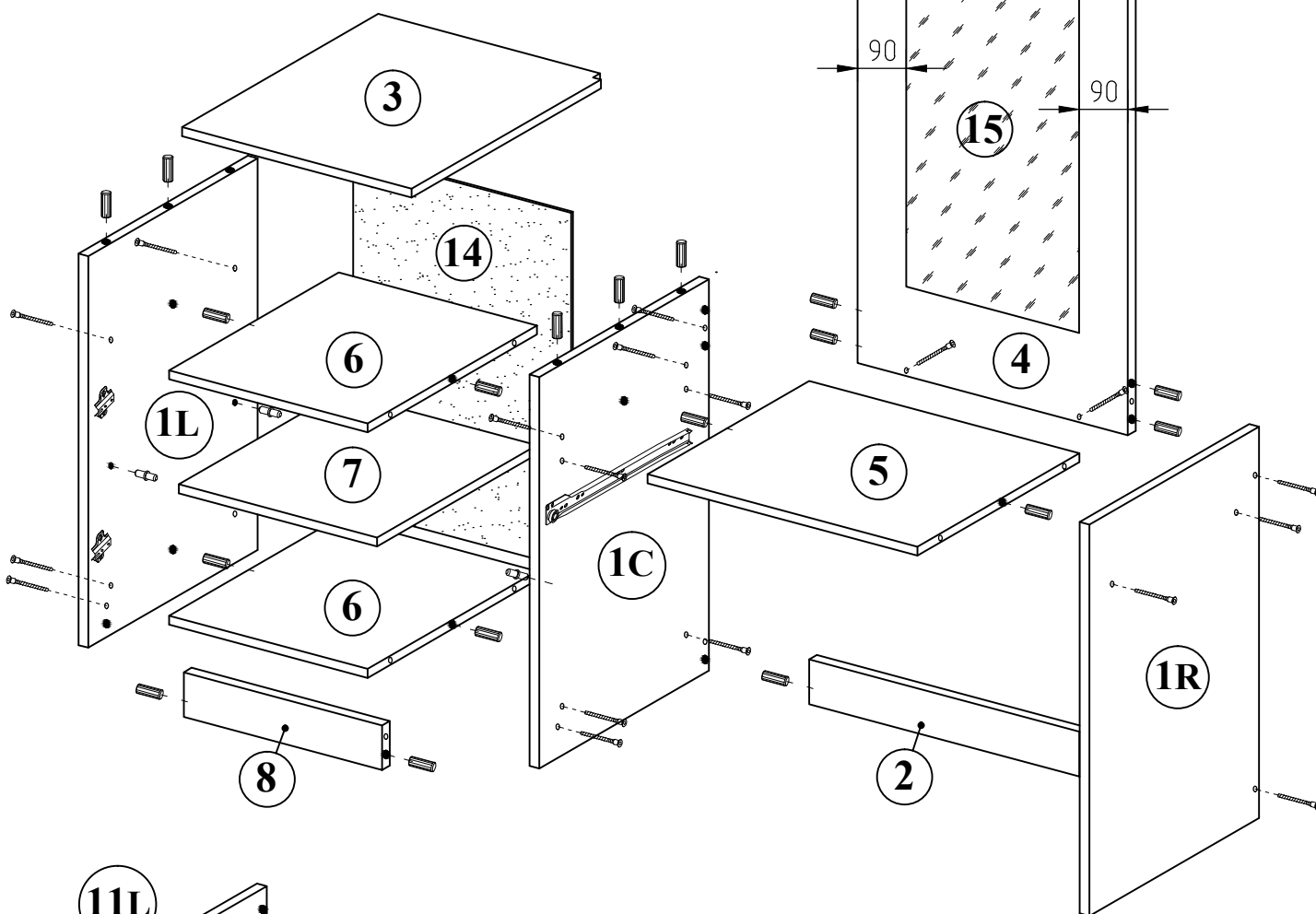
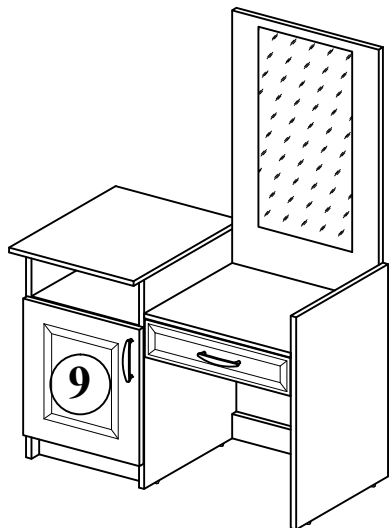
KIM





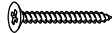



 (A1) 8*30mm x32	 (B) x18	 (B1) 6,3*50mm x20
 (C1) 5*30mm x2	 (D) x2	 (D1) 16mm x2
 (E2) 3*13mm x8	 (E9) 4*16mm x4	 (E16) 4,5*30mm x4
 (F5) 6,3*13mm x4	 (I12) x2	 (J1) x4
 (K1) x6	 (L1) x2	 (M1) L- 300mm x1
 (R1) x1	 (R2) 1.4*25mm 0.01kg	 (R3) x1

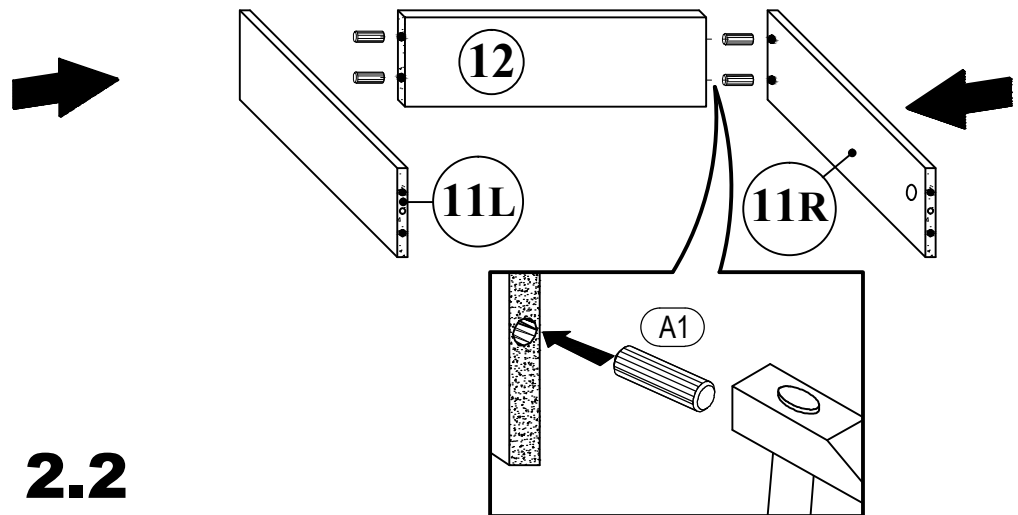
	a*b	x	N ^o →...		a*b	x	N ^o →...
1R	700x350	x1	1	9	450x396	x1	1
1L	700x350	x1	1	10	125x496	x1	1
1C	700x350	x1	1	11R	300x90	x1	1
2	500x80	x1	1	11L	300x90	x1	1
3	425x405	x1	1	12	442x90	x1	1
4	850x500	x1	1	13	300x470	x1	1
5	500x334	x1	1	14	634x395	x1	1
6	367x350	x2	1	15	660x320	x1	
7	367x330	x1	1				
8	367x80	x1	1			x1	1



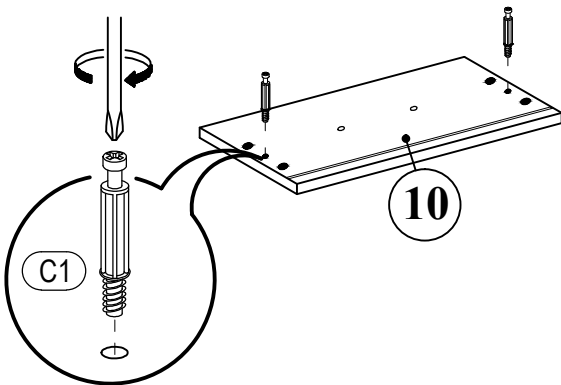
2

 A1 8*30mm x4	 C1 5*30mm x2	 E16 4,5*30mm x2
 I12 x1		

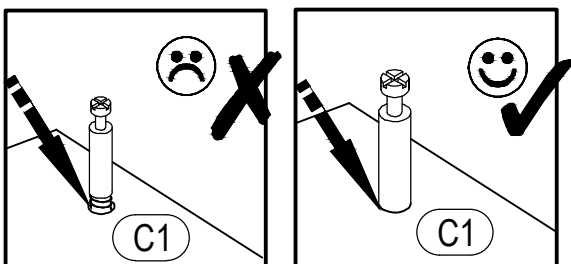
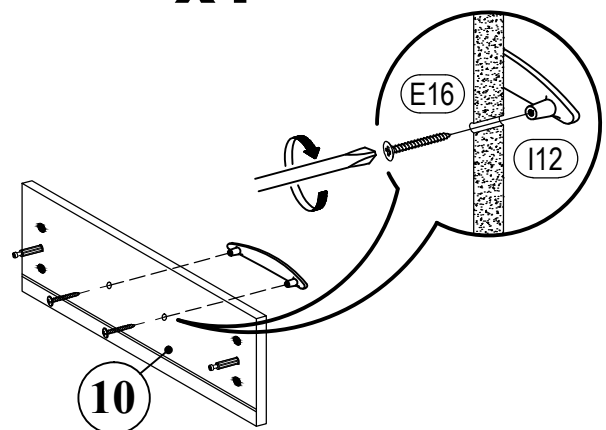
2.1
x1





2.2
x1



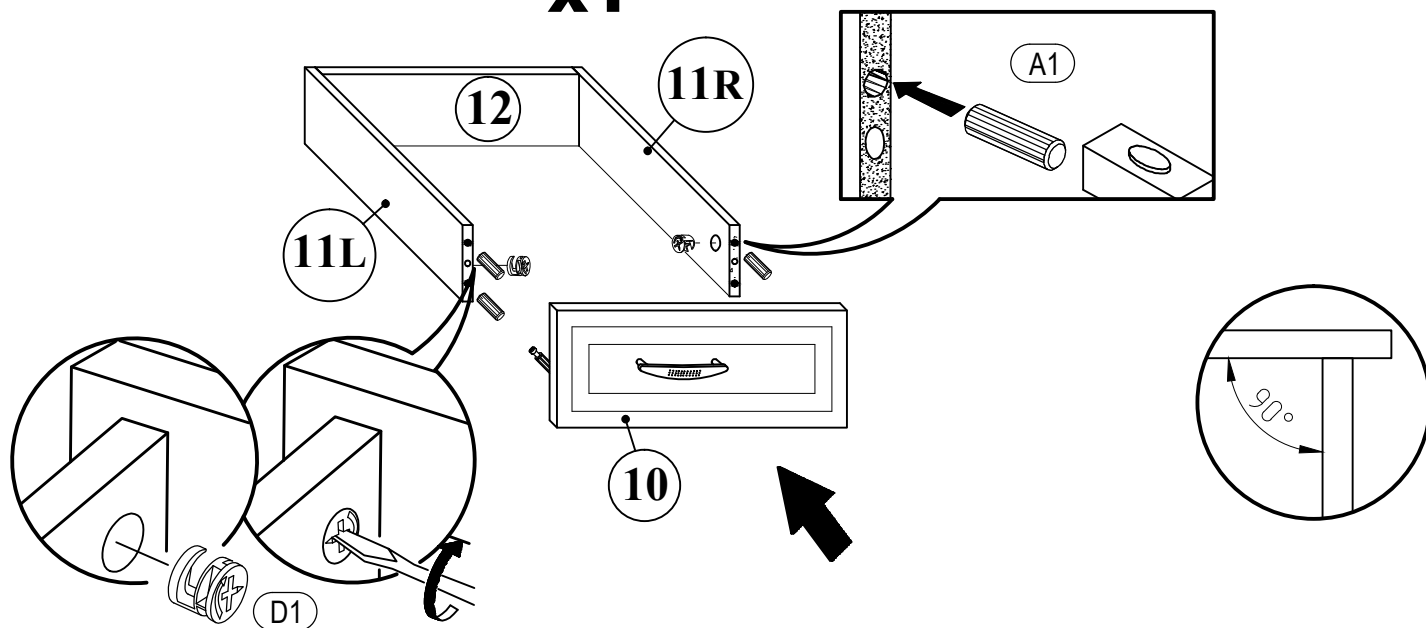
2.3
x1



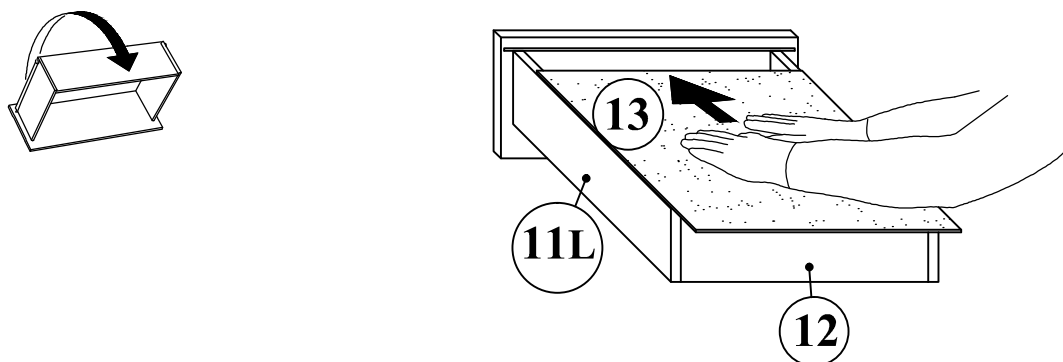
 A1 8*30mm x4	 D1 16mm x2
---	---

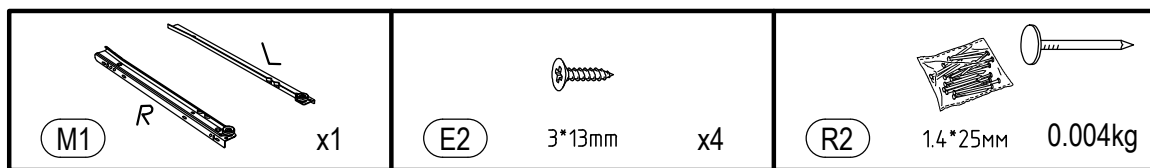
2

2.4 x1

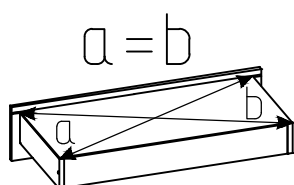


2.5 x1

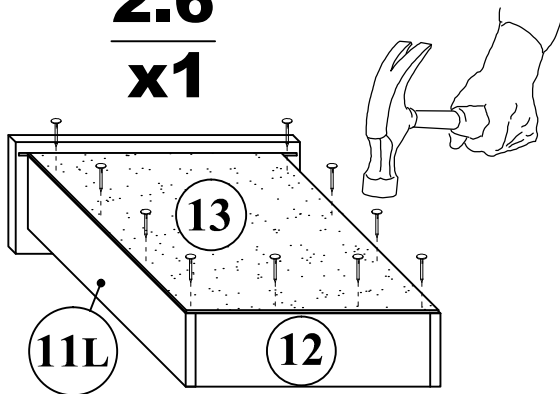




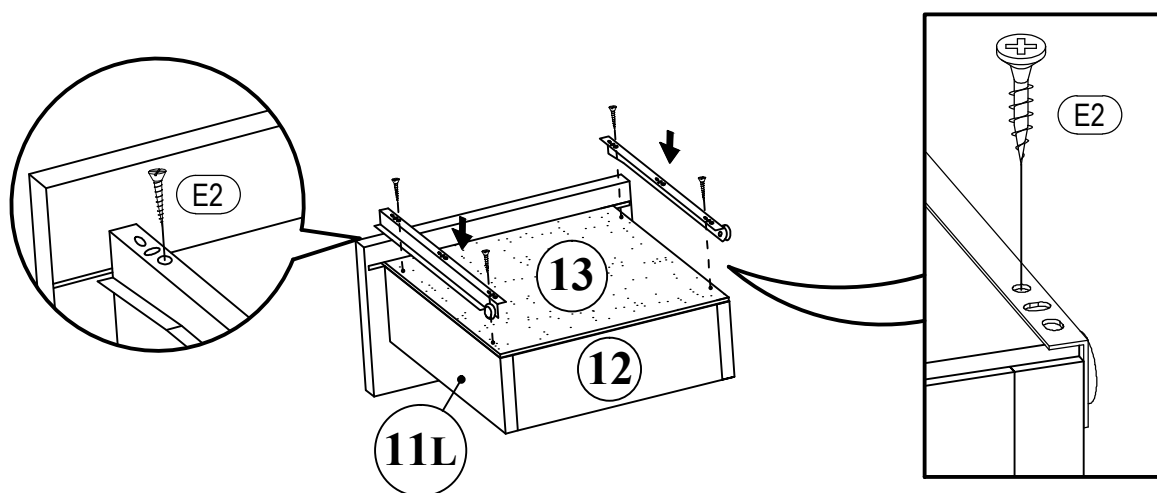
2

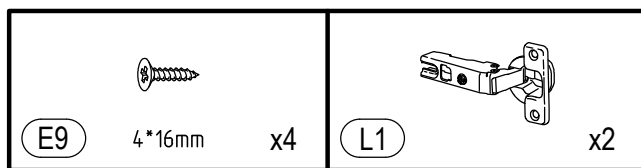


2.6 x1

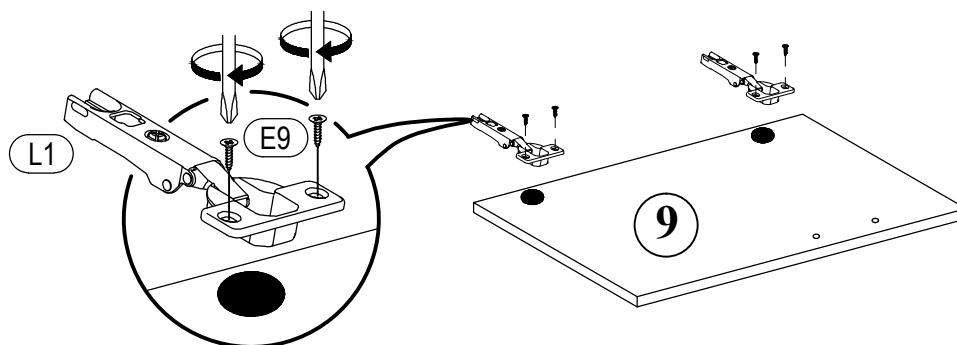


2.7 x1

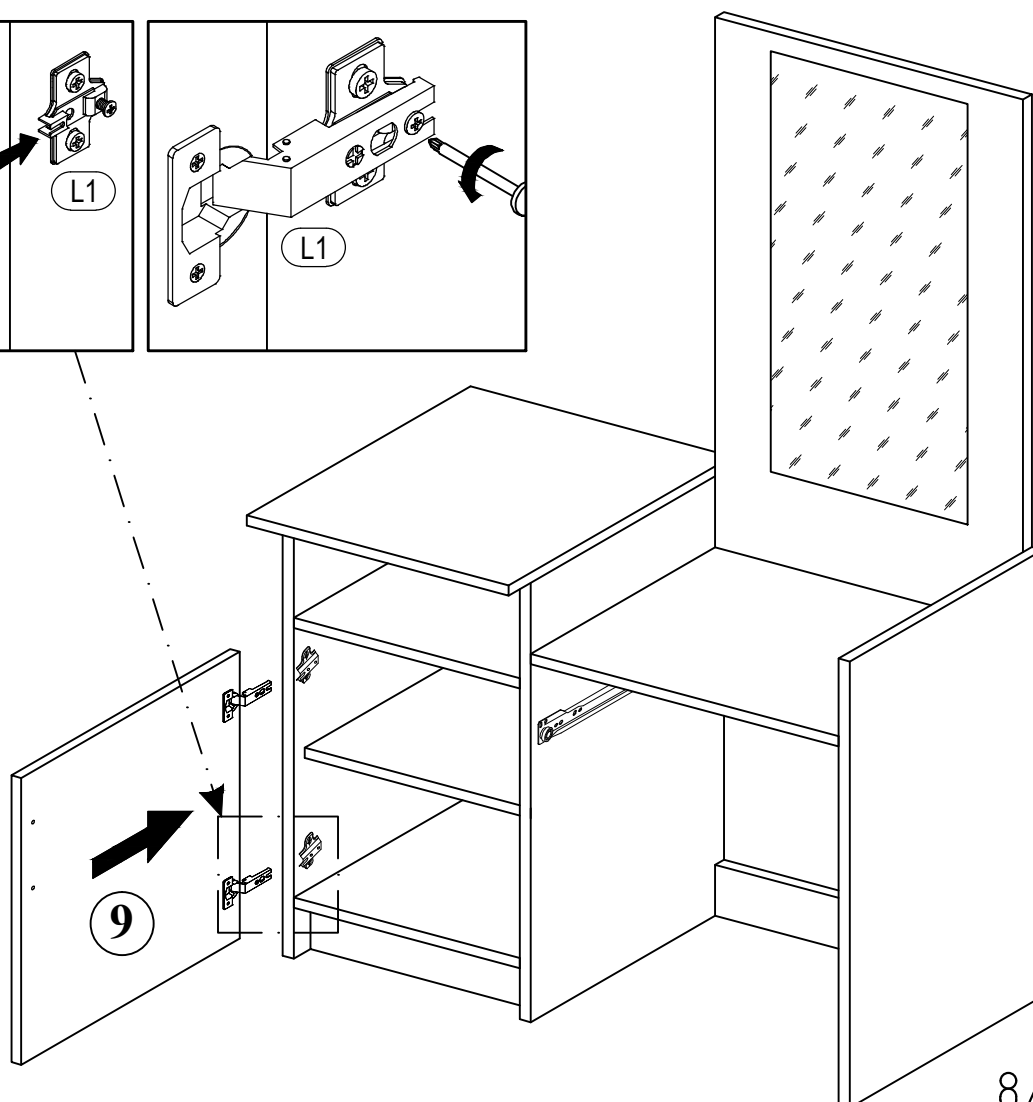
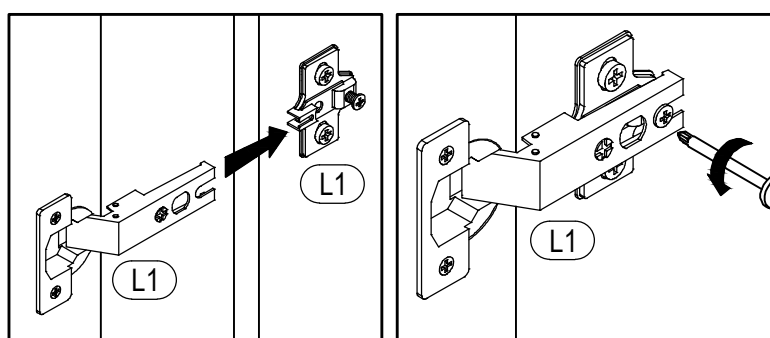


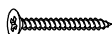



3

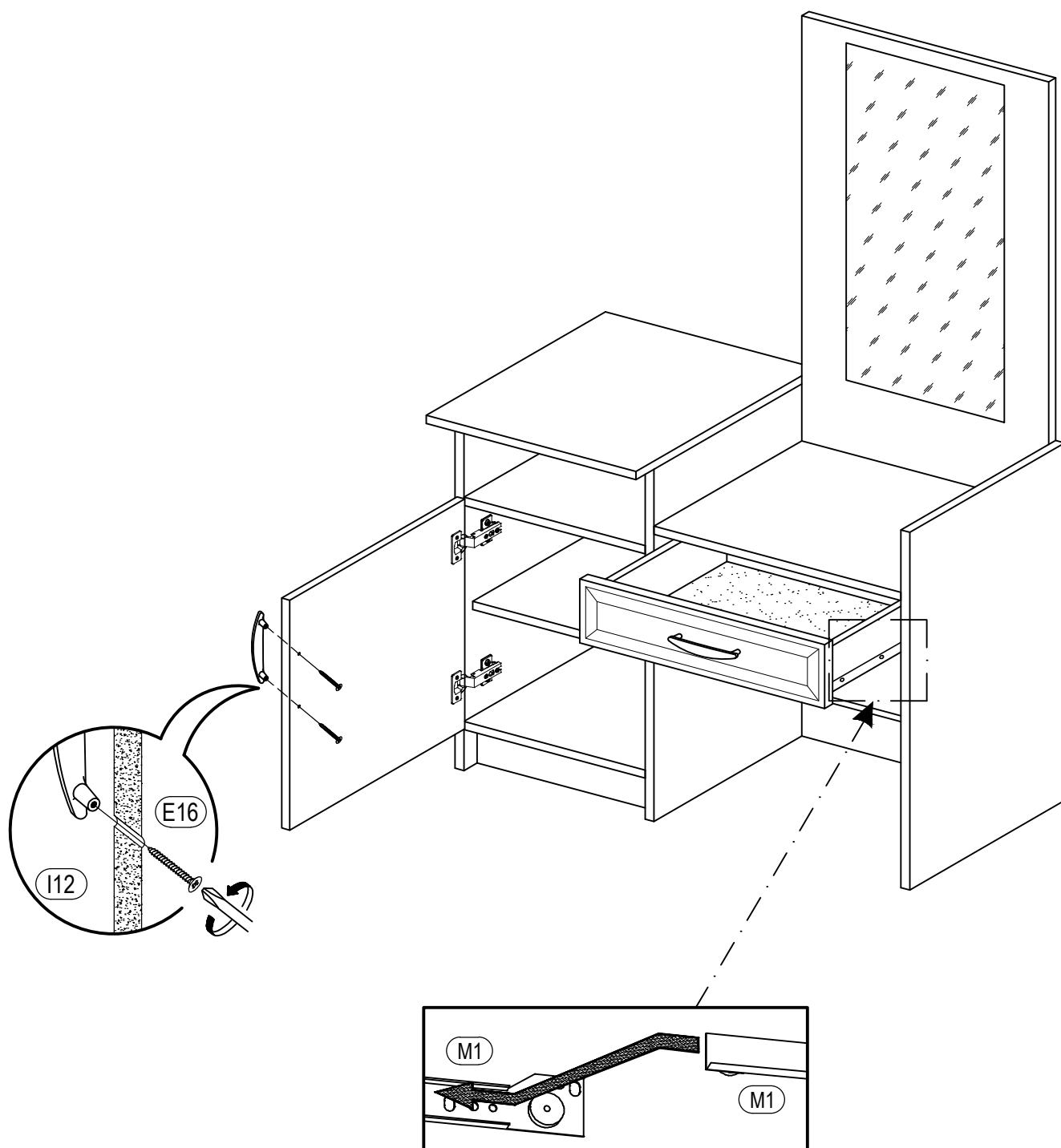


4

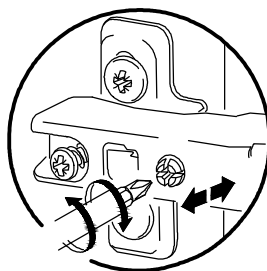
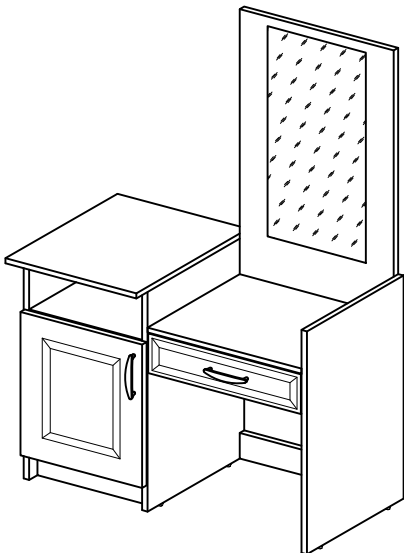
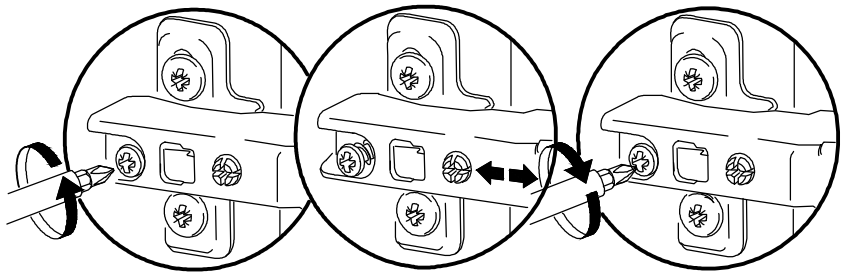
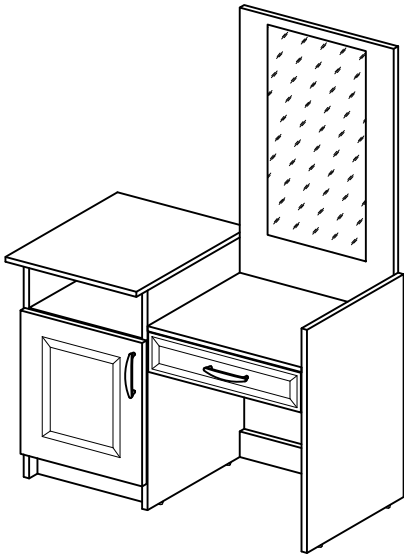
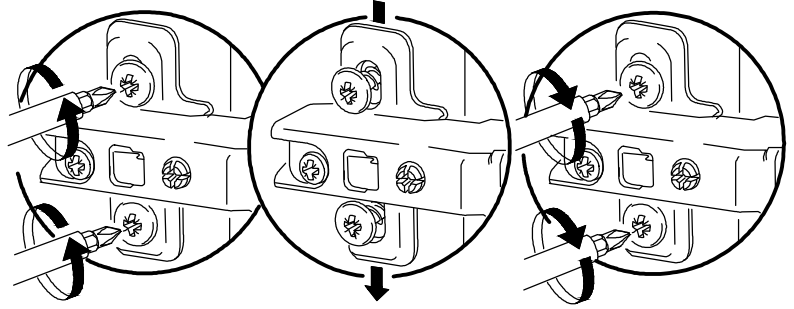
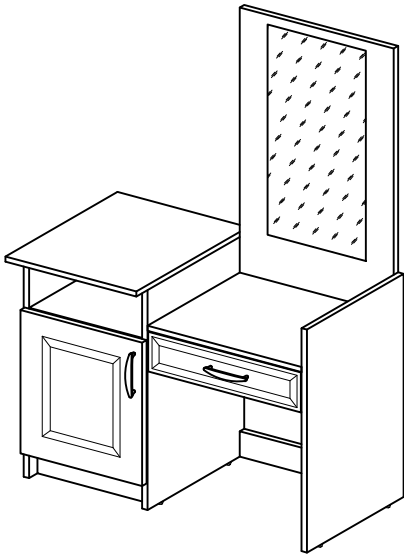


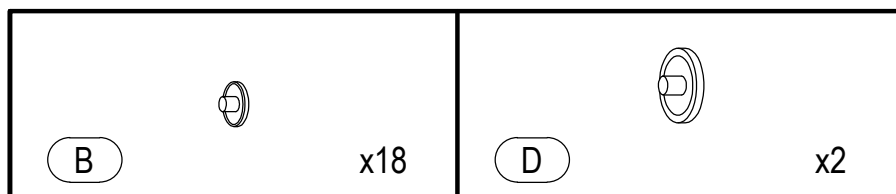
 E16 4,5*30mm x2	 I12 x1
--	---

5



6





7

