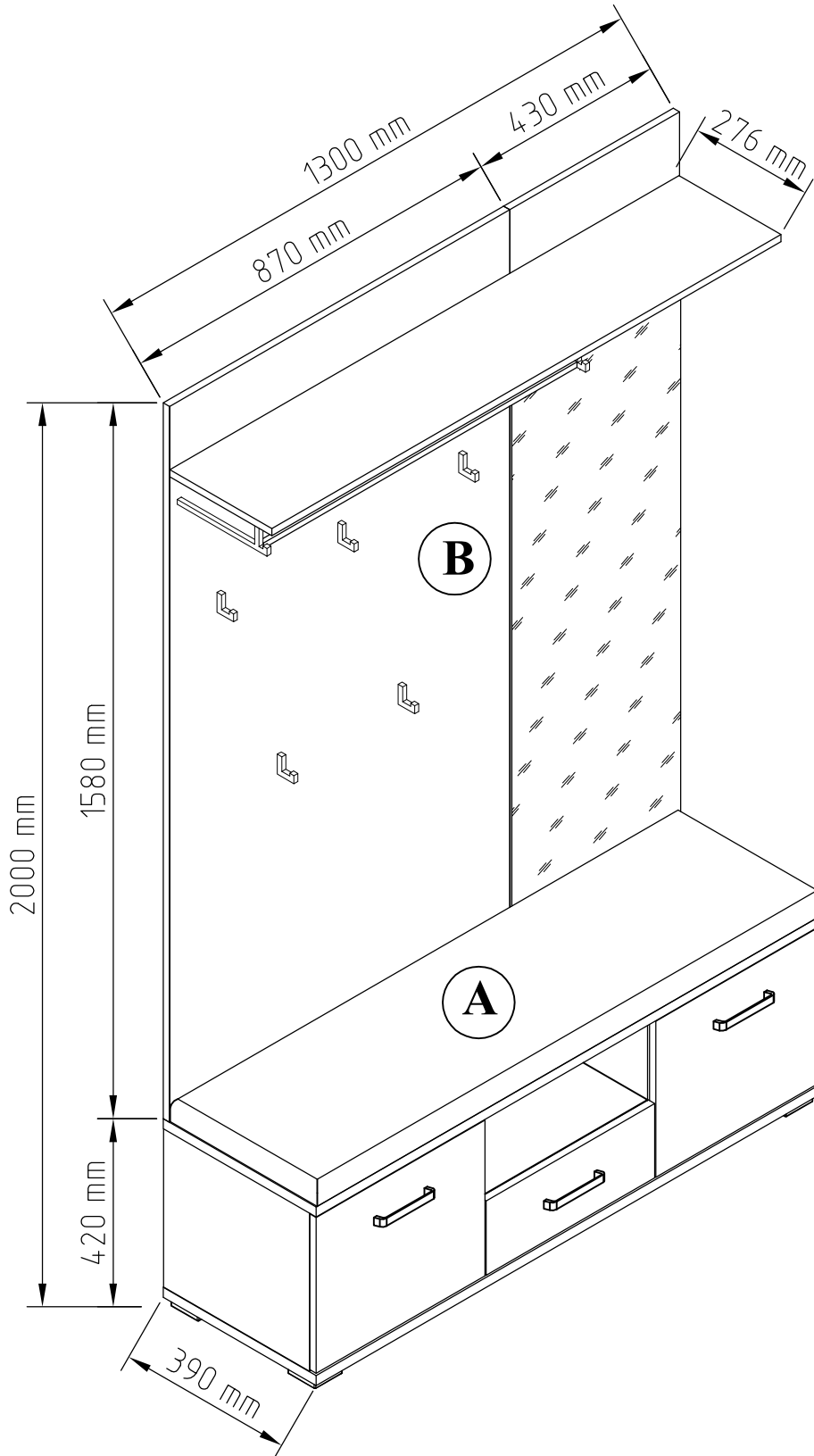
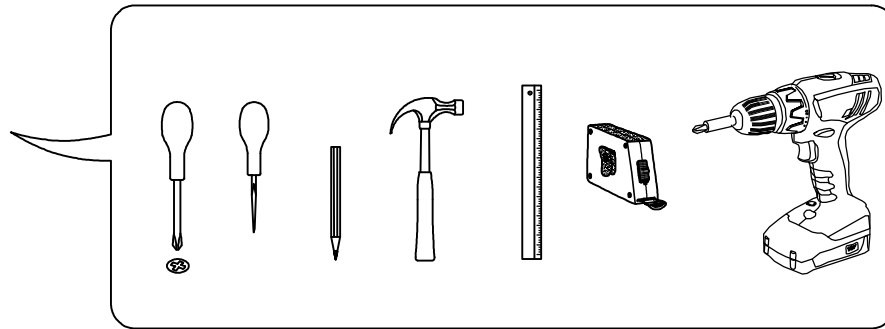
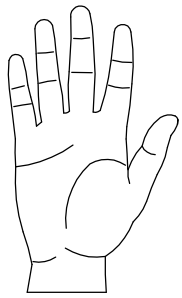
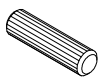
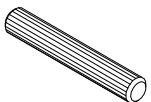

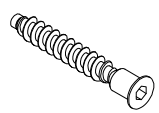

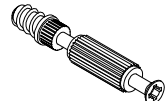
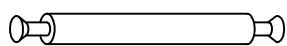


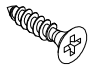
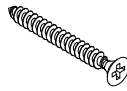

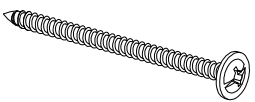


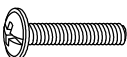
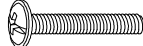

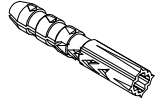



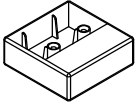
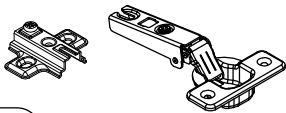


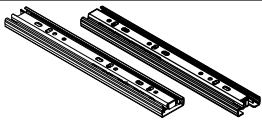
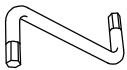

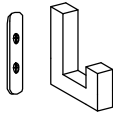
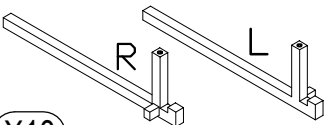
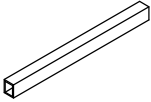
BRUNA

antechamber





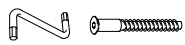
 (A1) 8*30mm x31	 (A2) 8*50mm x4	 (B) ϕ 12mm x14
 (B1) 6,3*50mm x6	 (B2) 6,8*70mm x8	 (C1) 6*43mm x14
 (C2) 8*56mm x3	 (D) ϕ 20mm x20	 (D1) 15/16 x20
 (E6) 3,5*16mm x26	 (E16) 4*35mm x10	 (E-2) 4,2*16mm x2
 (E-5) 4,2*65mm x3	 (F1) 5,0*9mm x6	 (F4) 6,3*13mm x8
 (G6) M 4*22mm x4	 (G7) M 4*25 x6	 (H2) RV-8 x12
 (H5) 8*50mm x3	 (H14) x3	 (I21) x3
 (J1) 5*16mm x8	 (K4) x5	 (L1) x4

 (M2) L-350mm x1	 (R4) N°4 x1	 (U3) x4
 (X1) x5	 (X10) x2	 (X12) 10x12 L-800mm x1

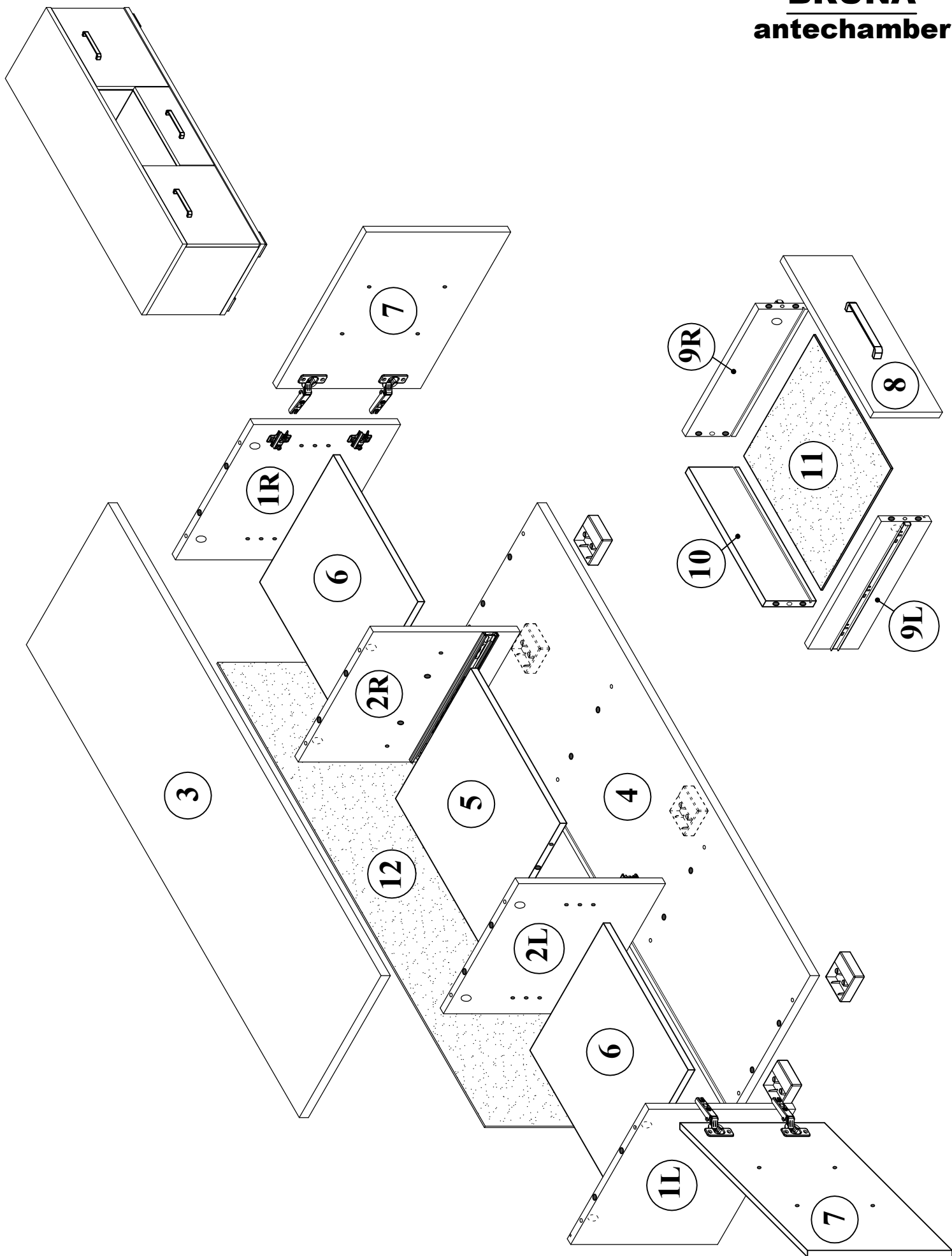
A

No	a*b	x	N°→...
1L	350x372	x1	
1R	350x372	x1	
2	350x358	x2	
3	1300x390	x1	
4	1300x390	x1	
5	426x358	x1	
6	403x350	x2	
7	430x344	x2	
8	430x164	x1	
9L	350x120	x1	
9R	350x120	x1	
10	368x120	x1	
11	377x343	x1	
12	1275x359	x1	
13	1290x370	x1	

B

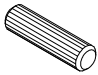
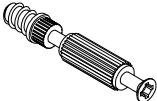

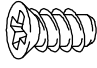
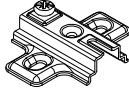
No	a*b	x	N°→...
1R	432x1580	x1	
2L	868x1580	x1	
3	1298x260	x1	
		x1	3/3

BRUNA antechamber

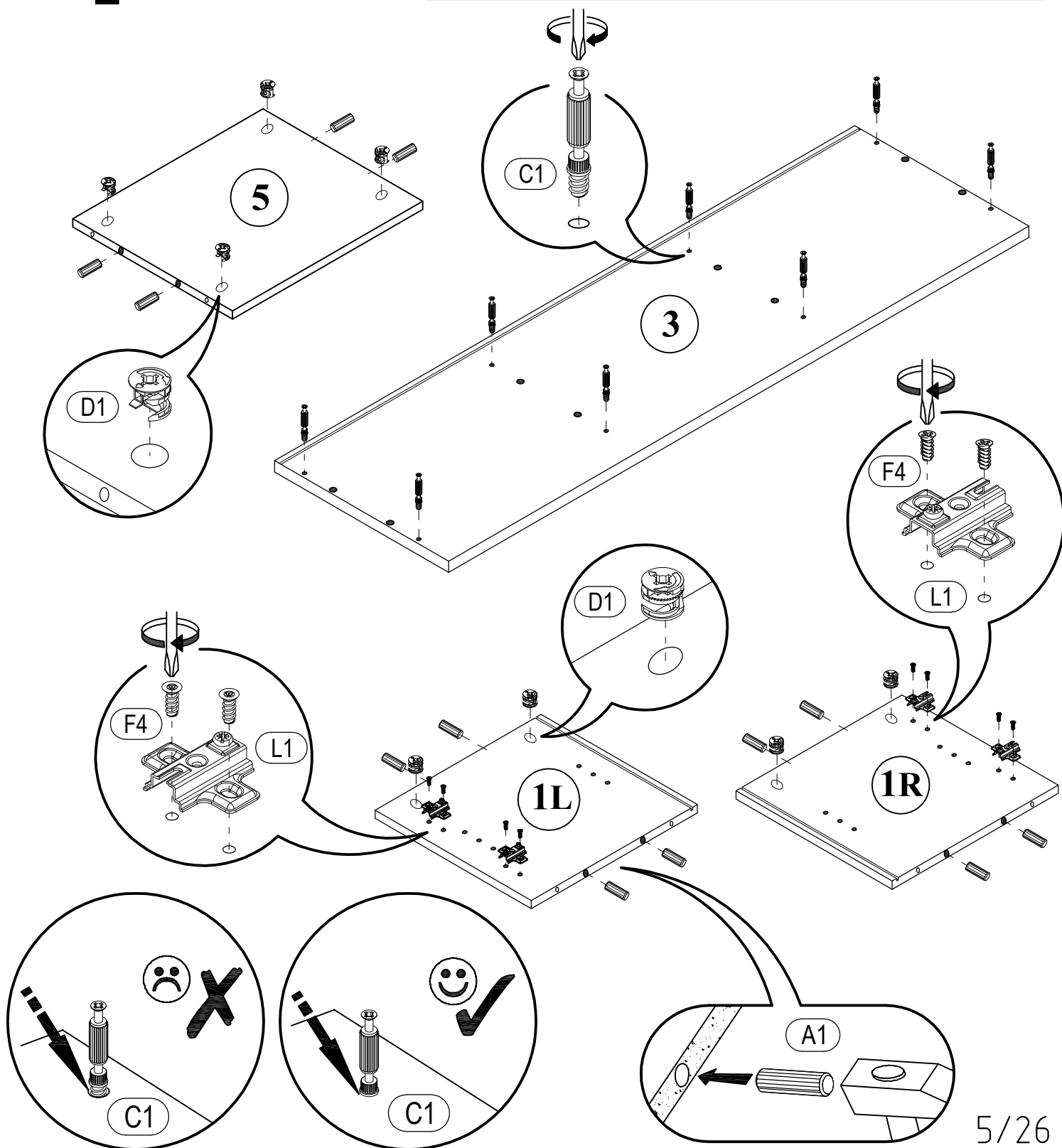


A

BRUNA antechamber

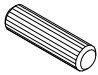
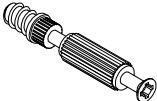

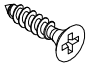
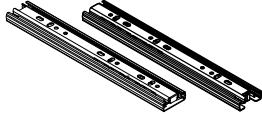
 A1 8*30mm x12	 C1 6*43mm x8	 D1 15/16 x8
	 F4 6,3*13mm x8	 L1 x4

1

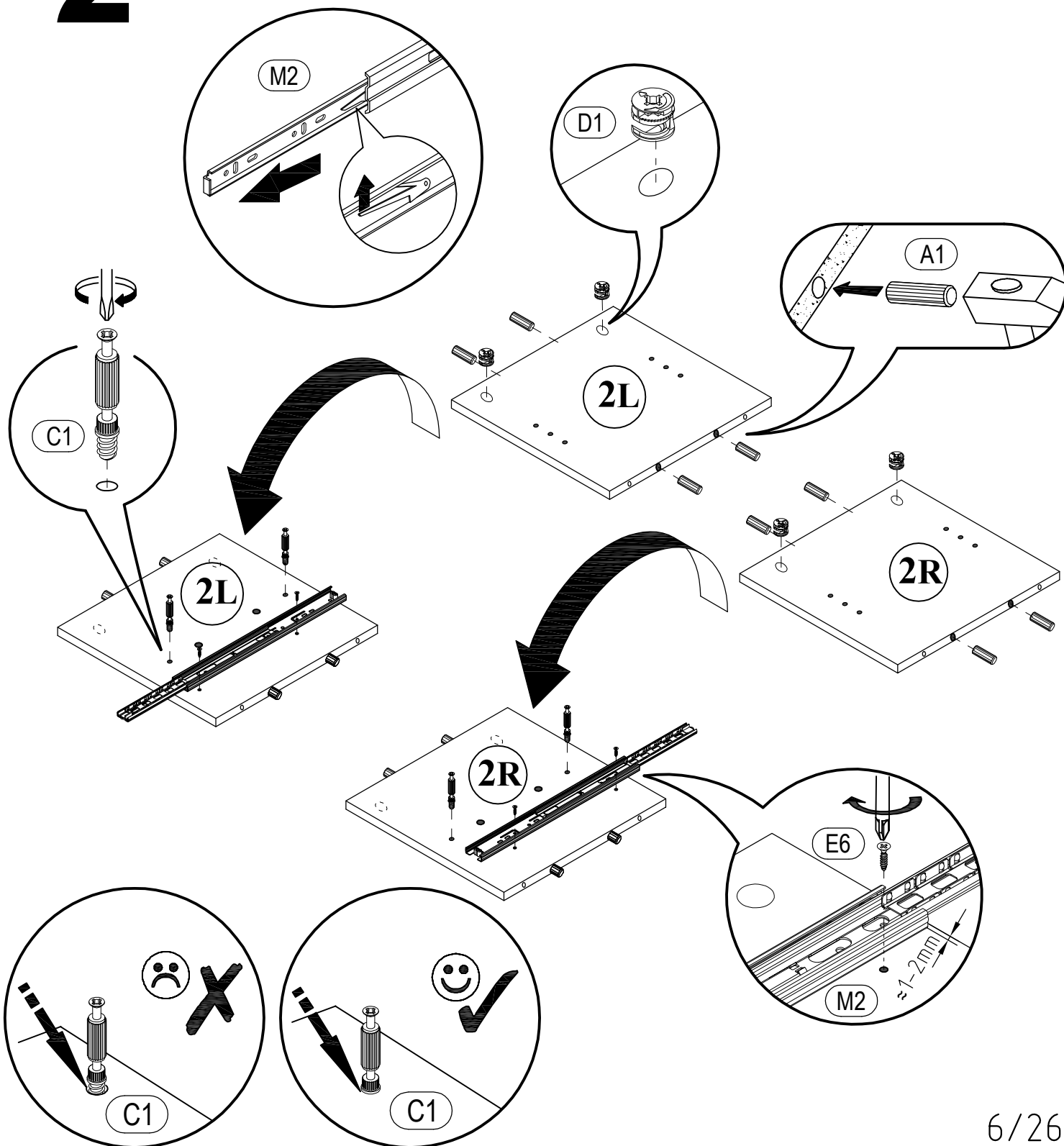


A

BRUNA antechamber

 A1 8*30mm x8	 C1 6*43mm x4	 D1 15/16 x4
	 E6 3,5*16 x4	 M2 L-350mm x1

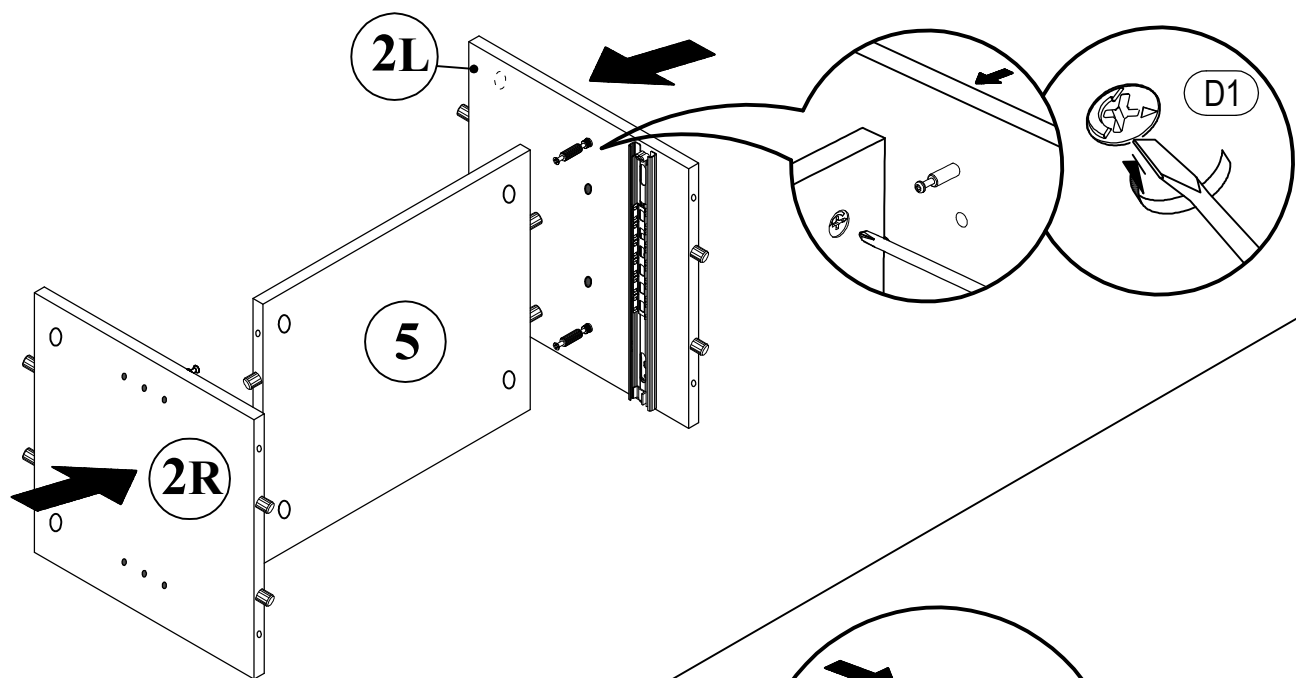
2



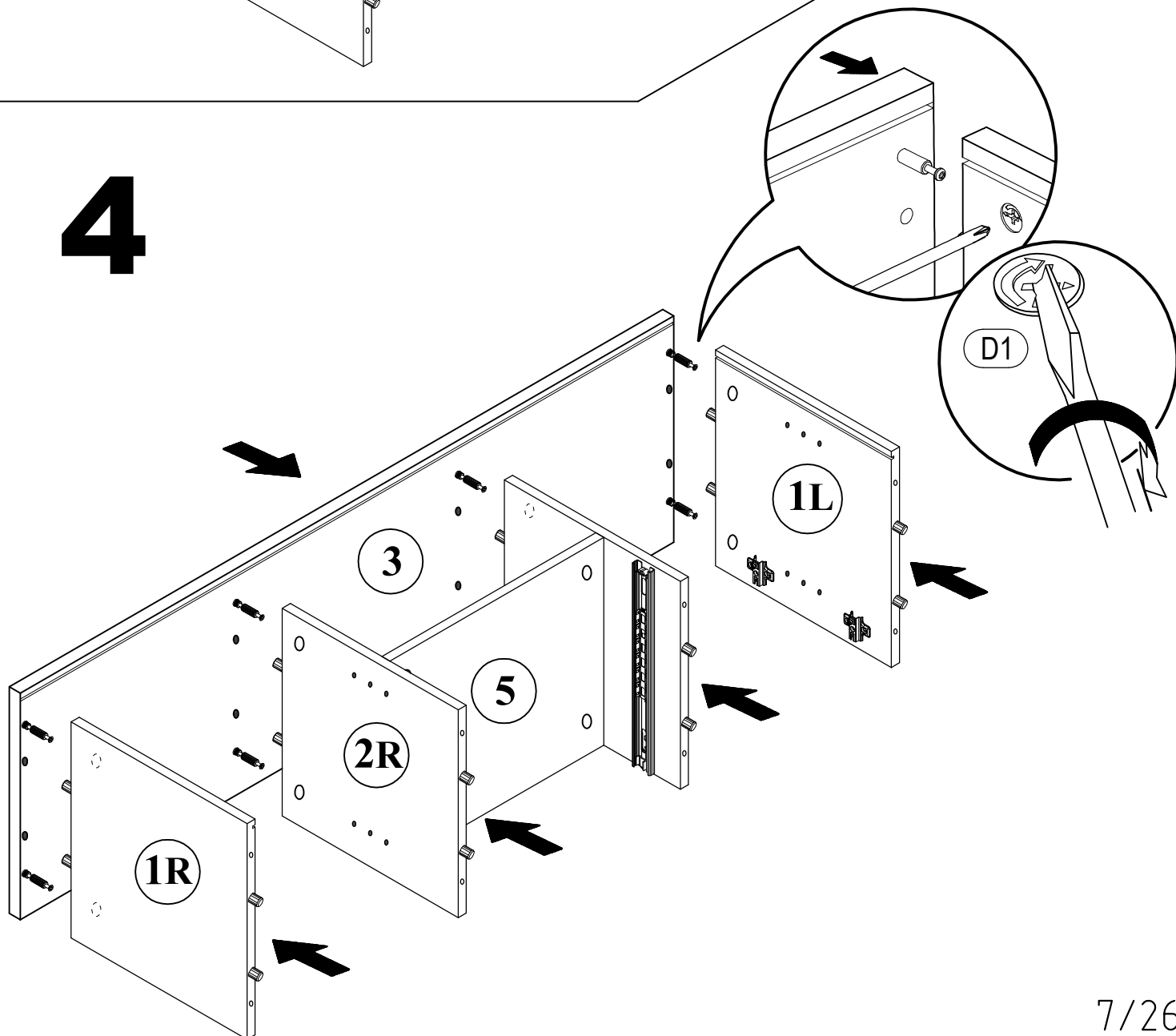
A

BRUNA
antechamber

3



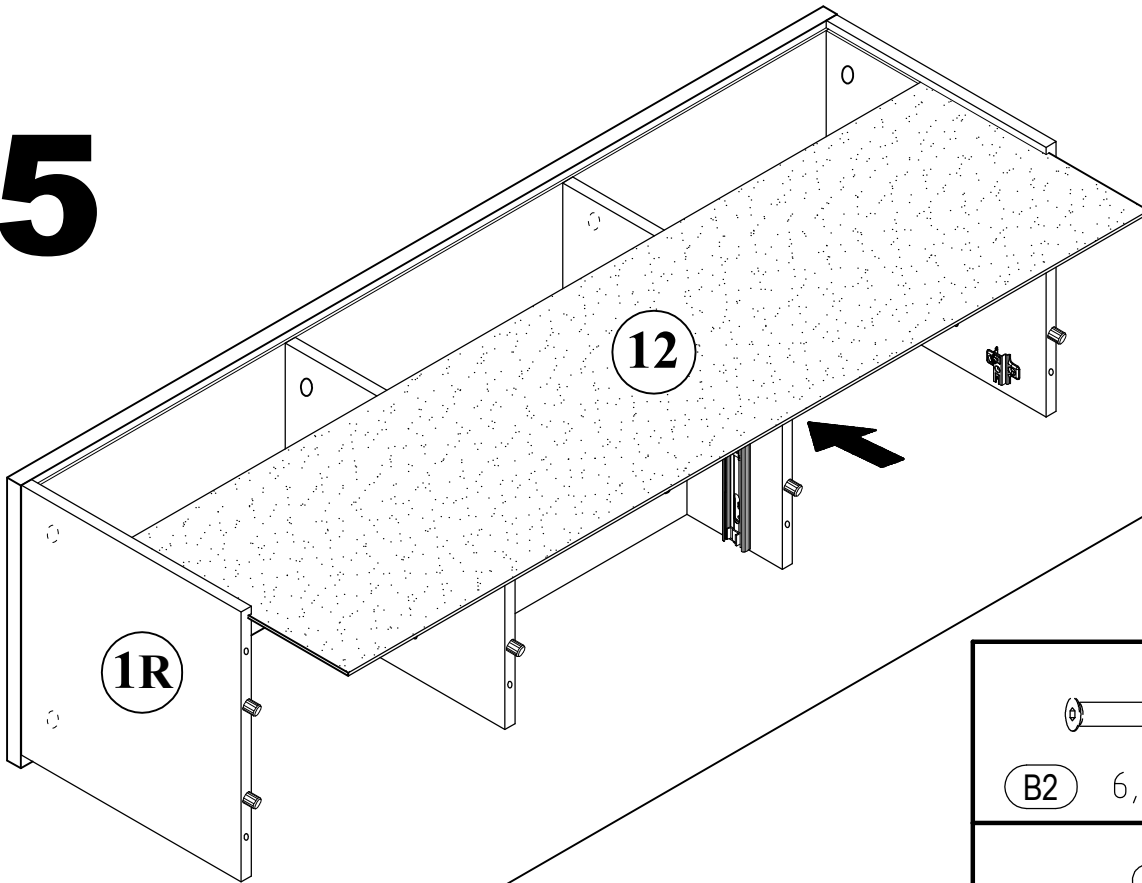
4


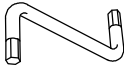


BRUNA antechamber

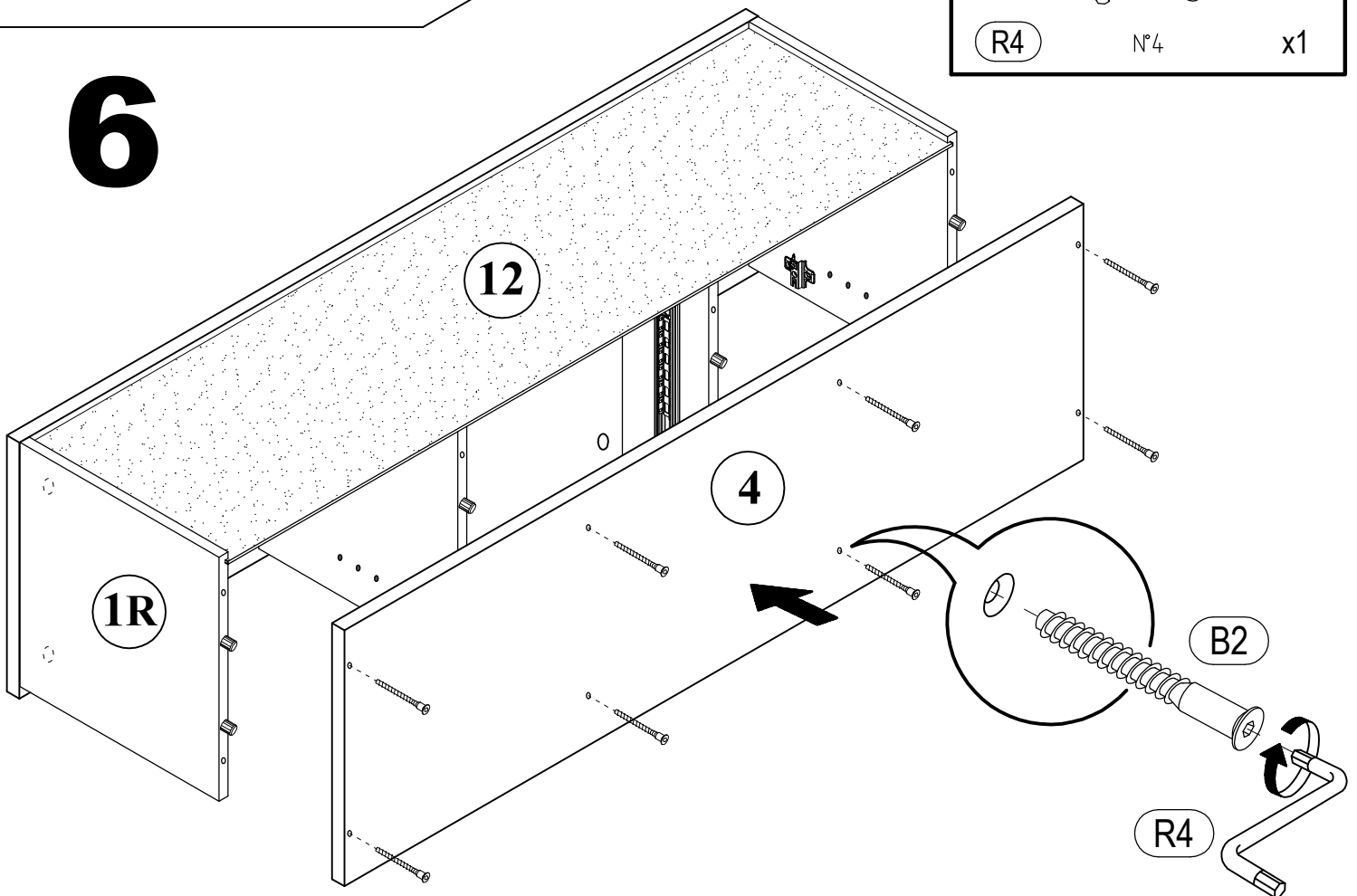
A

5





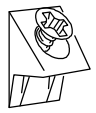
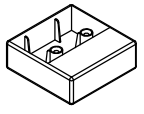

B2 6,8*70mm x8

R4 N°4 x1

6

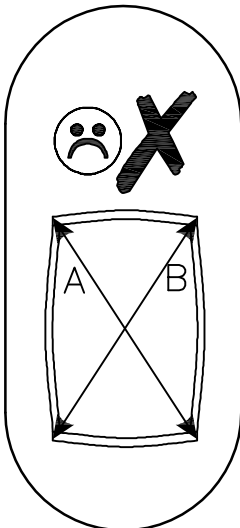
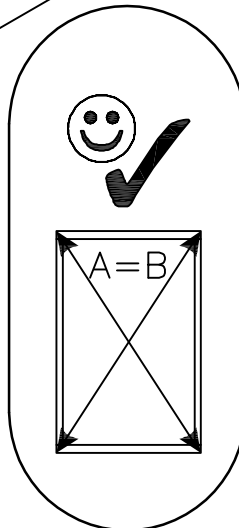
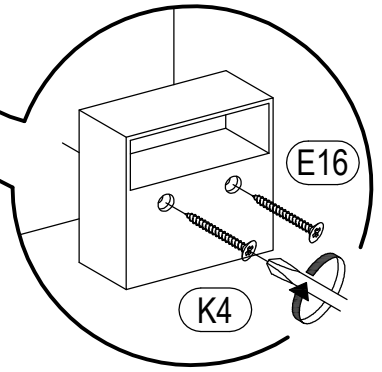
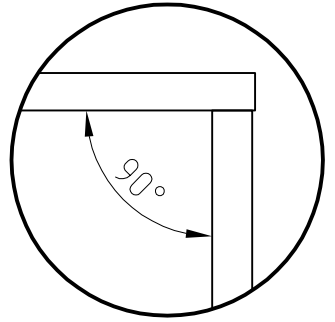
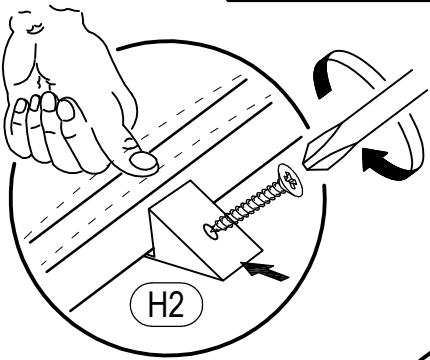
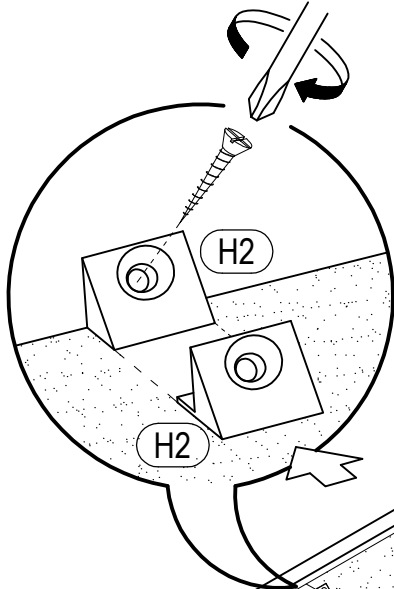
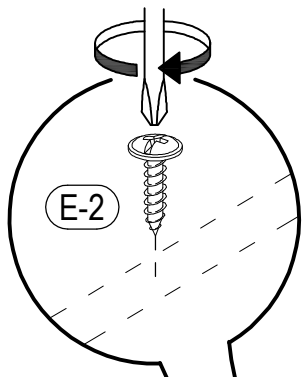
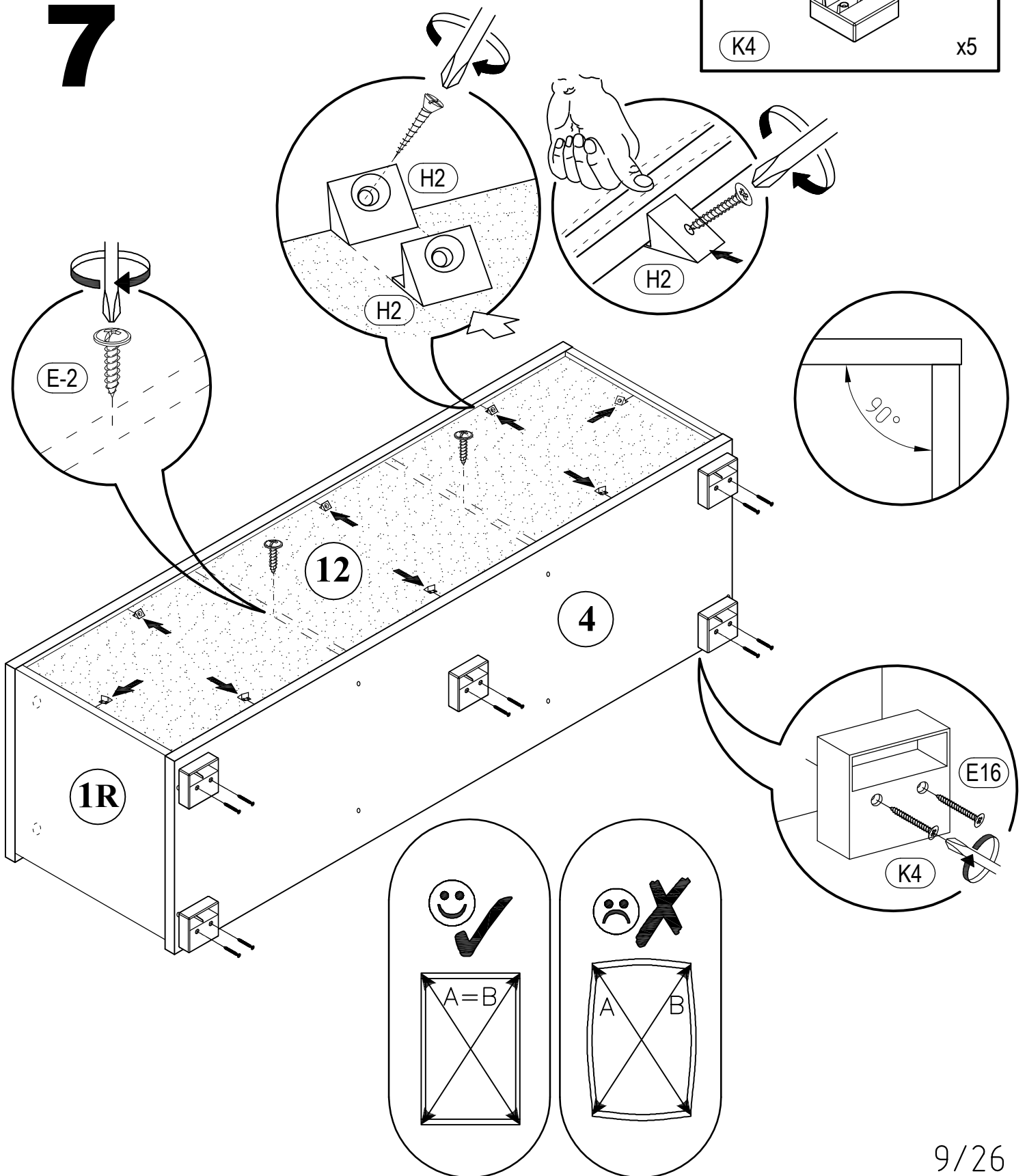


A

BRUNA antechamber


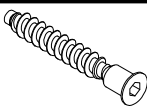
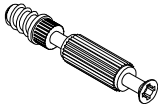
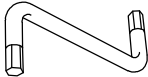
 (E16) 4*35mm x10	 (E-2) 4,2*16mm x2	 (H2) RV-8 x8
		 (K4) x5

7

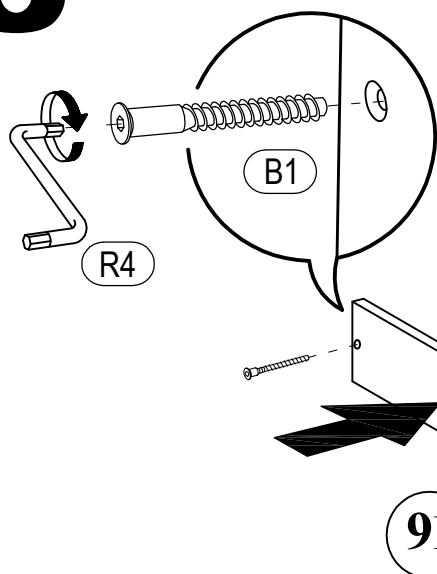


A

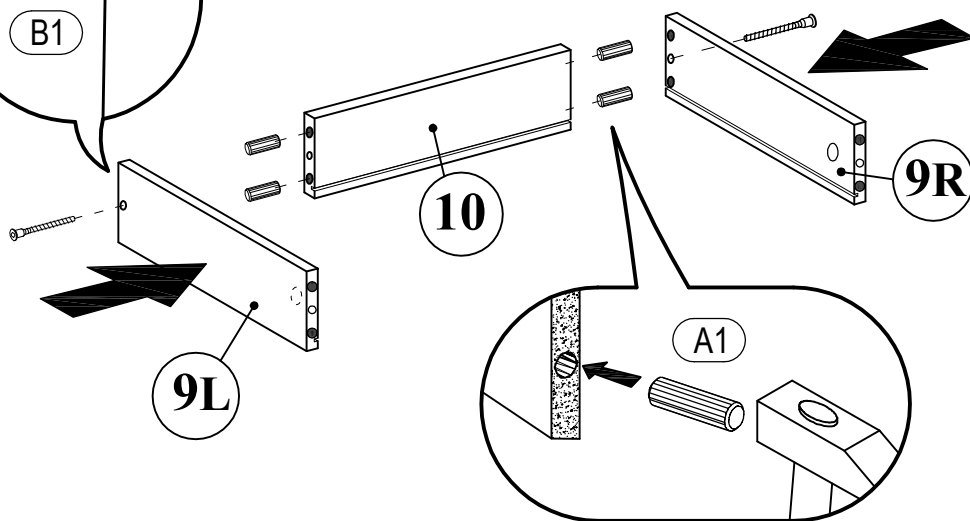
BRUNA
antechamber

 A1 8*30mm x4	 B1 6,3*50mm x2	 C1 6*43mm x2
		 R4 N°4 x1

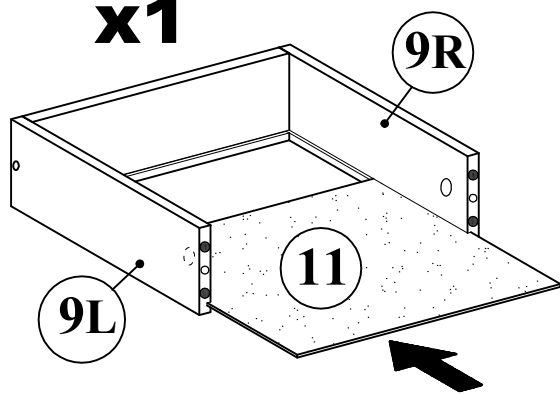
8



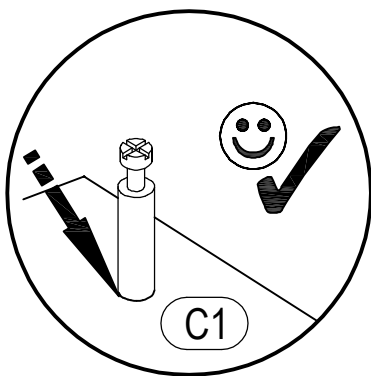
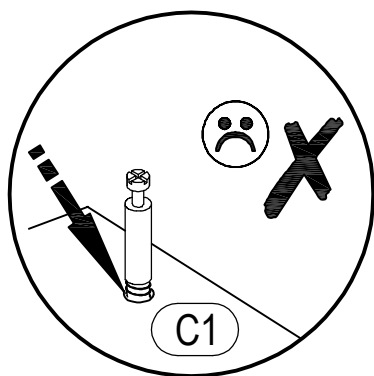
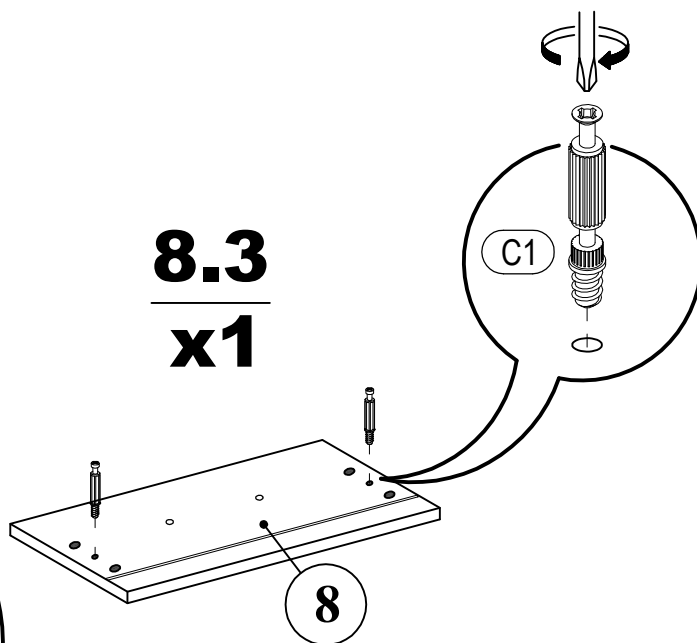
8.1
x1



8.2
x1







8.3
x1



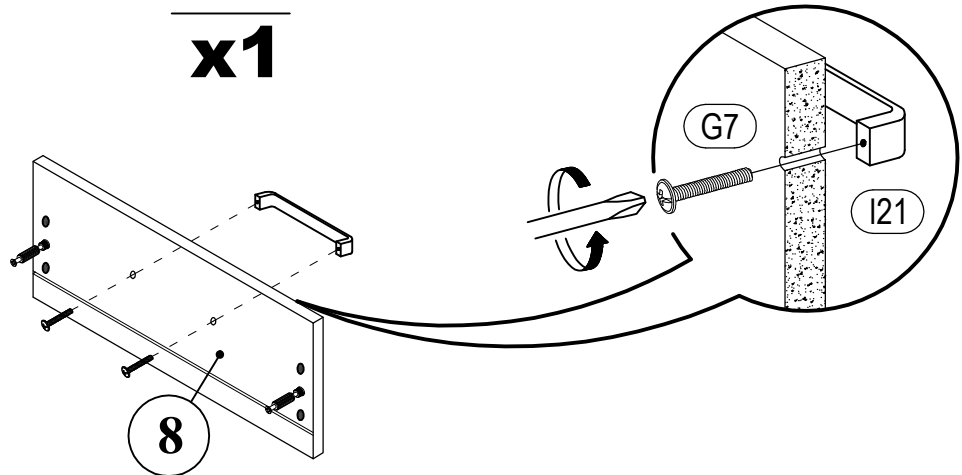
A

BRUNA
antechamber

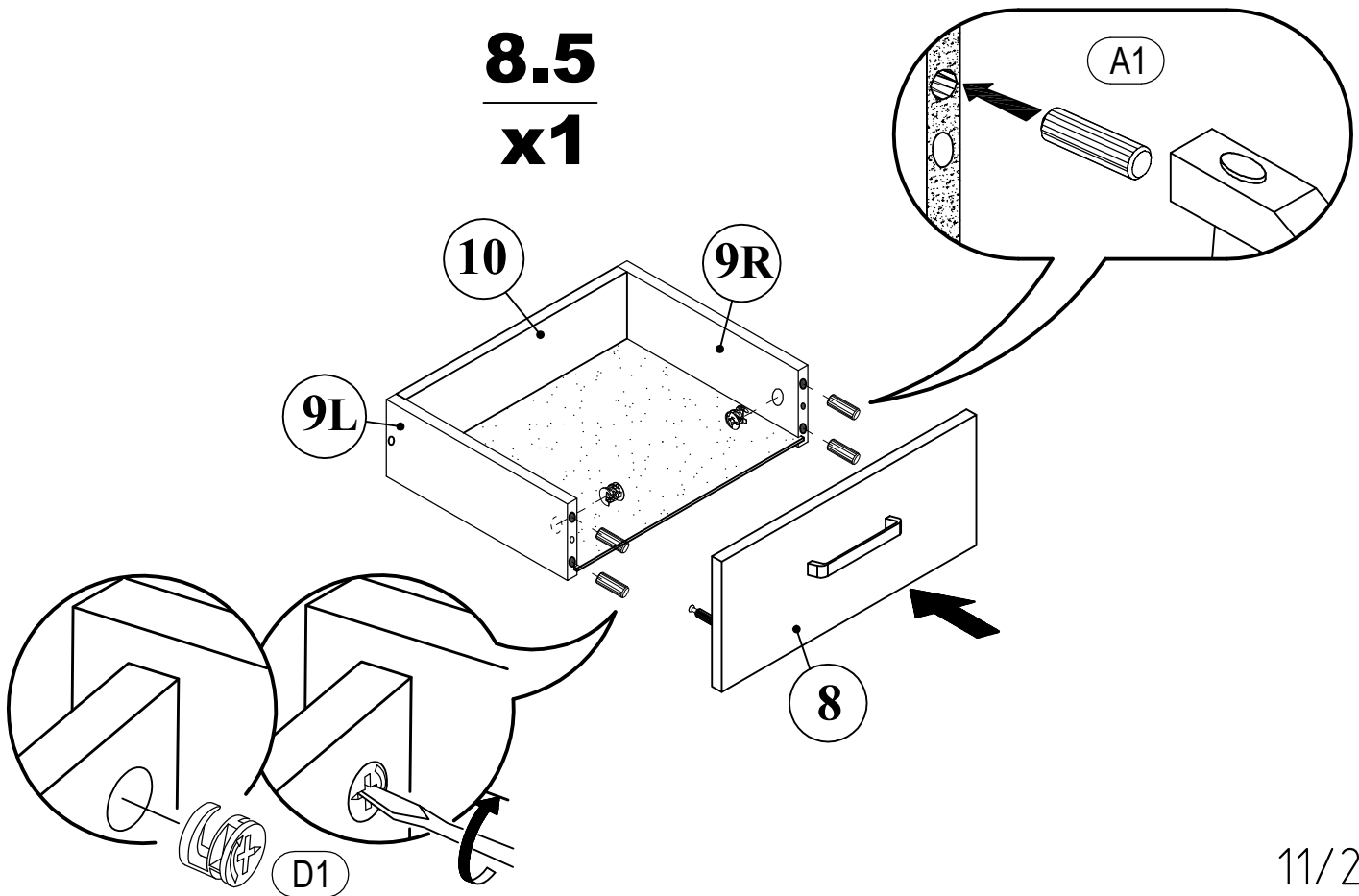
 A1 8*30mm x4	 D1 15/16 x2	 G7 M 4*25 x2
		 I21 x1

8

8.4
x1

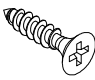

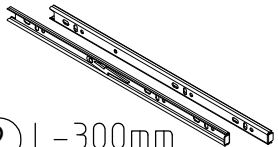


8.5
x1

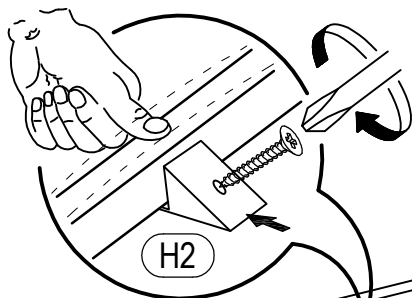


A

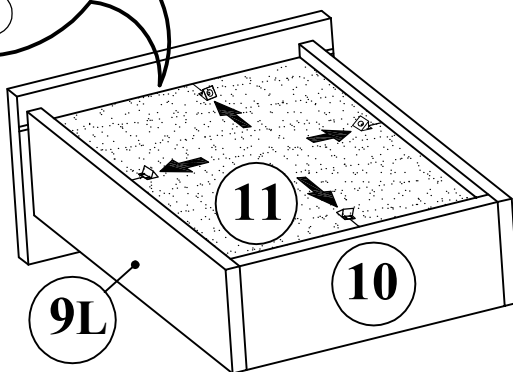
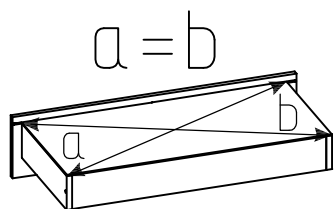
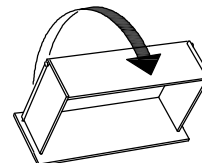
BRUNA antechamber

 E6 3,5*16mm x4	 H2 RV-8 x4	 M2 L-300mm x1
---	---	--

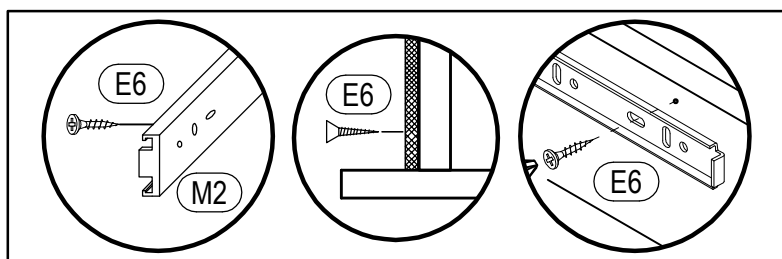
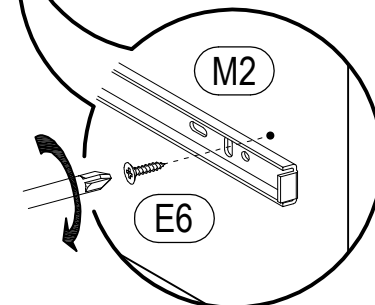
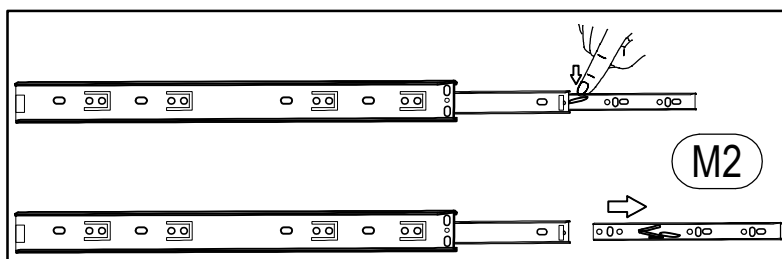
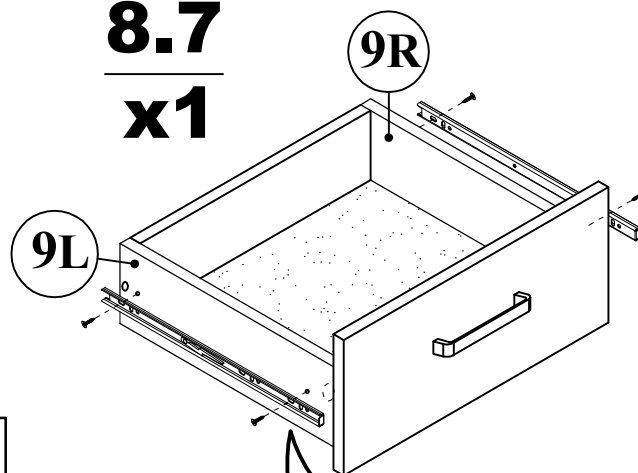
8



8.6
x1



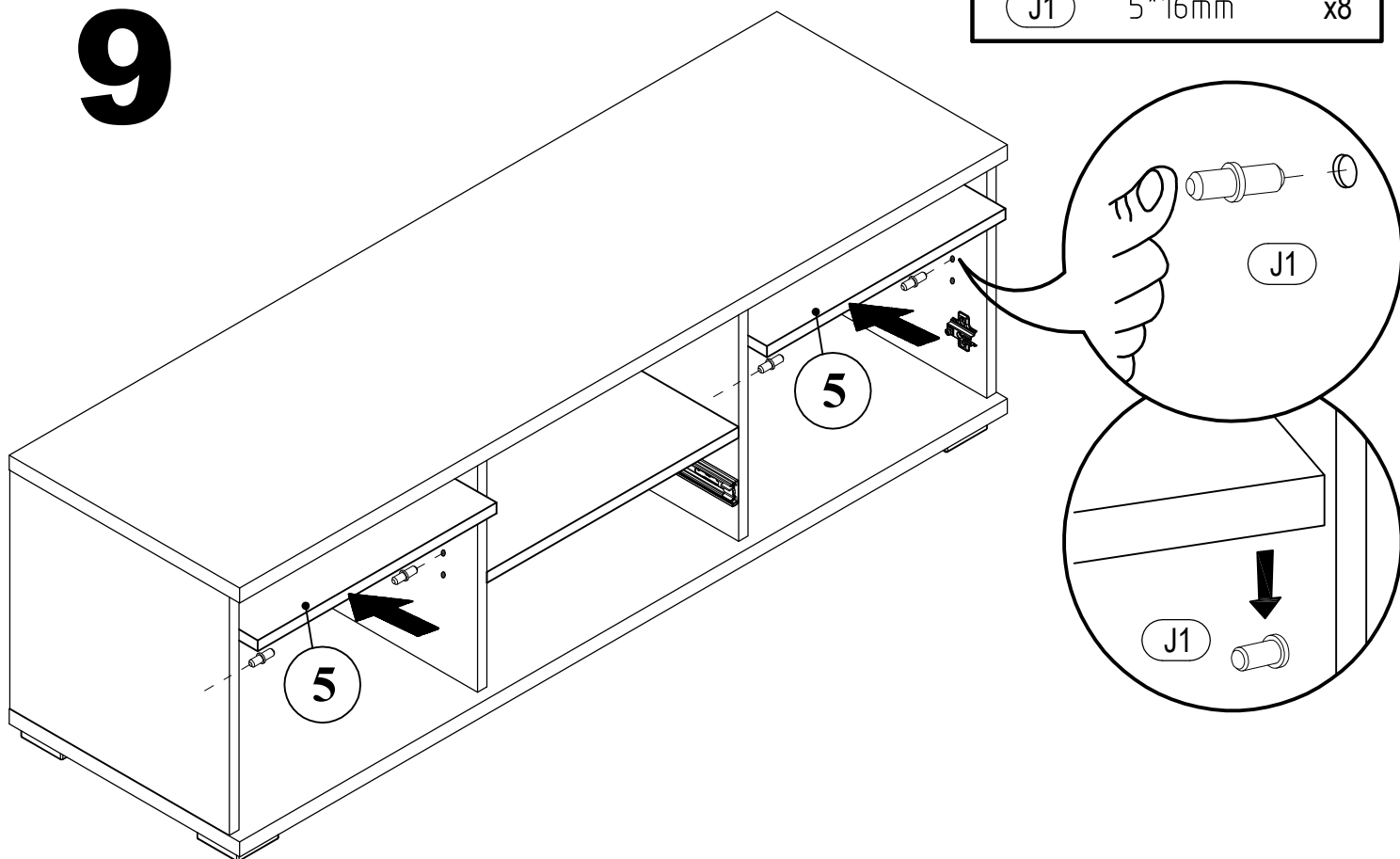
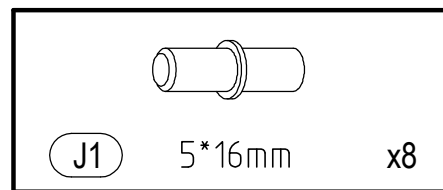
8.7
x1



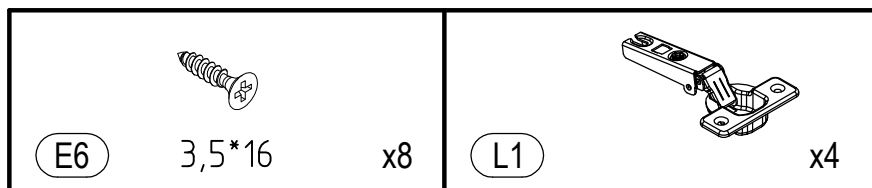
A

BRUNA antechamber

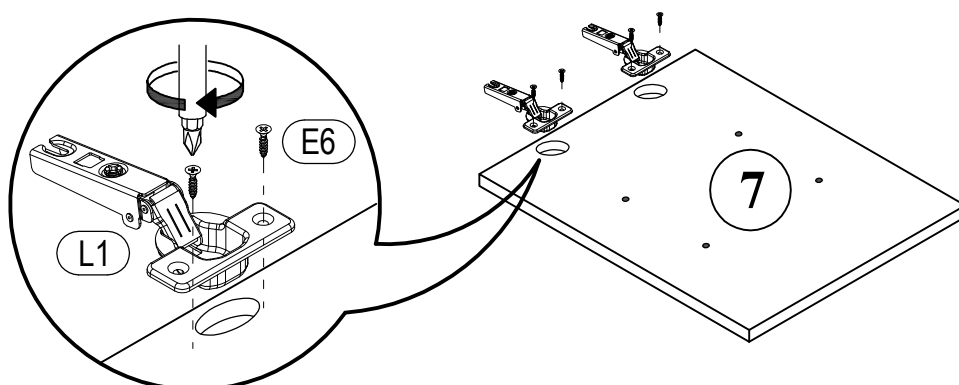
9



10



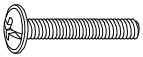

x2

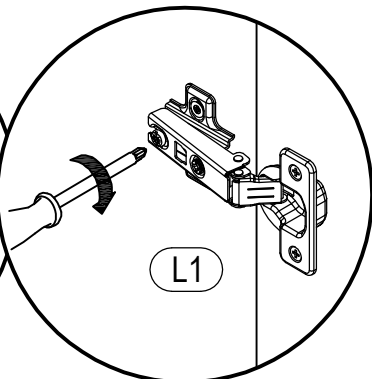
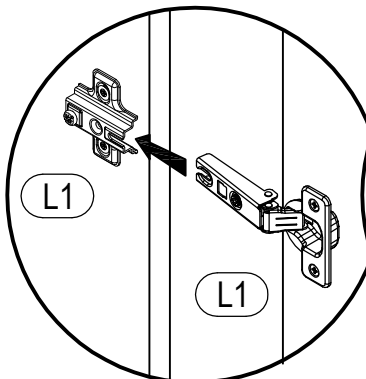
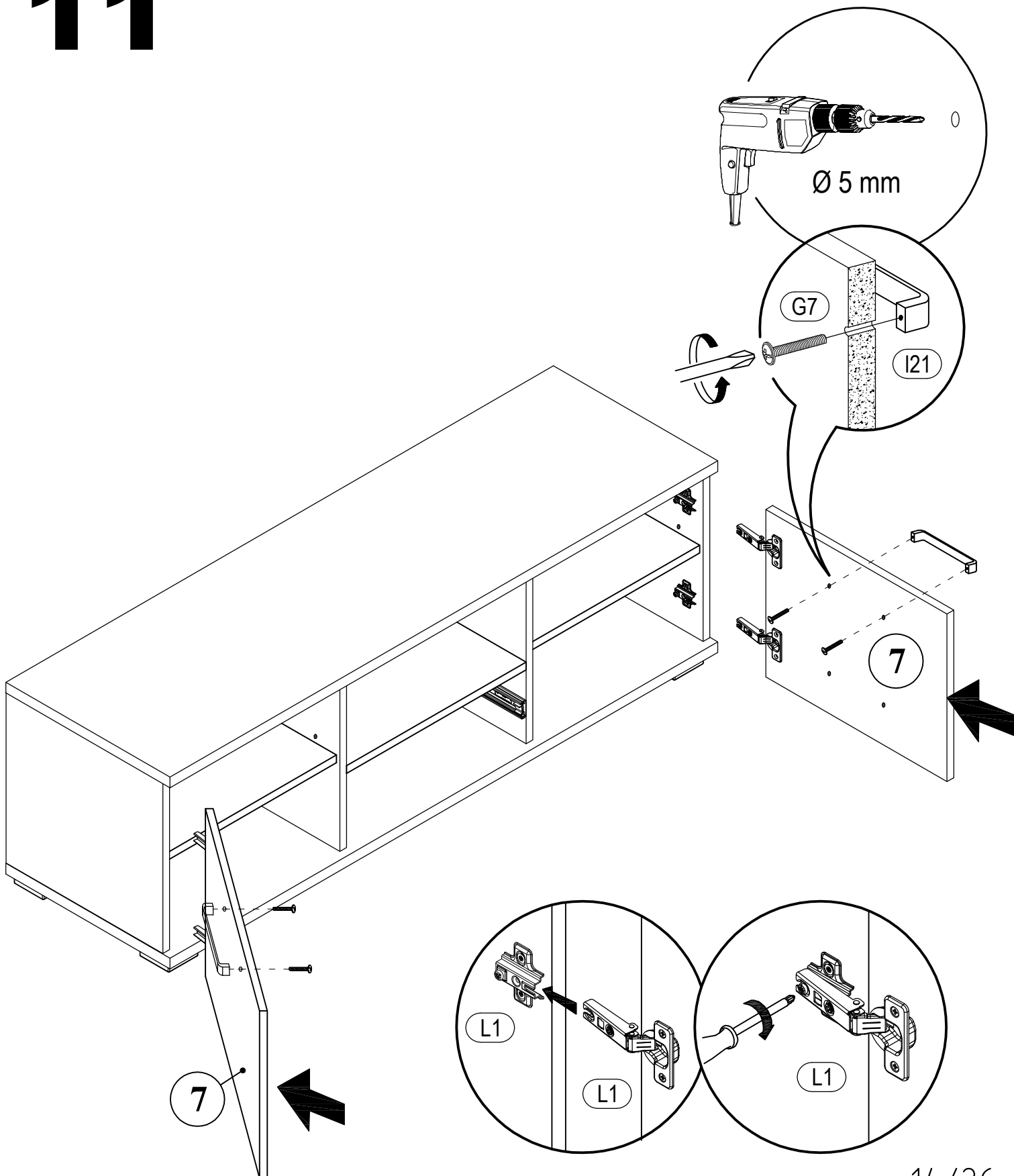


A

BRUNA
antechamber




11

	
(G7) M 4*25 x4	(I21) x2

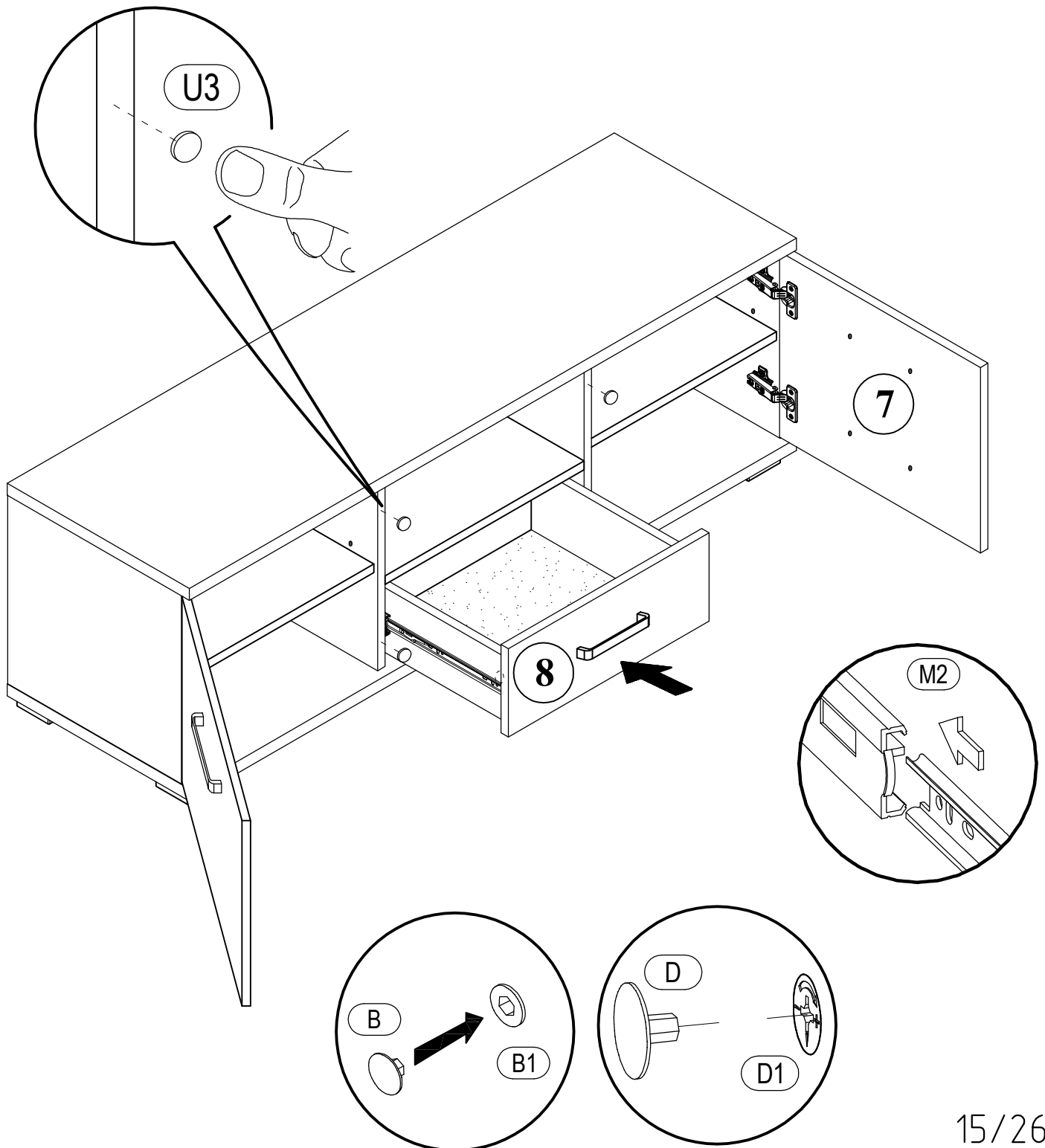


A

BRUNA
antechamber

 B $\phi 12\text{mm}$ x10	 D $\phi 20\text{mm}$ x14	 U3 x4
---	---	---

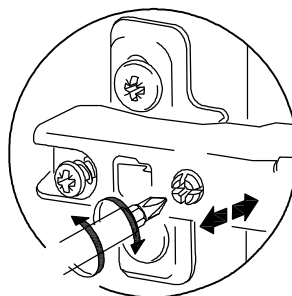
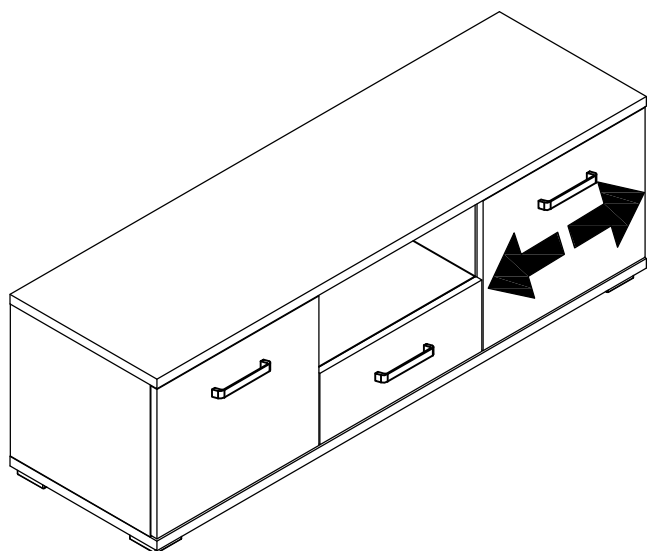
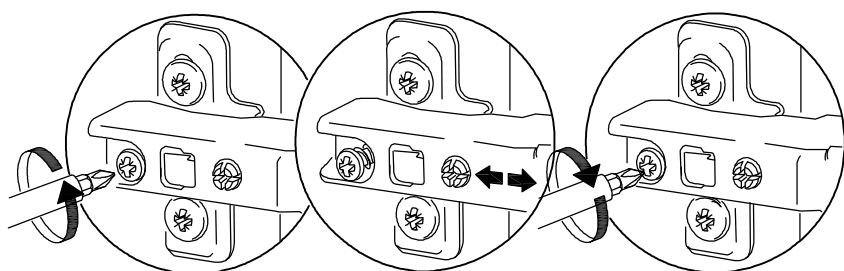
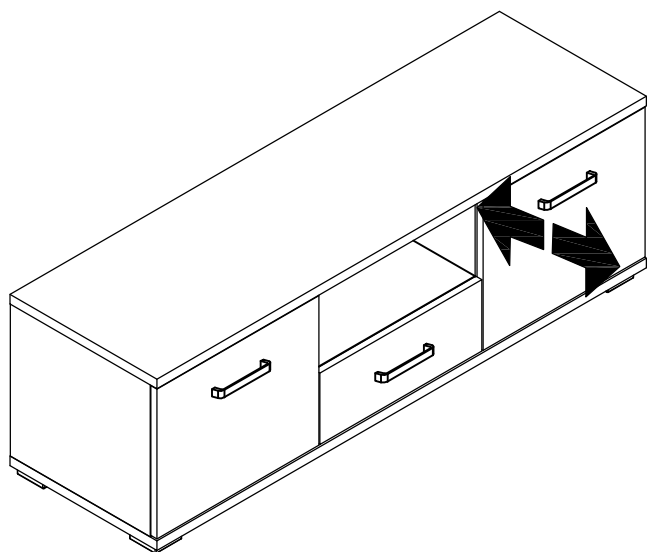
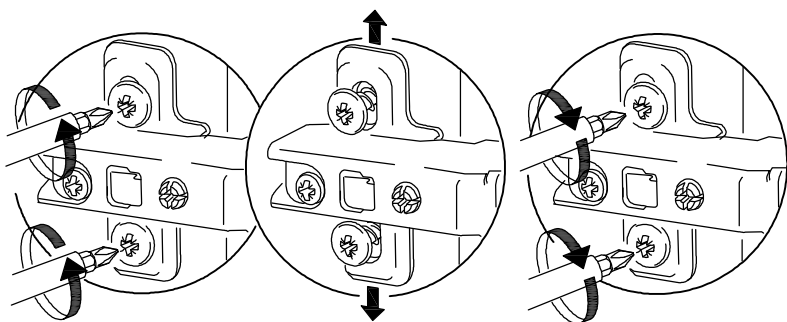
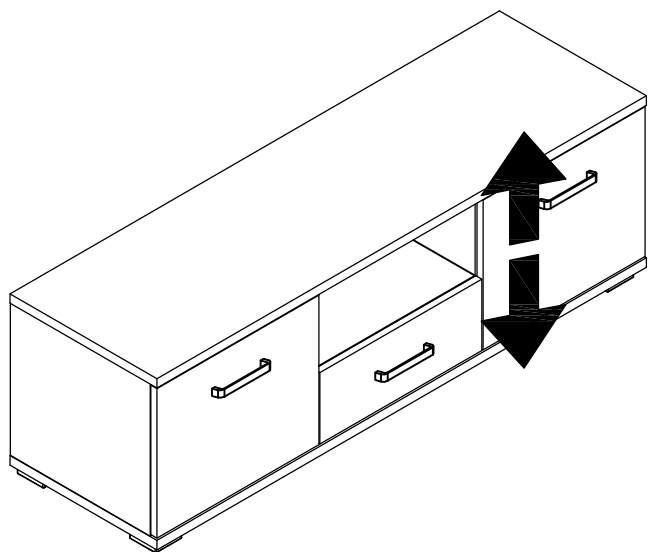
12



A

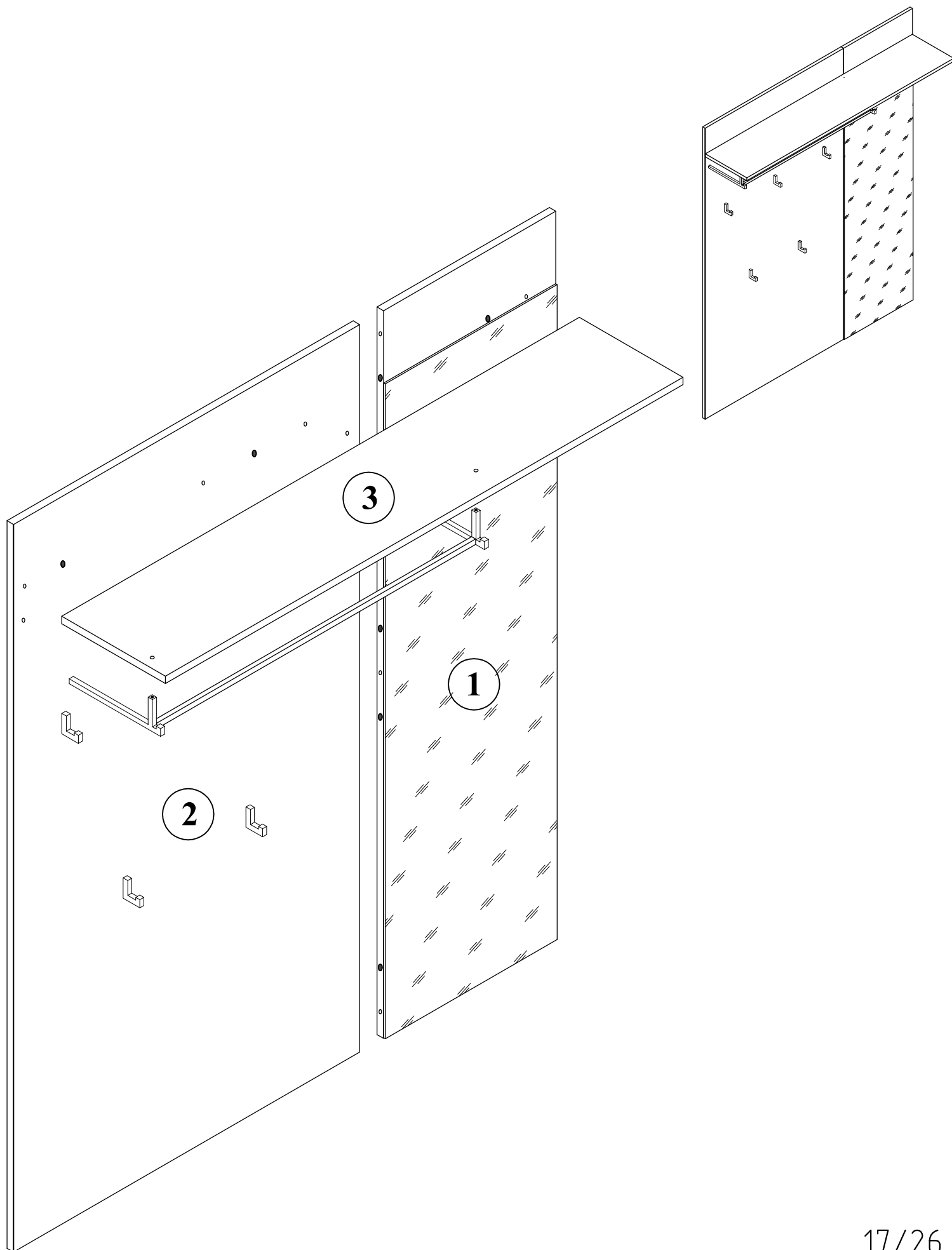
BRUNA
antechamber

13



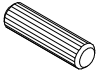

B

BRUNA
antechamber

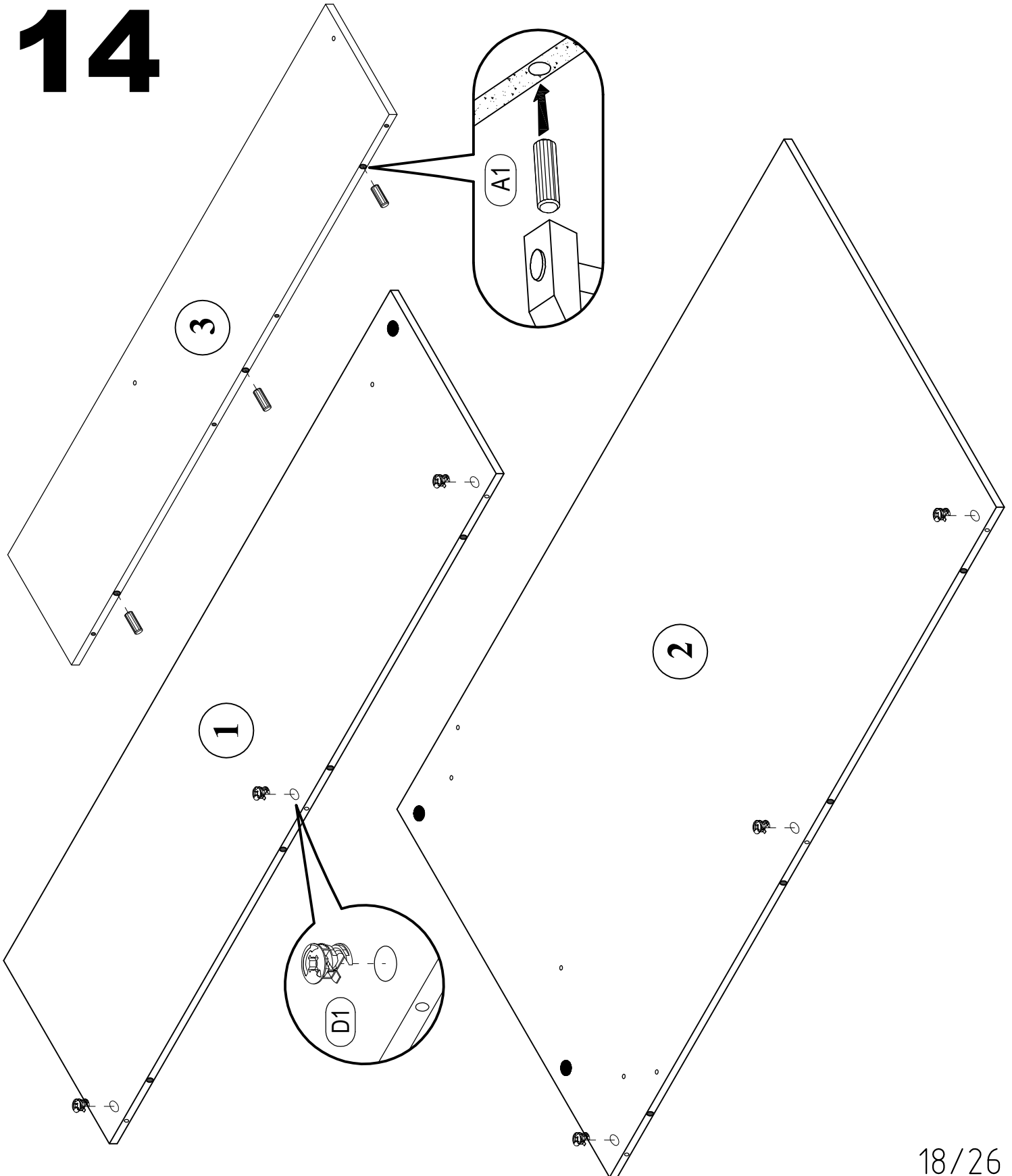


B

BRUNA
antechamber

 A1 8*30mm x3	 D1 15/16 x6
--	---

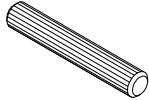
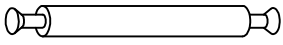
14

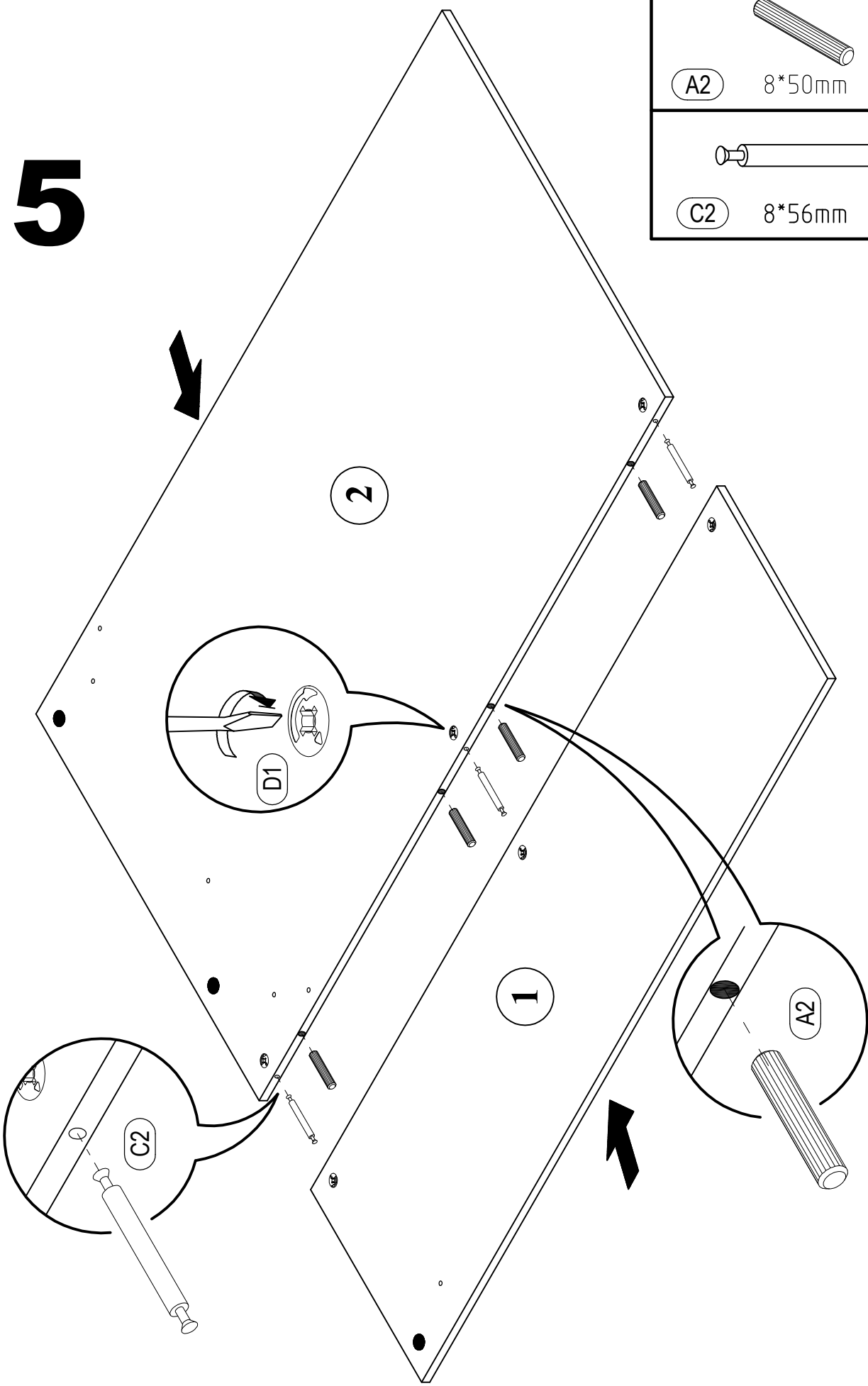


15

B


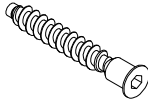
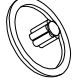
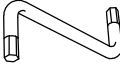
BRUNA antechamber

	A2	8*50mm	x4
	C2	8*56mm	x3

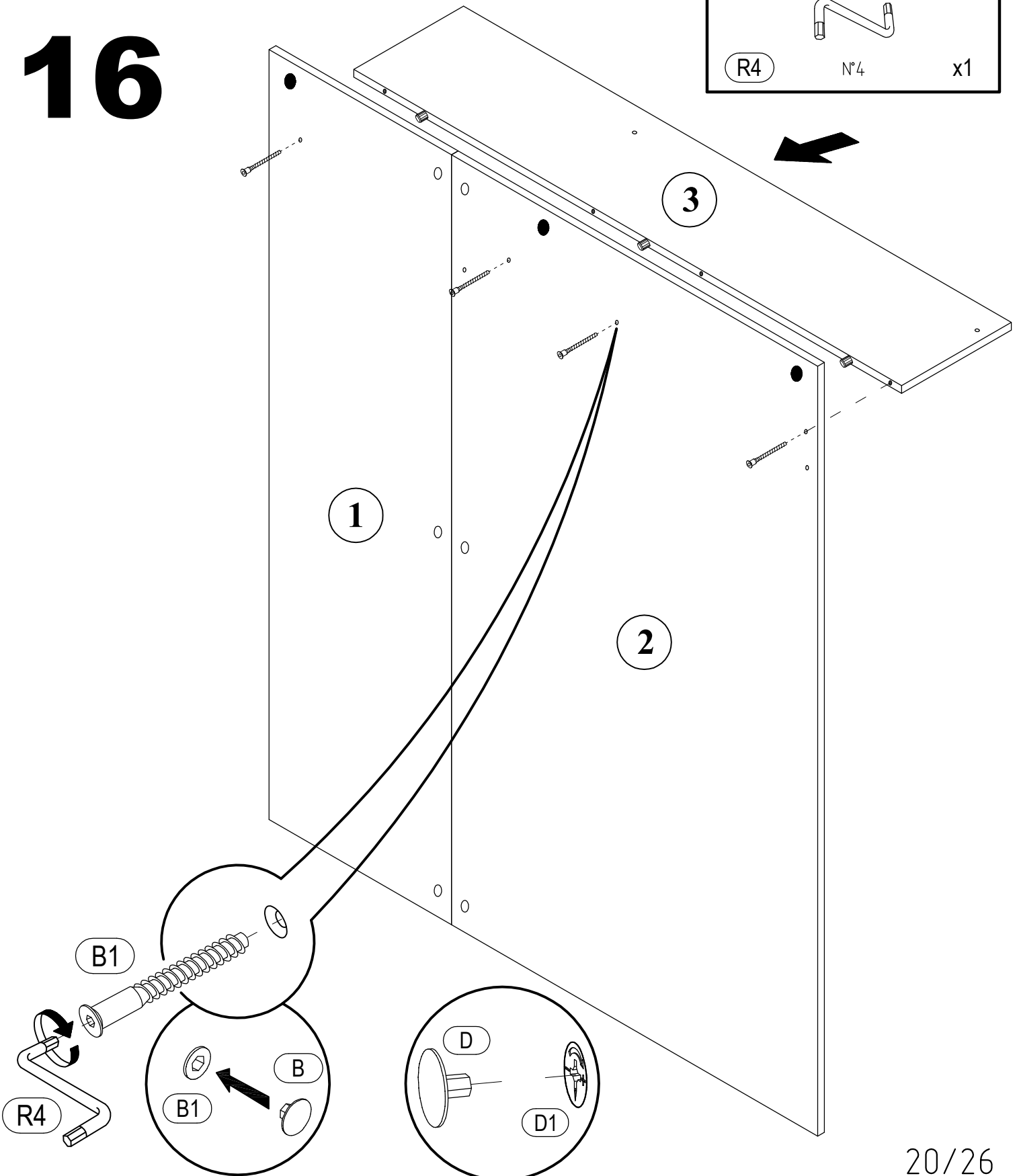


B

BRUNA
antechamber



 B $\phi 12\text{mm}$ x4	 B1 6,3*50mm x4	 D $\phi 20\text{mm}$ x6
		 R4 N°4 x1

16

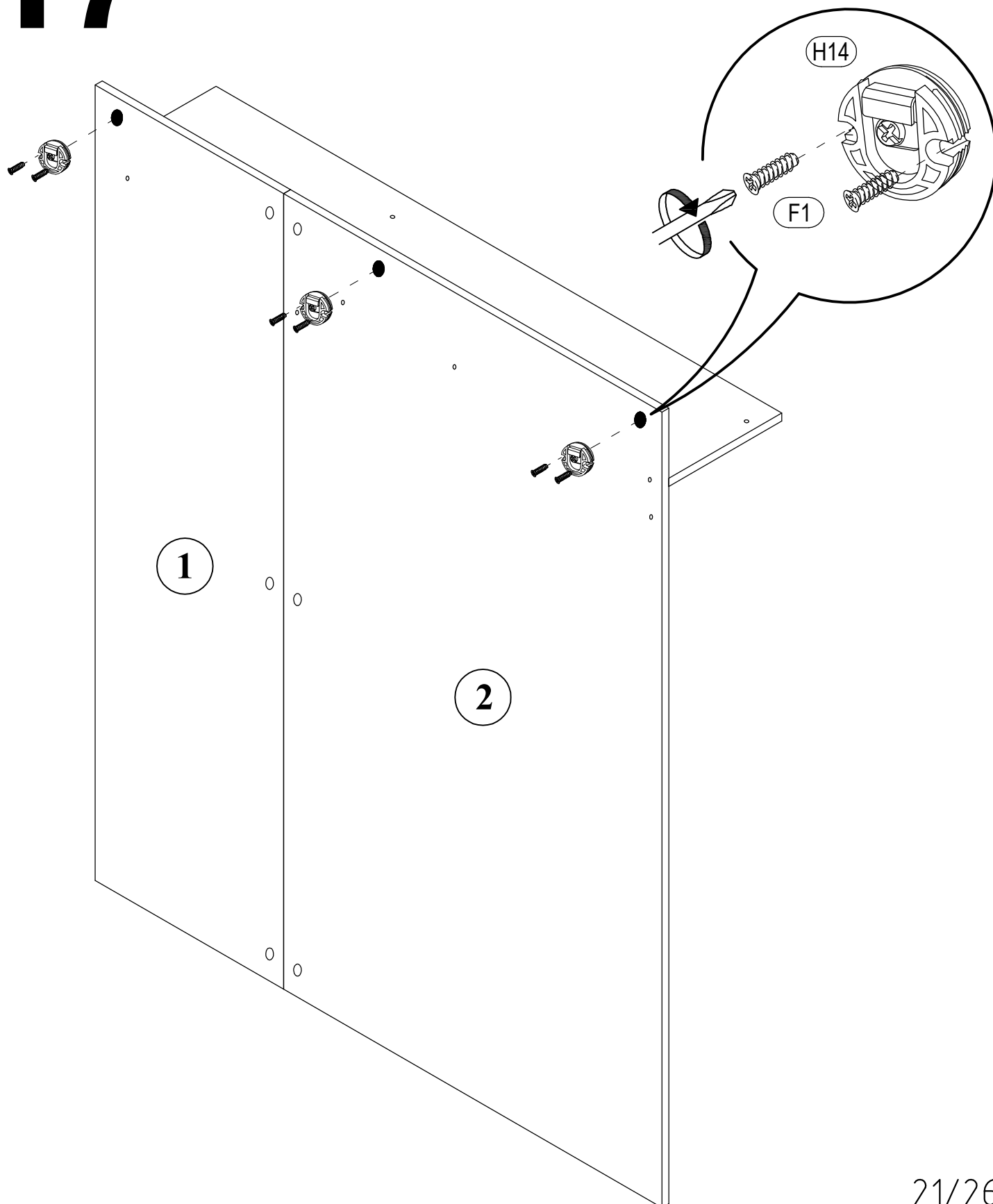


B

BRUNA
antechamber

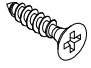
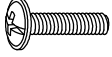
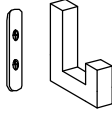
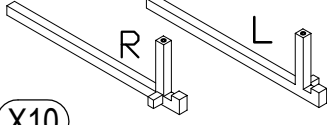
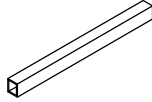
 F1 5,0*9mm x6	 H14 x3
---	--

17

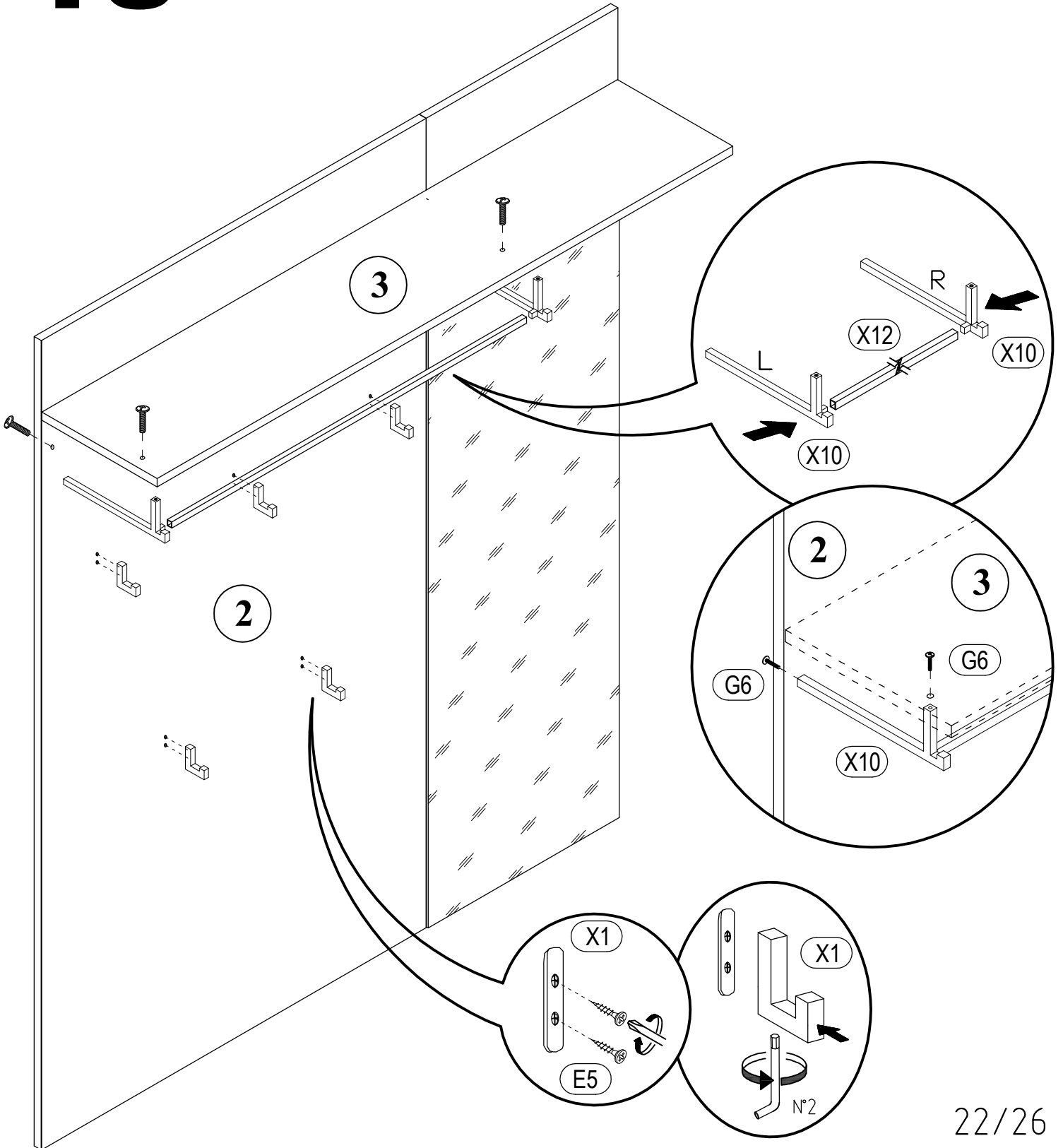


B

BRUNA
antechamber

 E6 3,5*16mm x10	 G6 M 4*22mm x4	 X1 x5
 X10 x2	 X12 10x12 L-800mm x1	

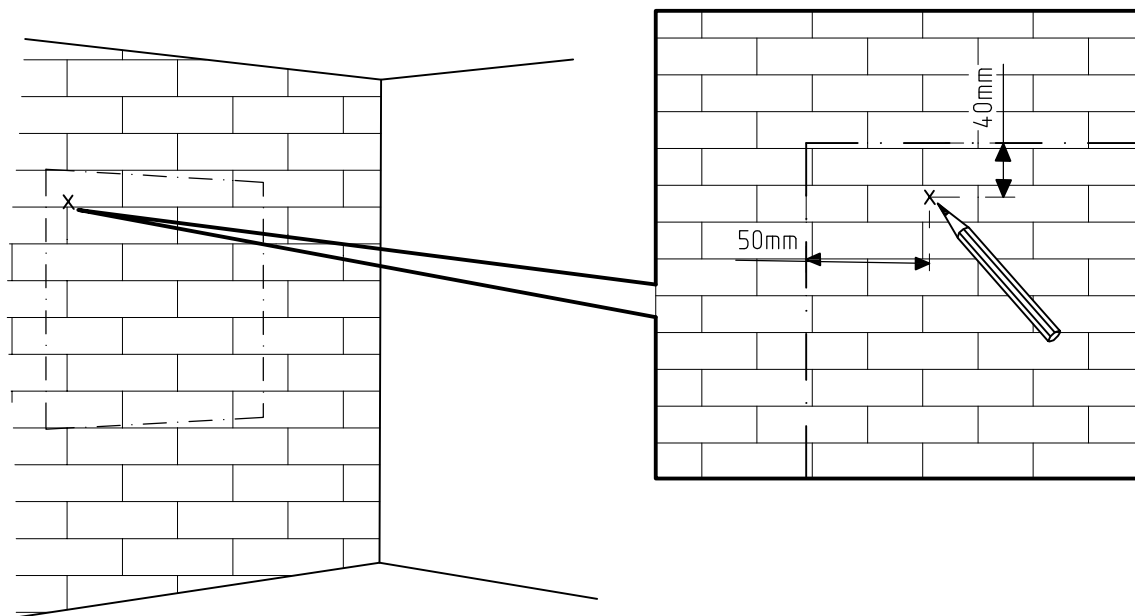
18



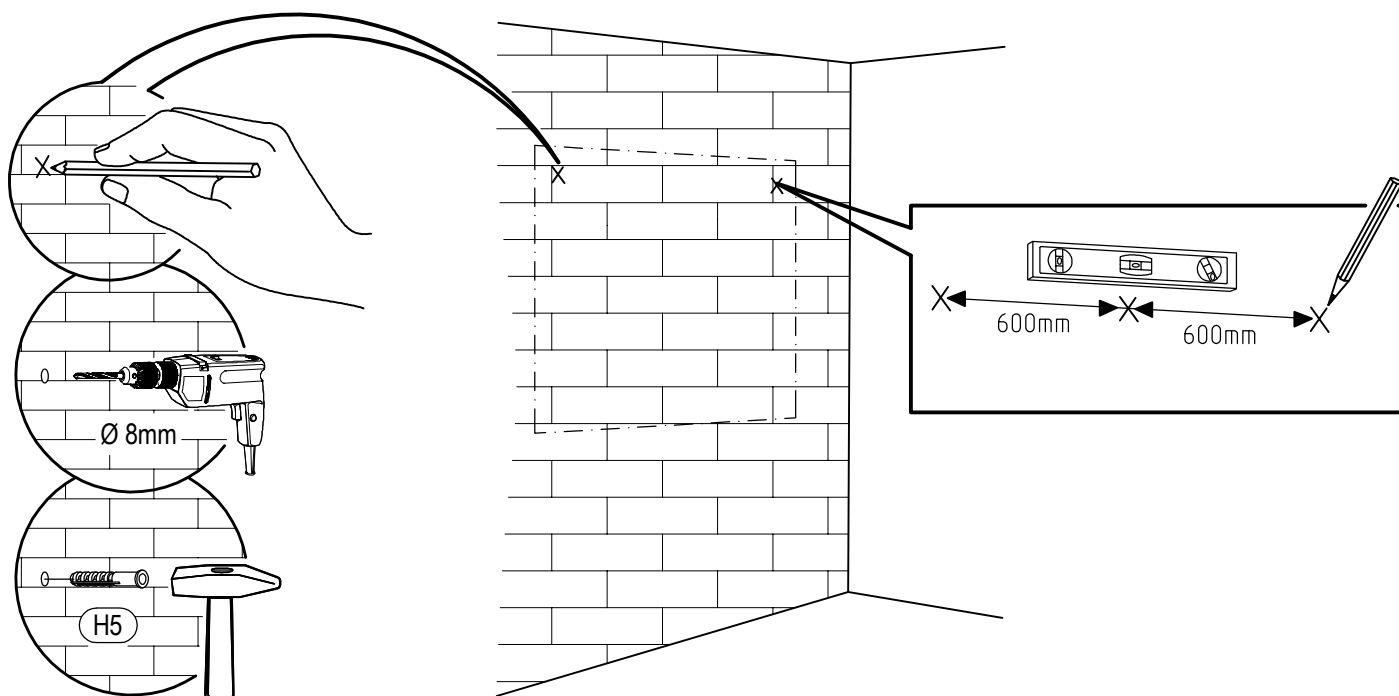
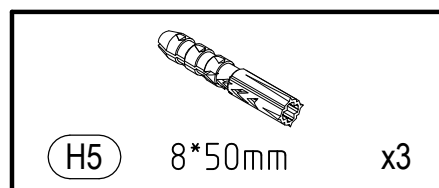
B

BRUNA
antechamber

19



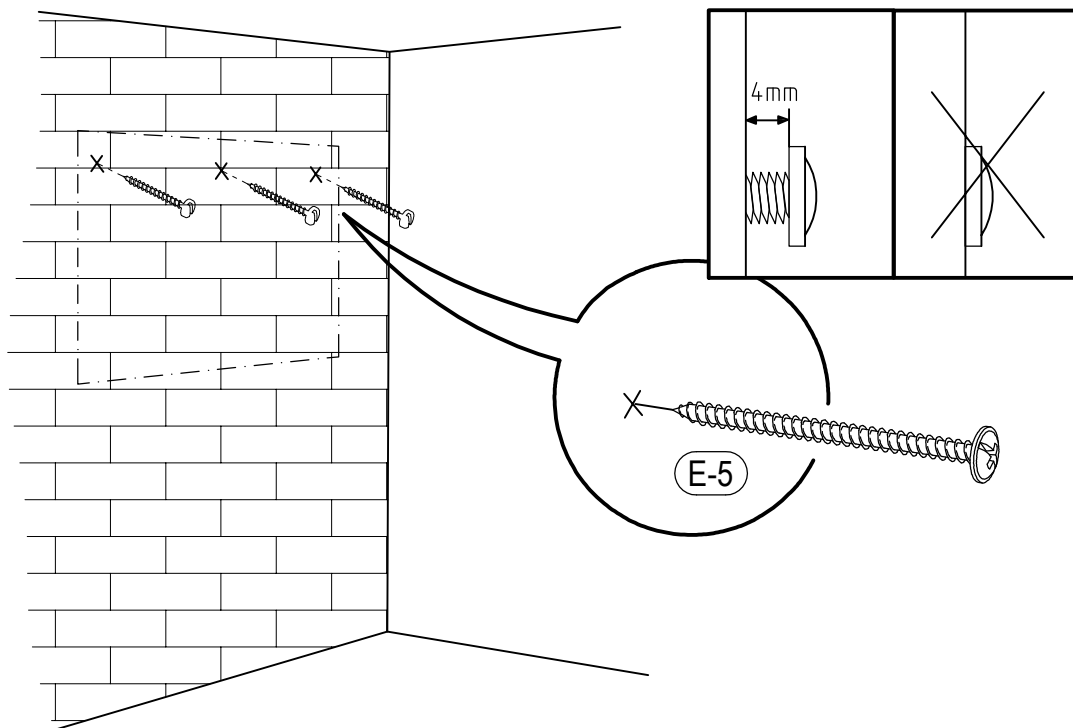
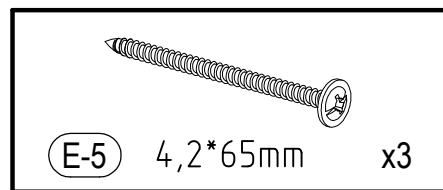
20



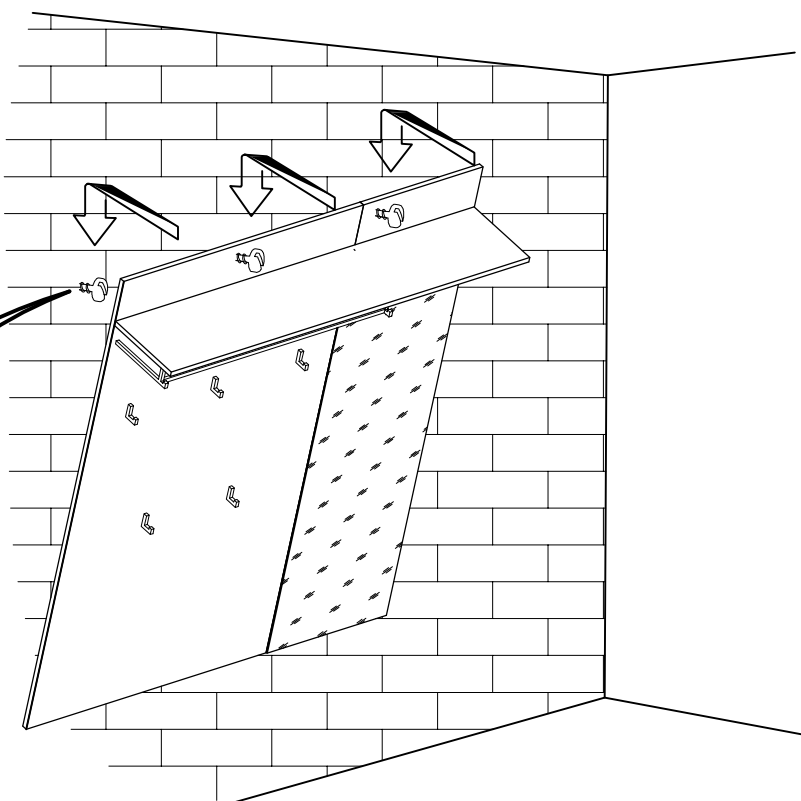
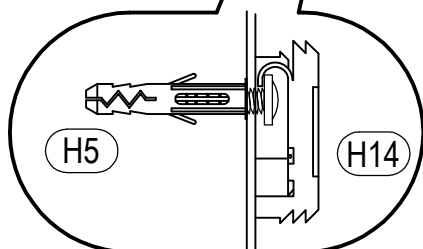
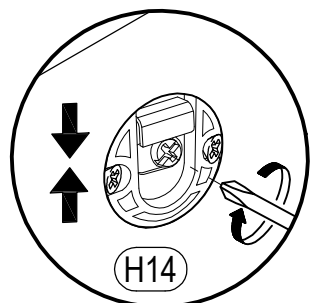
B

BRUNA
antechamber

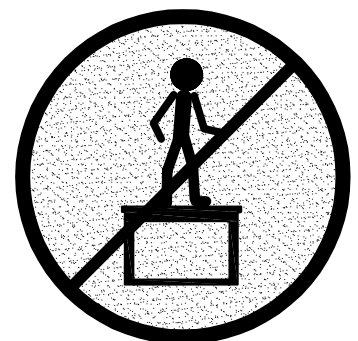
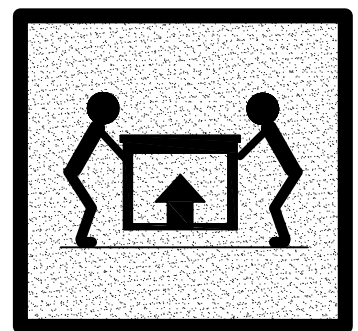
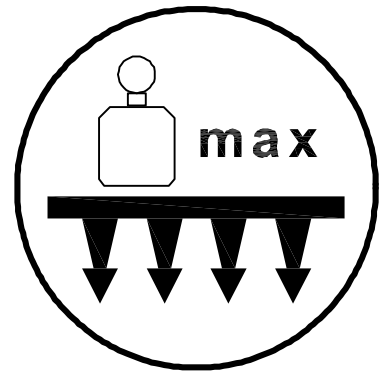
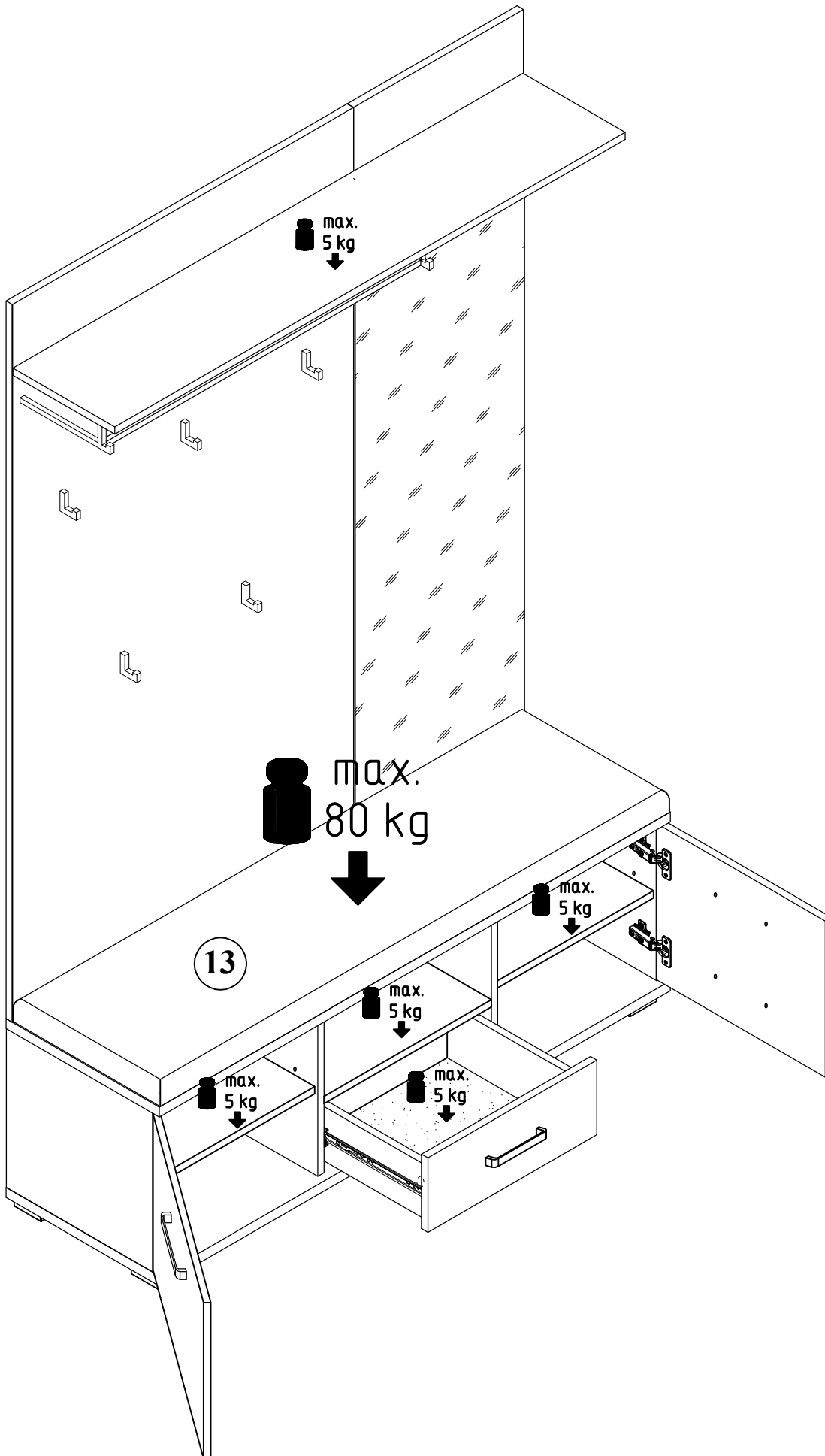
21



22



BRUNA antechamber



BRUNA
antechamber

