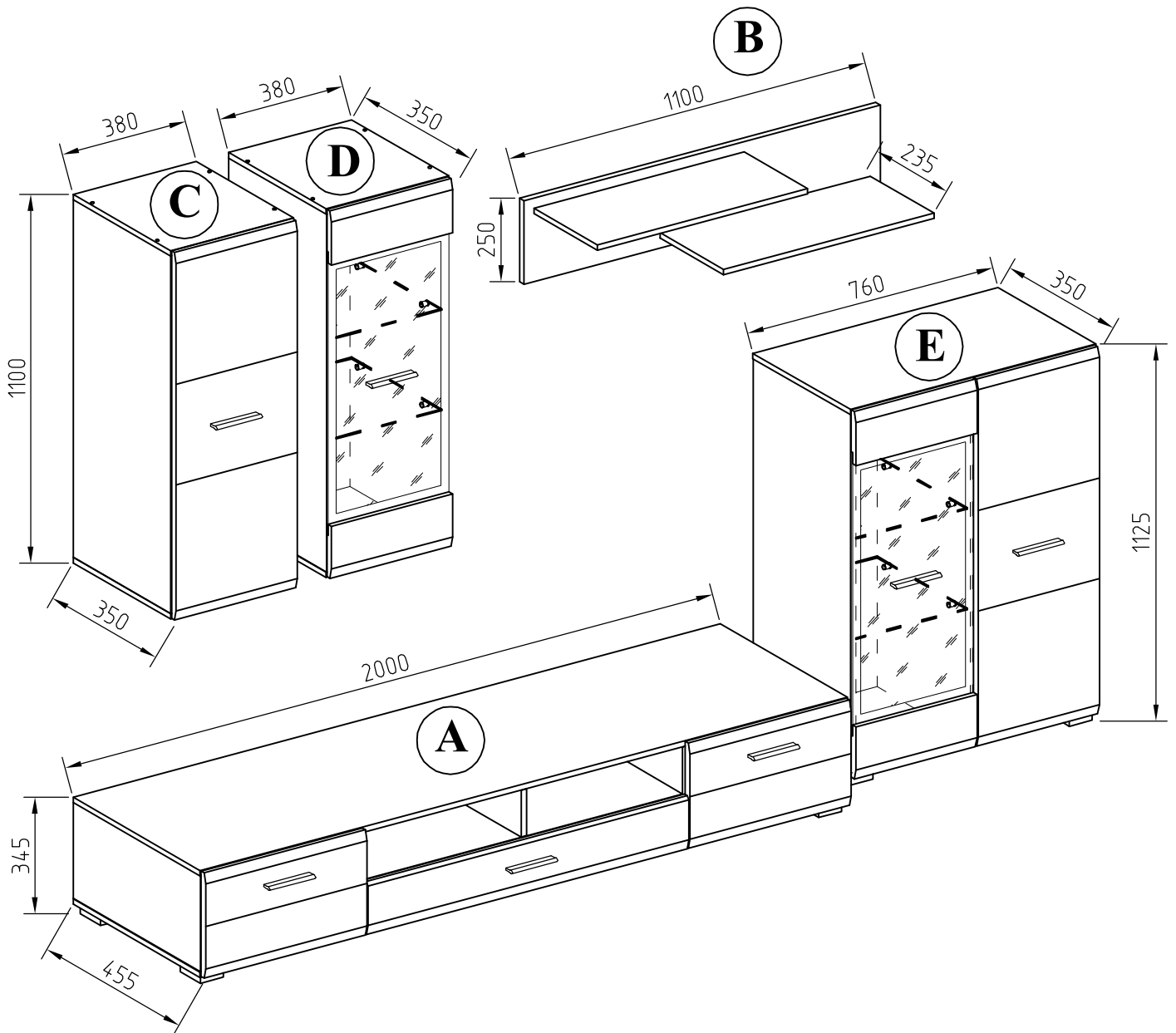
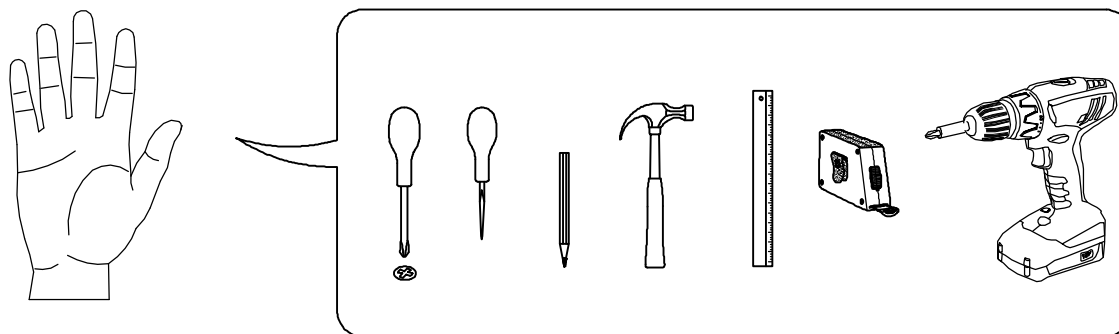


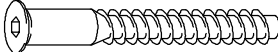
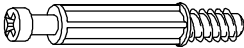
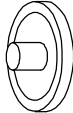


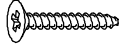






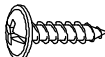

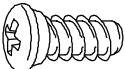

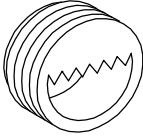
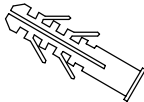
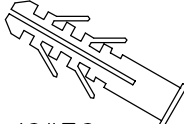
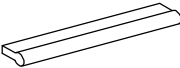

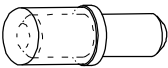
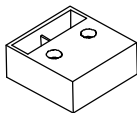
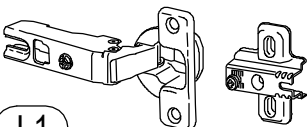
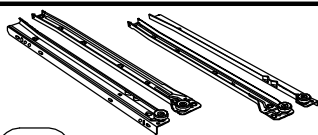

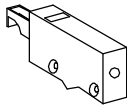
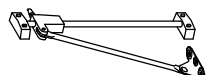

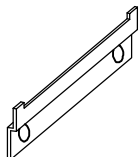
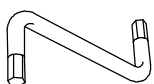
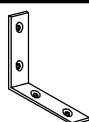




TOKYO





 A1 8*30mm x68	 B x36	 B1 6,3*50mm x36
 C1 5*30mm x28	 D x28	 D1 16mm x28
 E2 3*13mm x2	 E3 3*20mm x21	 E4 3,5*16 x54
 E11 4*30mm x8	 E12 4*35mm x22	 E15 4*60mm x4
 E21 6*60mm x8	 Ea1 3,5*27mm x10	 Ea2 4,2*16mm x24
 F2 6,3*13mm x24	 F3 6,3*13mm x2	 H2 x28
 H4 x2	 H5 8*50mm x4	 H6 10*50mm x8
 I9 x7	 J1 5*16mm x16	 J4 5*16mm x16

 <p>K4 x11</p>	 <p>L1 x12</p>	 <p>M1 L-400mm x1</p>
 <p>M4 L-383mm x1</p>	 <p>N1 x4</p>	 <p>N4 2R+2L x4</p>
 <p>O1 x5</p>	 <p>O4 x4</p>	 <p>R4 N°4 x1</p>
 <p>S7 60x60x15 x1</p>	 <p>U3 x14</p>	 <p>U7 x16</p>

A

No	a*b	x	N°→...
1L	286x438	x1	3/6
1R	286x438	x1	3/6
2L	286x424	x1	3/6
2R	286x424	x1	3/6
3	140x424	x1	1/6
4	2000x438	x1	1/6
5	2000x438	x1	1/6
6	980x424	x1	3/6
7	498x314	x2	2/6
8	992x164	x1	1/6
9L	400x110	x1	3/6
9R	400x110	x1	3/6
10	922x110	x1	1/6
11	931x393	x1	3/6
12	1975x295	x1	1/6

B

No	a*b	x	N ^o →...
1	1100x250	x1	1/6
2	650x219	x2	1/6

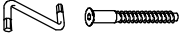
C

No	a*b	x	N ^o →...
1L	1068x336	x1	4/6
1R	1068x336	x1	4/6
2	380x336	x1	4/6
3	380x336	x1	4/6
4	345x312	x2	3/6
5	1096x374	x1	1/6
6	1077x355	x1	1/6

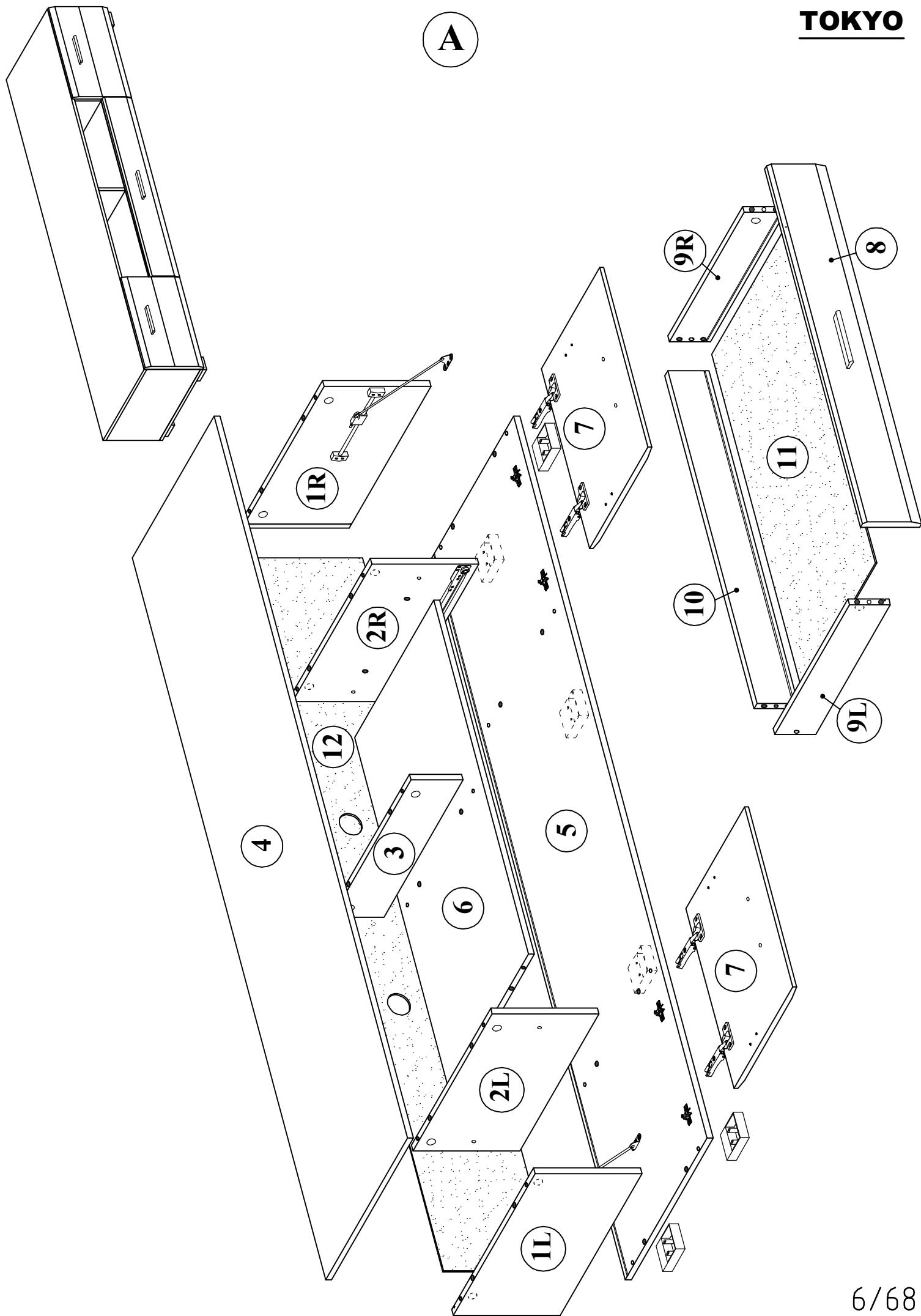
D





No	a*b	x	N ^o →...
1L	1068x336	x1	4/6
1R	1068x336	x1	4/6
2	380x336	x1	4/6
3	380x336	x1	4/6
4	345x312	x2	6/6
5a	158x374	x1	4/6
5b	158x374	x1	4/6
5c	844x375	x1	6/6
6	1077x355	x1	1/6

E

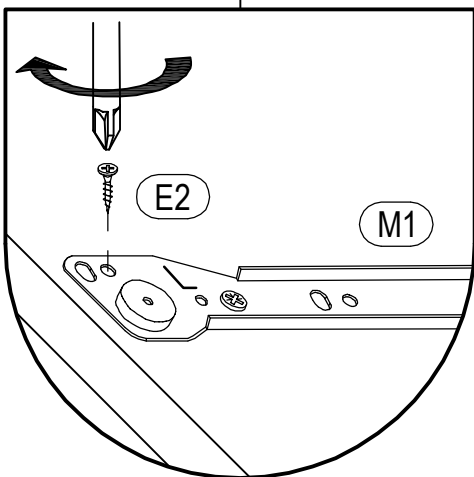
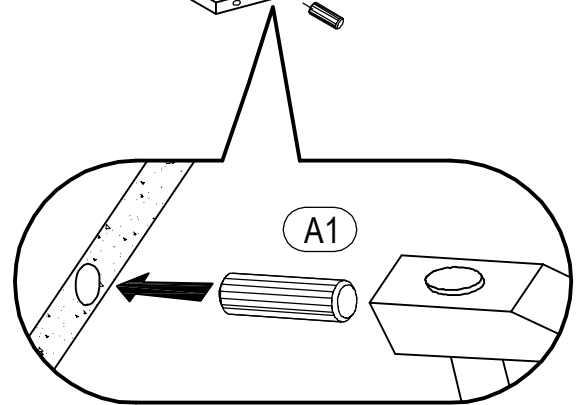
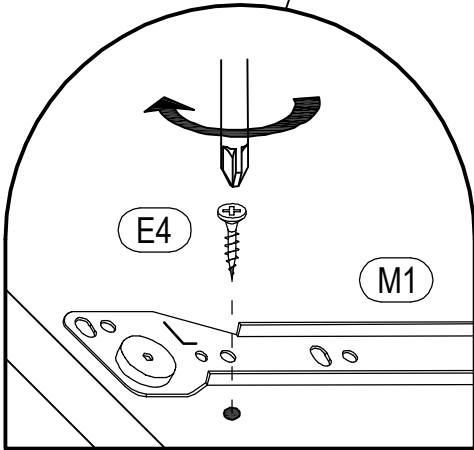
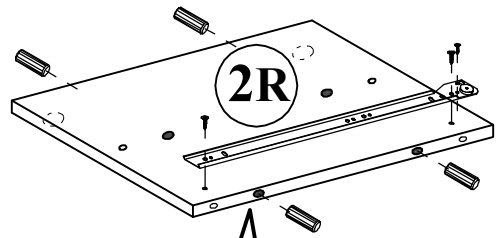
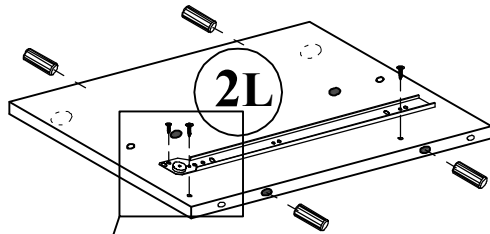
No	a*b	x	N°→...
1L	1068x336	x1	5/6
1R	1068x336	x1	5/6
2	1068x322	x1	5/6
3	758x336	x1	5/6
4	758x336	x1	5/6
5	353x312	x2	5/6
6	352x310	x2	6/6
7	1096x374	x1	5/6
8a	158x374	x1	5/6
8b	158x374	x1	5/6
8c	844x375	x1	6/6
9	1077x366	x1	5/6
10	1077x366	x1	5/6
		x1	2/6


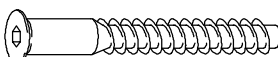
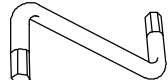
A



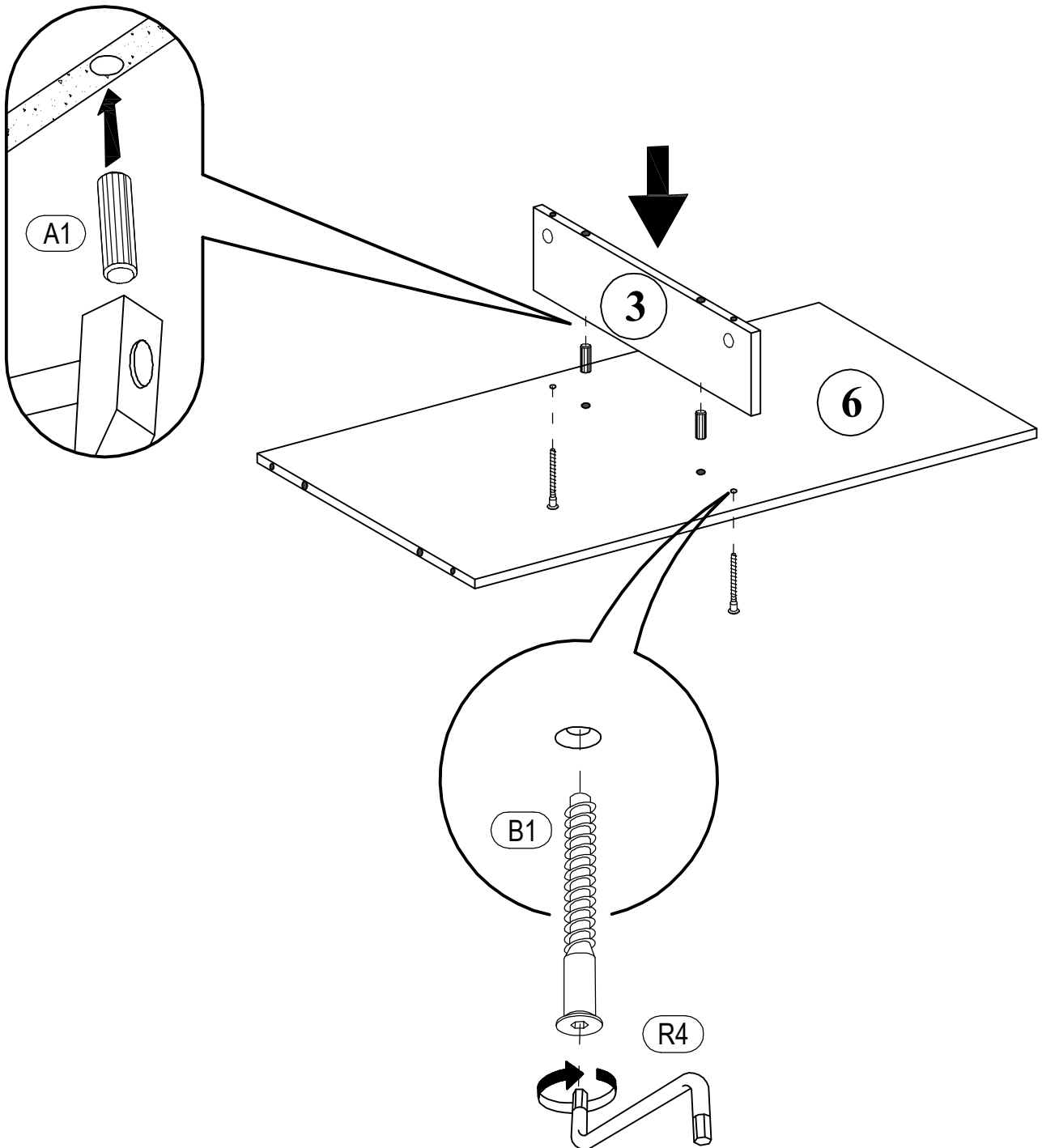
 A1 8*30mm x8	 E2 3*13mm x2	 E4 3,5*16mm x4
		 M1 L- 400mm x1


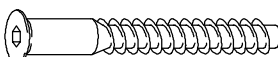
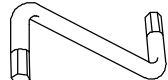
1



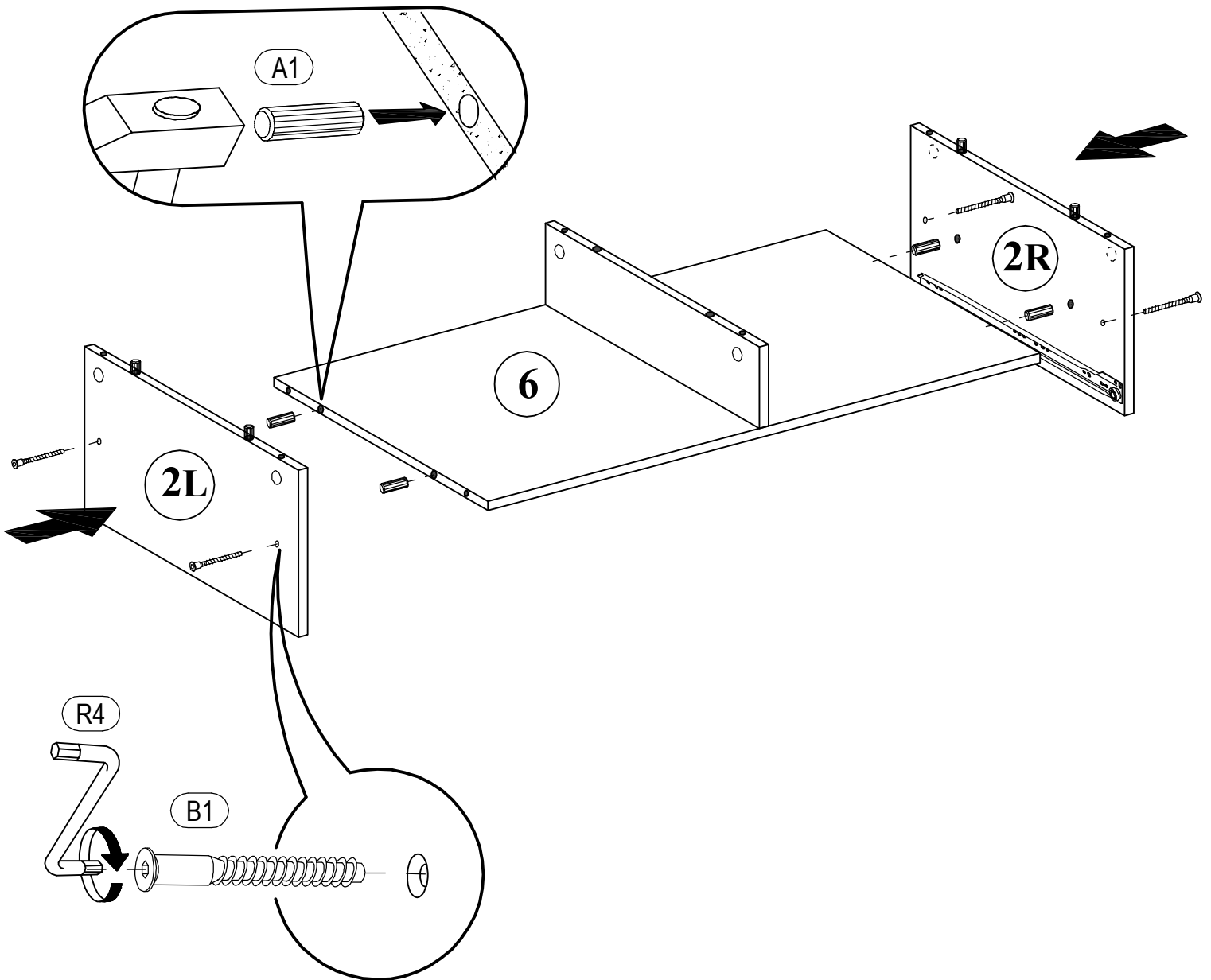
 (A1) 8*30mm x2	 (B1) 6,3*50mm x2	 (R4) N°4 x1
--	--	---

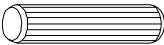
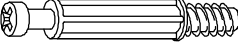

2



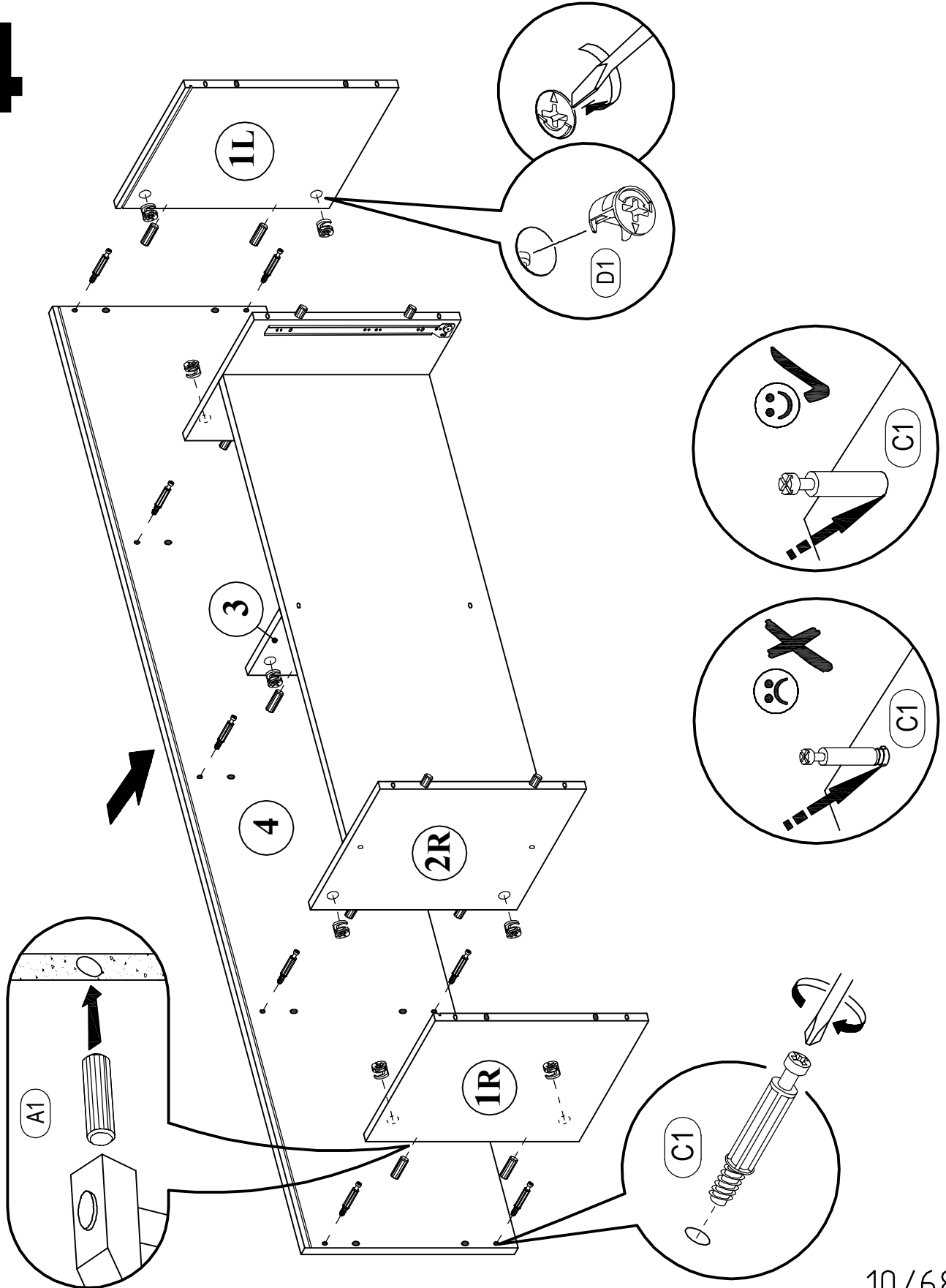
 <p>(A1) 8*30mm x4</p>	 <p>(B1) 6,3*50mm x4</p>	 <p>(R4) N°4 x1</p>
---	---	--


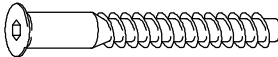
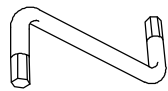
3



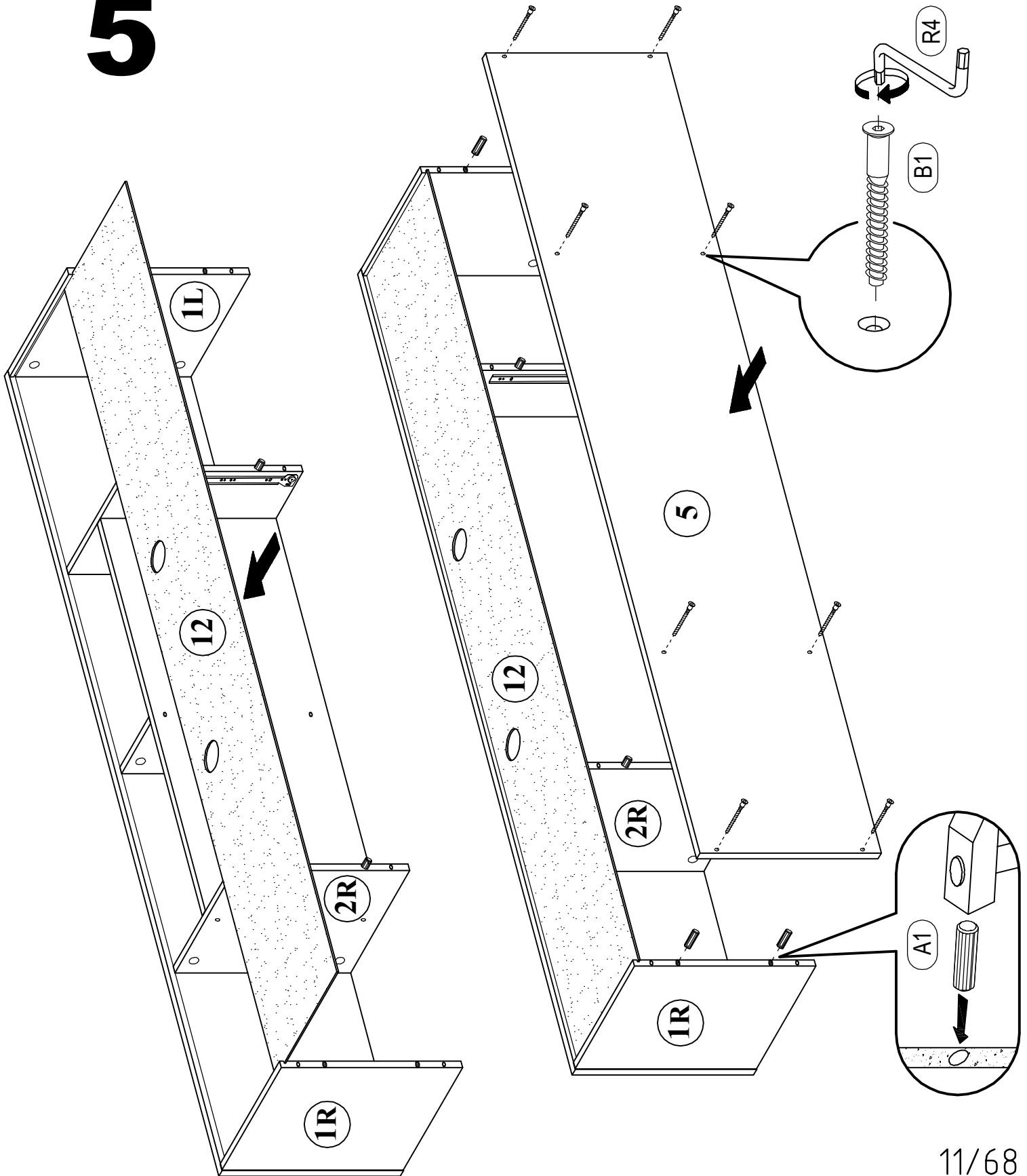
 <p>A1 8*30mm x6</p>	 <p>C1 5*30mm x10</p>	 <p>D1 16mm x10</p>
---	--	--

4



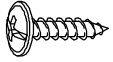
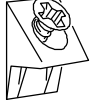
 A1 8*30mm x4	 B1 6,3*50mm x8	 R4 N°4 x1
---	---	--

5

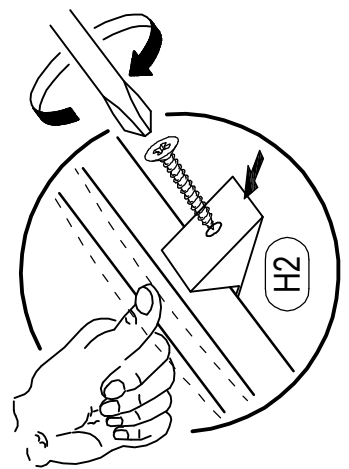
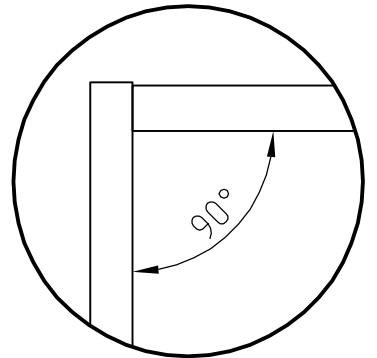
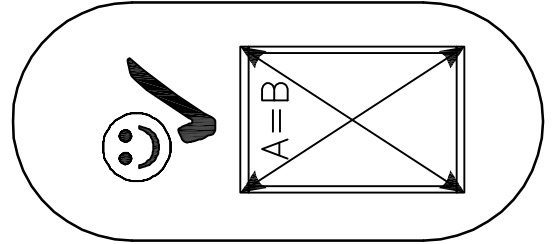
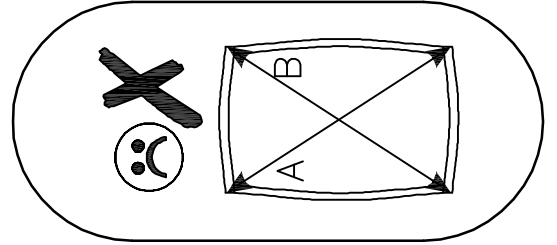
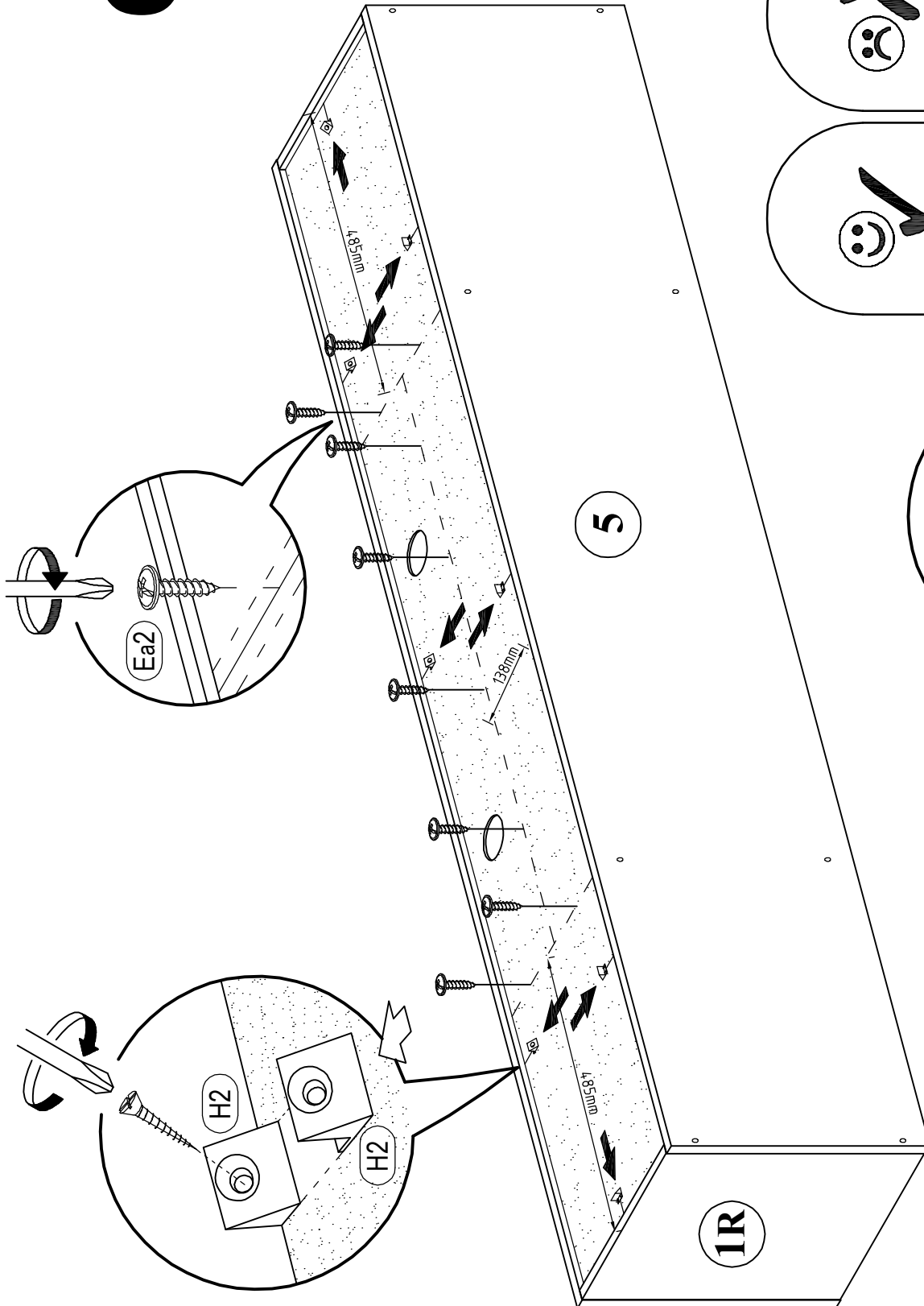


A

TOKYO


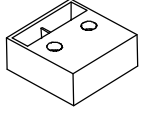
 (Ea2) 4,2*16mm x8	 (H2) x8
--	--

6

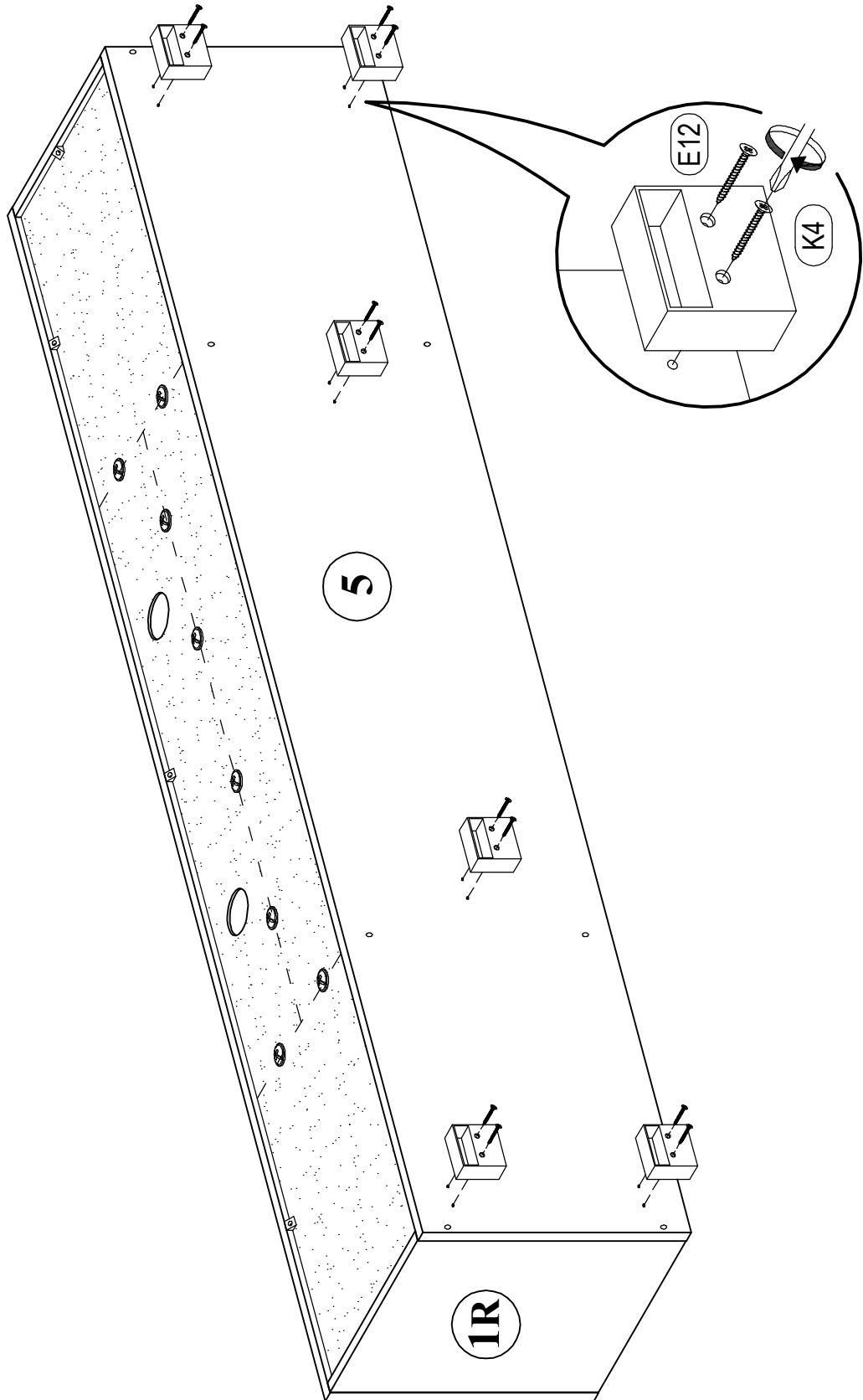




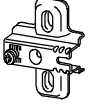

A

TOKYO

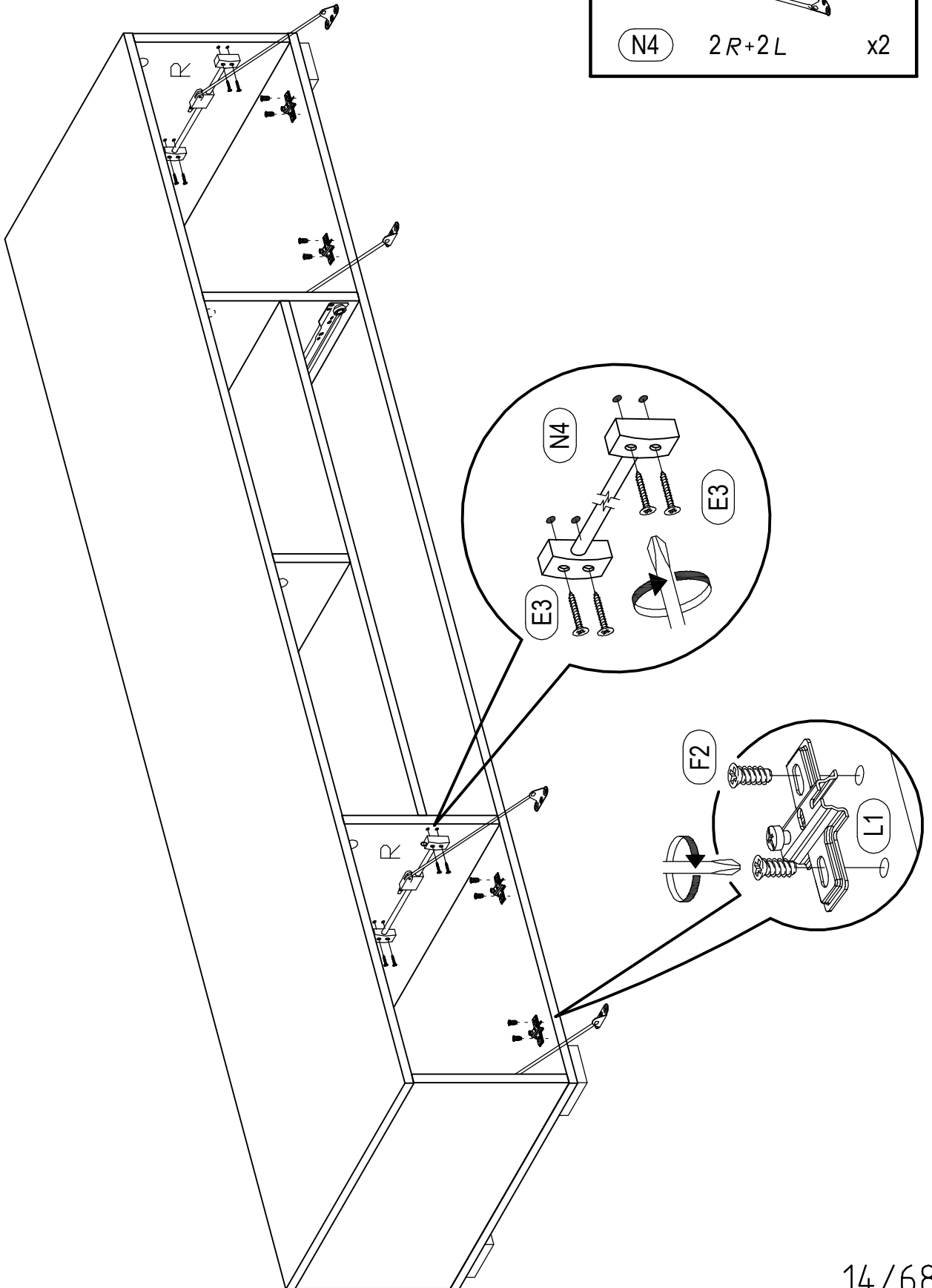
 <p>(E12) 4*35mm x12</p>	 <p>(K4) x6</p>
---	--


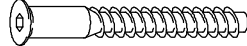
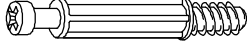
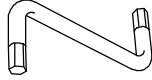
7



 E3 3*20mm x16	 F2 6,3*13mm x8	 L1 x4
		 N4 2R+2L x2

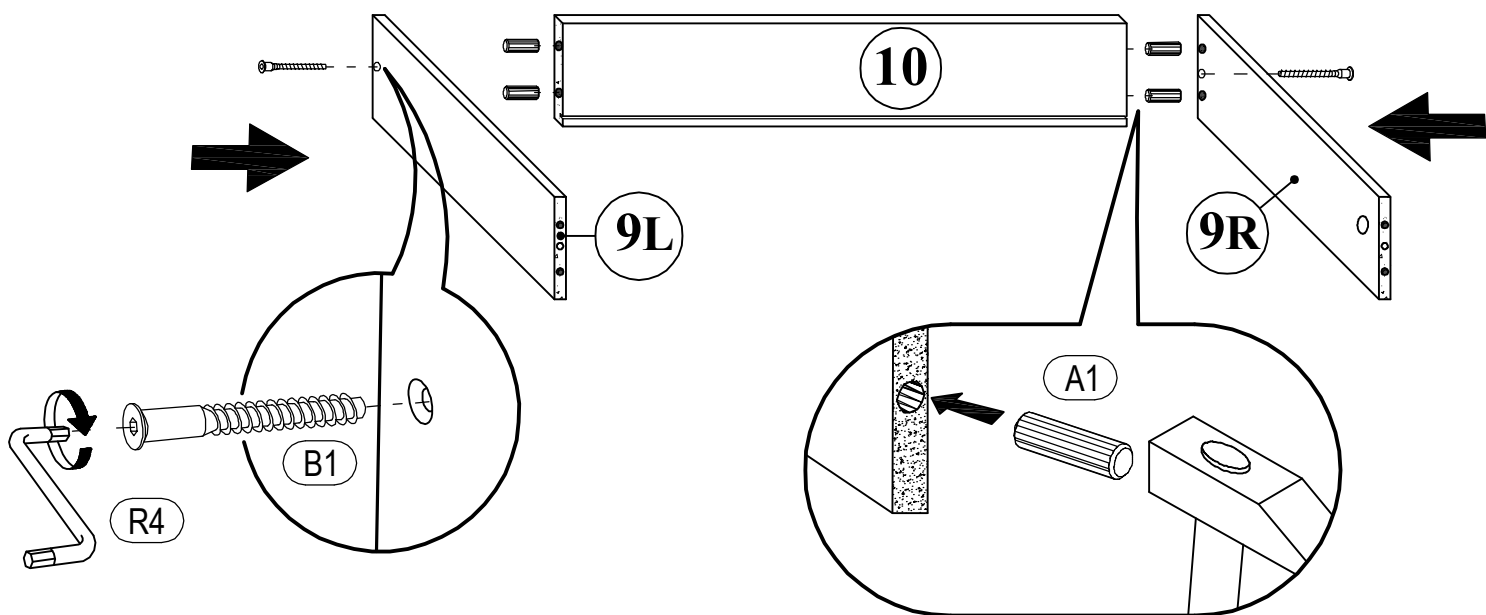
8



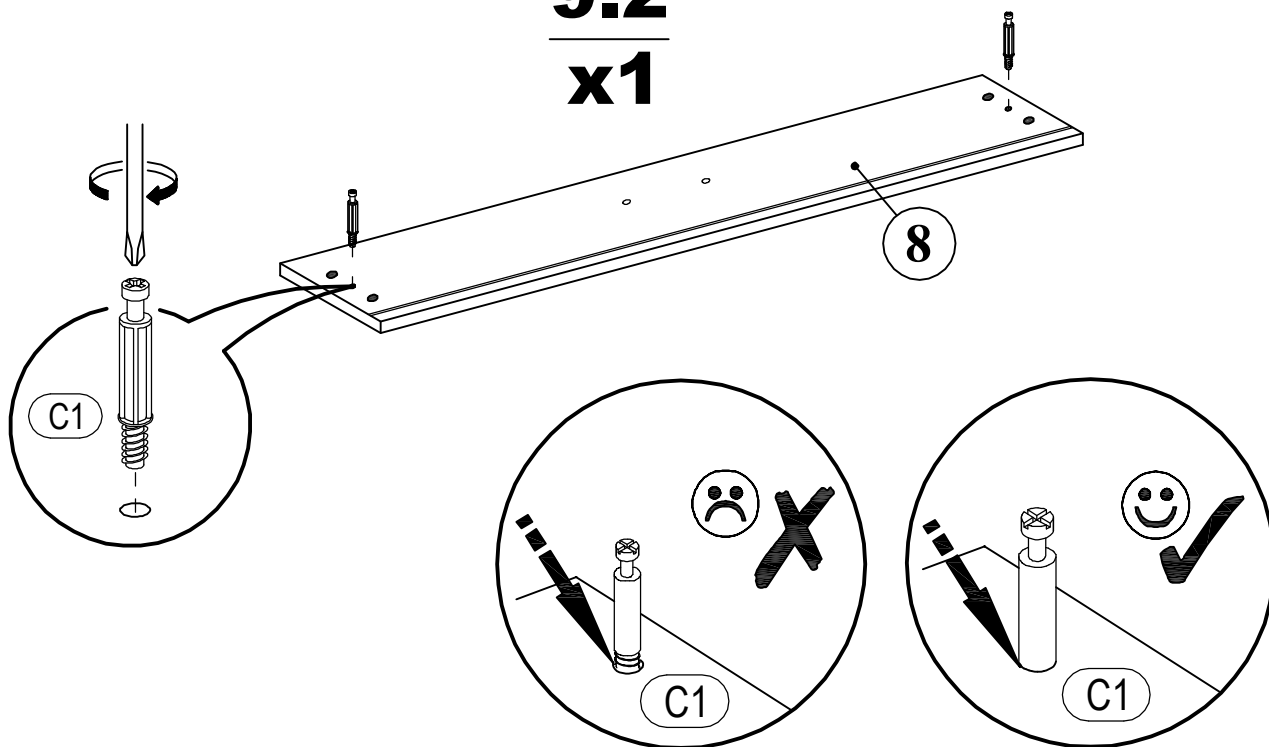
 A1 8*30mm x4	 B1 6,3*50mm x2	 C1 5*30mm x2
		 R4 N°4 x1

9

9.1 x1


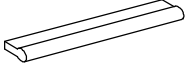


9.2 x1



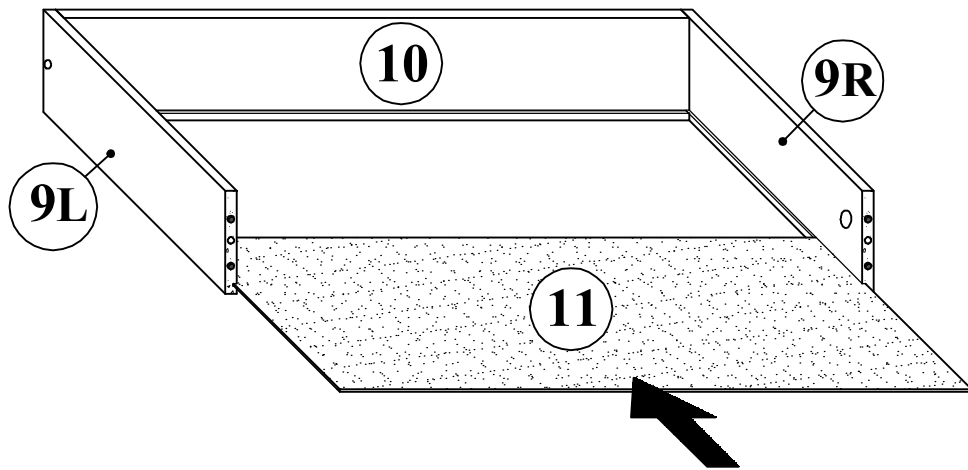
A

TOKYO

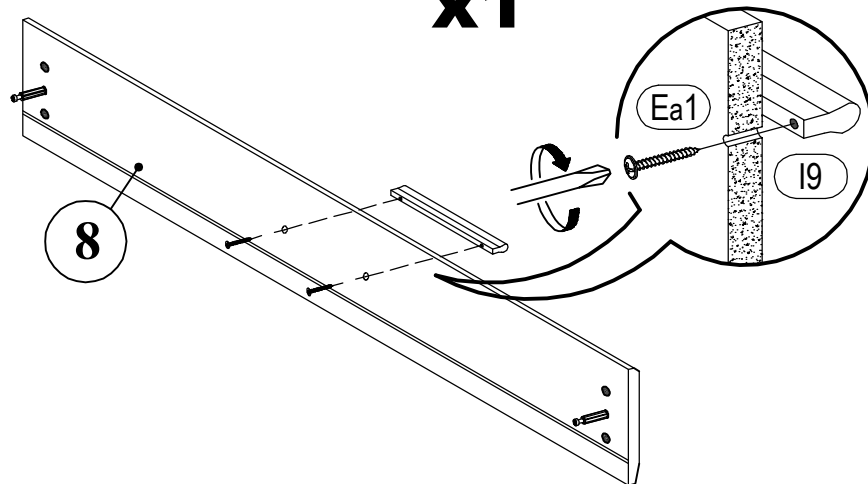
 (Ea1) 3,5*27mm x2	 (I9) x1
--	--

9



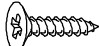
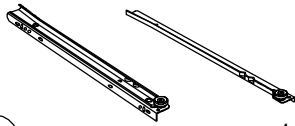
9.3
x1



9.4
x1

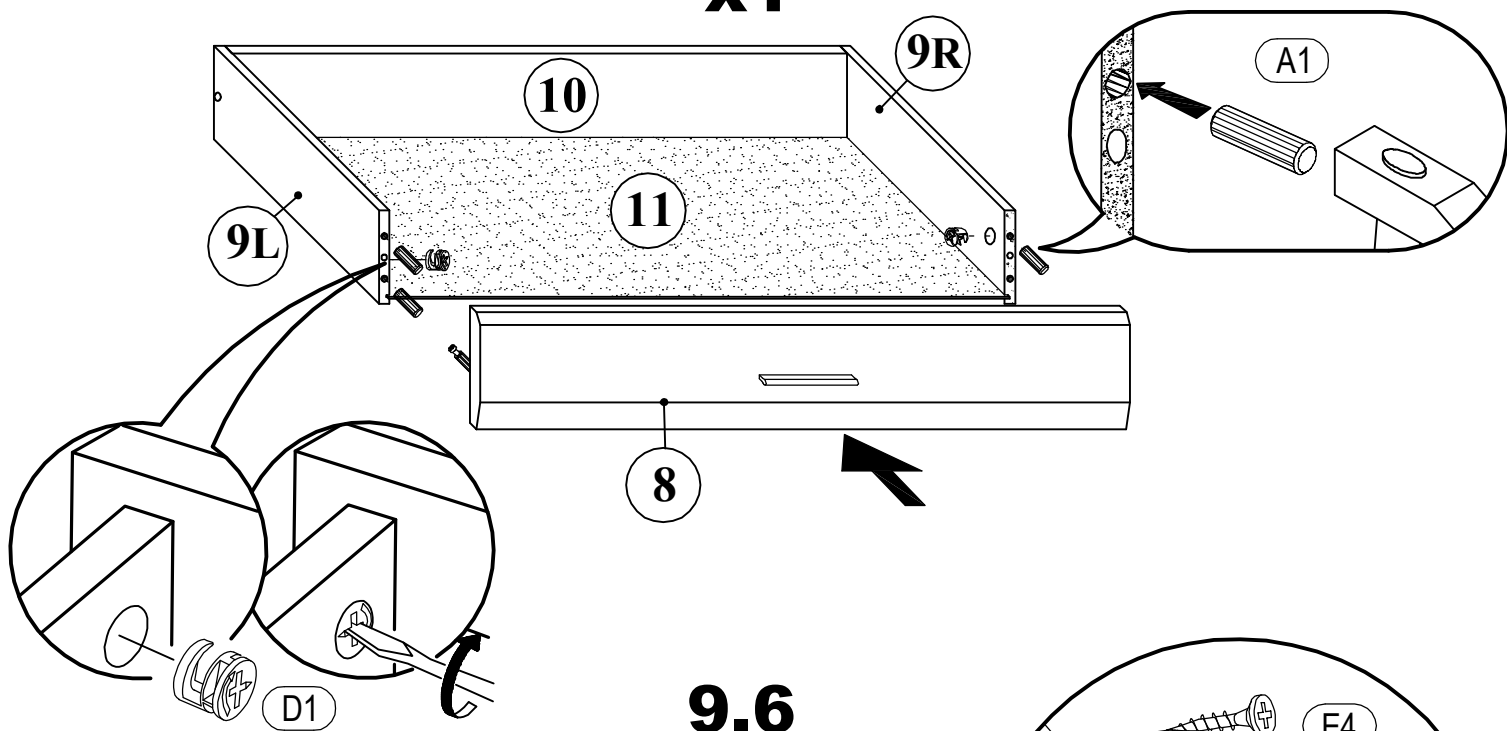


A

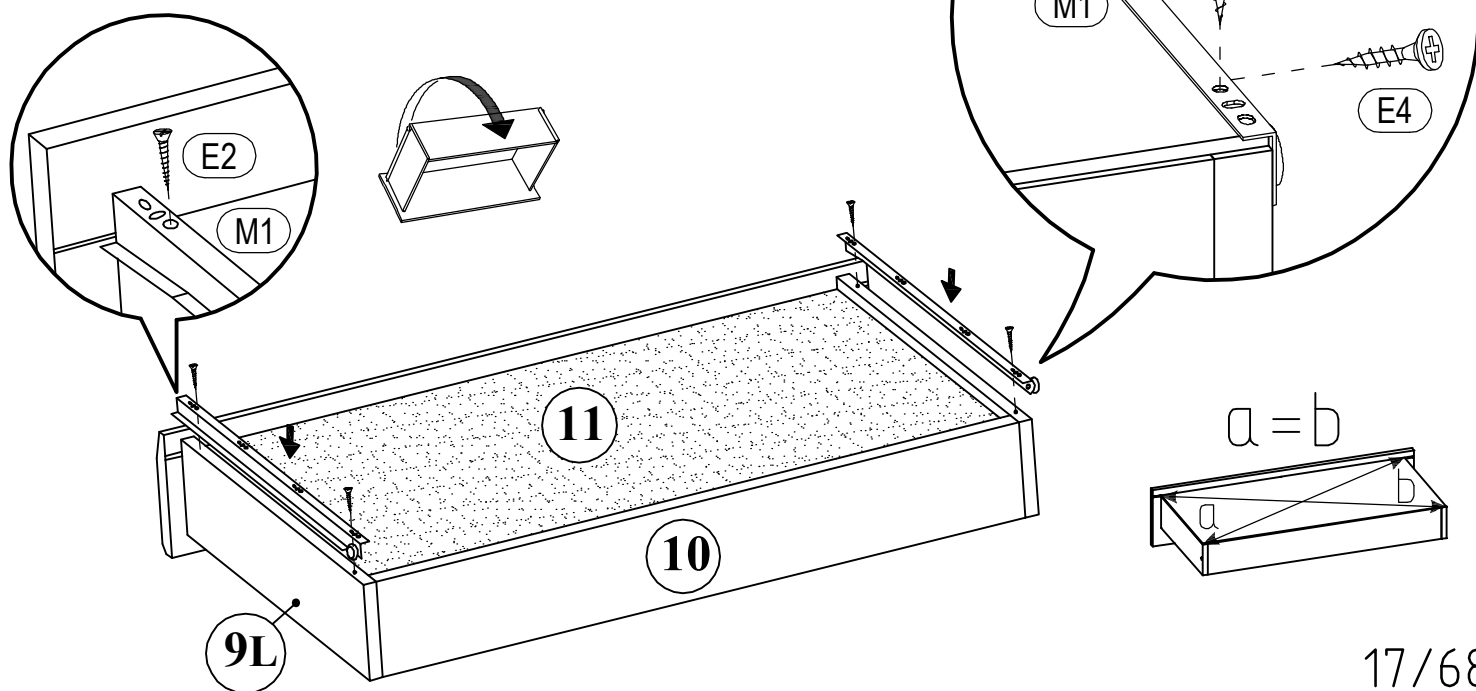
 A1 8*30mm x4	 D1 16mm x2	 E4 3,5*16 x8
 M1 L- 400mm x1		

9

9.5
x1



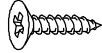

9.6
x1



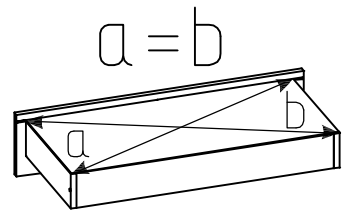
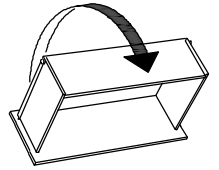
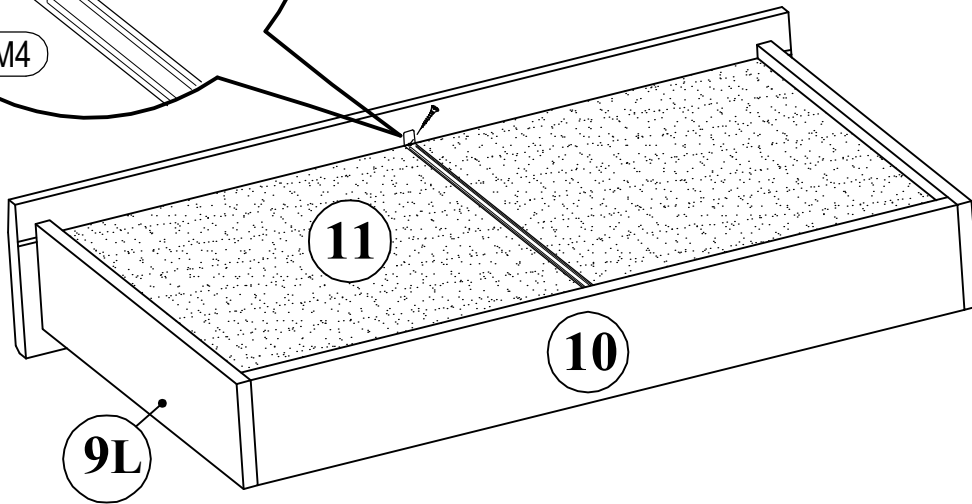
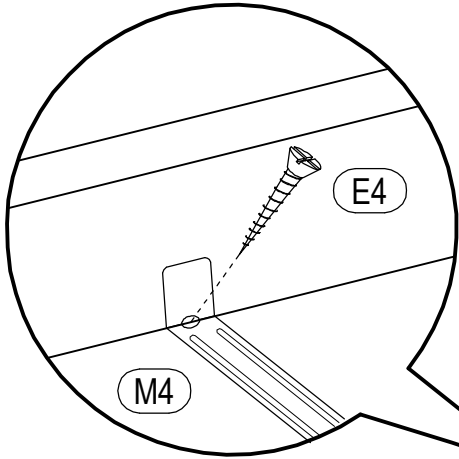
(A)

TOKYO


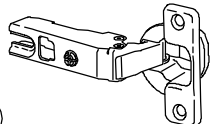
9

 (E4) 3,5*16 x2	 (M4) L-383mm x1
---	--

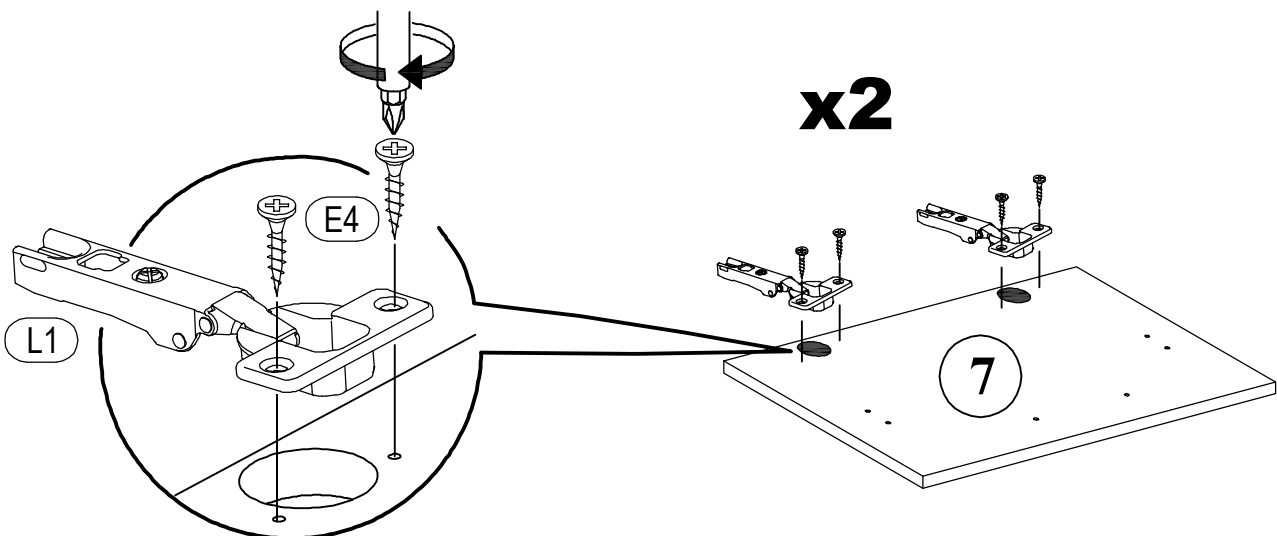
9.7
x1



10

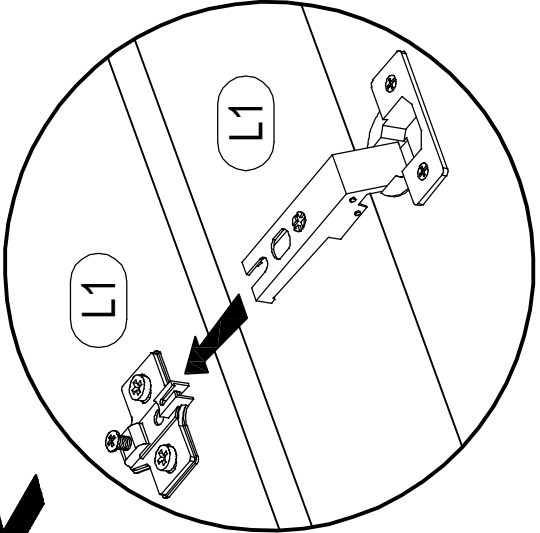
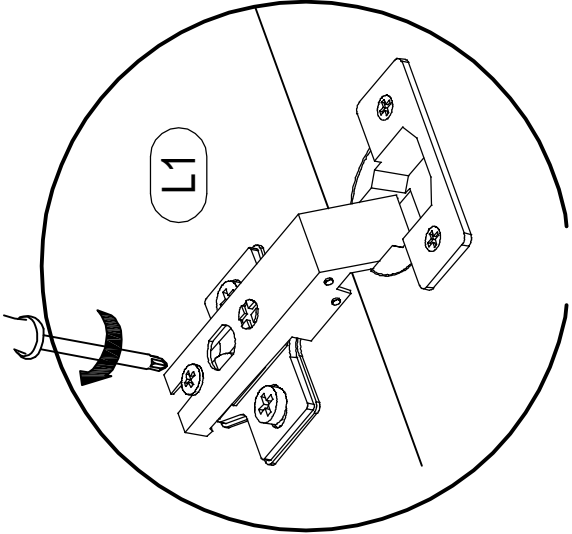
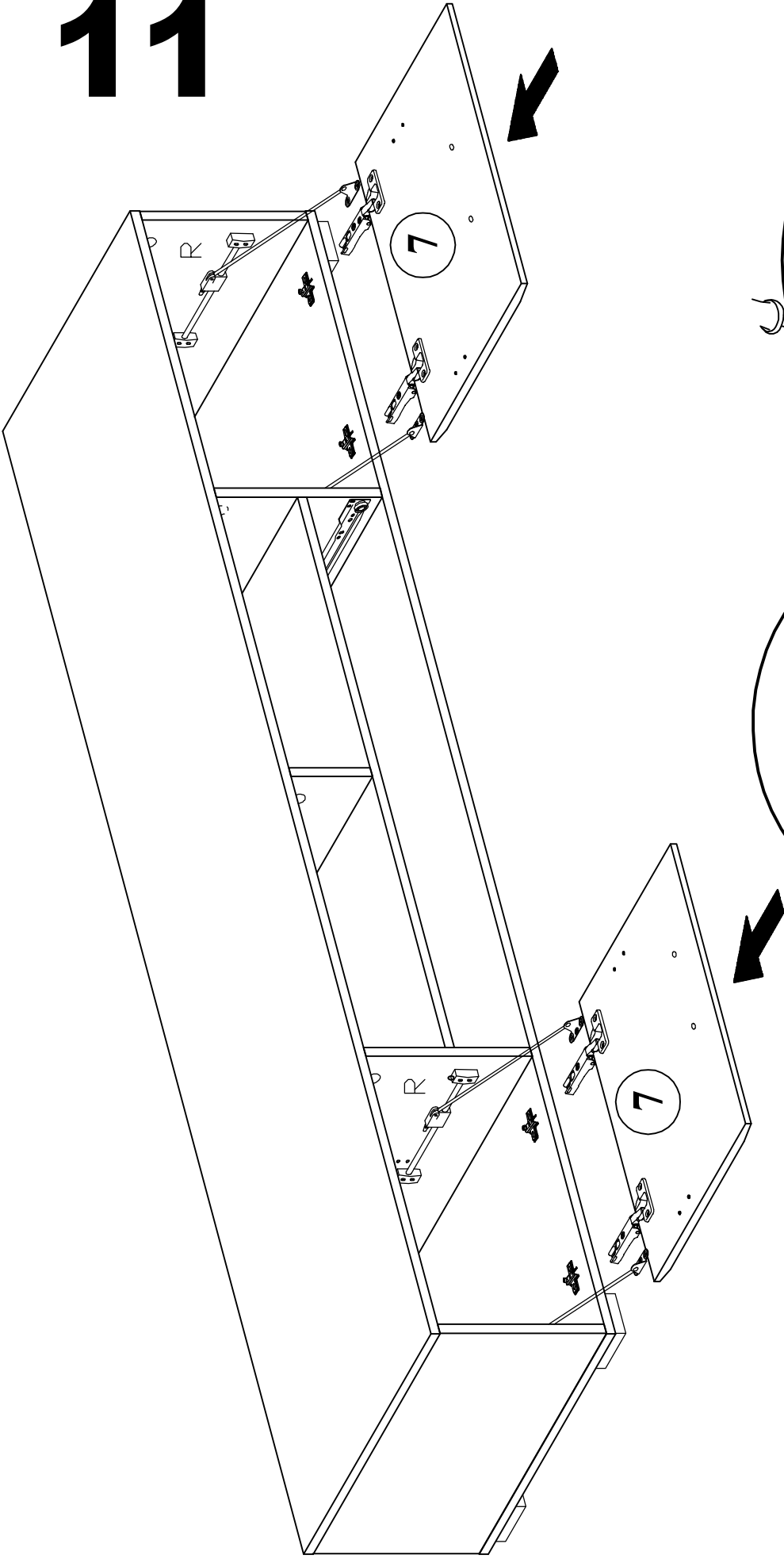
 (E4) 3,5*16 x8	 (L1) x4
---	--

x2



A

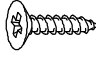

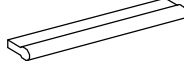
11

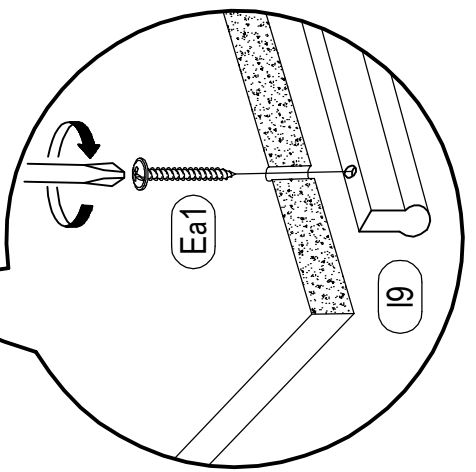
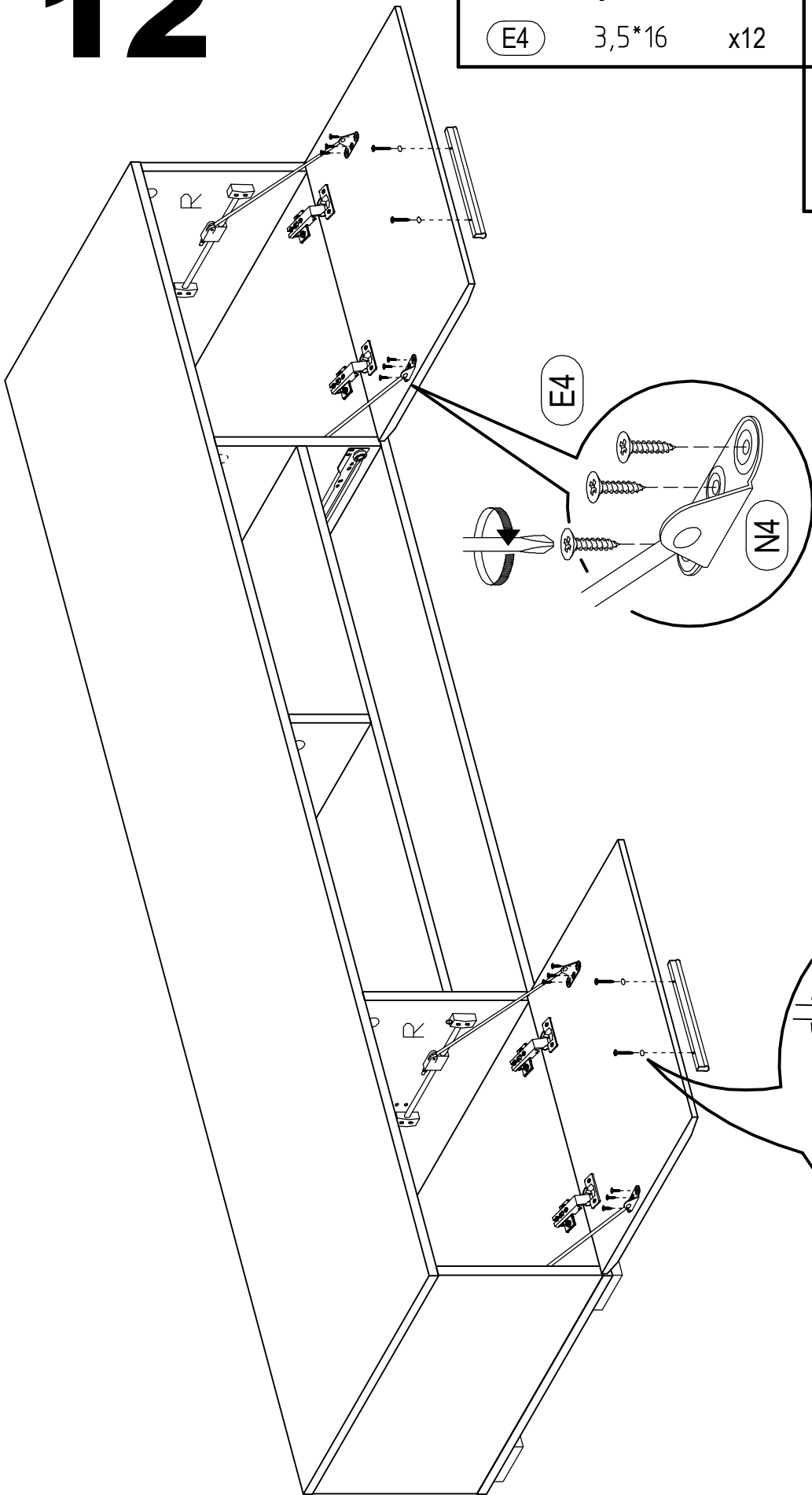


A

TOKYO


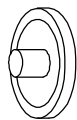

12

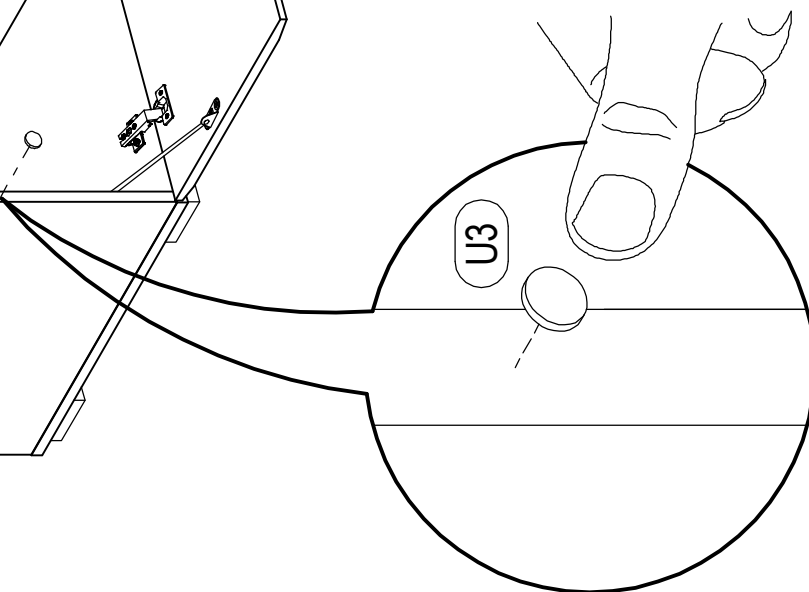
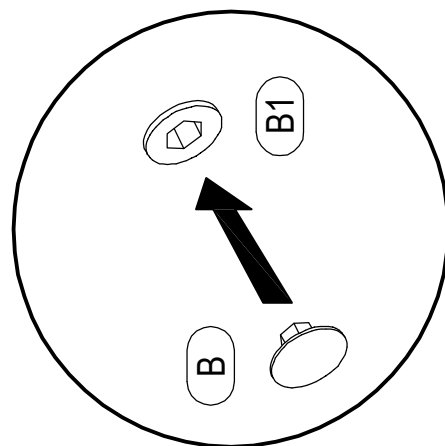
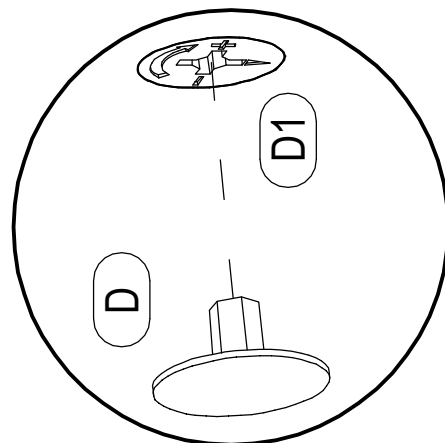
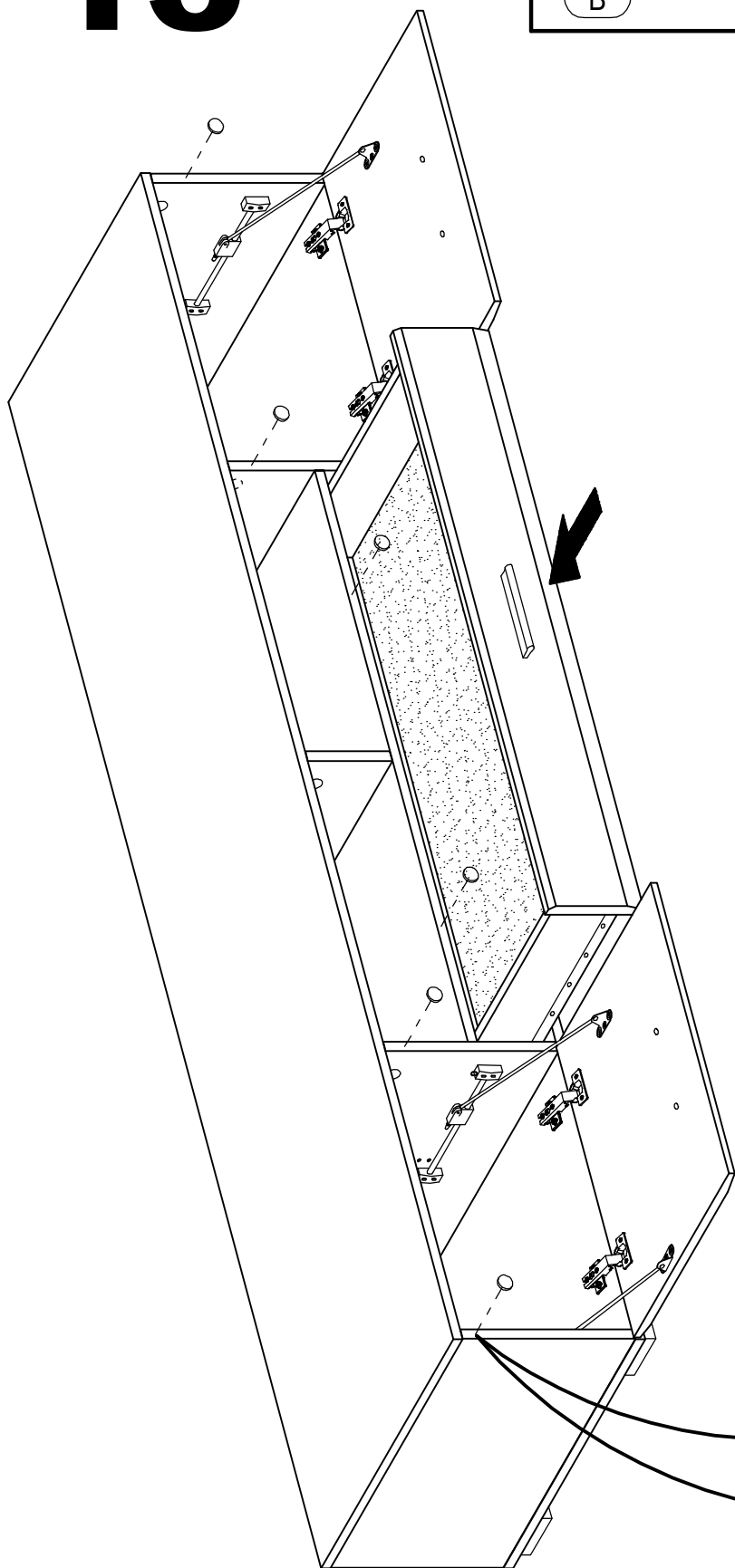
 E4 3,5*16 x12	 Ea1 3,5*27mm x4
	 I9 x2



A

13

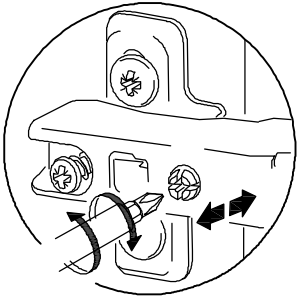
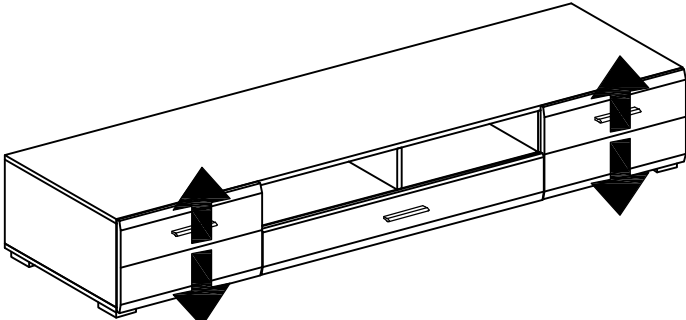
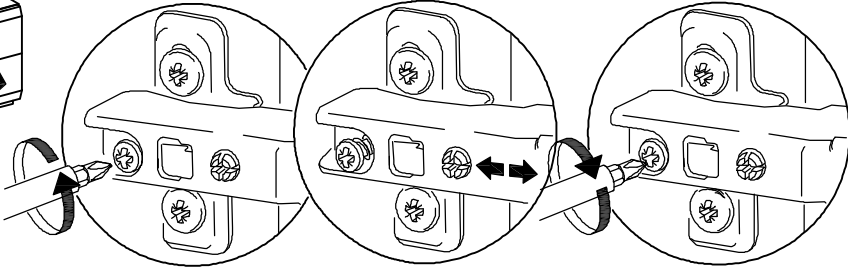
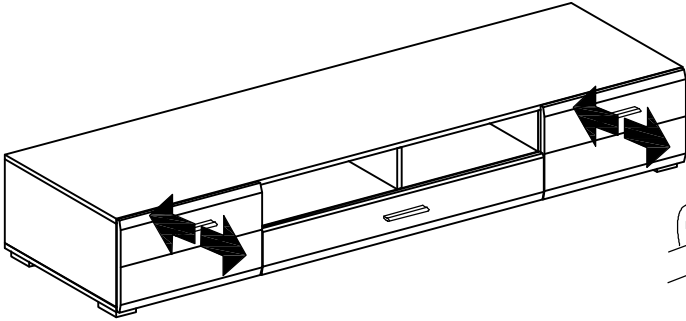
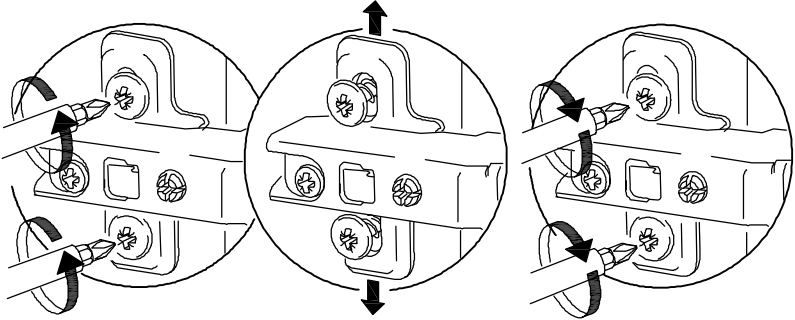
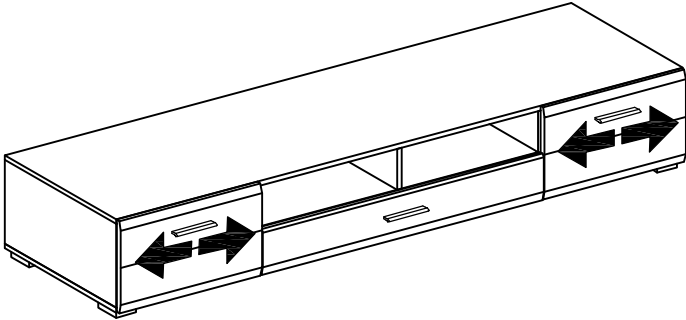
<p>B</p>  <p>x16</p>	<p>D</p>  <p>x12</p>
<p>U3</p>  <p>x6</p>	

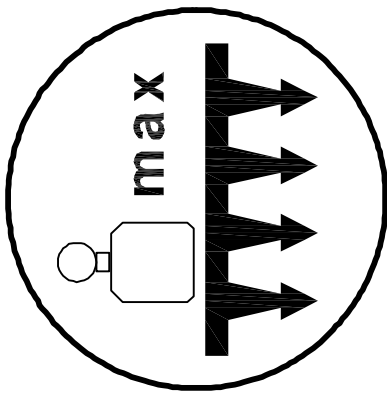


A

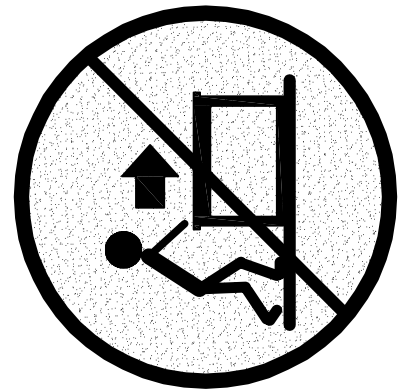
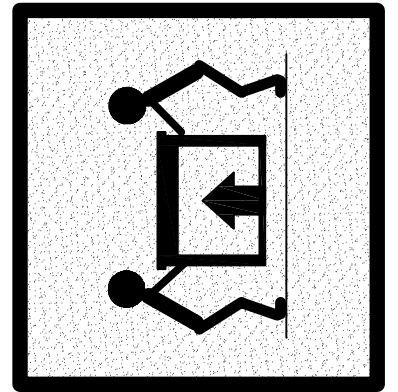
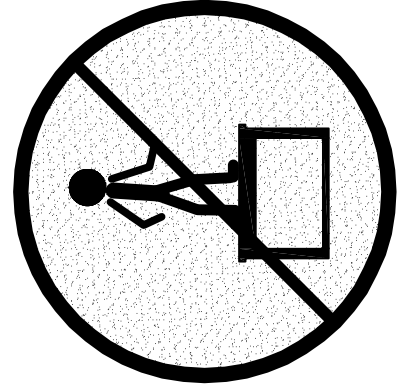
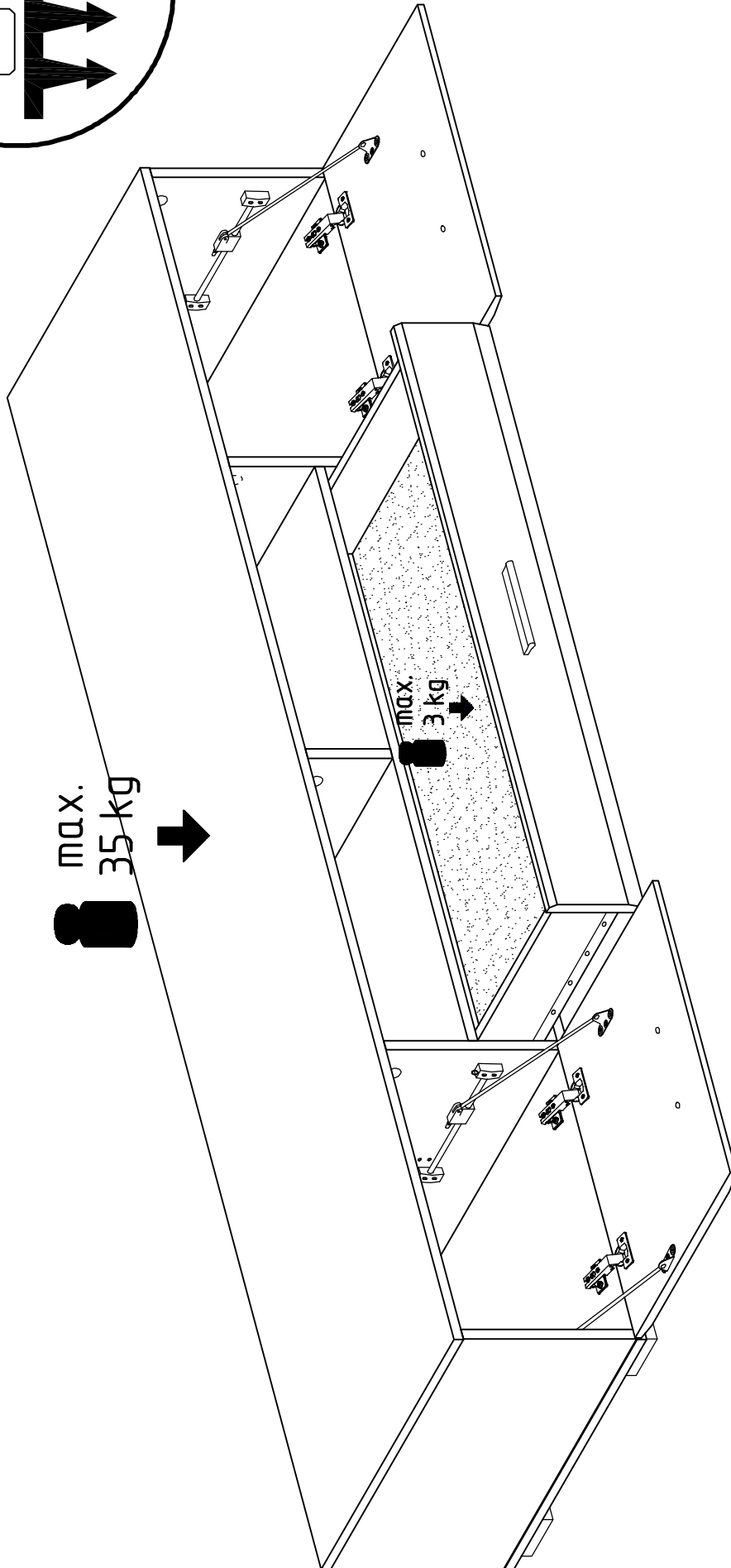
TOKYO

14



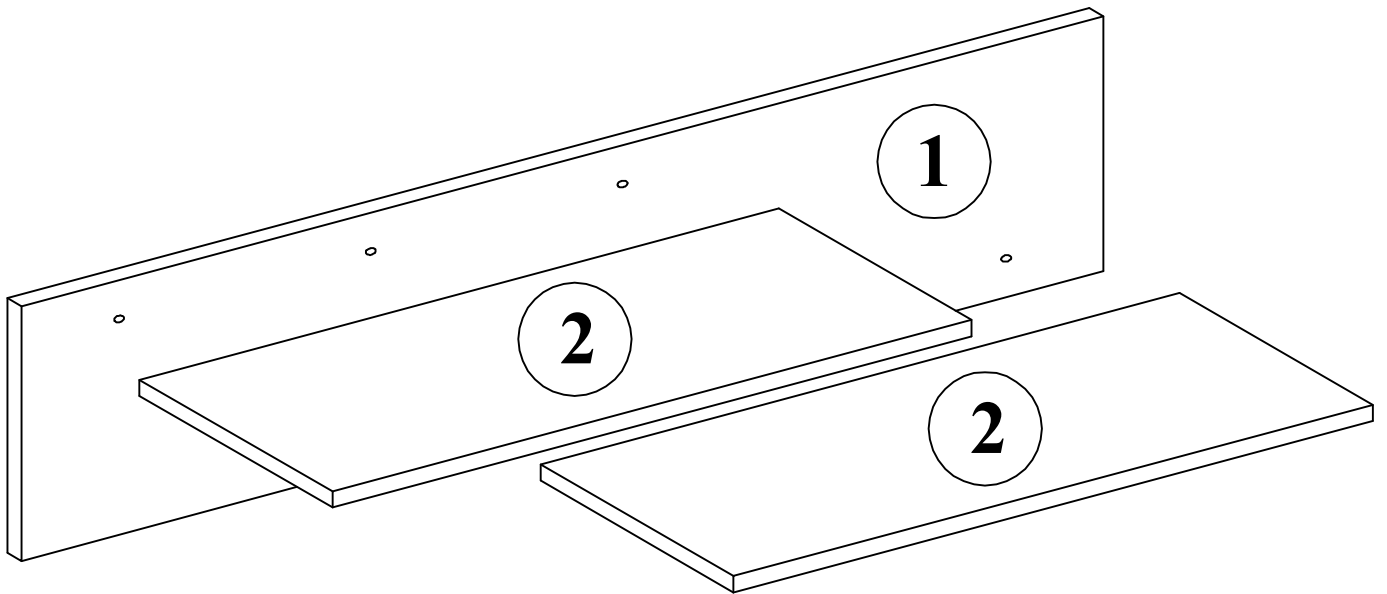
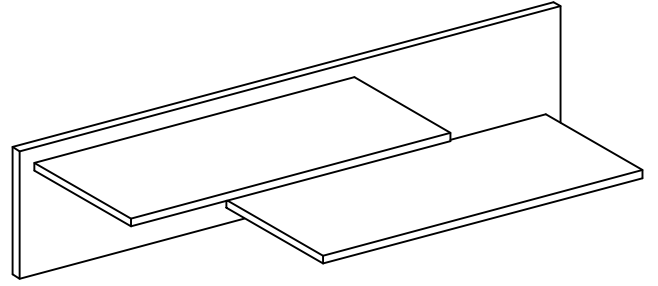


A



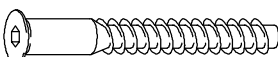
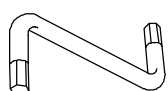
B

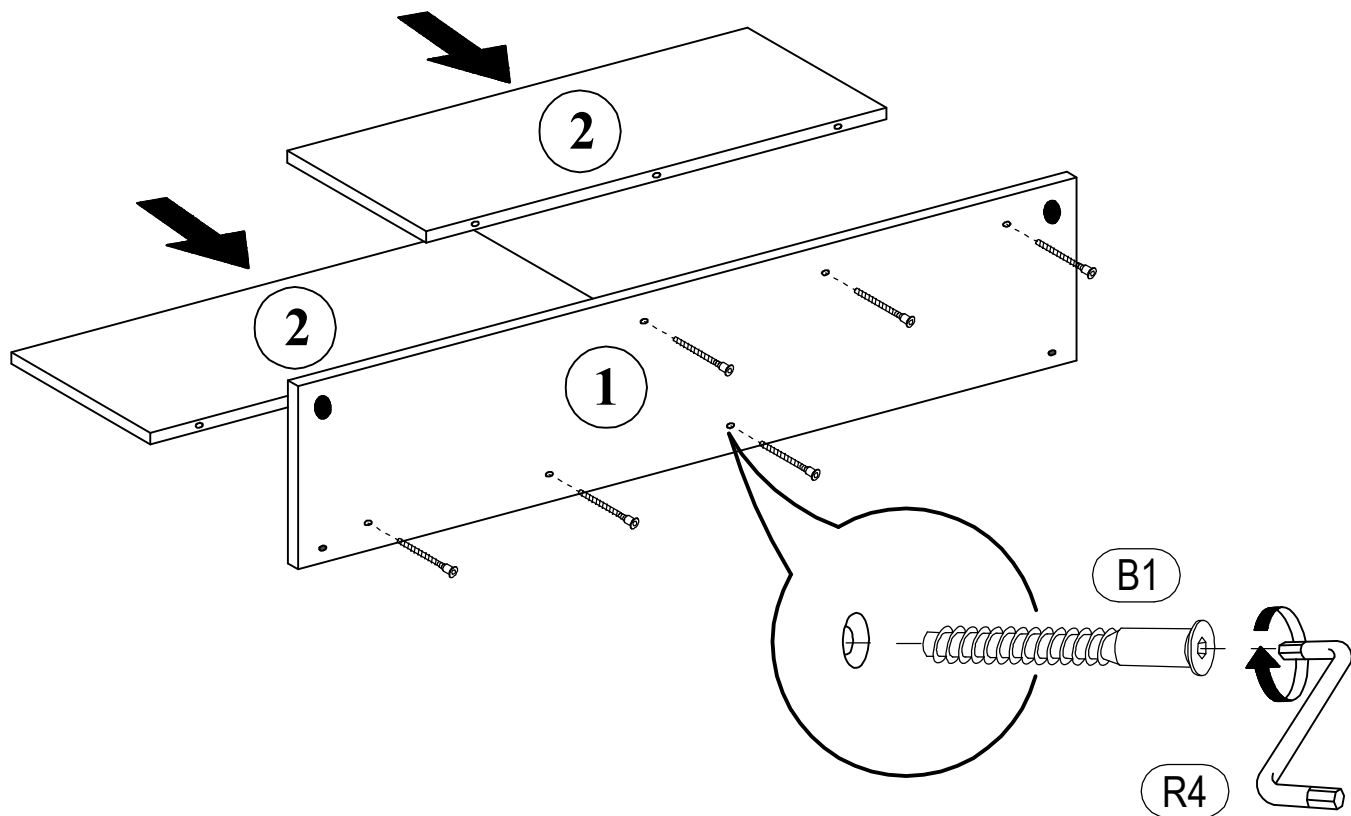
TOKYO



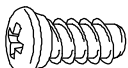
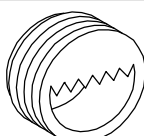
B

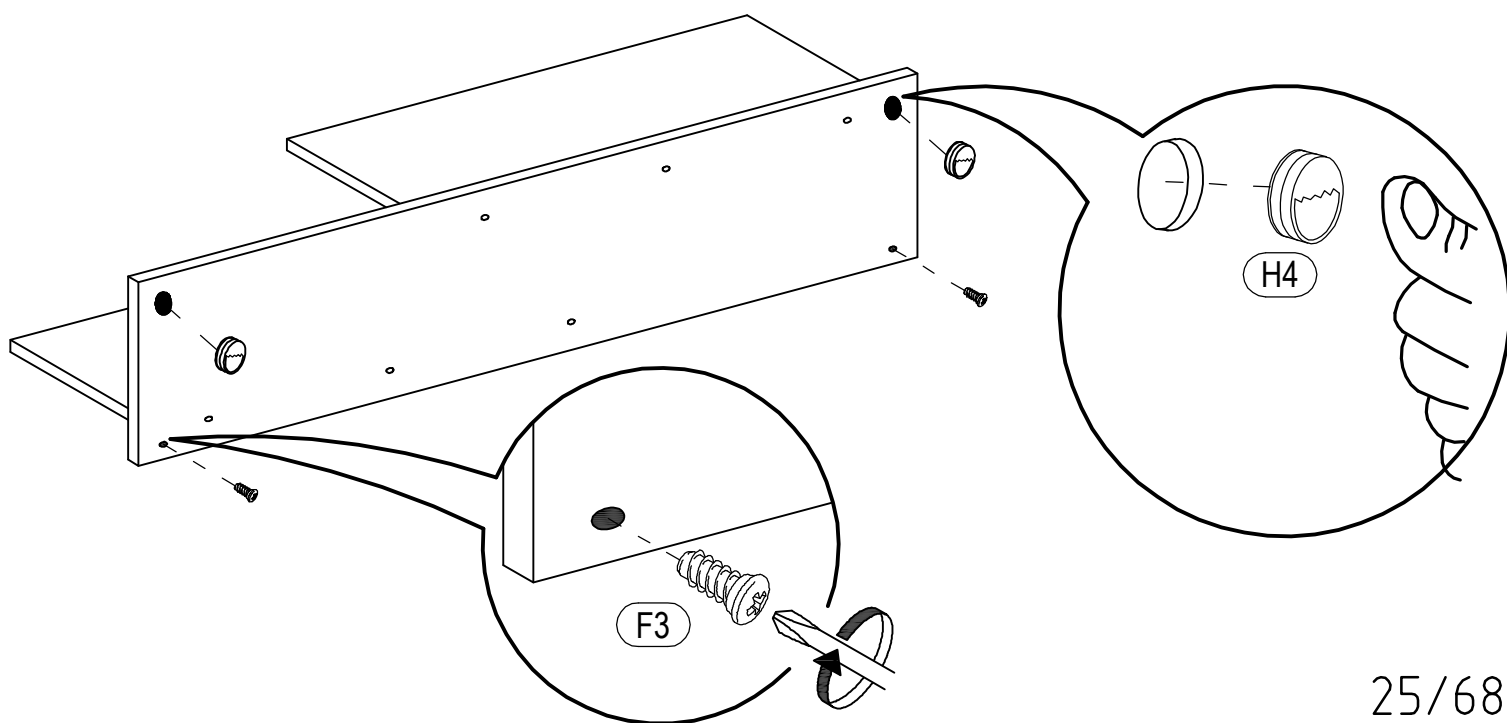
15

 B1 6,3*50mm x6	 R4 N°4 x1
--	---

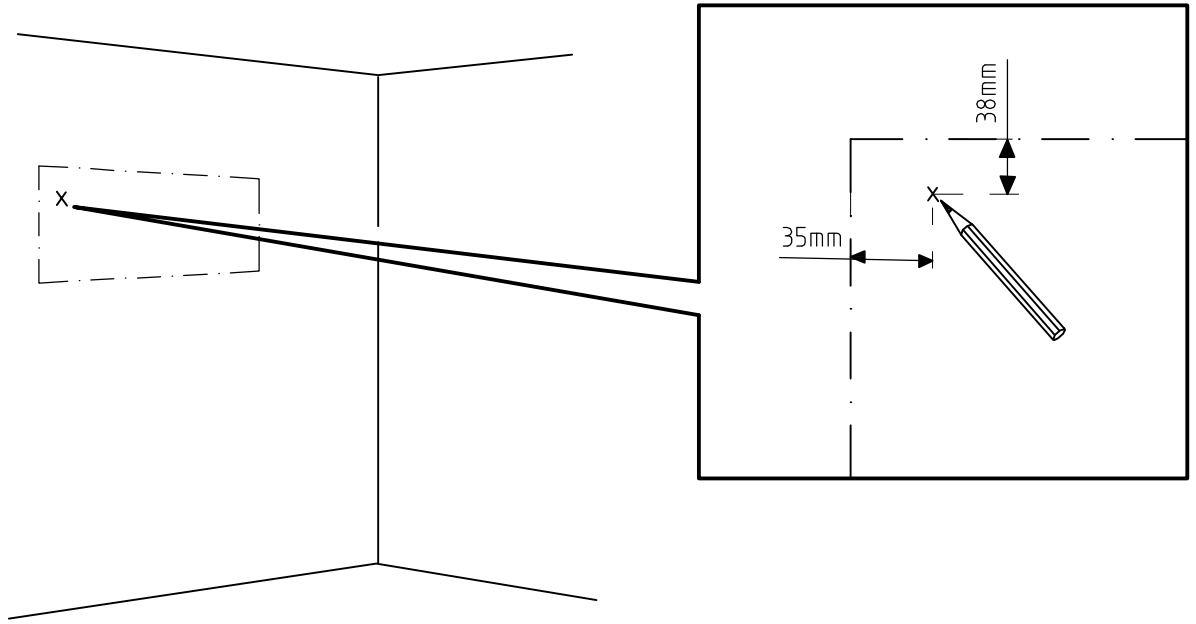


16

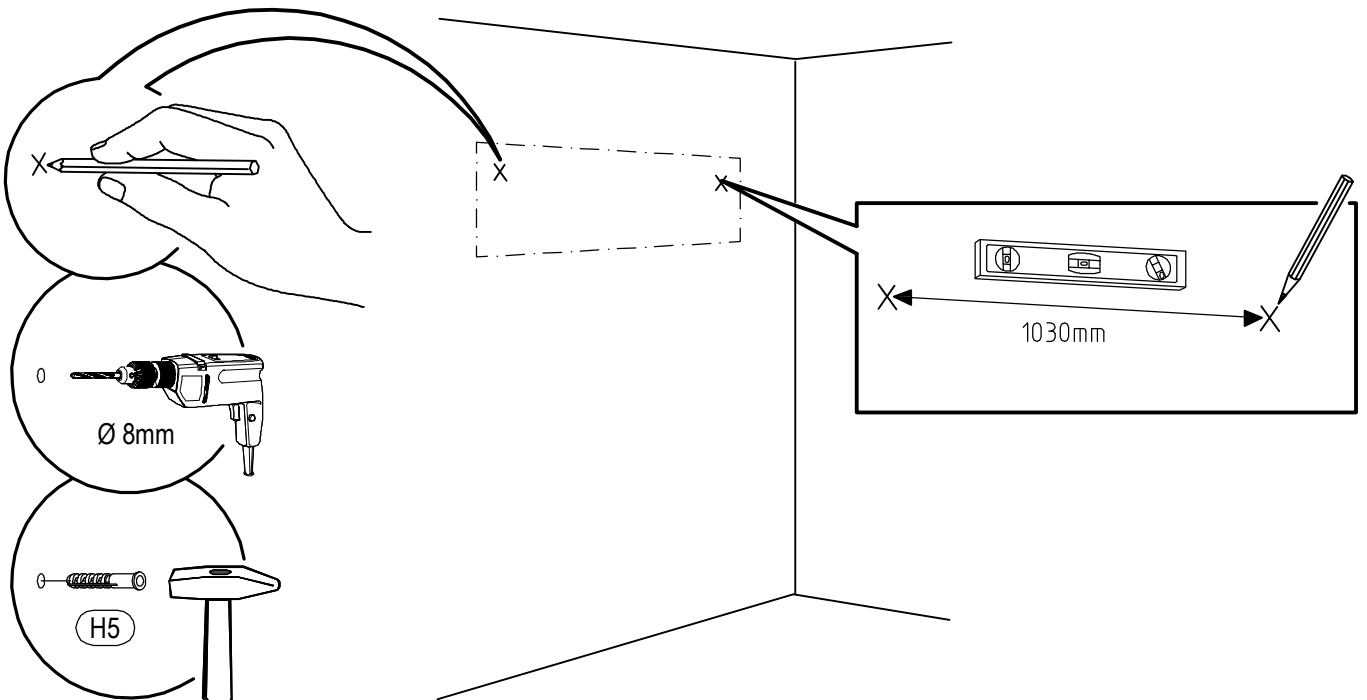
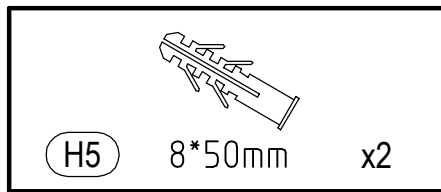
 F3 6,3*13mm x2	 H4 x2
--	---



17



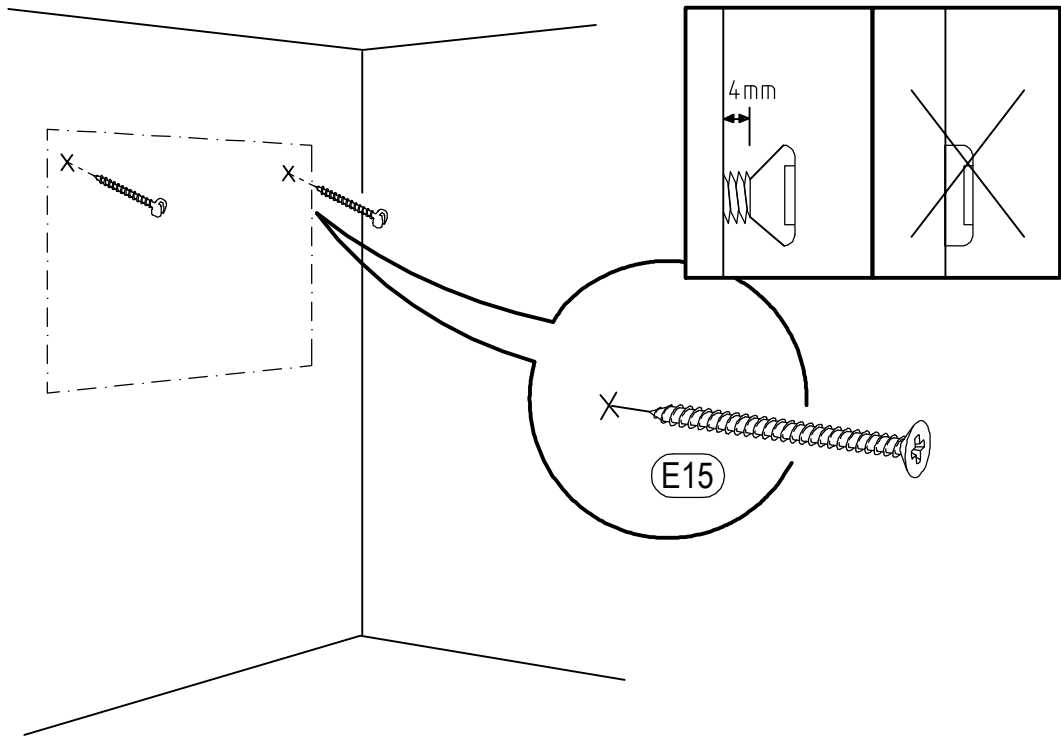
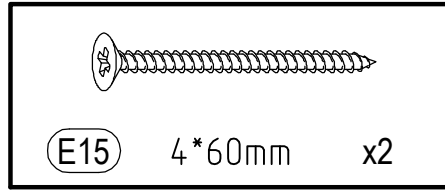
18



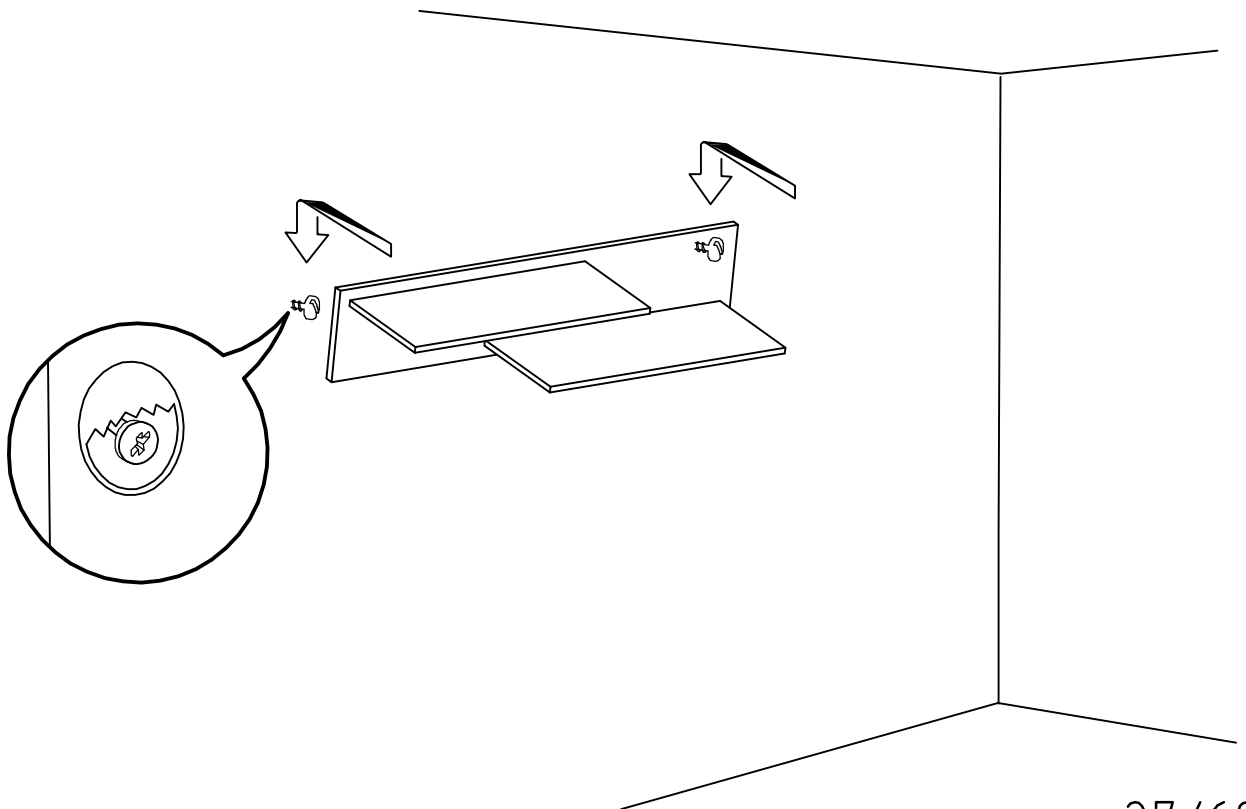
B

TOKYO

19

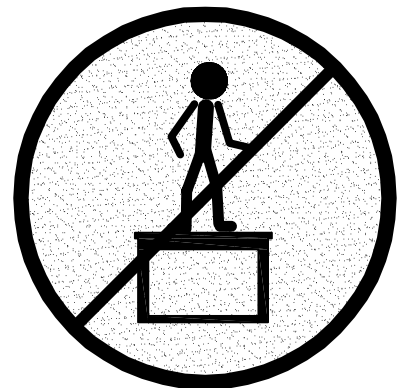
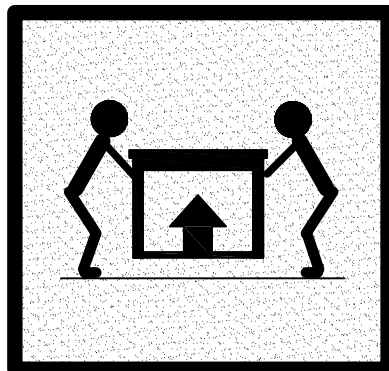
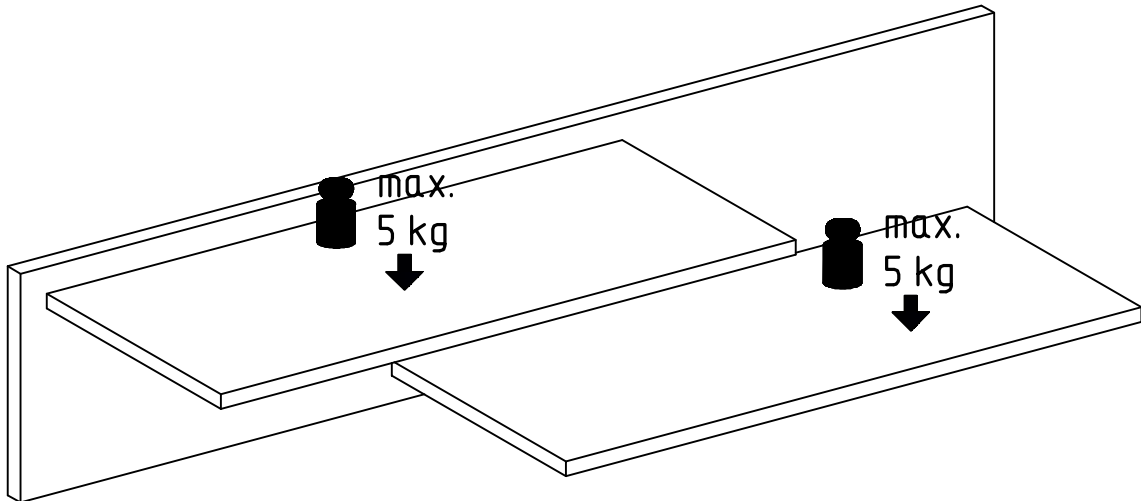
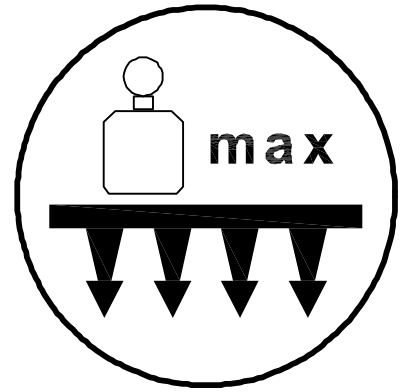


20



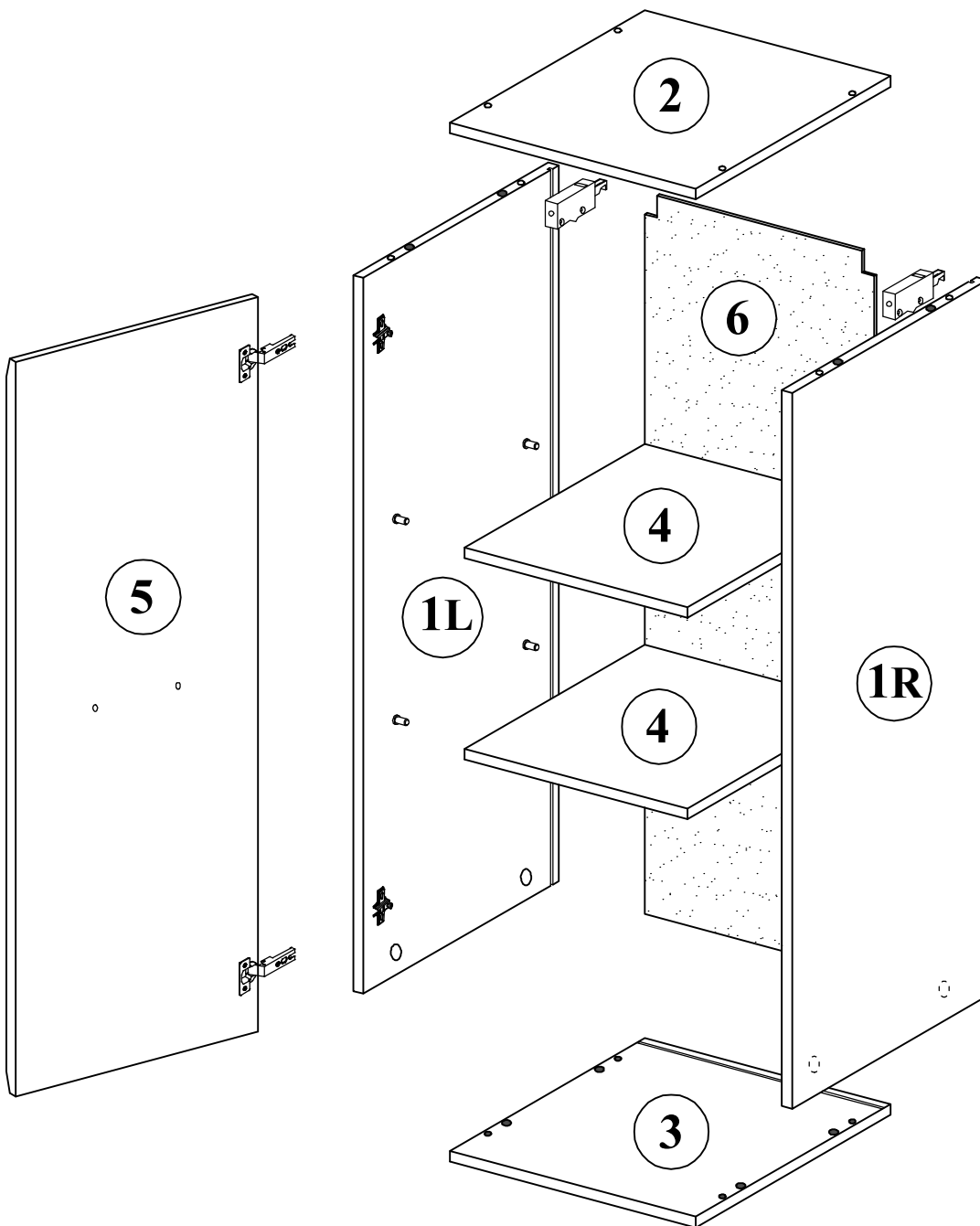
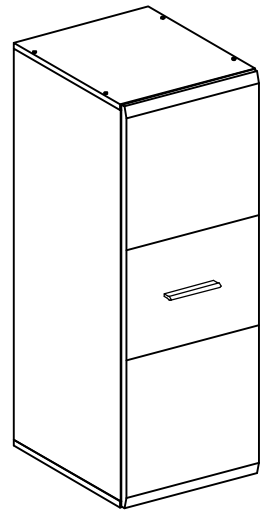
B


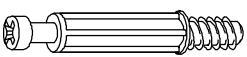
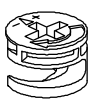
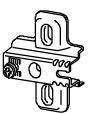
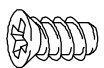
TOKYO



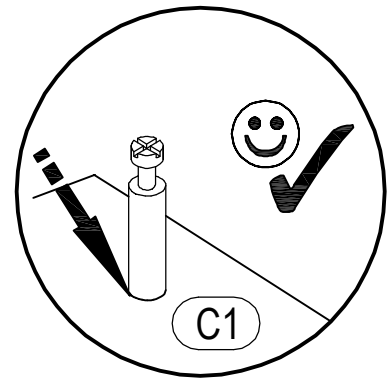
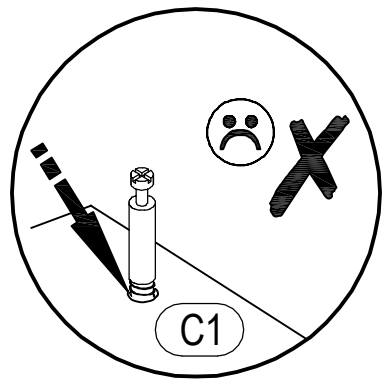
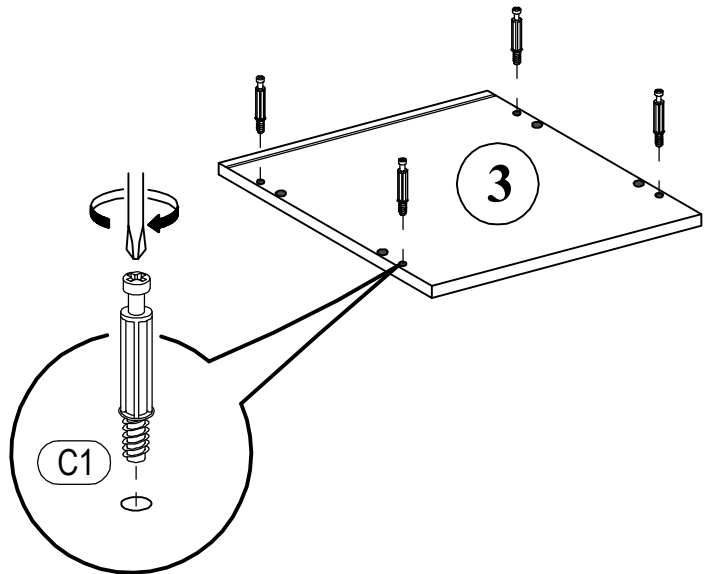
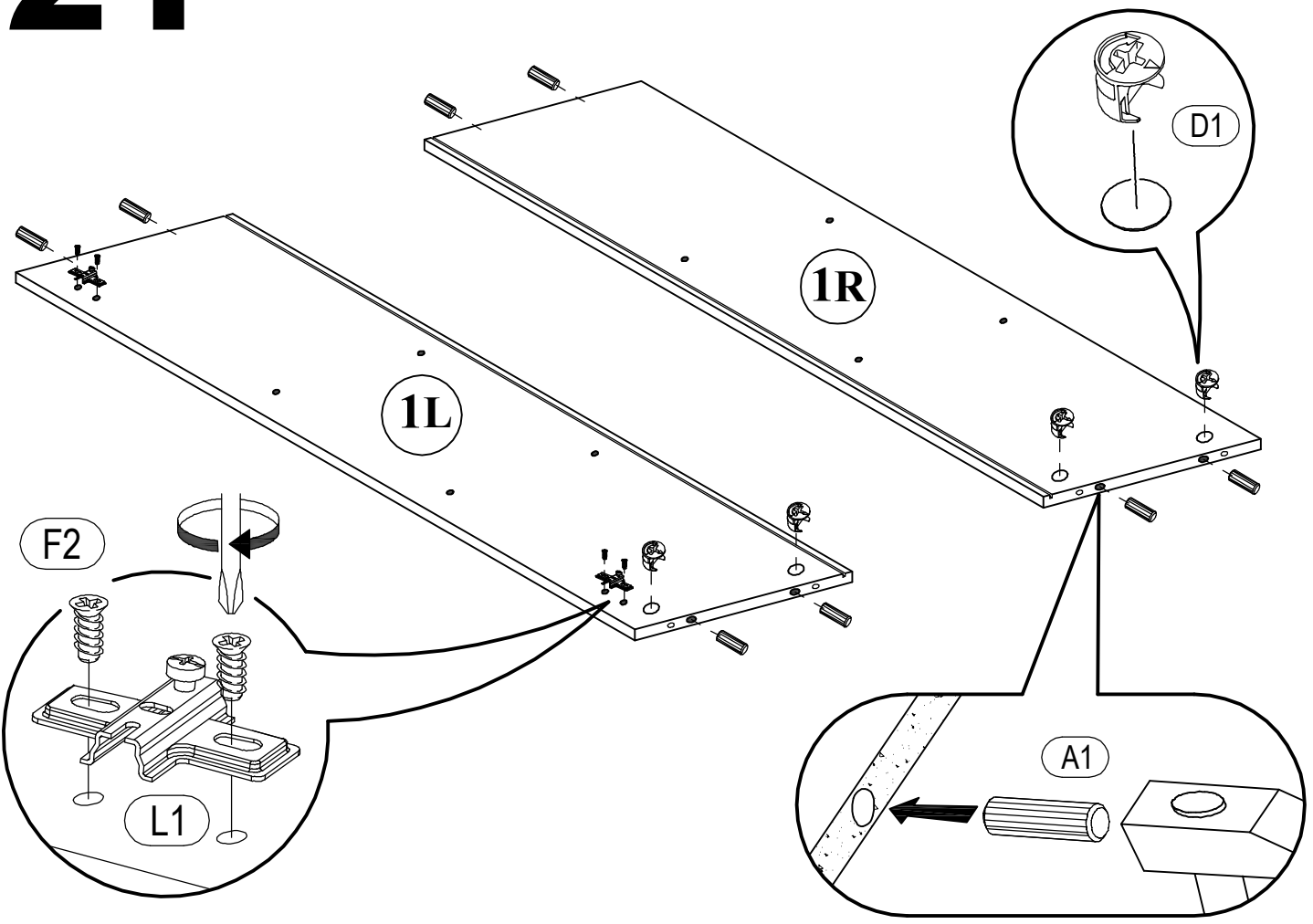
C

TOKYO



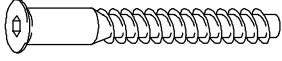
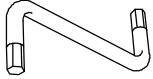
 (A1) 8*30mm x8	 (C1) 5*30mm x4	 (D1) 16mm x4
	 (L1) x2	 (F2) 6,3*13mm x4

21

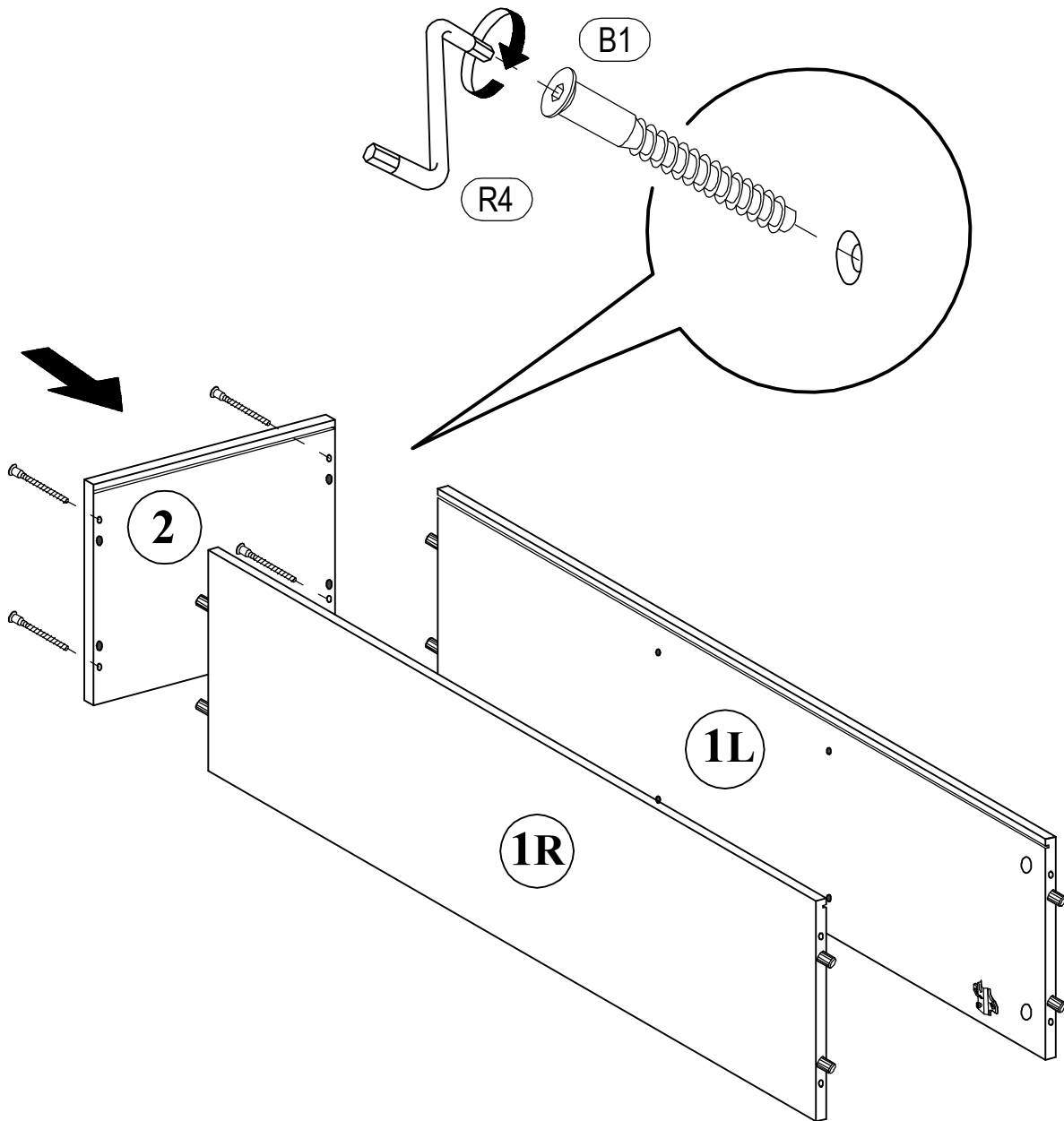


C

TOKYO

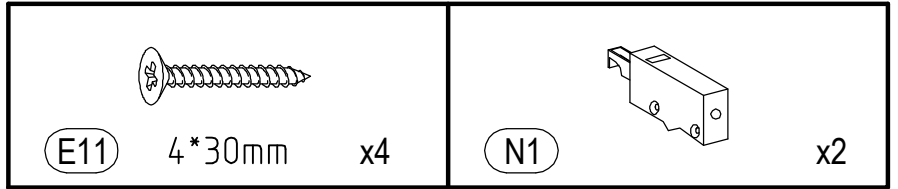
	
B1 6,3*50mm x4	R4 N°4 x1

22

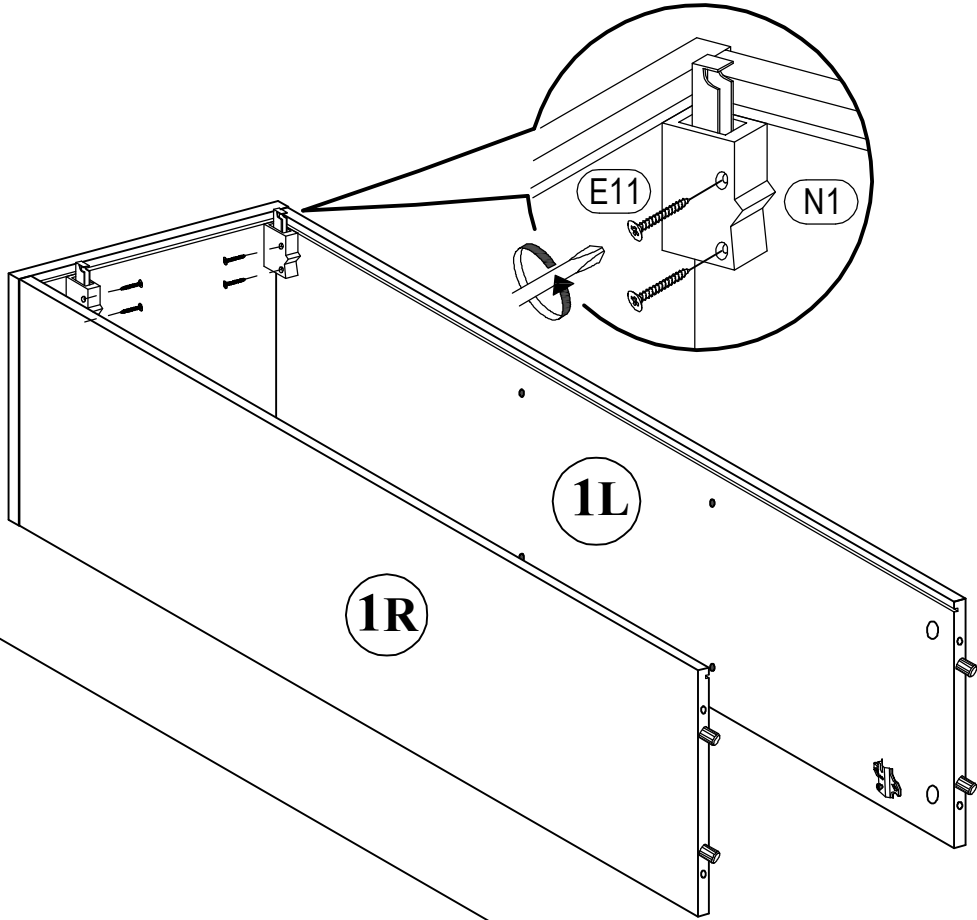


C

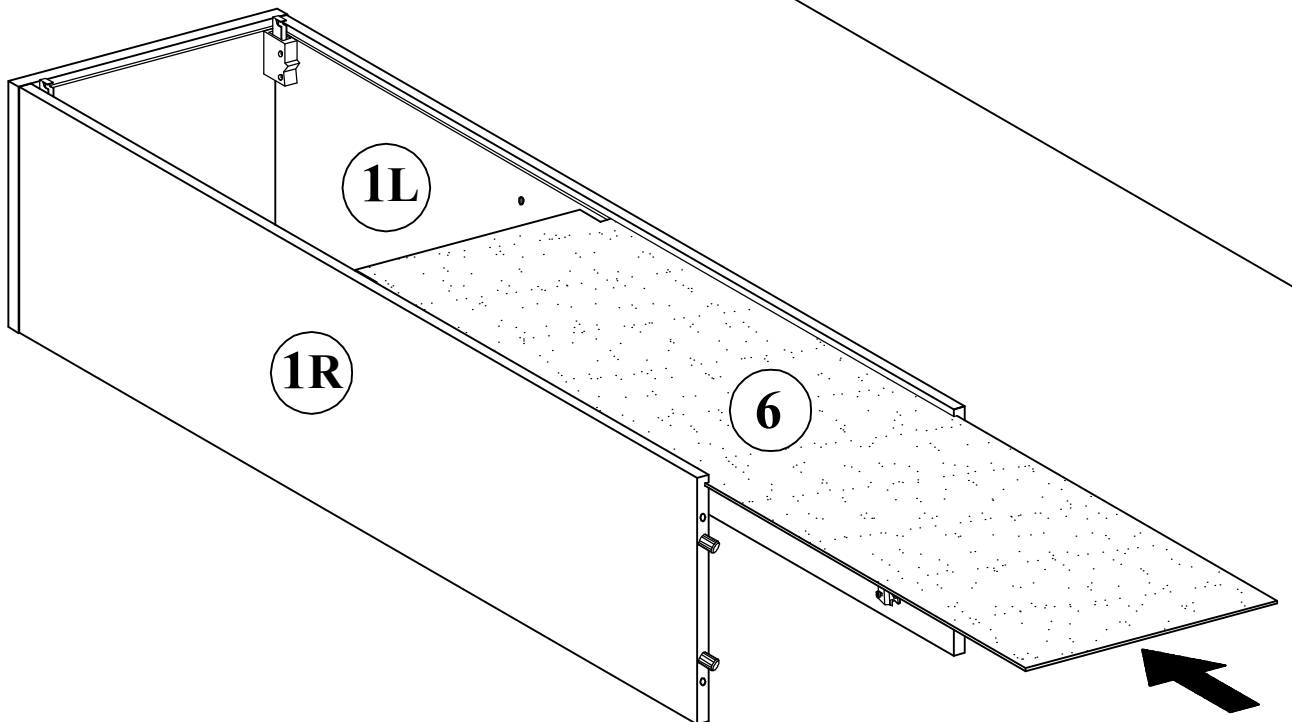
TOKYO



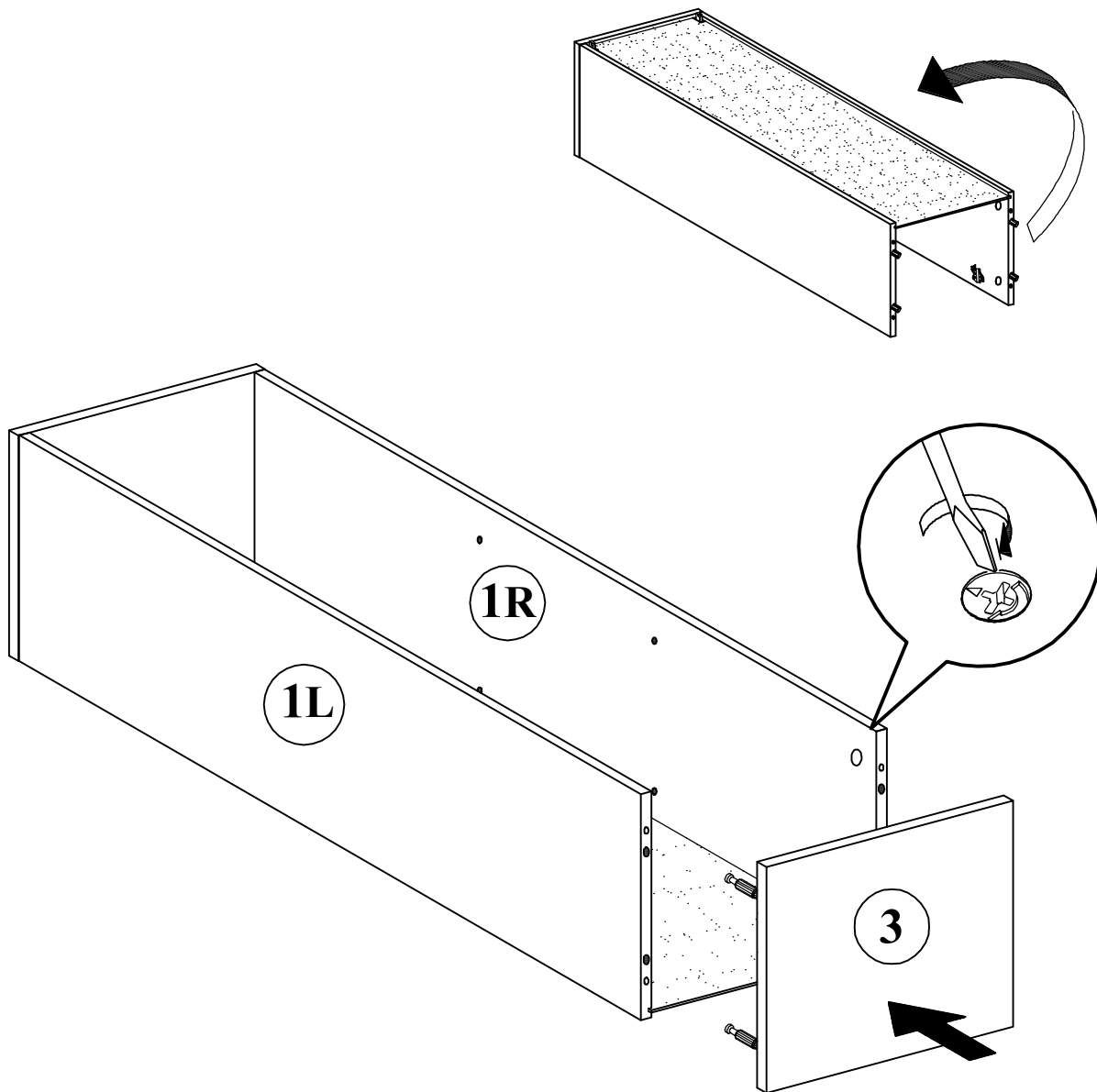
23



24



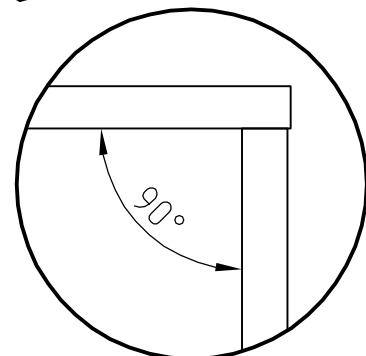
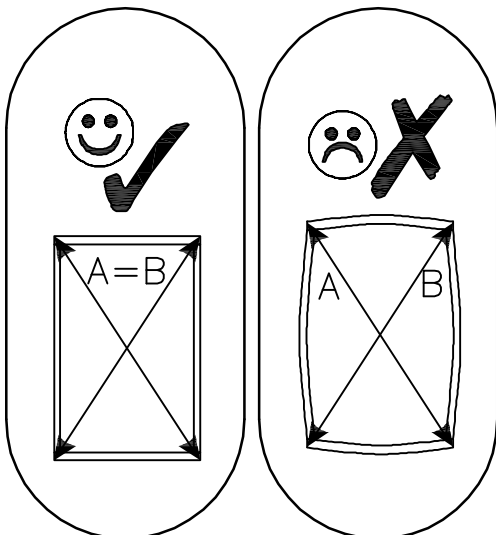
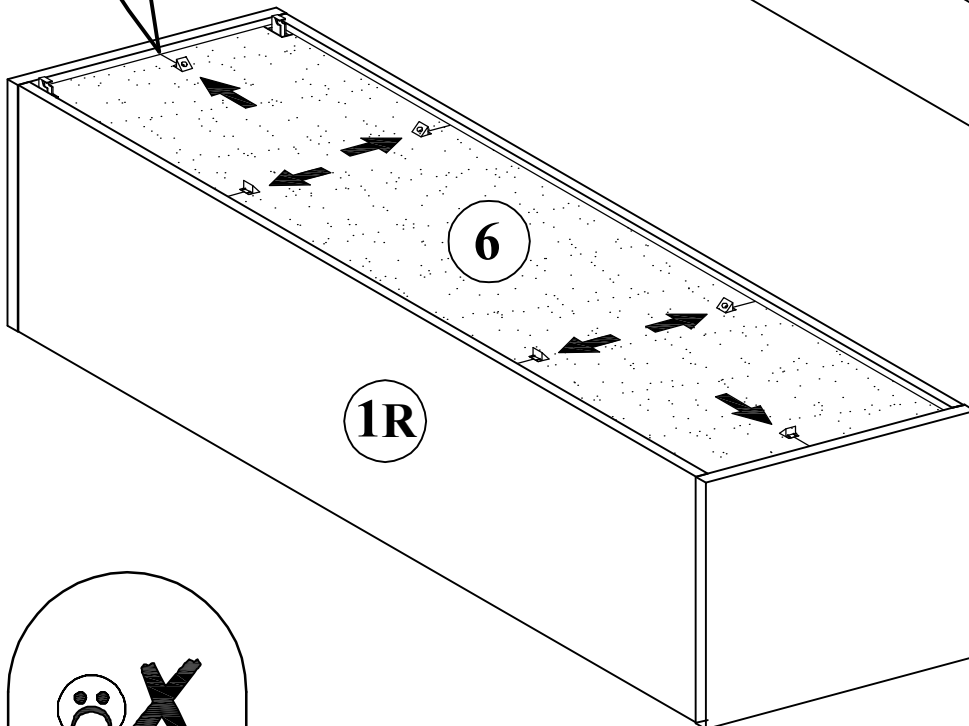
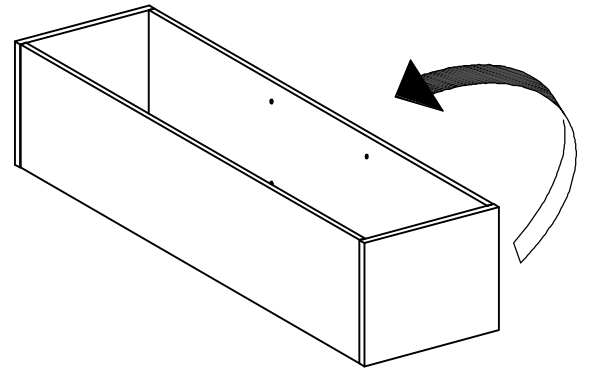
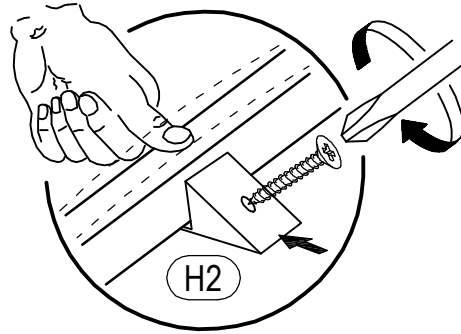
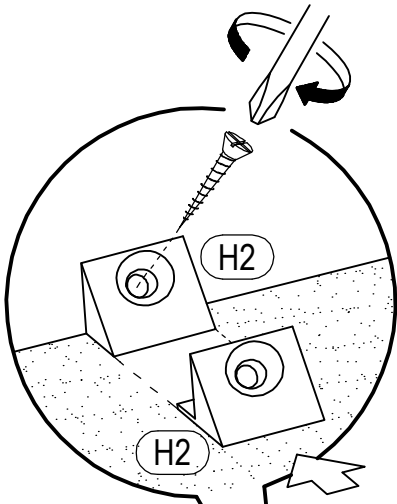
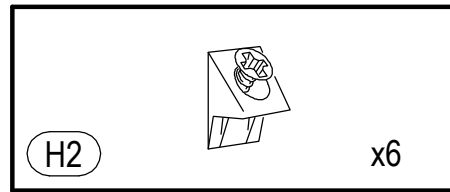
25



C

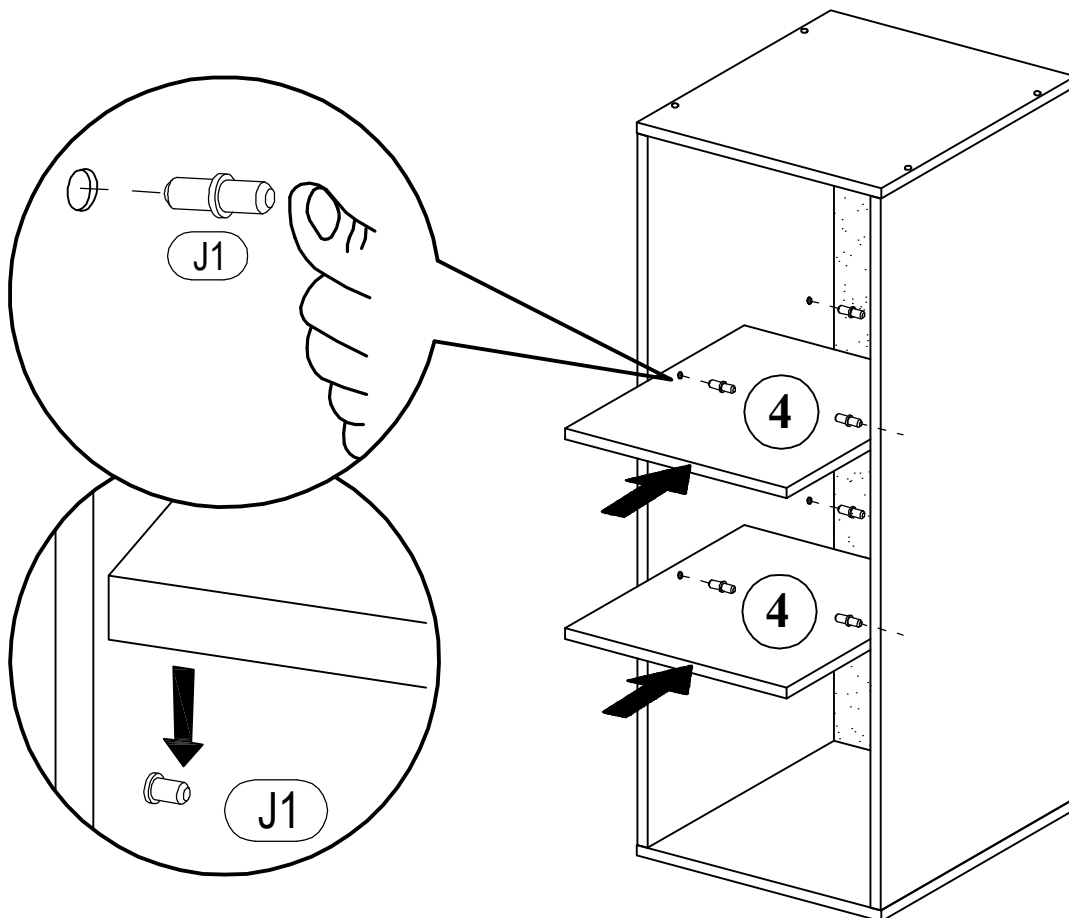
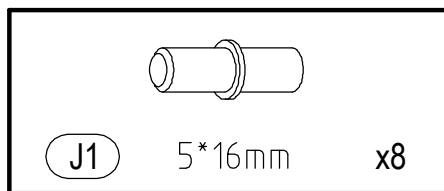
TOKYO

26

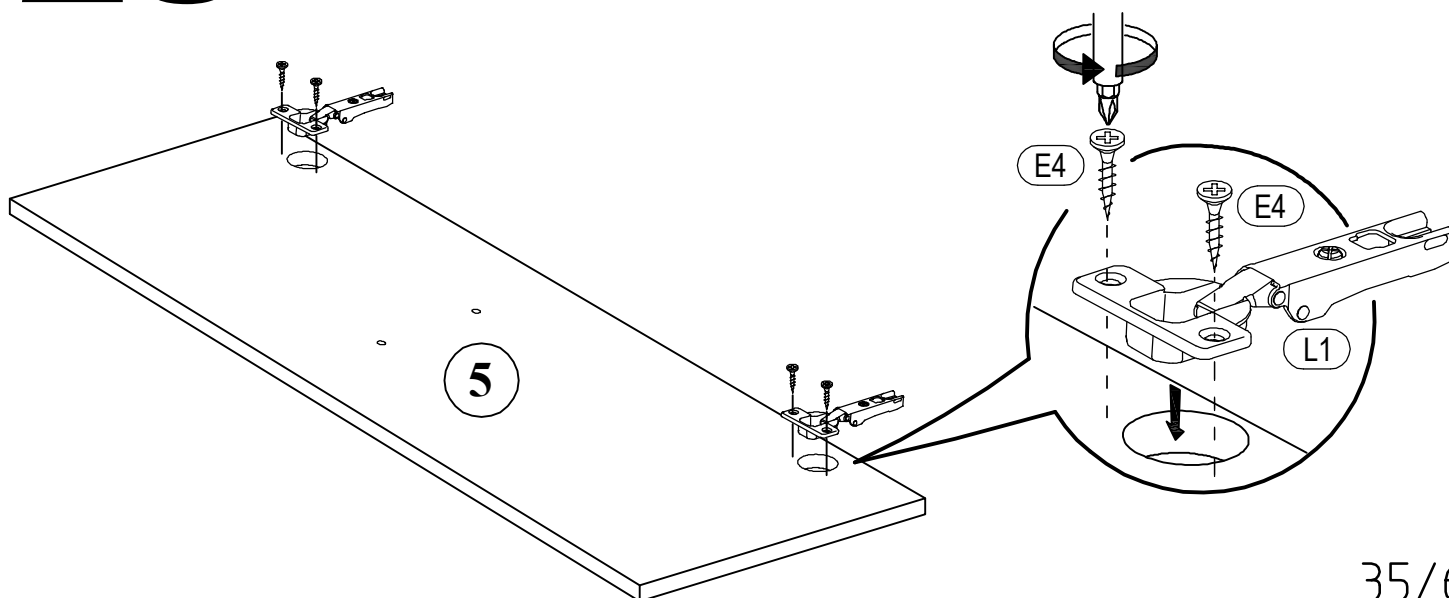
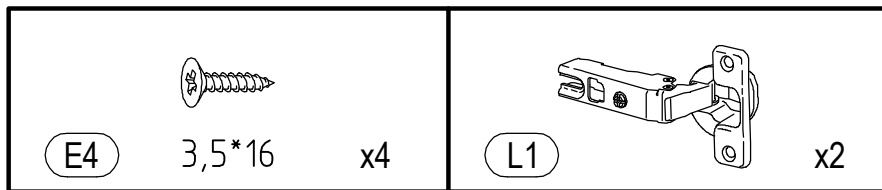


C

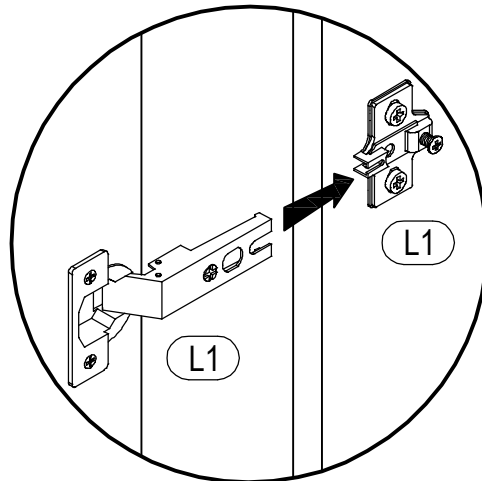
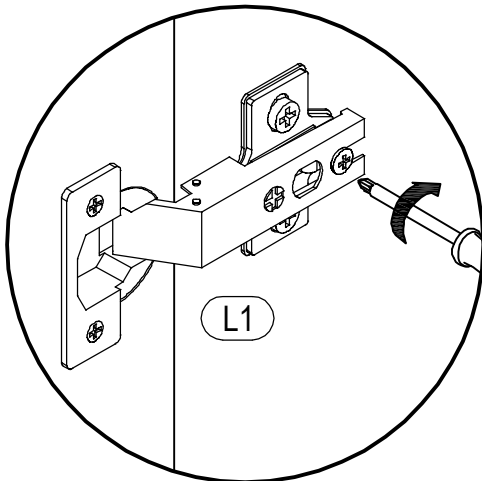
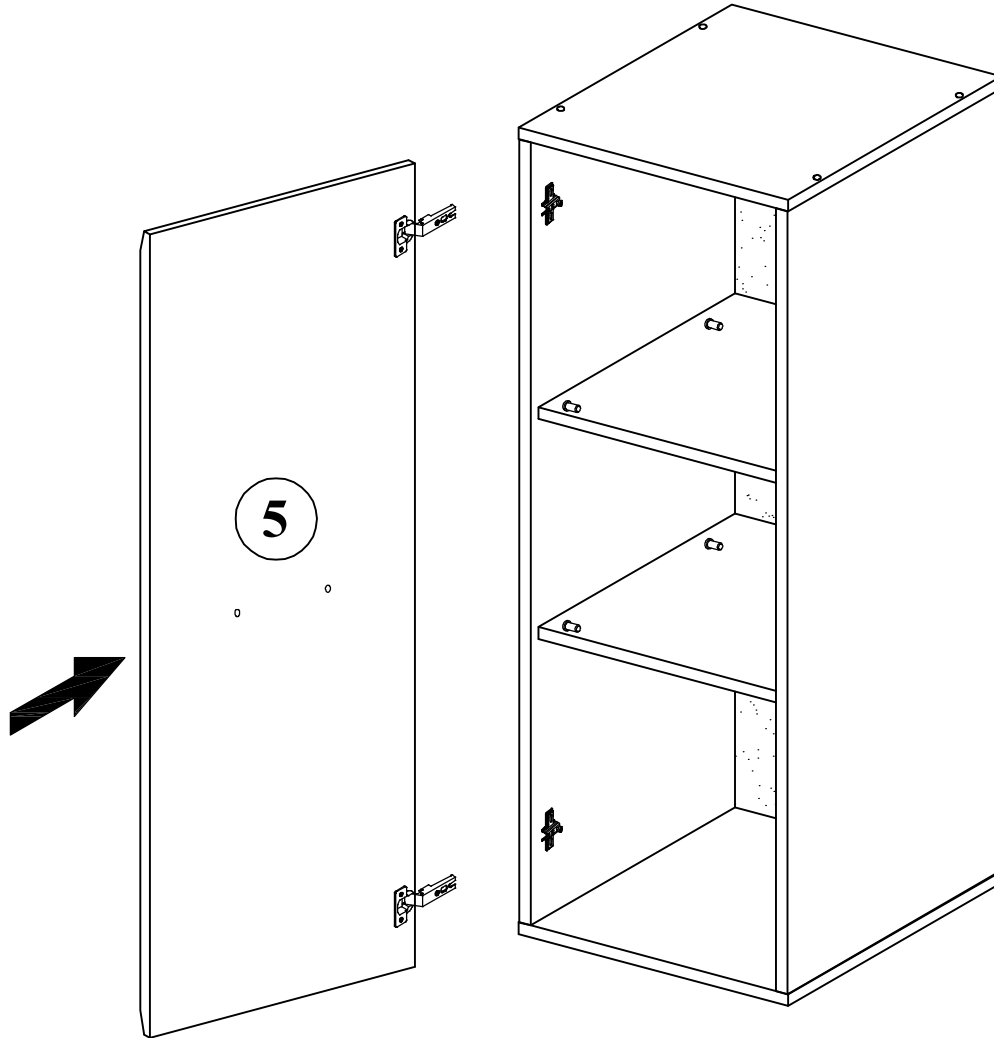
27


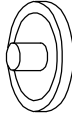

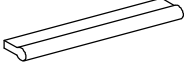



28

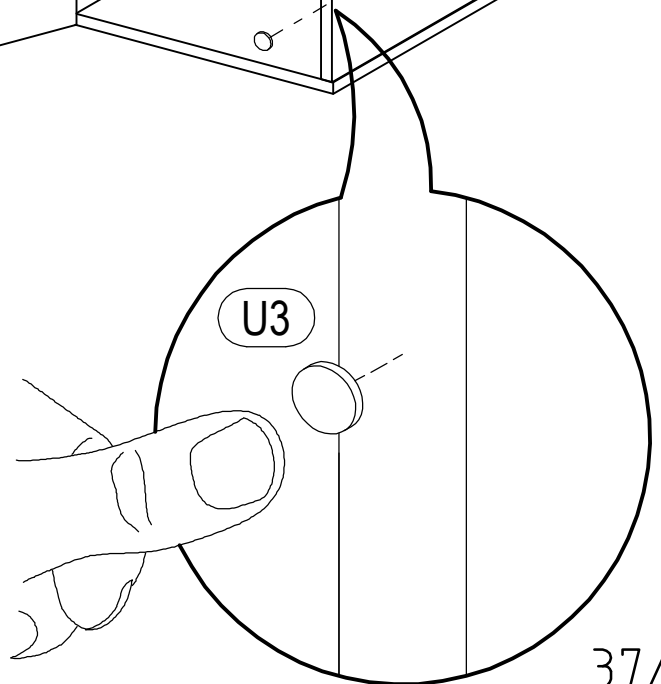
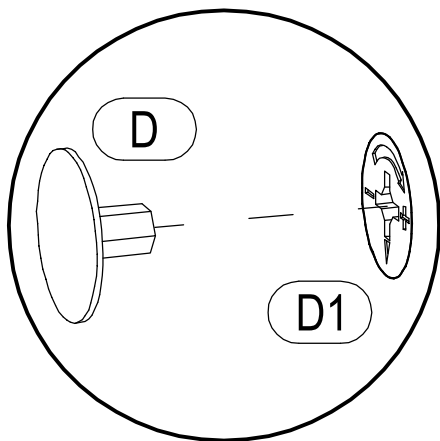
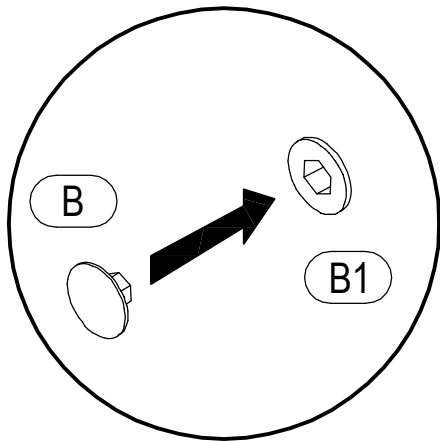
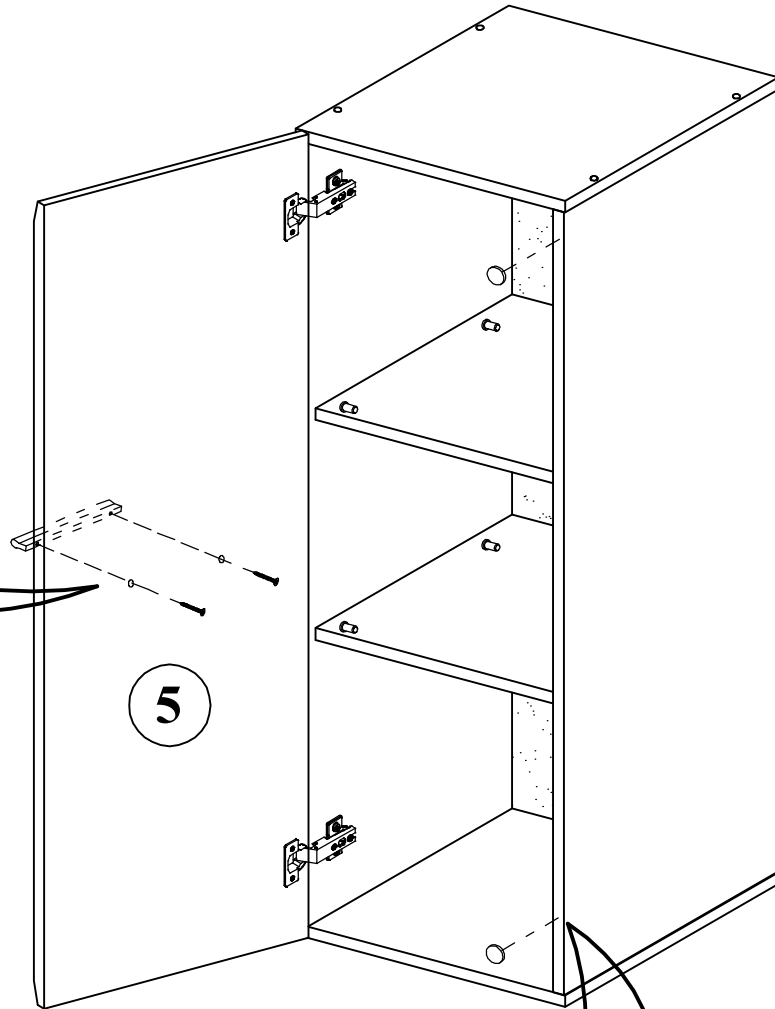
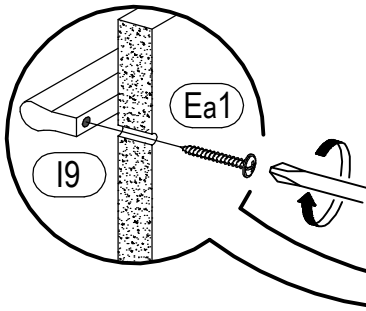


29



 B x4	 D x4	 Ea1 3,5*27mm x2
	 I9 x1	 U3 x2

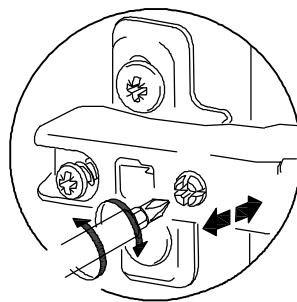
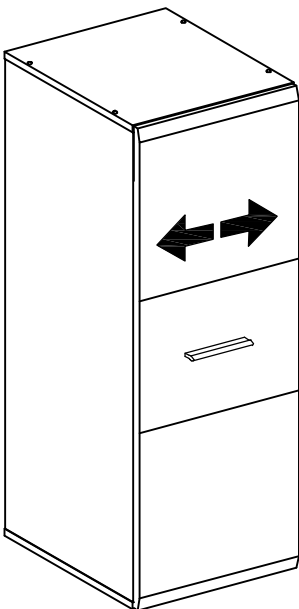
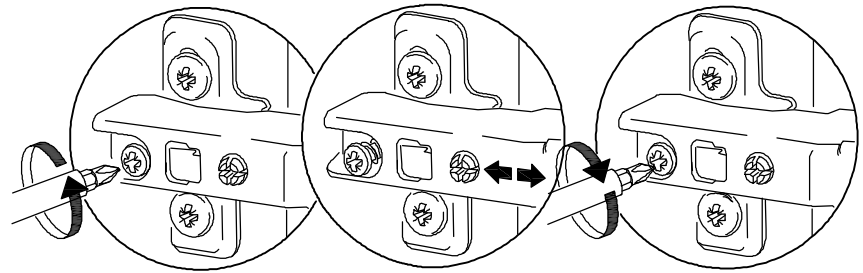
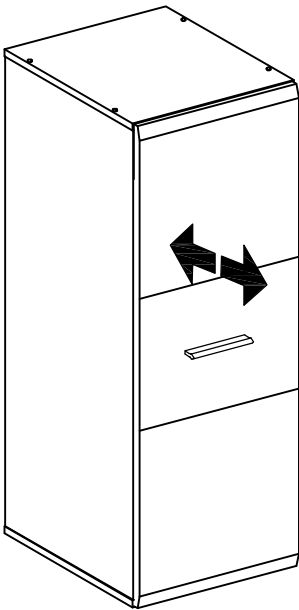
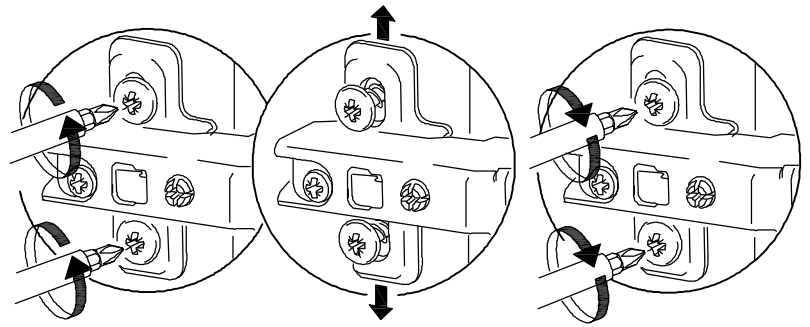
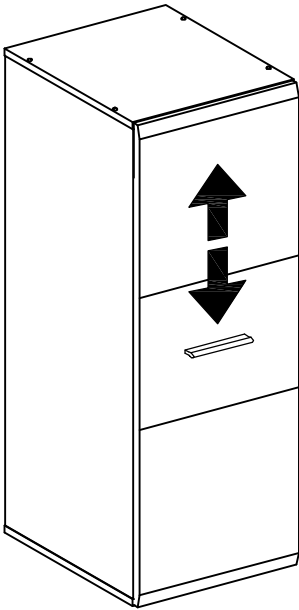
30



31

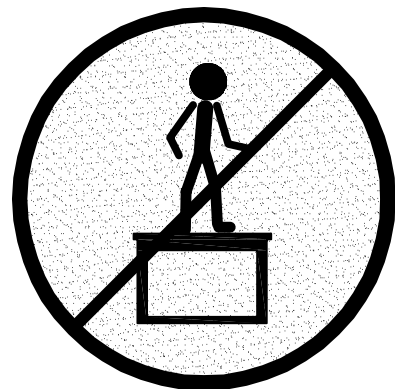
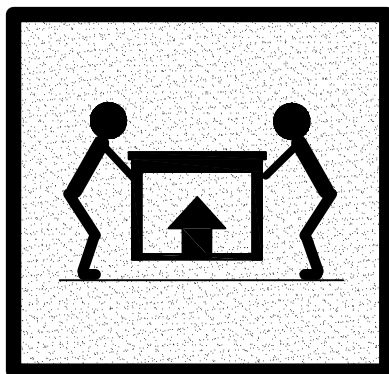
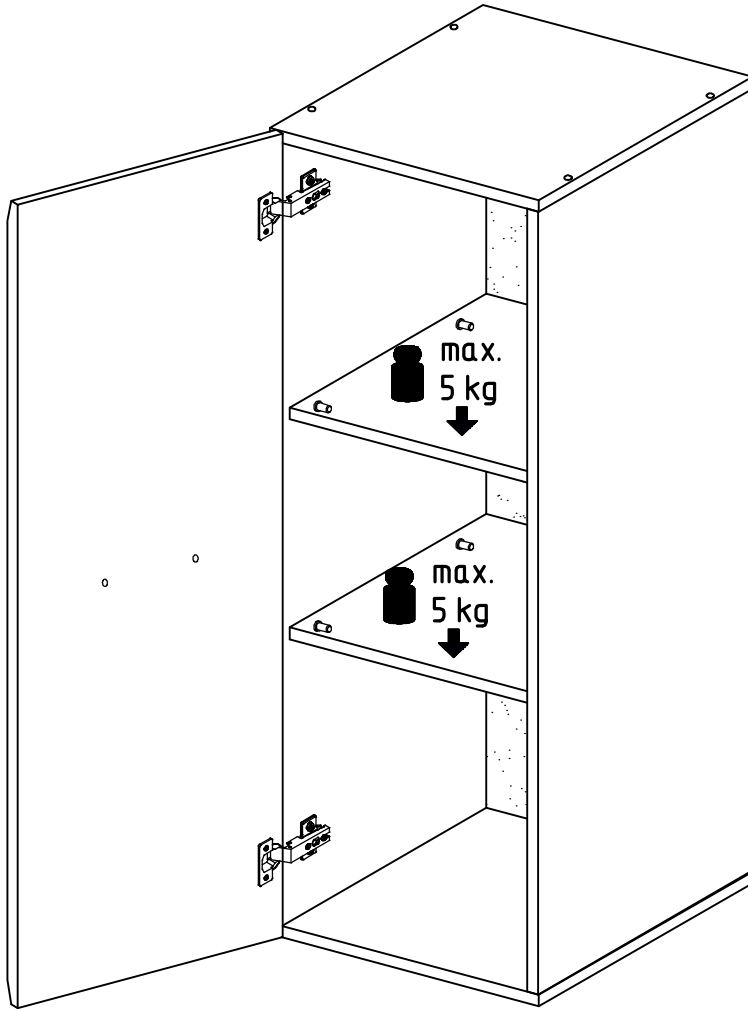
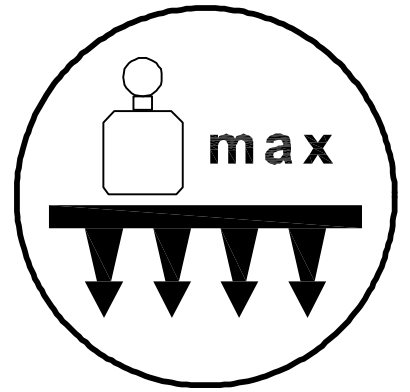
(C)

TOKYO



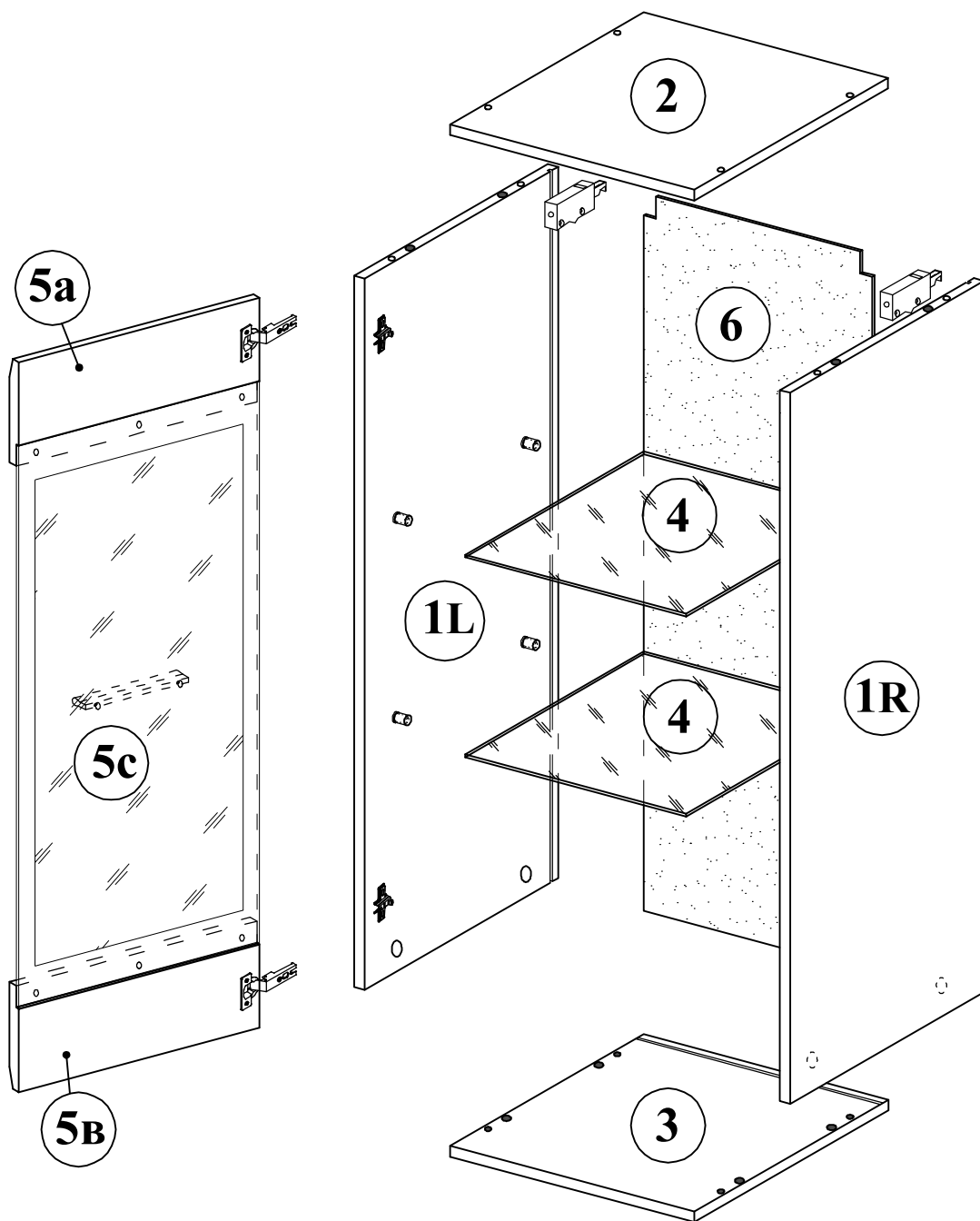
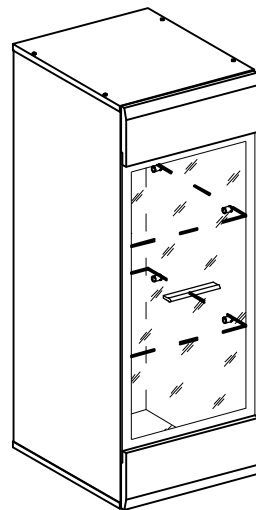
C


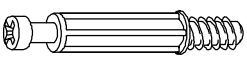
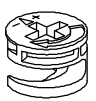
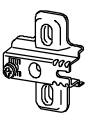
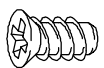
TOKYO



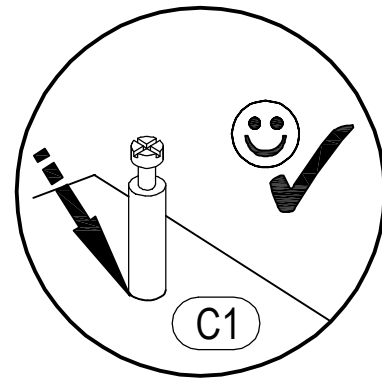
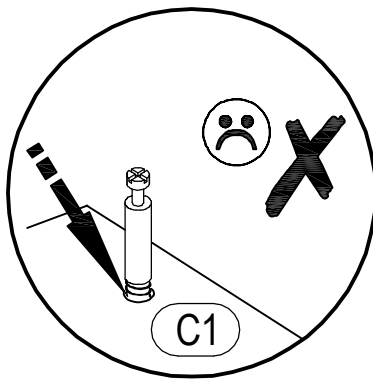
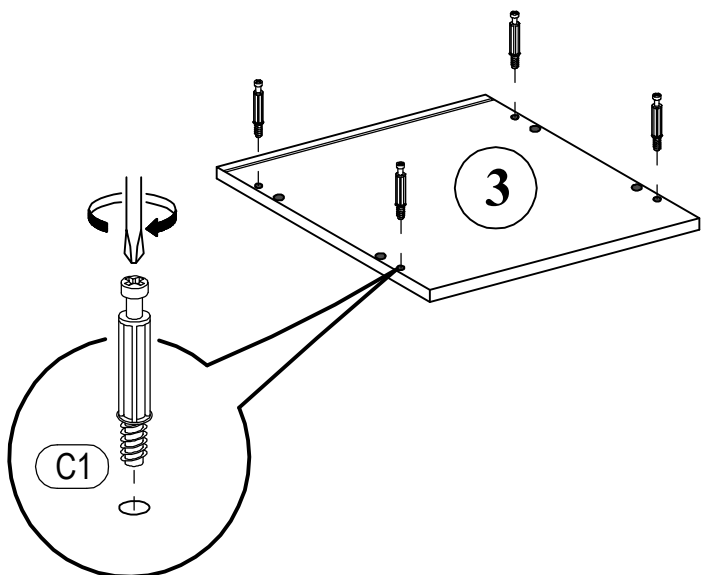
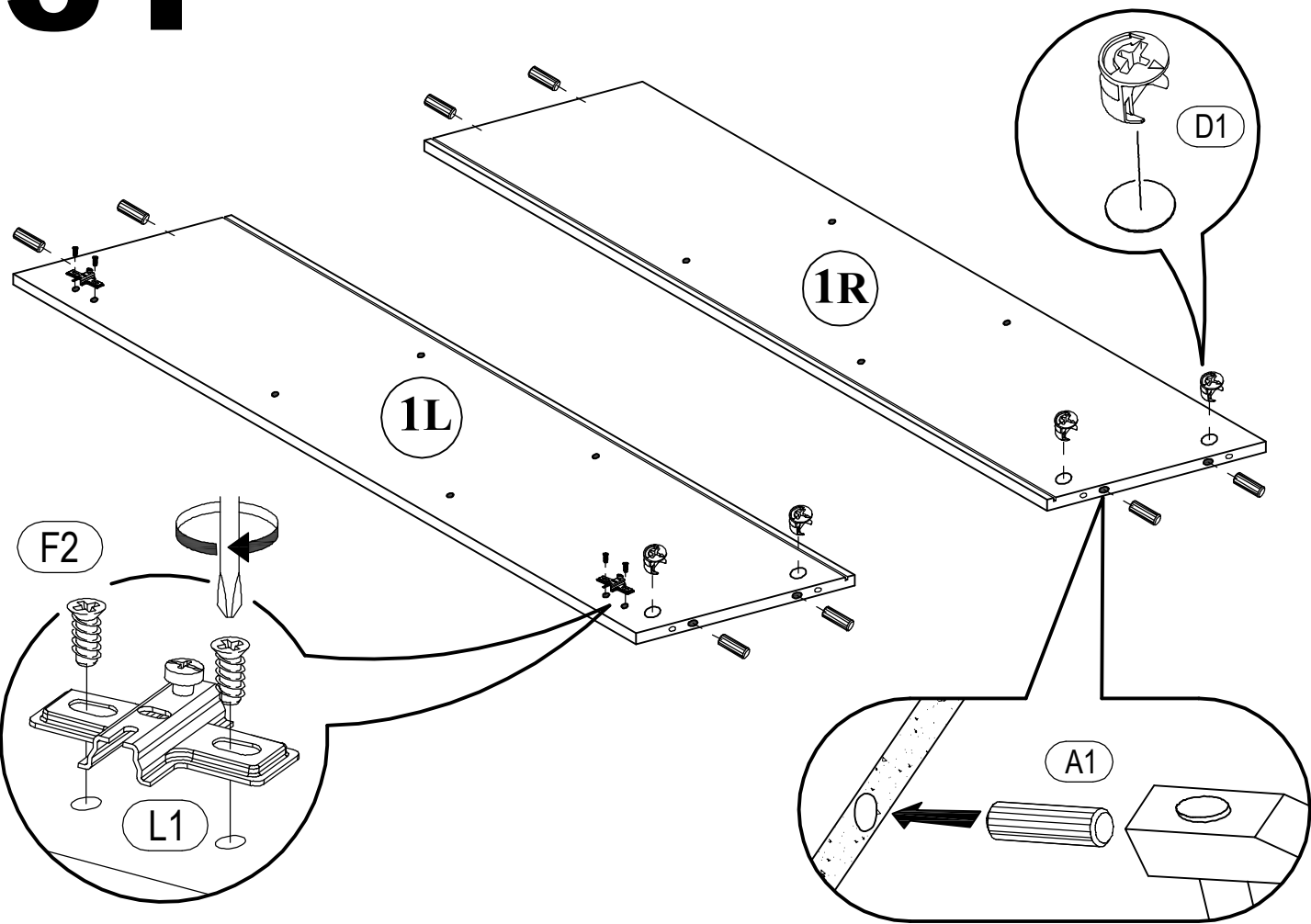
D

TOKYO



 A1 8*30mm x8	 C1 5*30mm x4	 D1 16mm x4
	 L1 x2	 F2 6,3*13mm x4

31

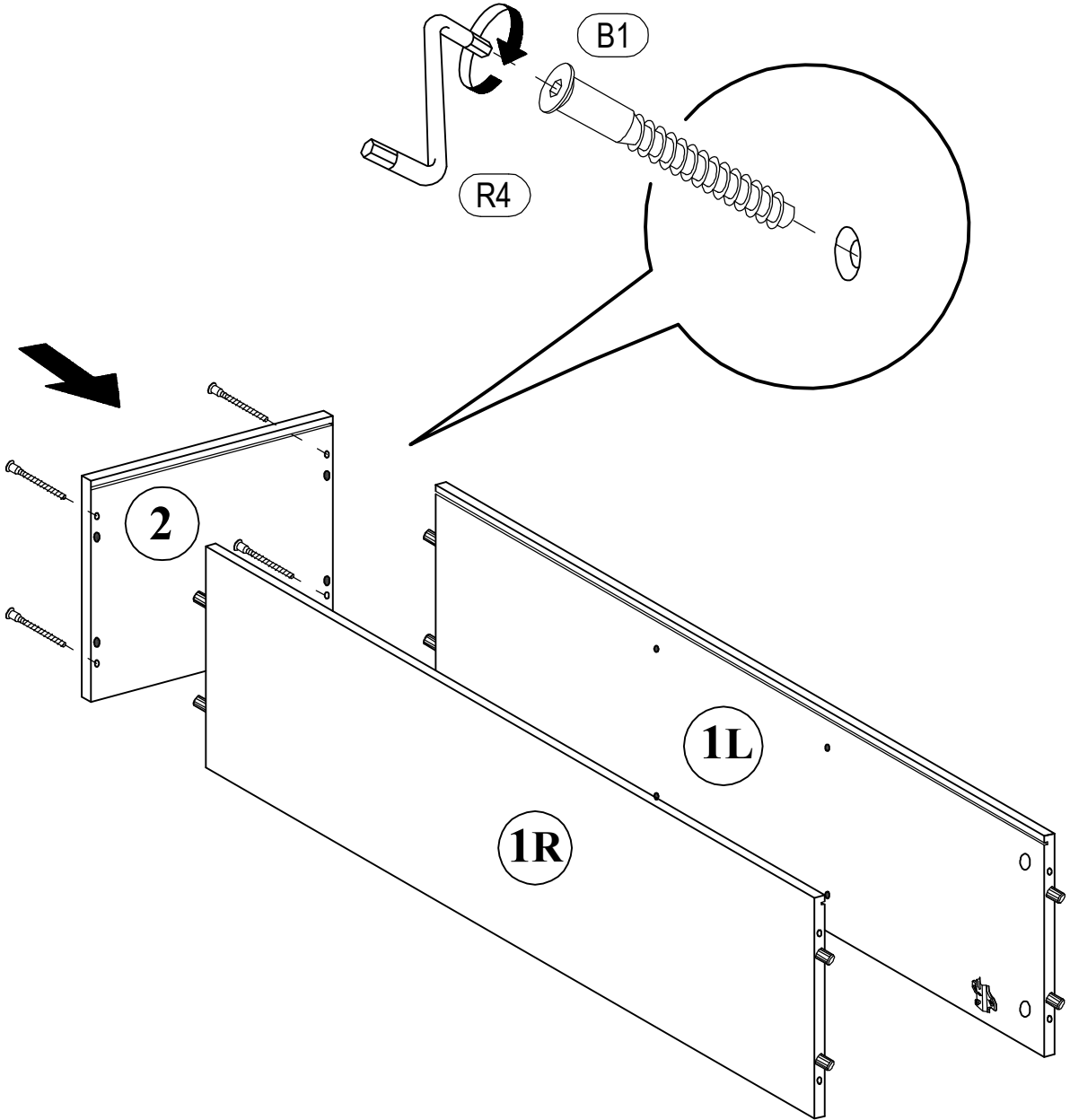


D

TOKYO


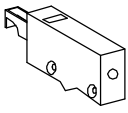
	
B1 6,3*50mm x4	R4 N°4 x1

32

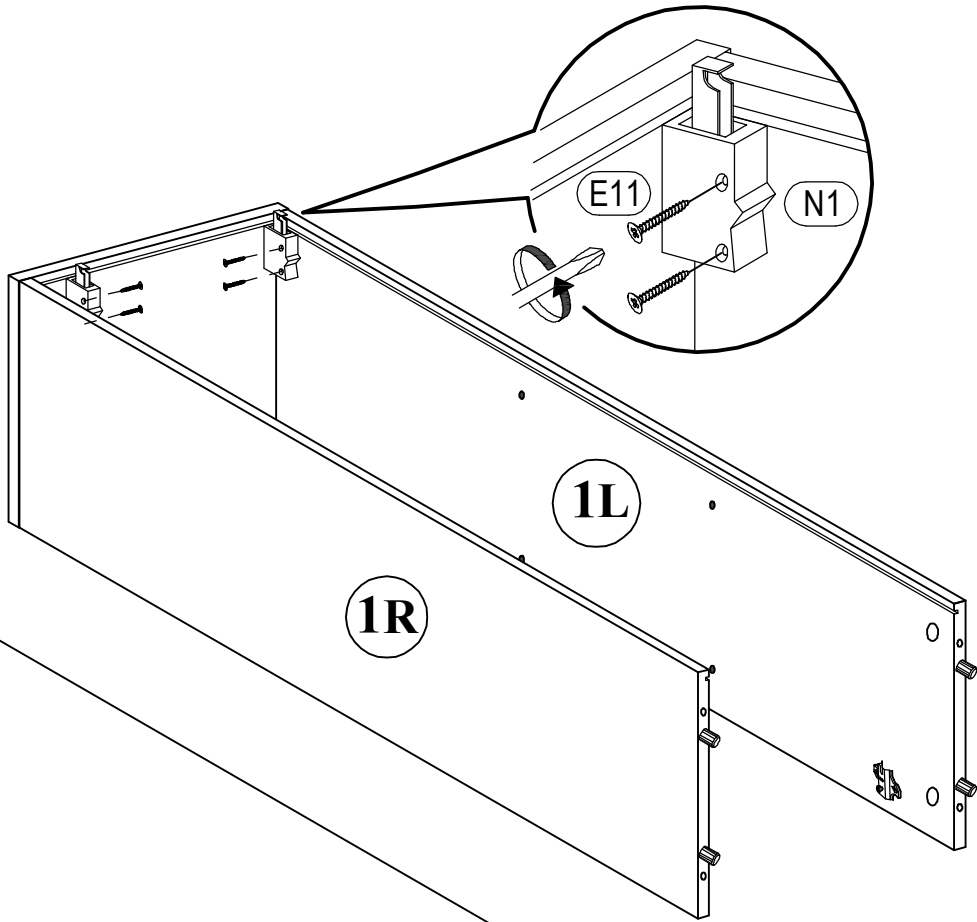


D

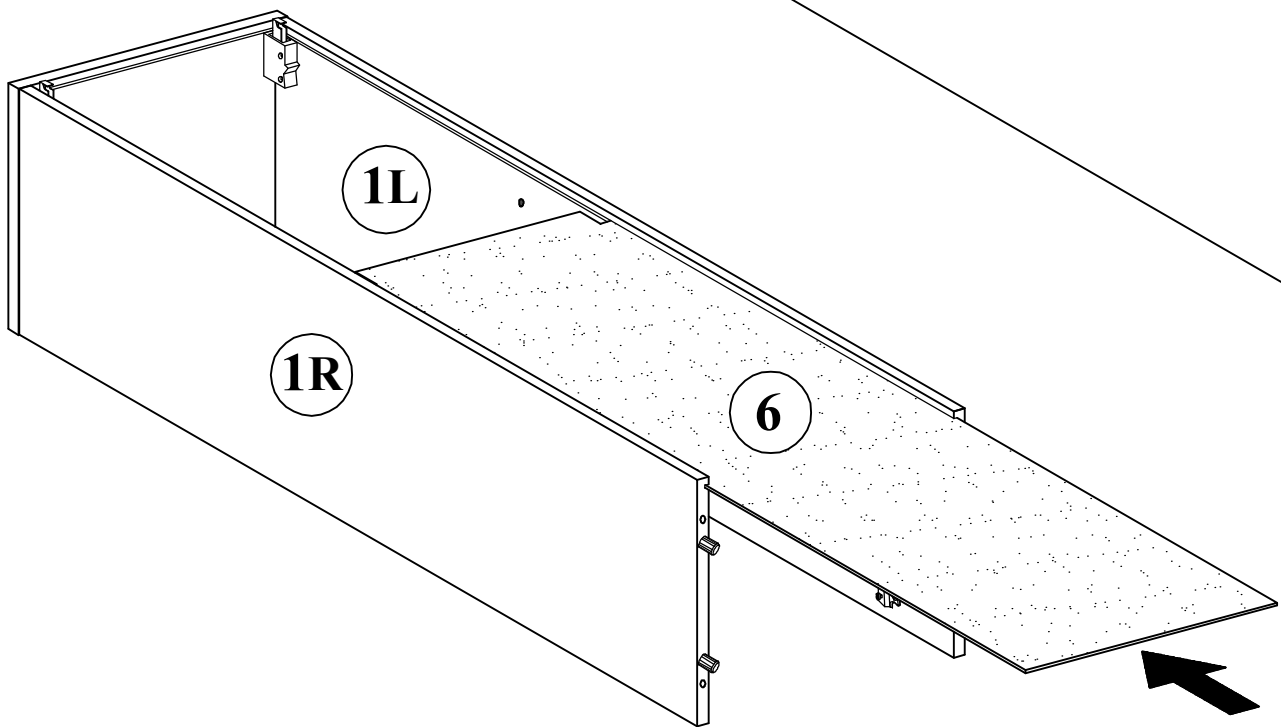
TOKYO

 <p>E11 4*30mm x4</p>	 <p>N1 x2</p>
---	---

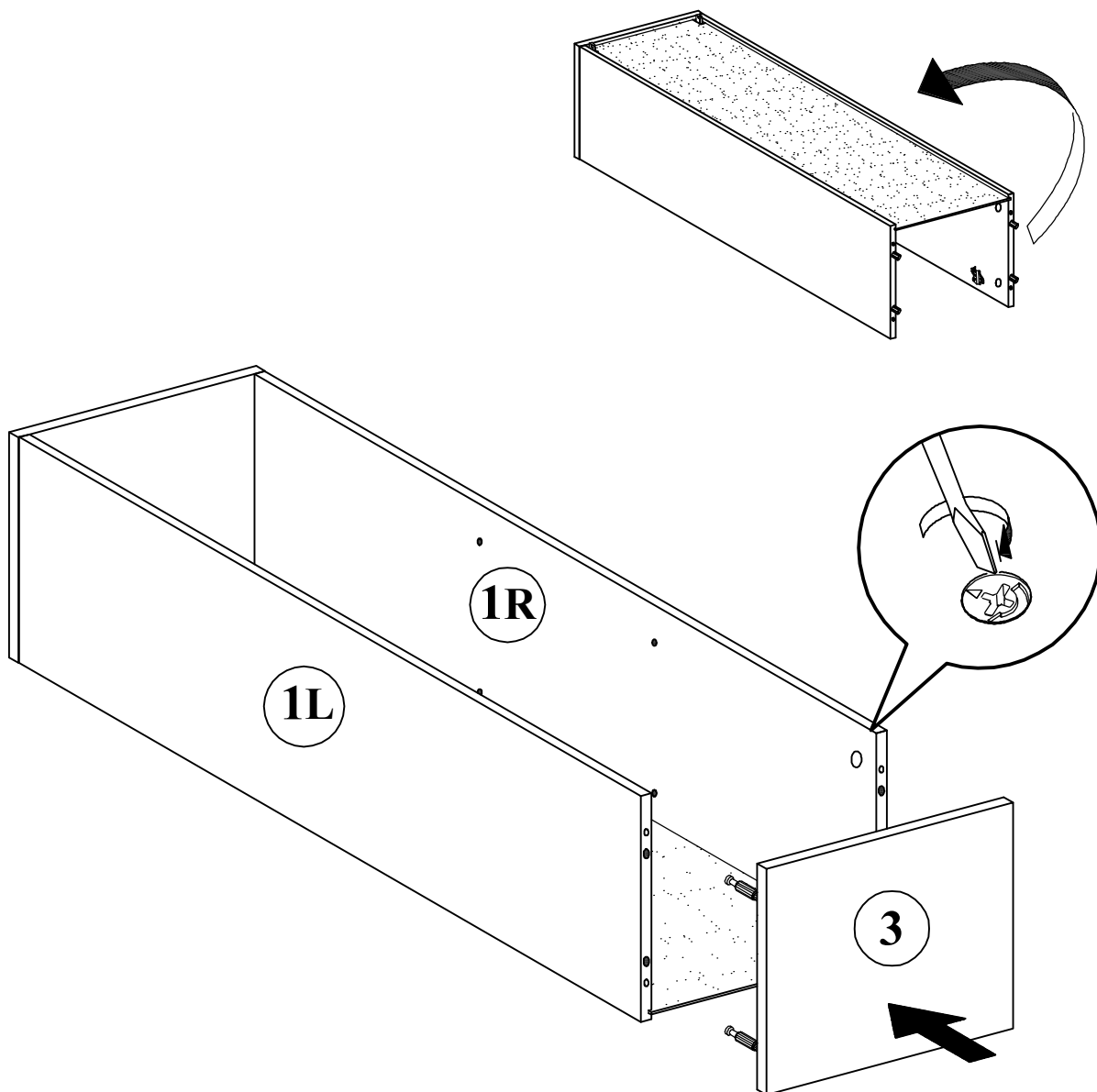
33



34



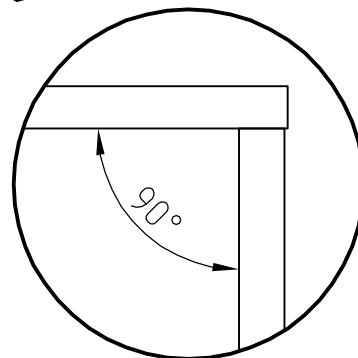
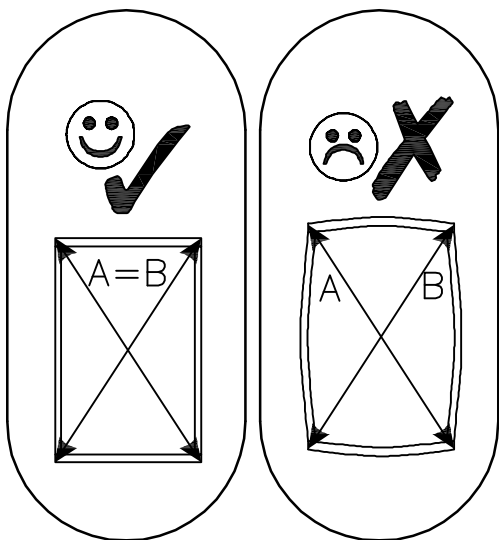
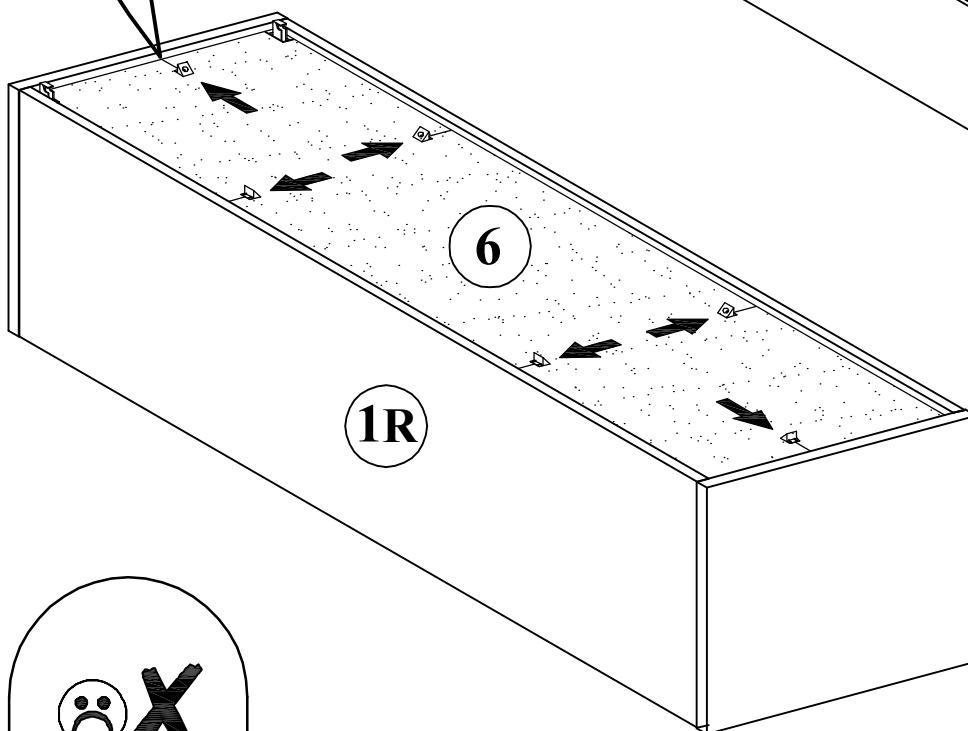
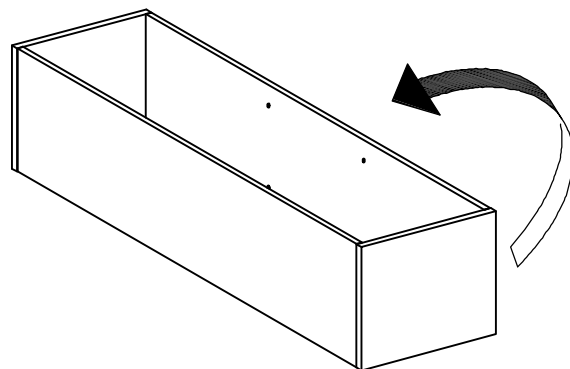
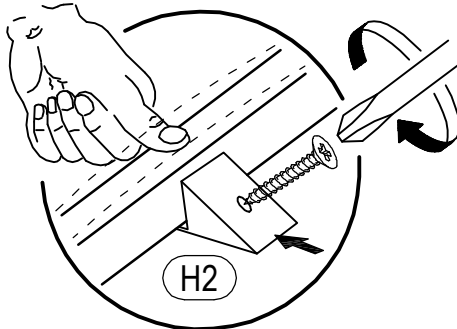
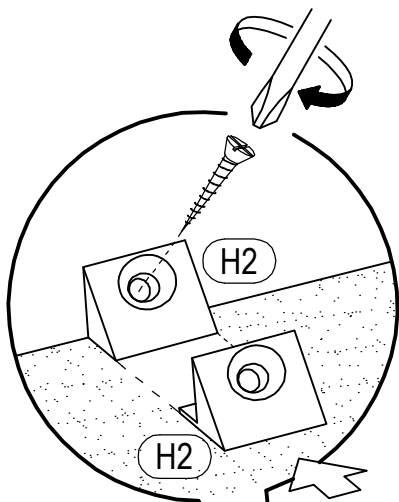
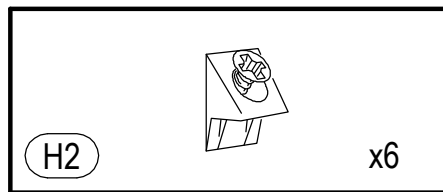
35



D

TOKYO

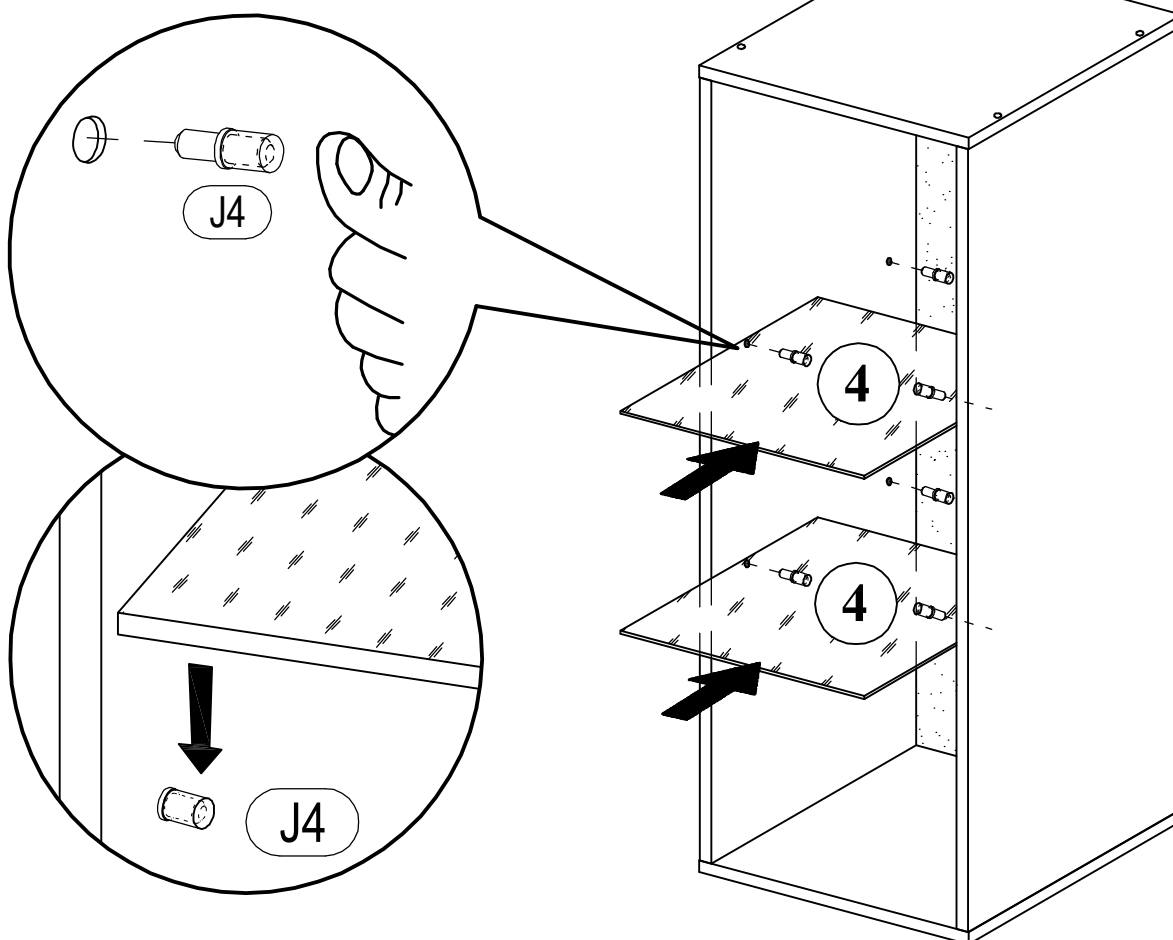
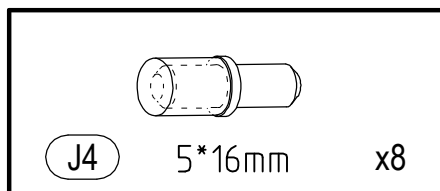
36

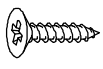
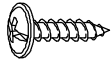
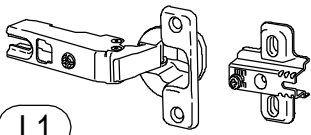



D

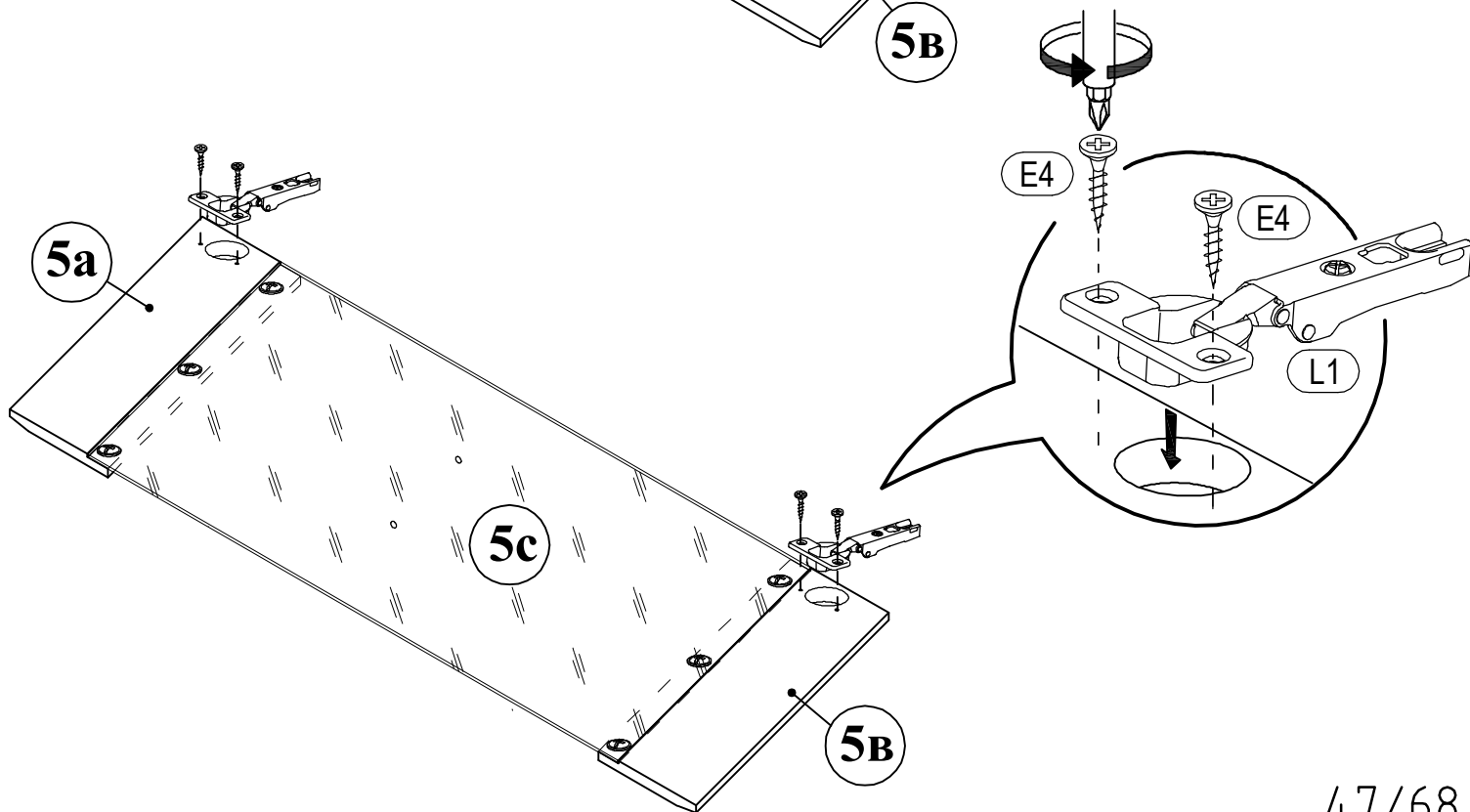
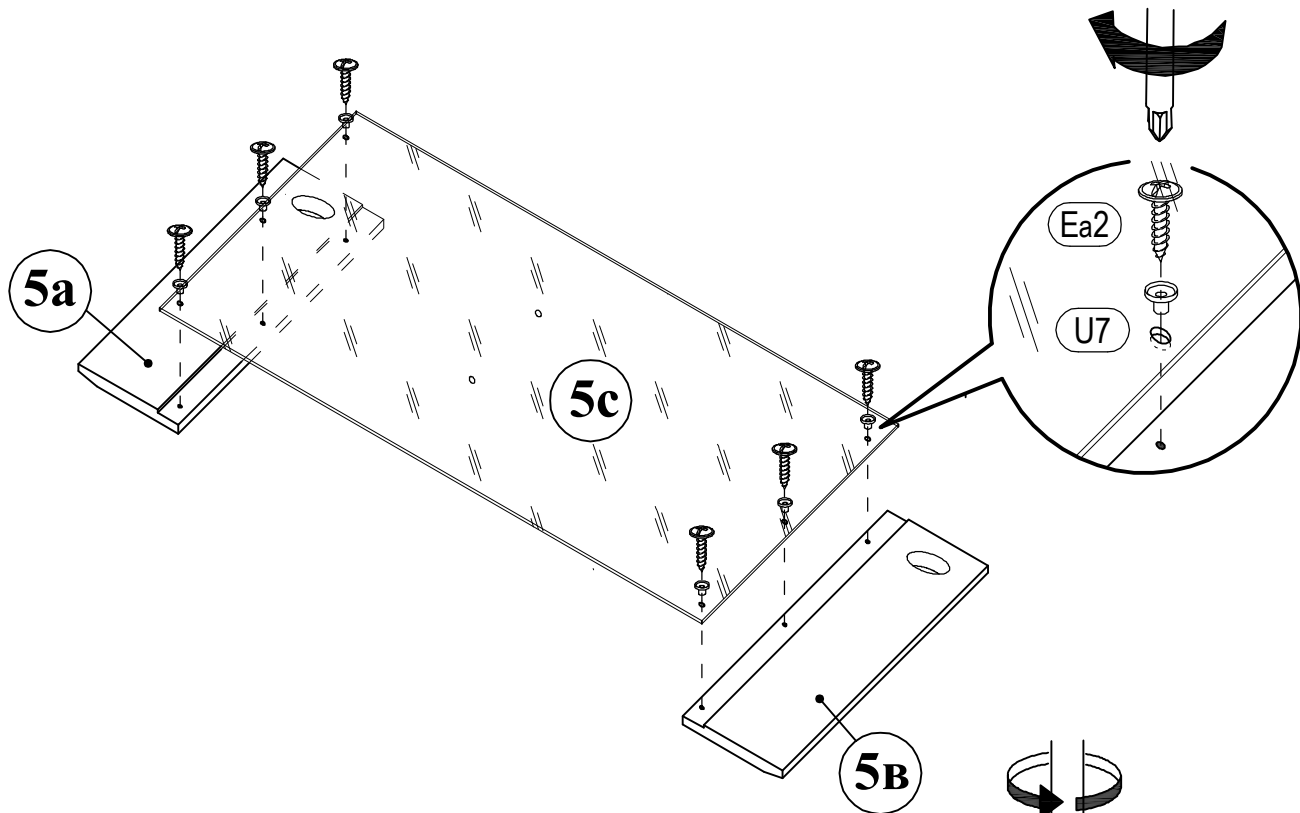
TOKYO

37

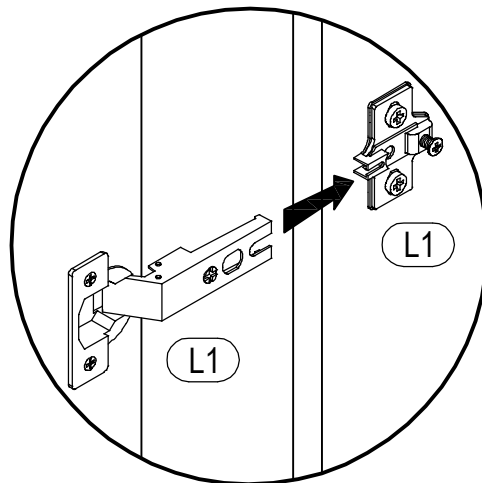
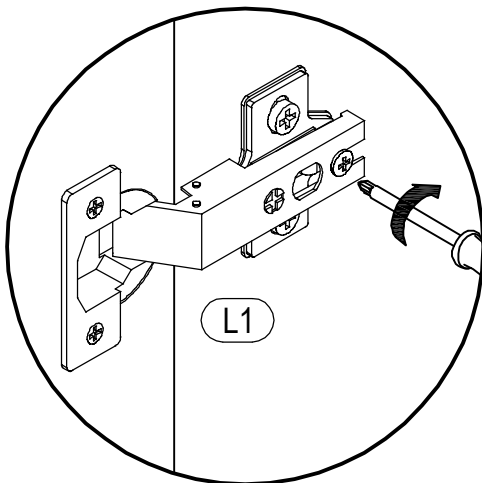
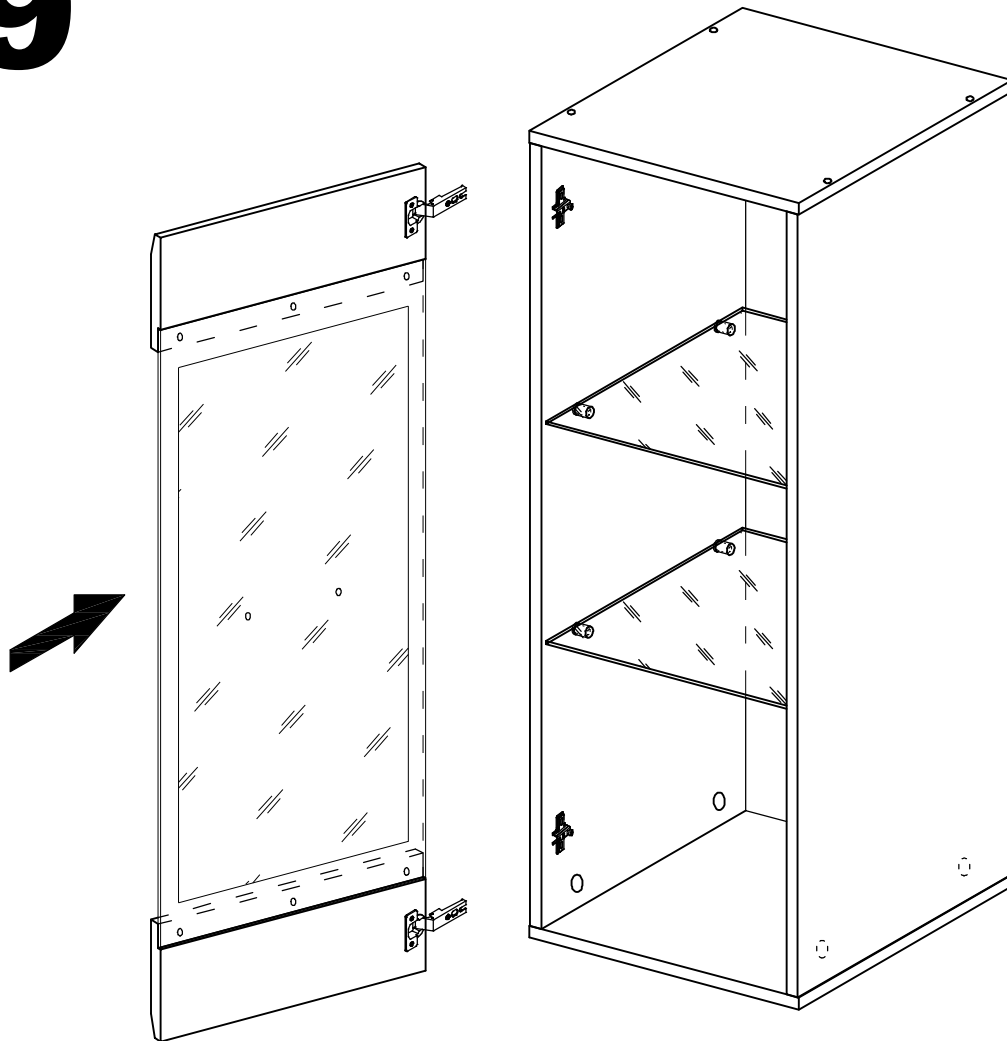


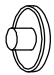
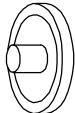
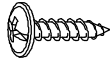
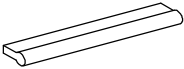


 E4 3,5*16 x4	 Ea2 4,2*16mm x6	 L1 x2
		 U7 x6

38

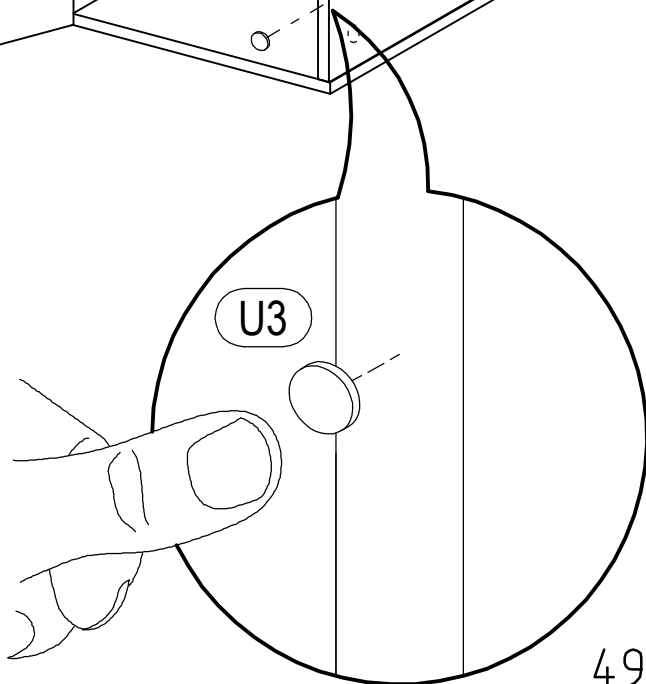
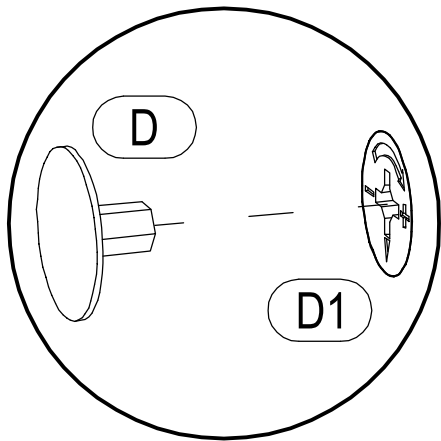
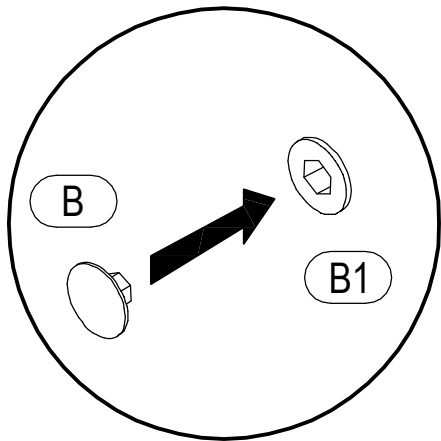
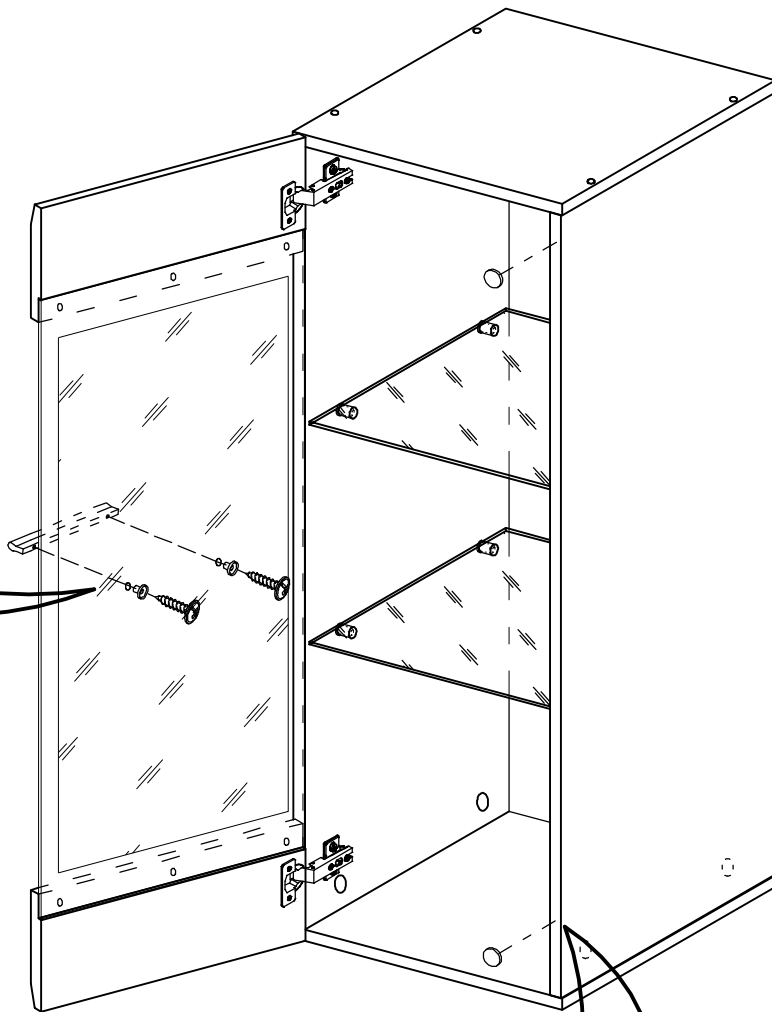
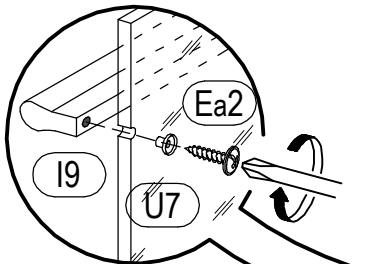


39



 B x4	 D x4	 Ea2 4,2*16mm x2
 I9 x1	 U3 x2	 U7 x2

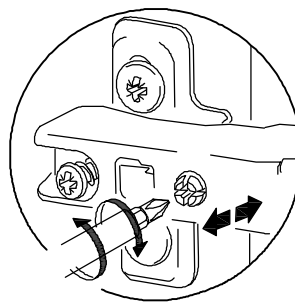
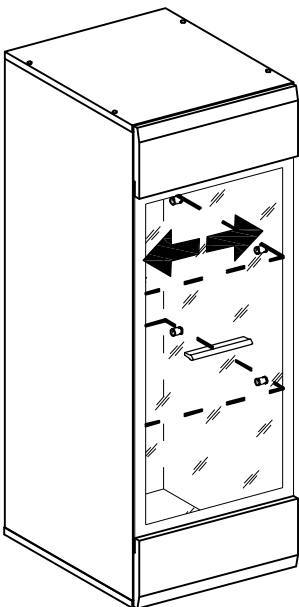
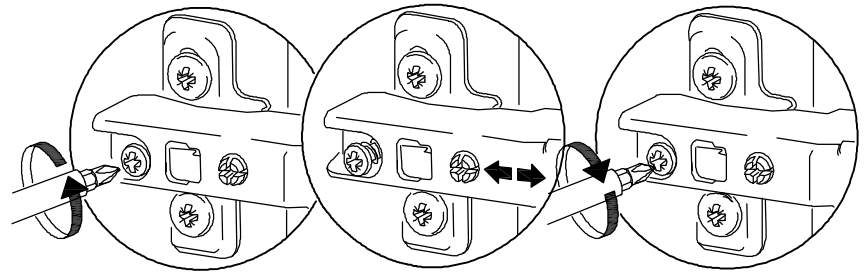
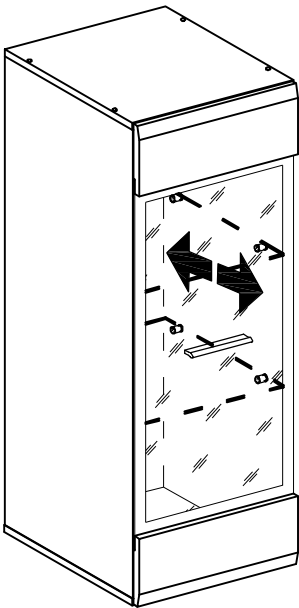
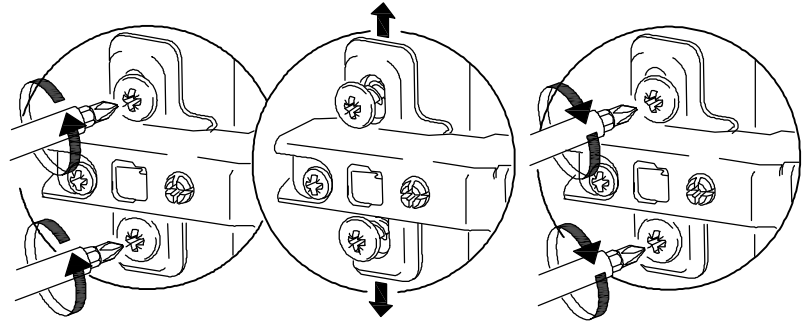
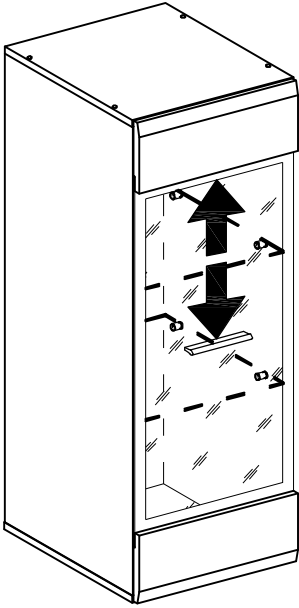
40



41

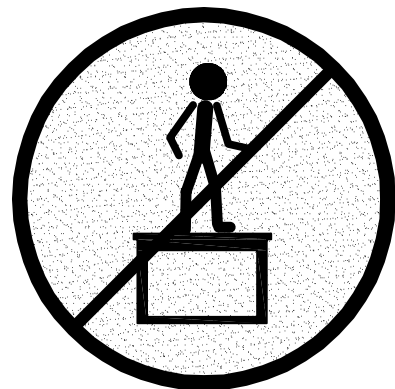
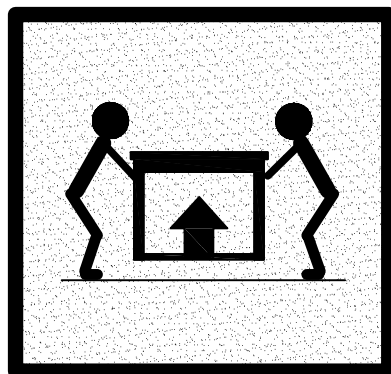
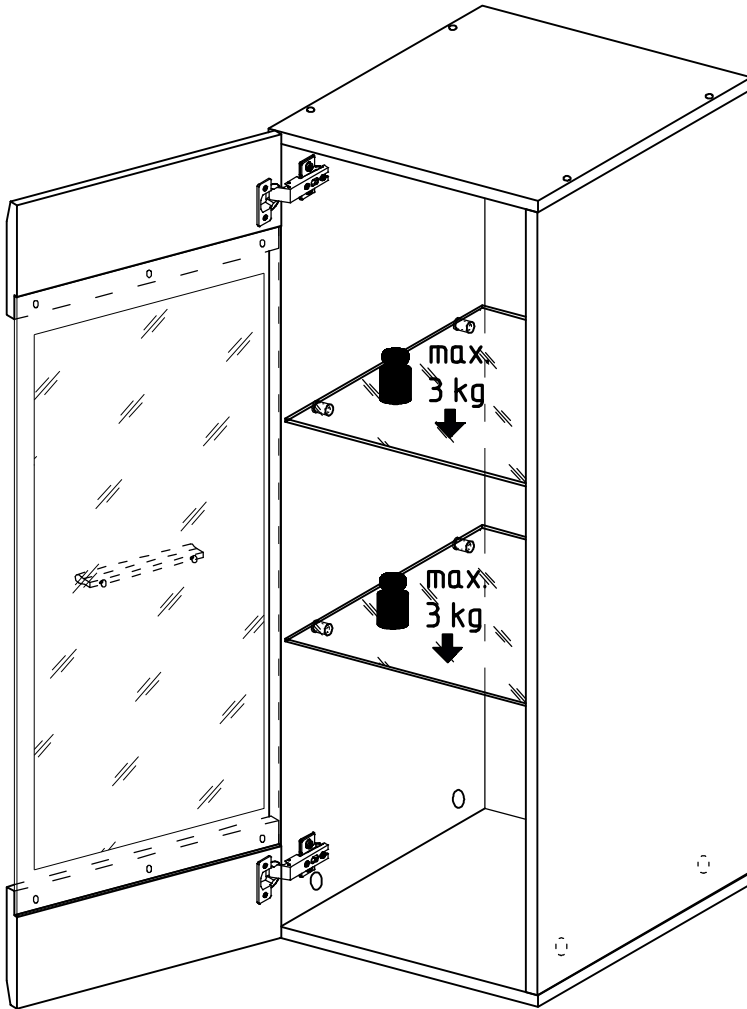
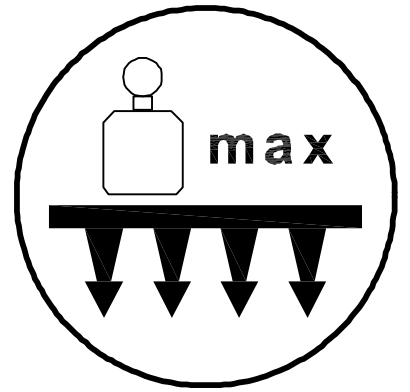
D

TOKYO



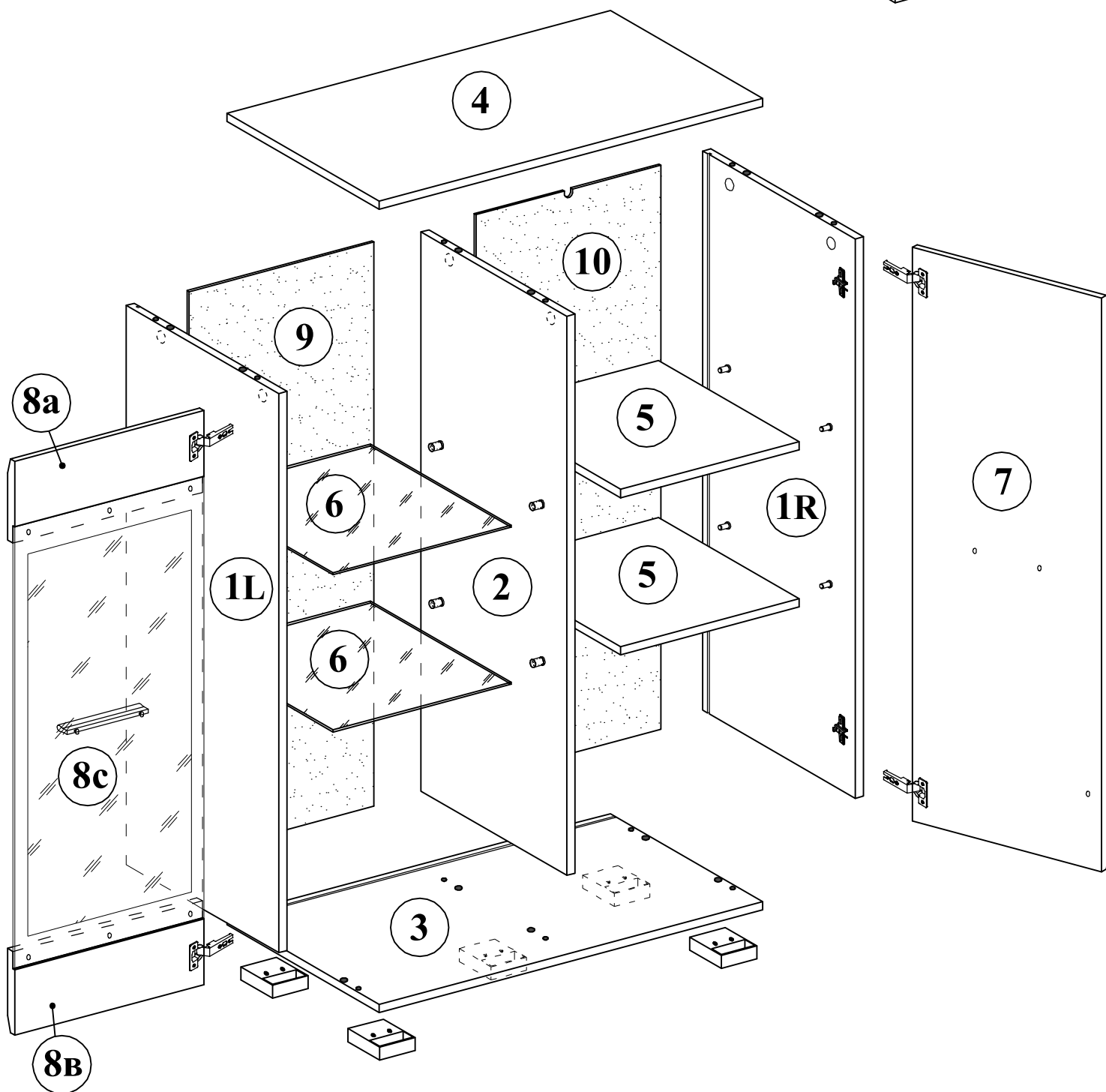
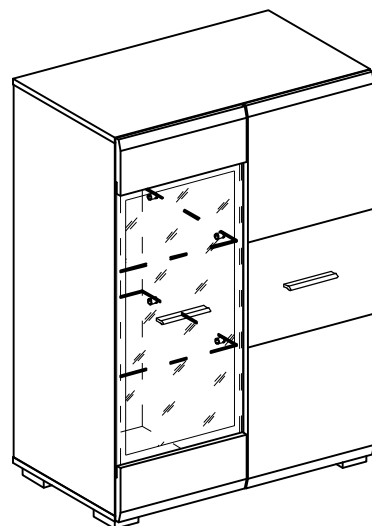
C




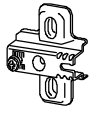
TOKYO



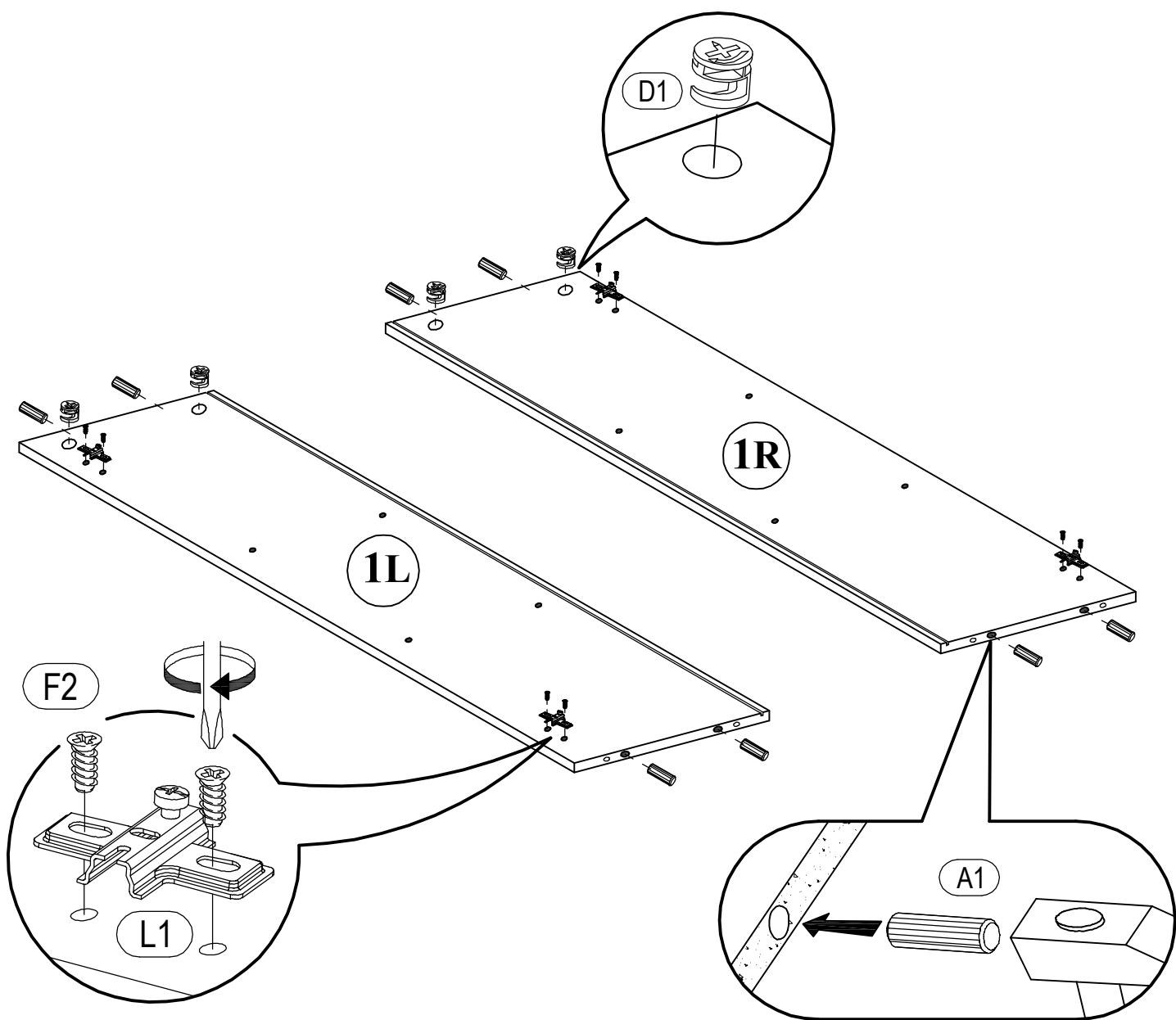
E


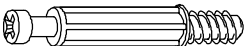

TOKYO



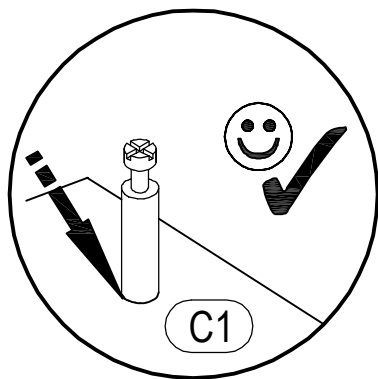
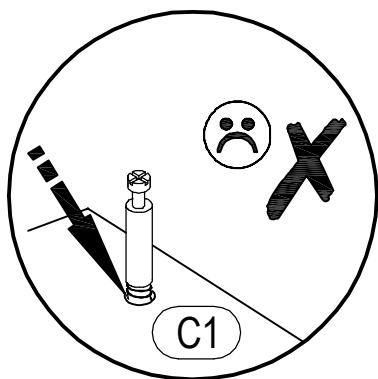
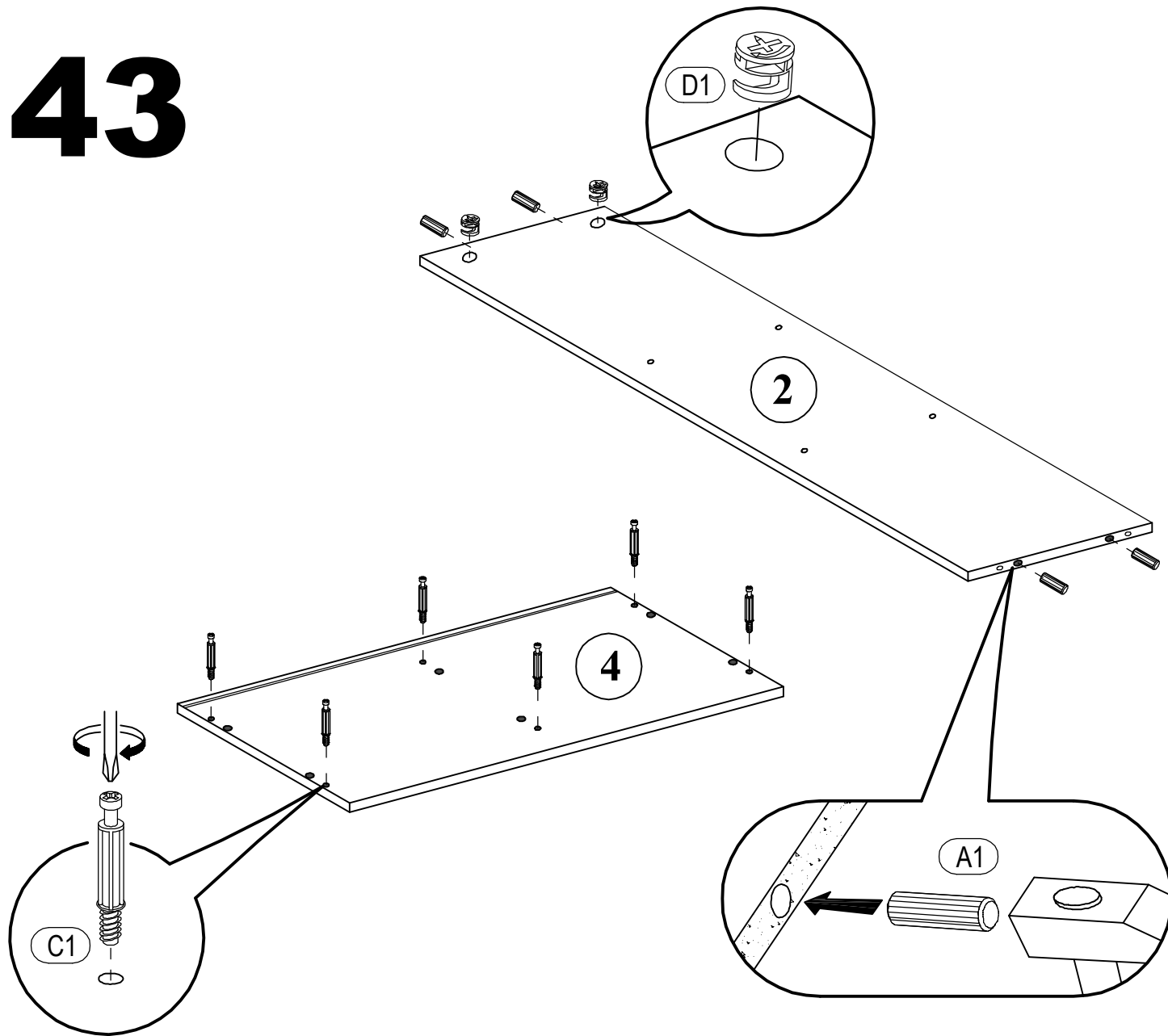
 <p>A1 8*30mm x8</p>	 <p>D1 16mm x4</p>	 <p>F2 6,3*13mm x8</p>
		 <p>L1 x4</p>

42



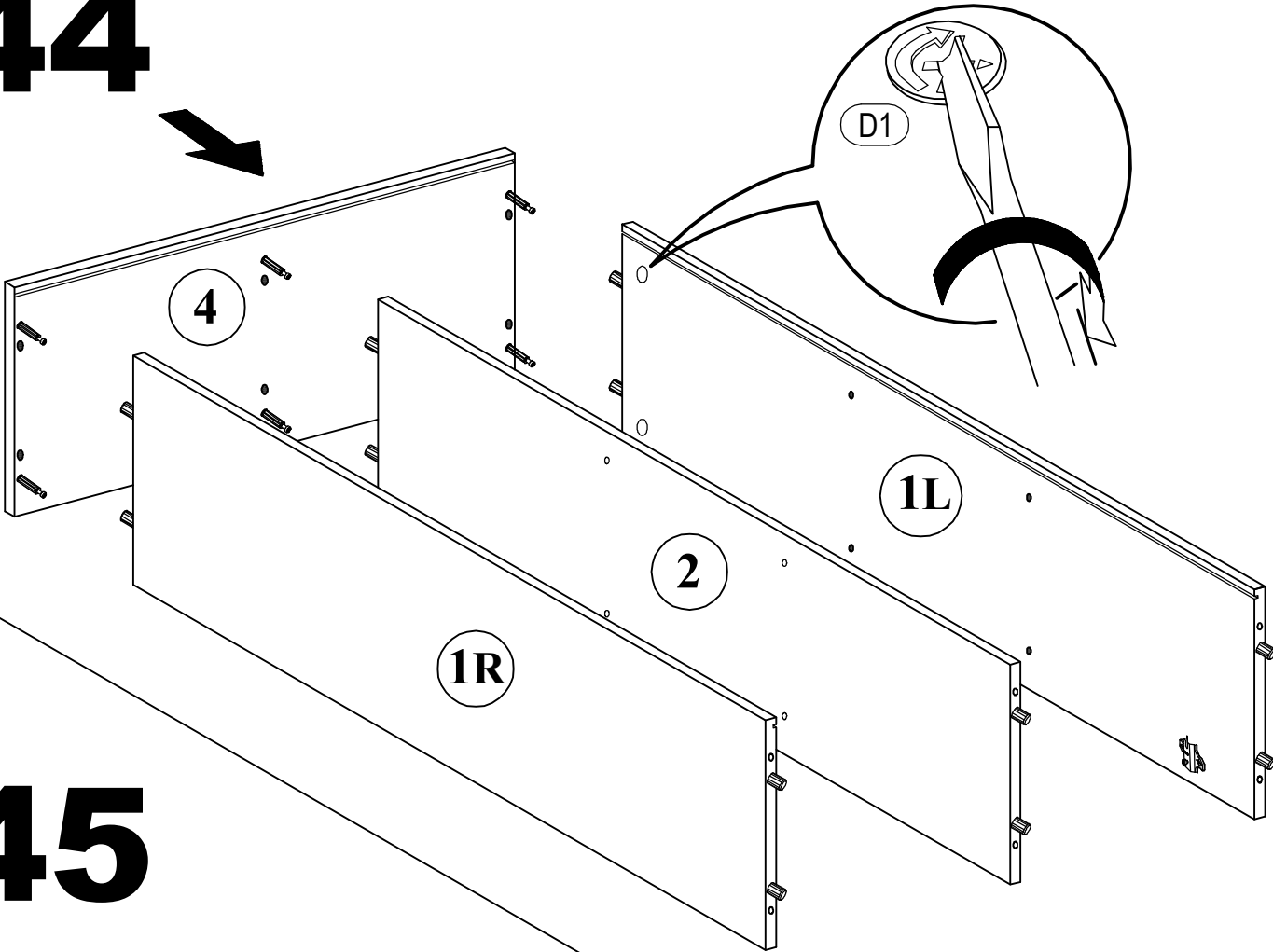
 A1 8*30mm x4	 C1 5*30mm x6	 D1 16mm x2
---	--	---

43

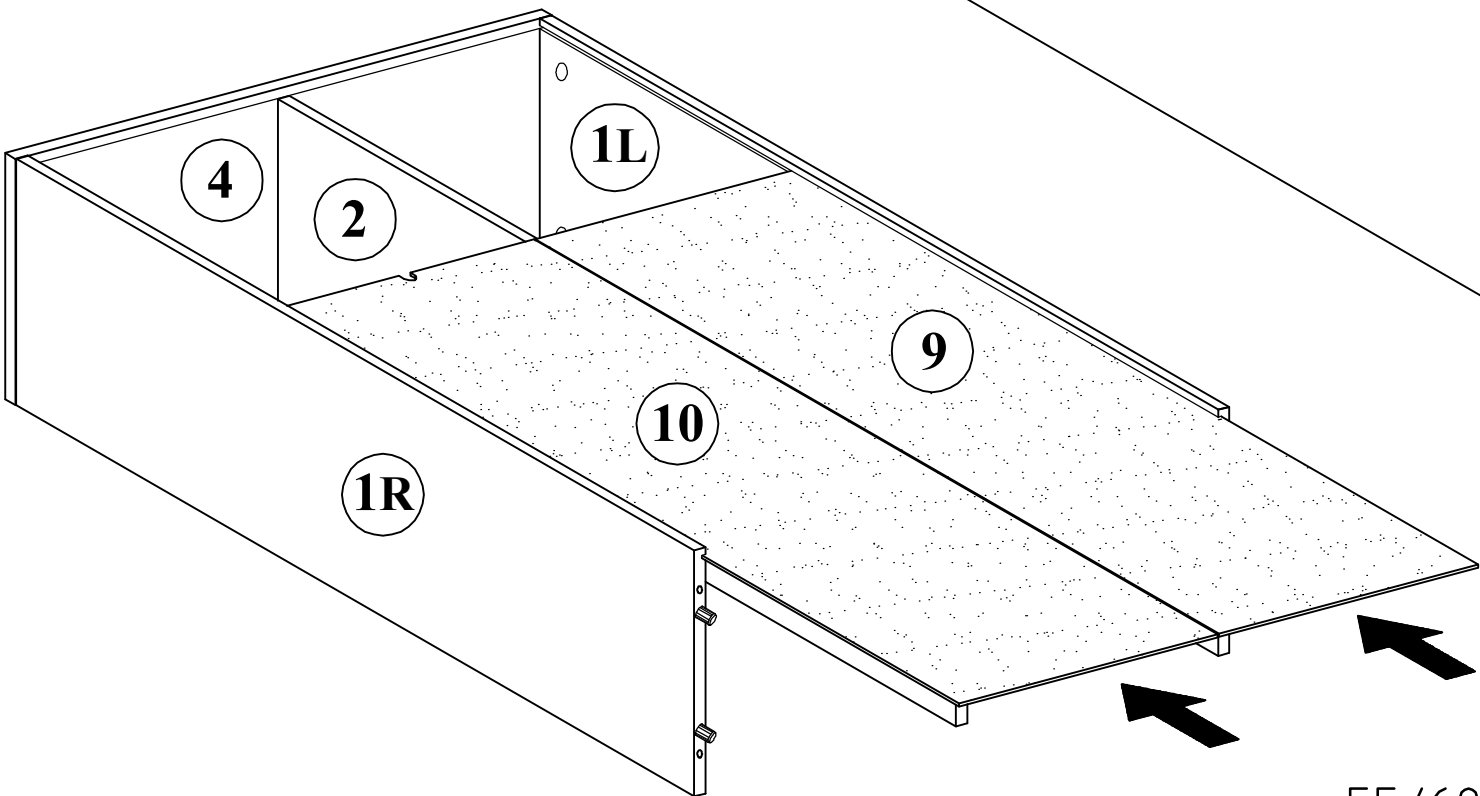


E

44

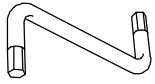


45

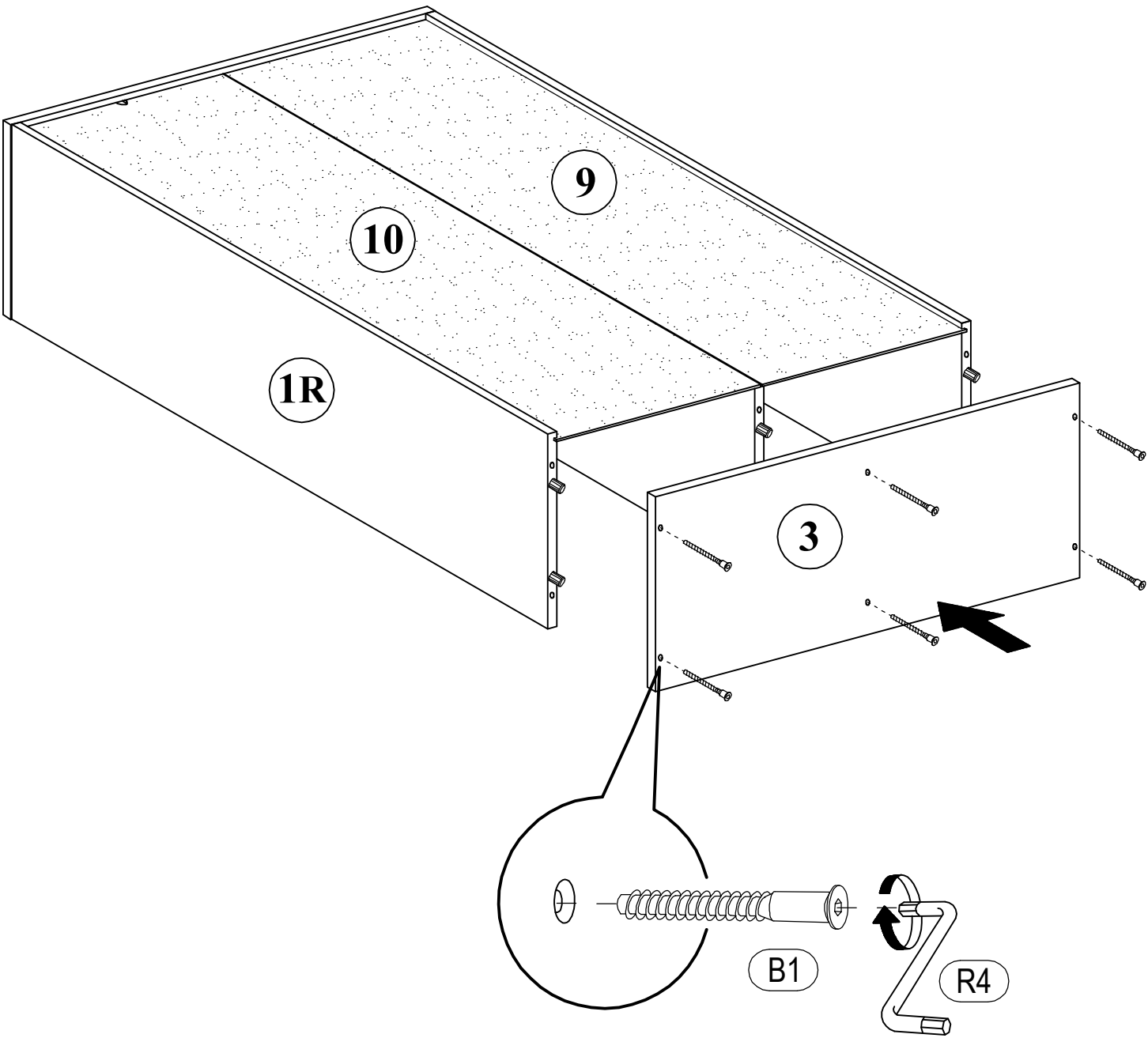





E

TOKYO

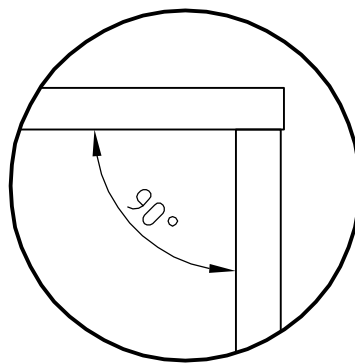
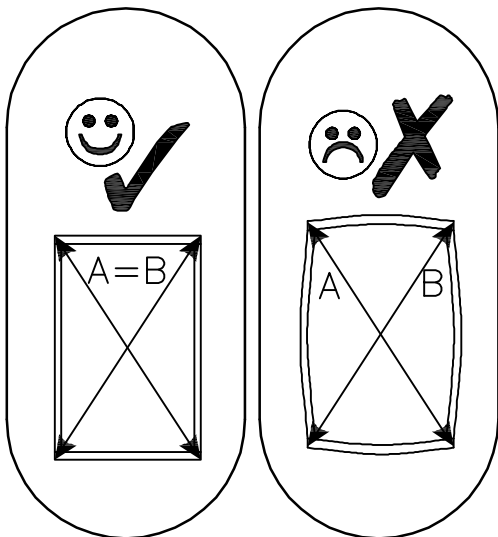
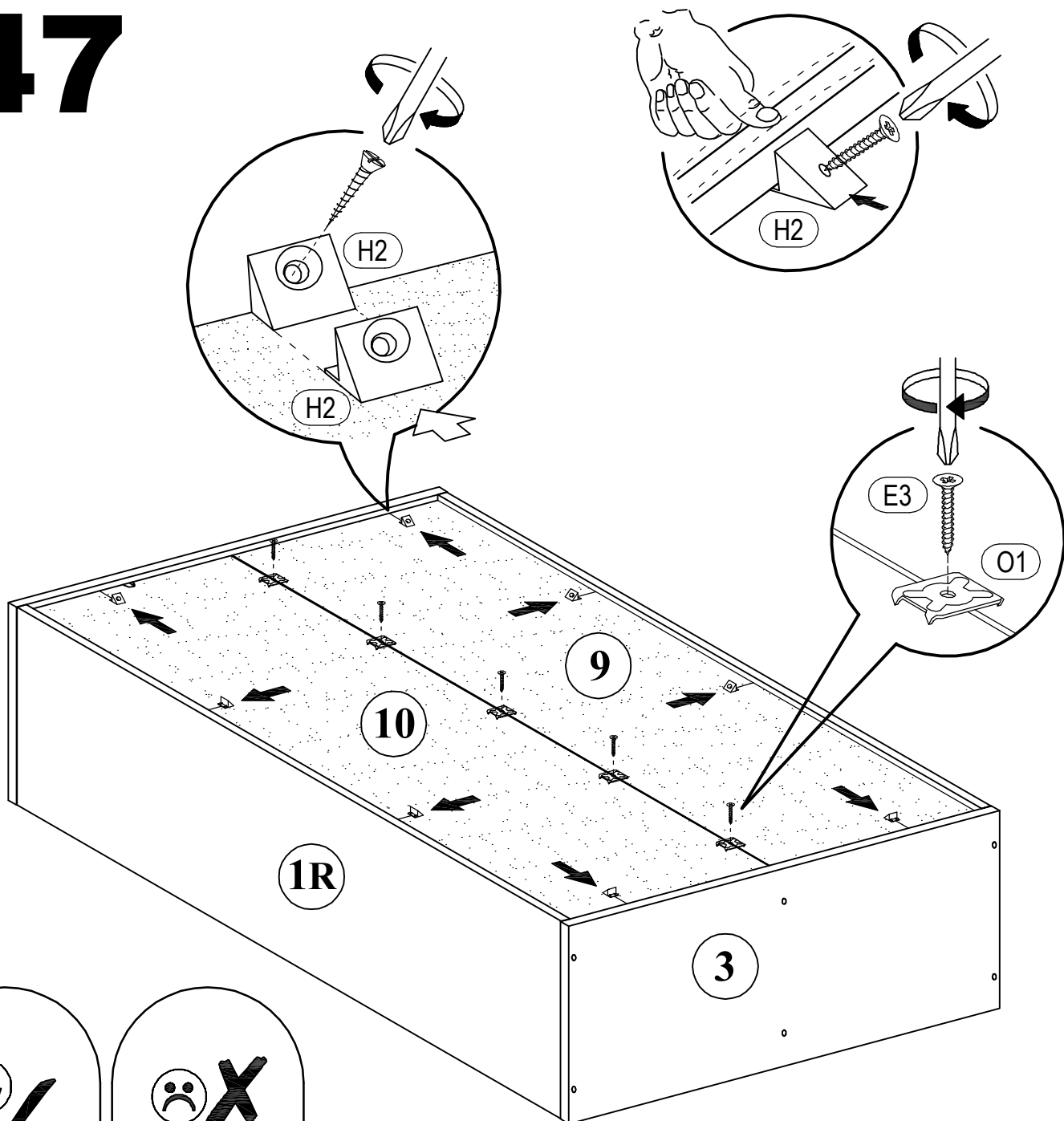
	
B1 6,3*50mm x6	R4 N°4 x1

46




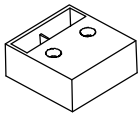
 E3 3*20mm x5	 H2 x8	 O1 x5
---	--	--

47

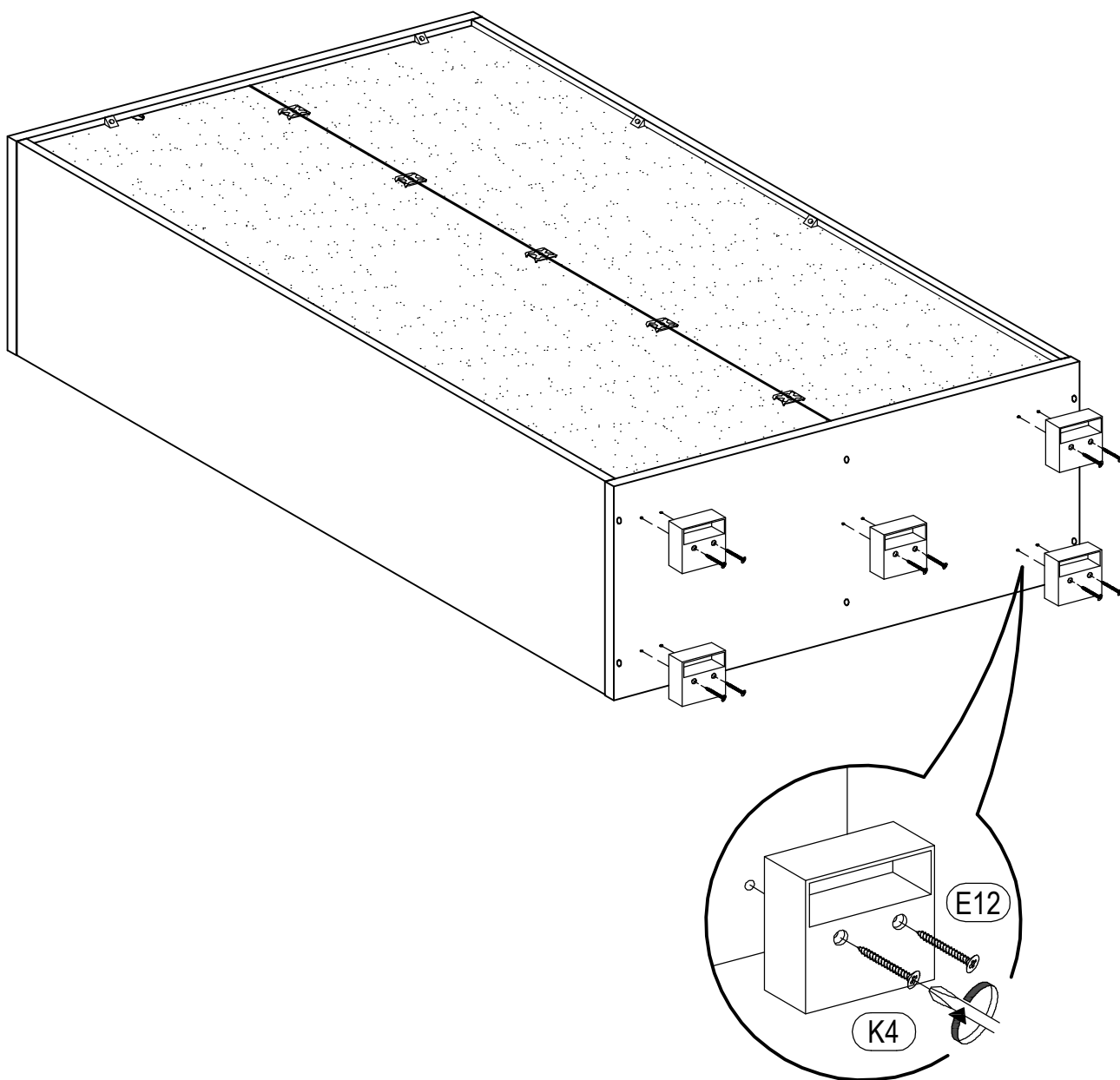




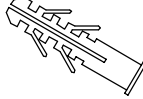
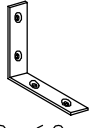
E

TOKYO

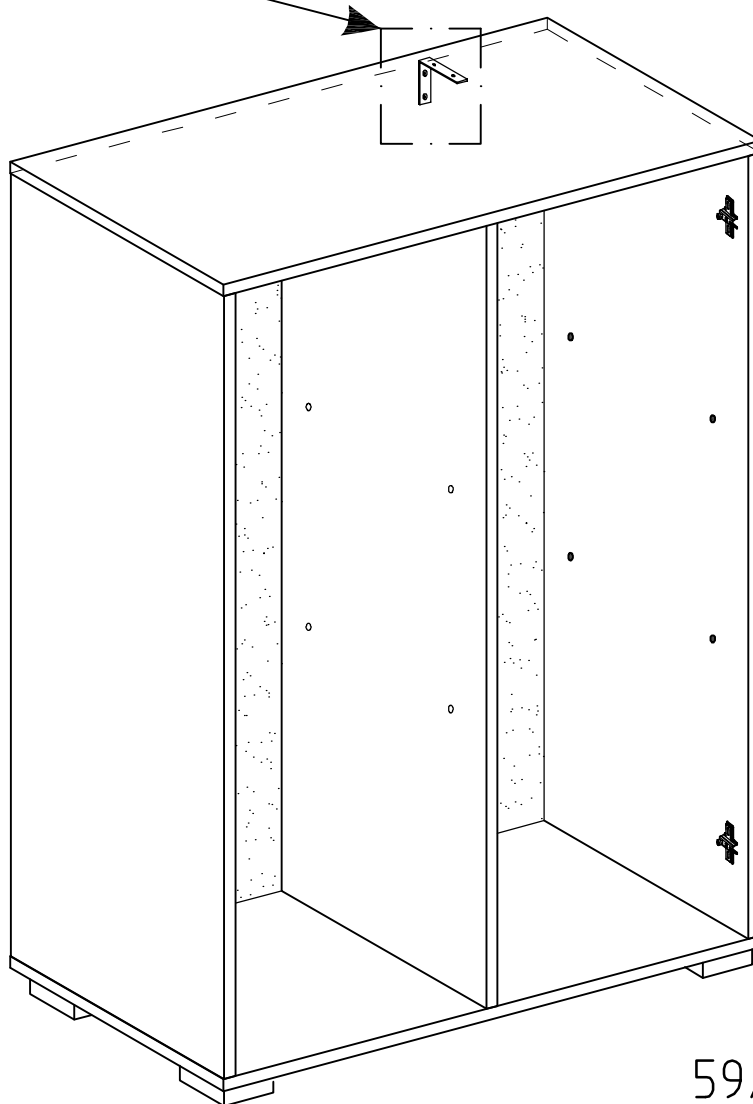
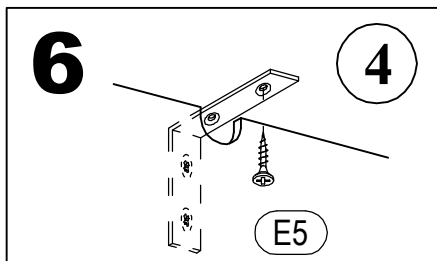
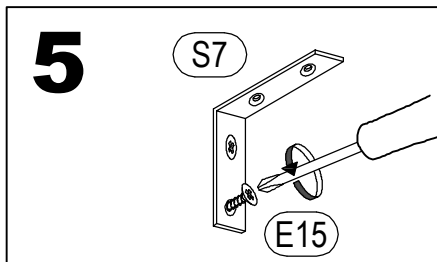
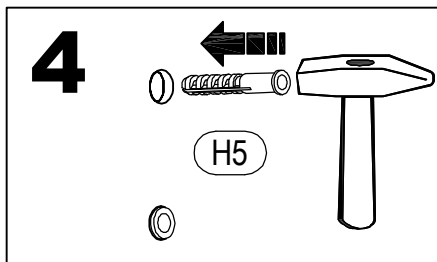
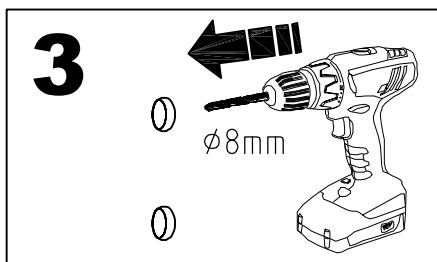
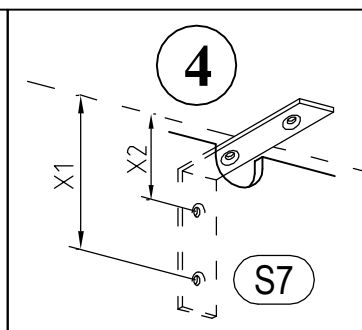
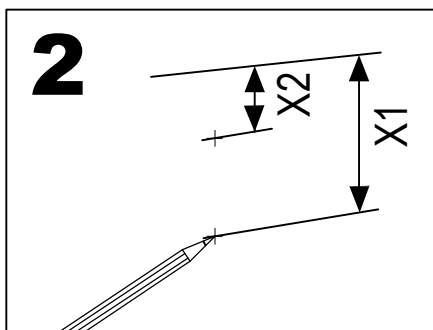
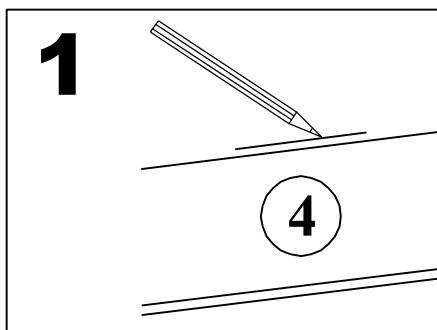
	
(E12) 4*35mm x10	(K4) x5

48


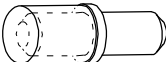


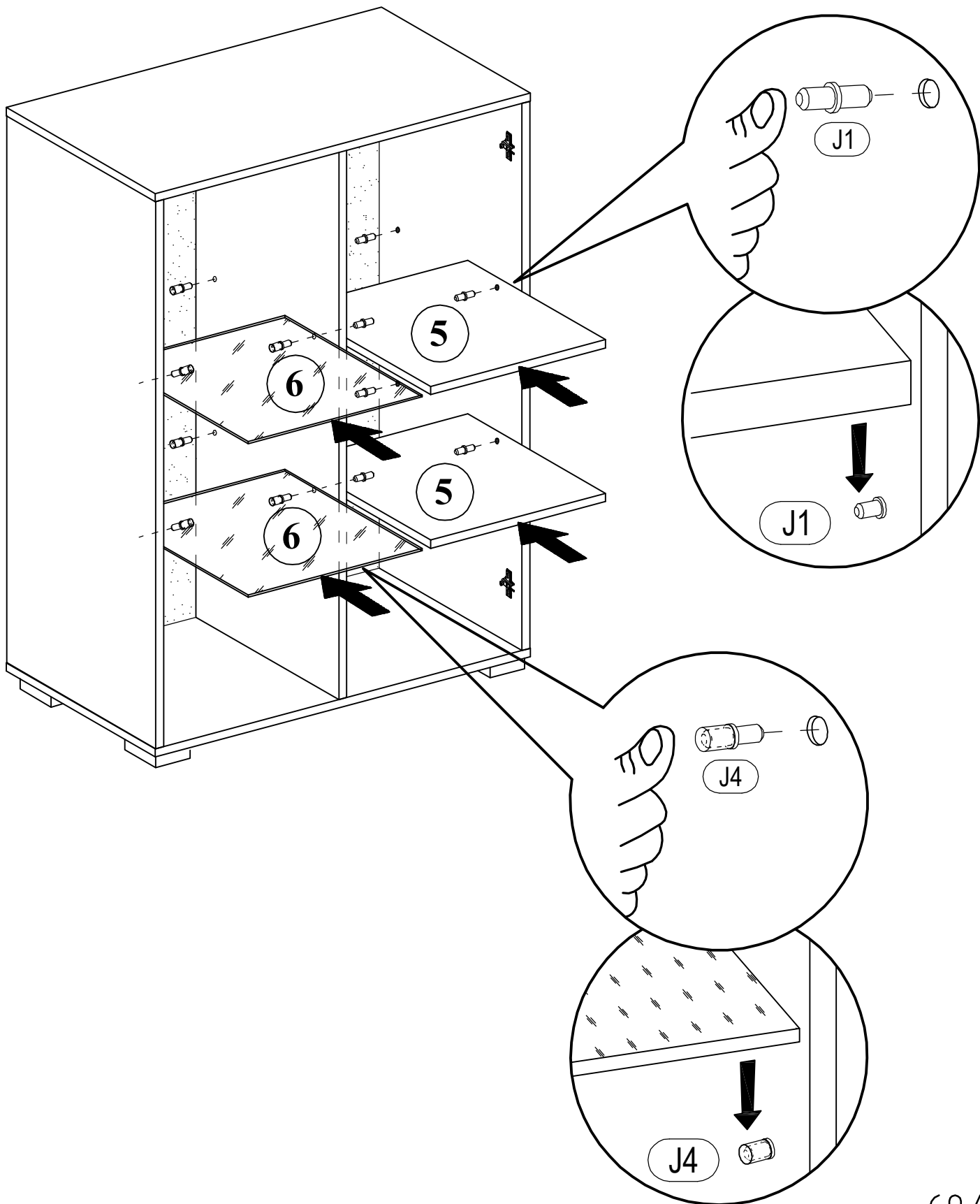
 E4 3,5*16 x1	 E15 4*60mm x2	 H5 8*50mm x2
		 S7 60x60x15 x1

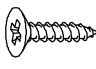
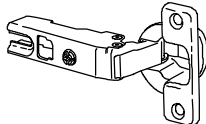
49



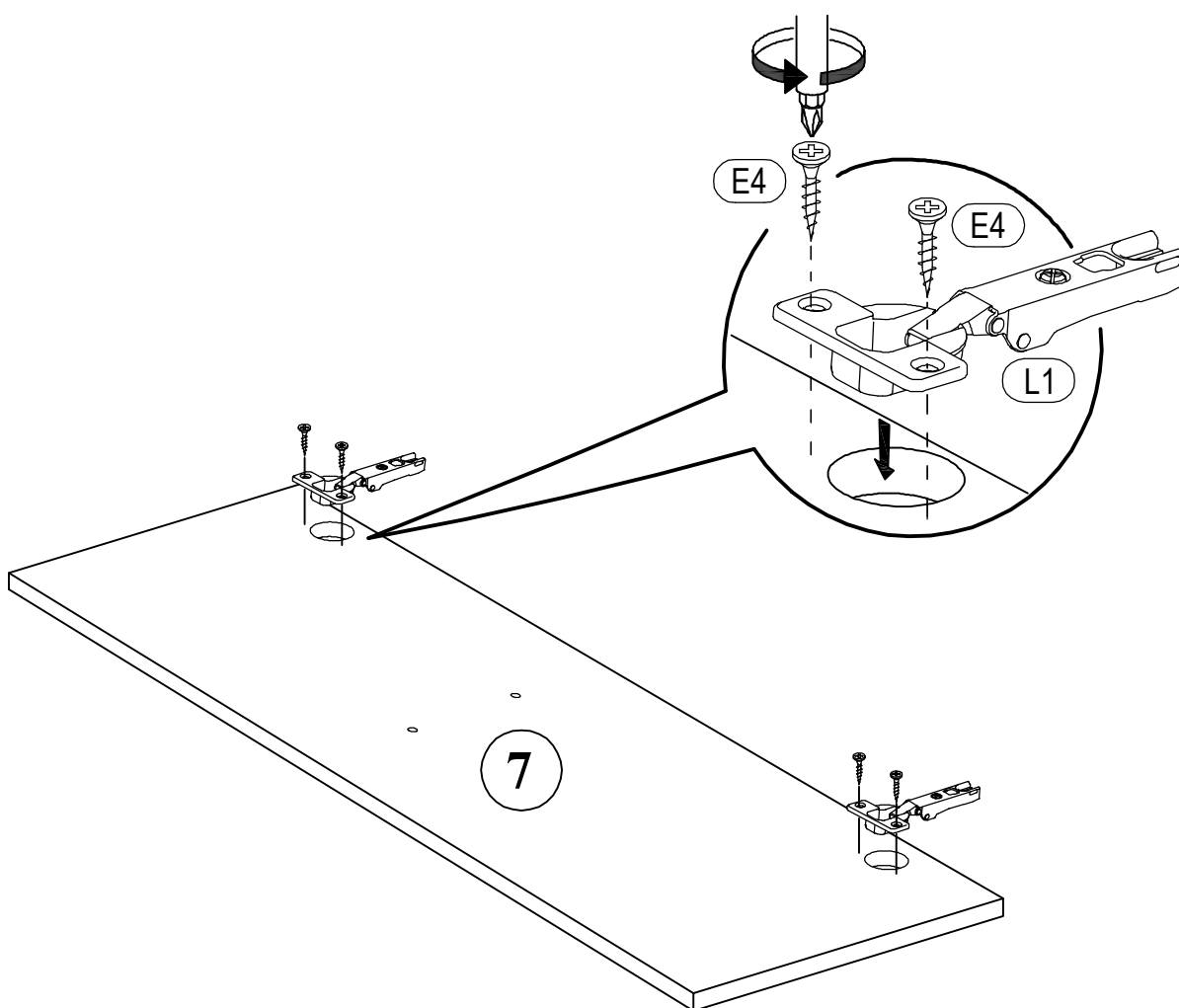
50


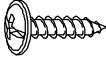
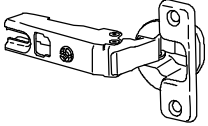

	
(J1) 5*16mm x8	(J4) 5*16mm x8



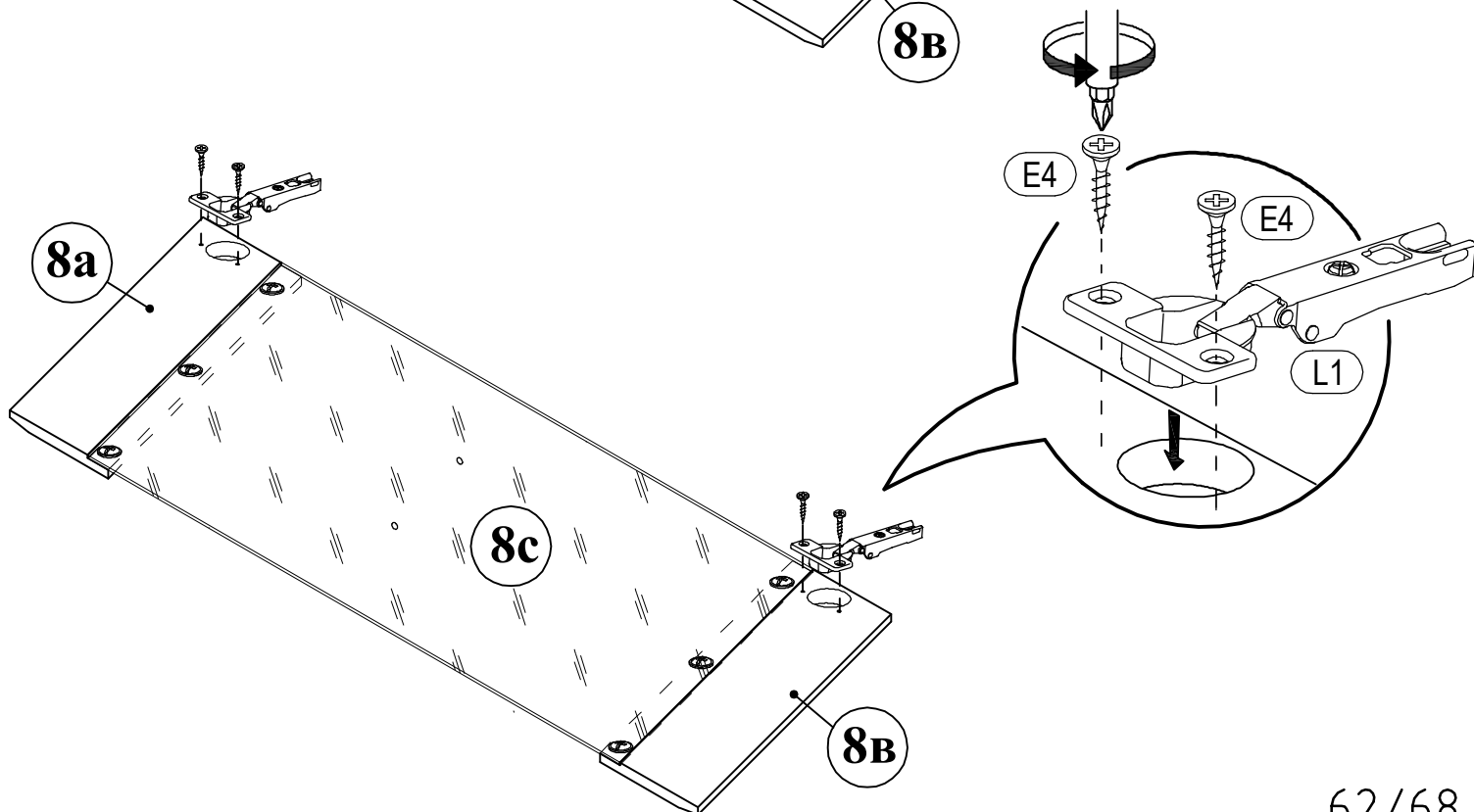
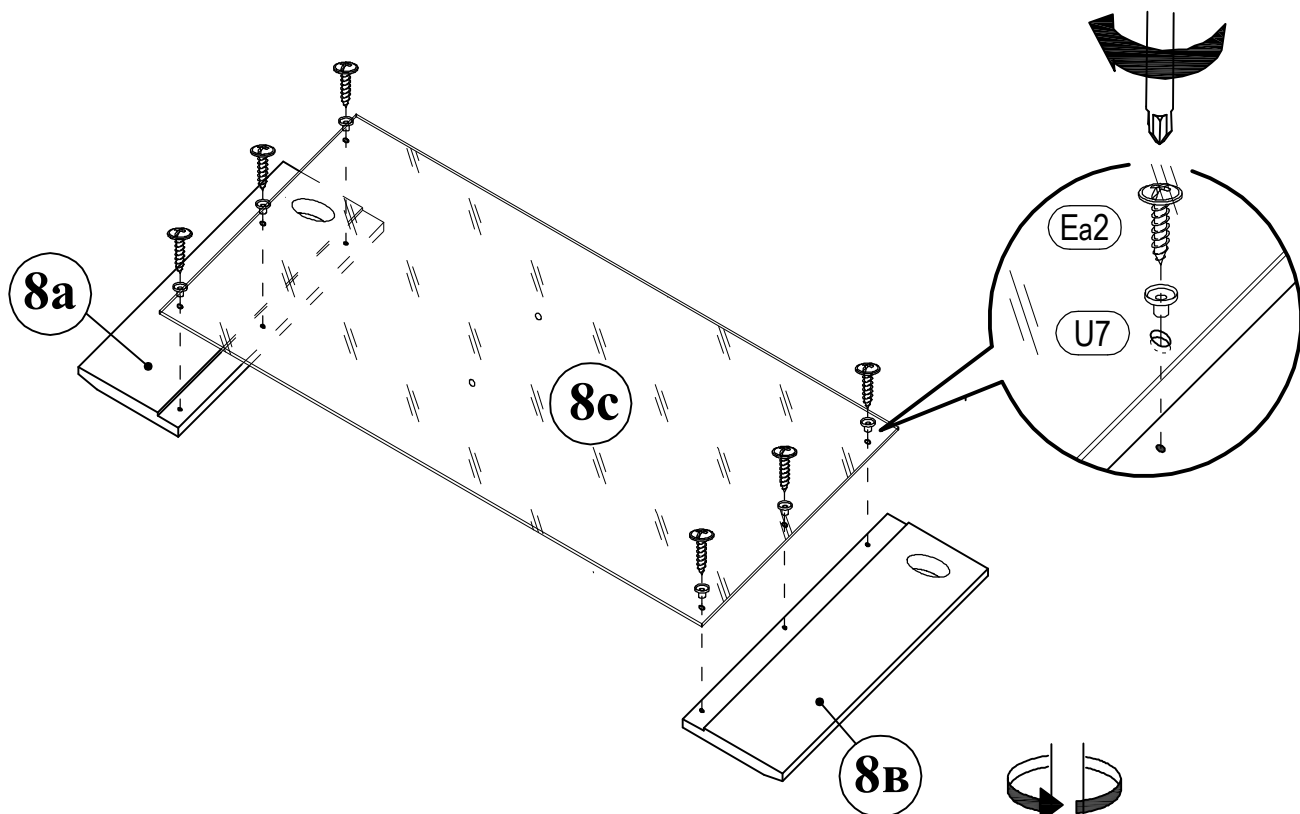
 <p>(E4) 3,5*16 x4</p>	 <p>(L1) x2</p>
---	--

51

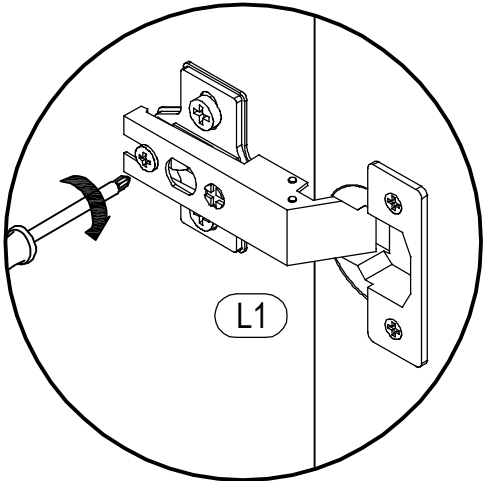
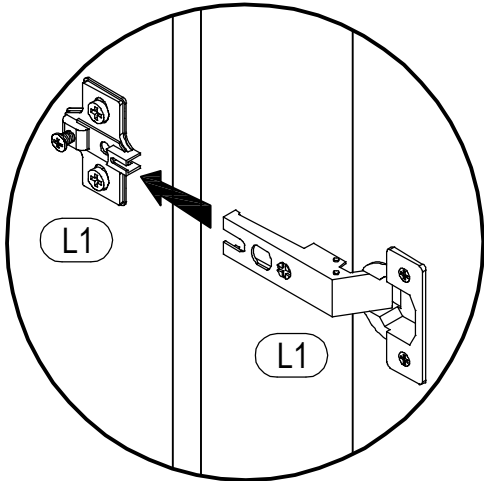
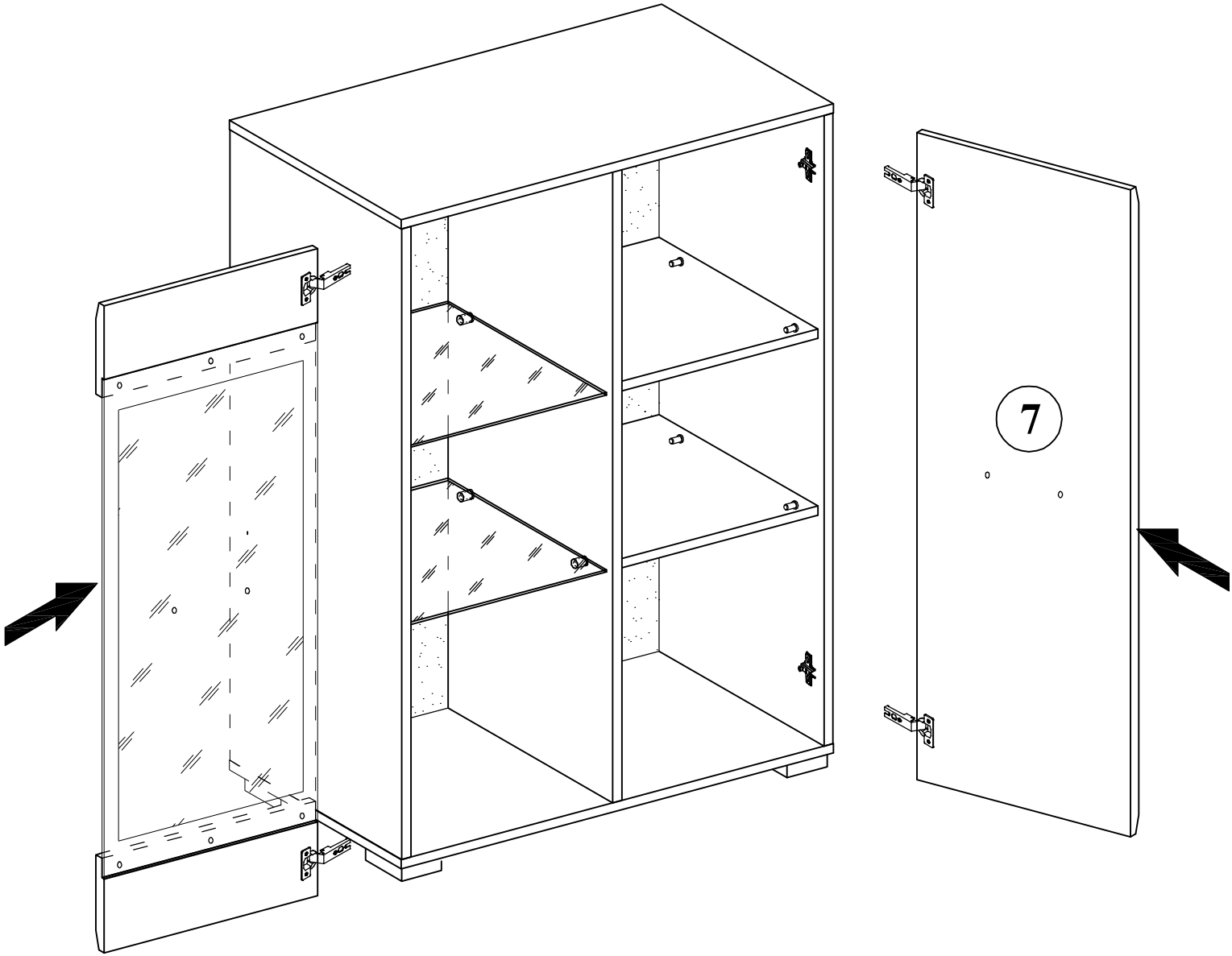



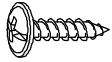
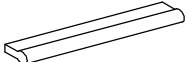

 E4 3,5*16 x4	 Ea2 4,2*16mm x6	 L1 x2
		 U7 x6

52

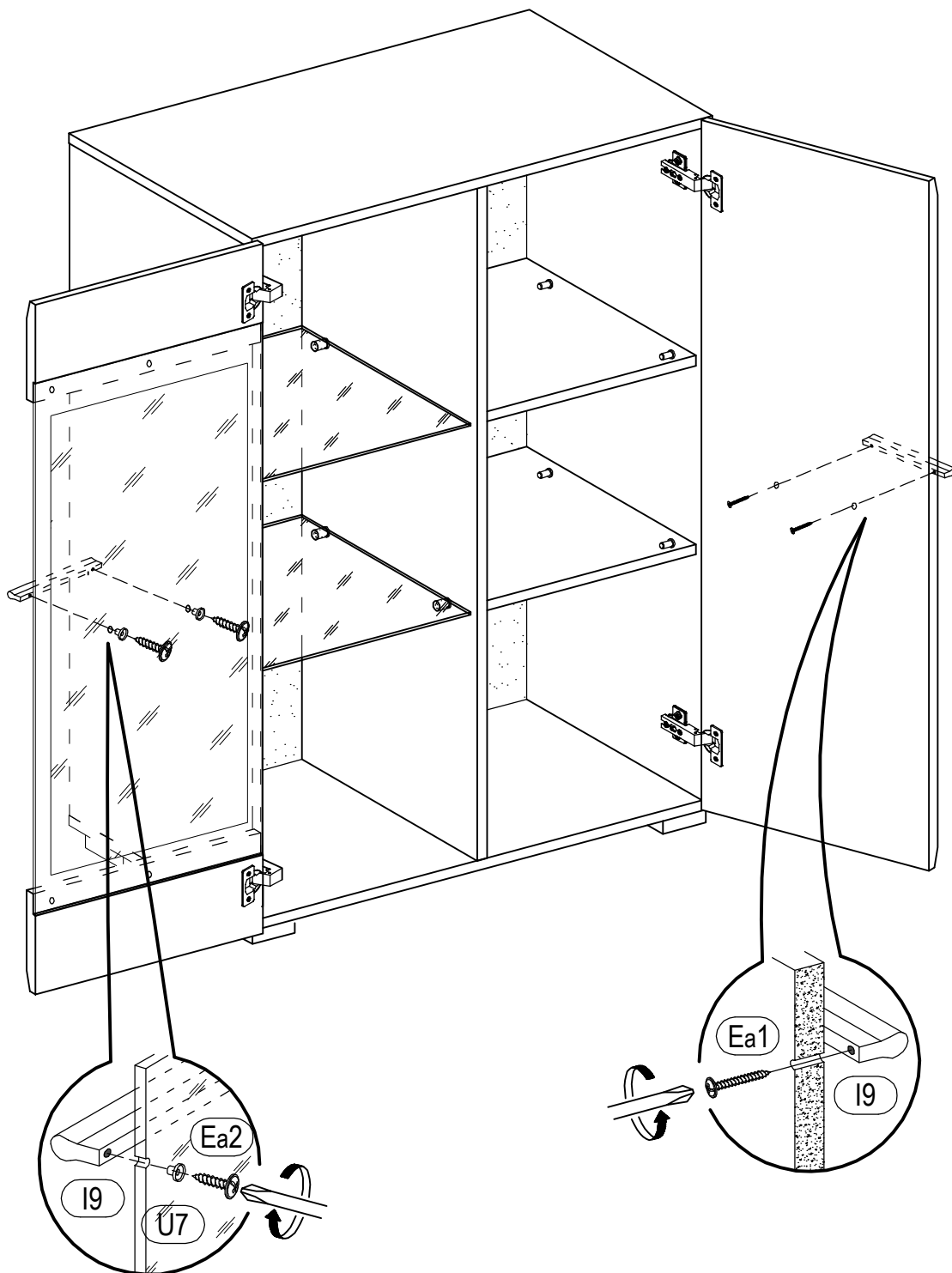



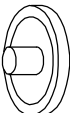

53



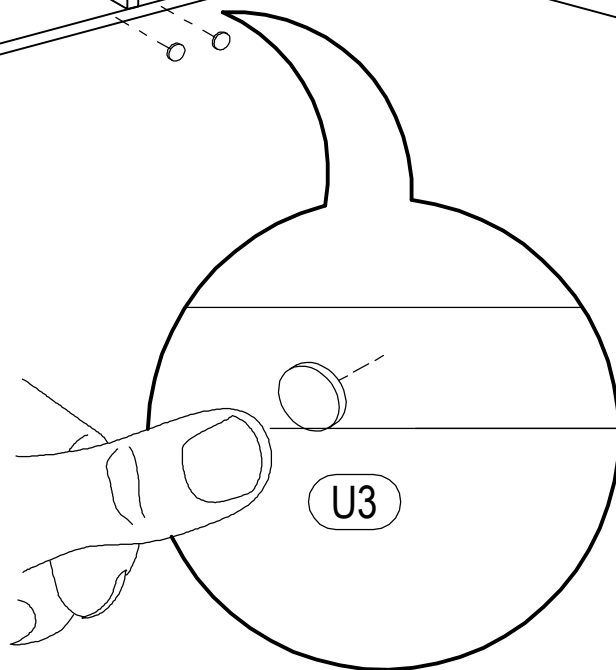
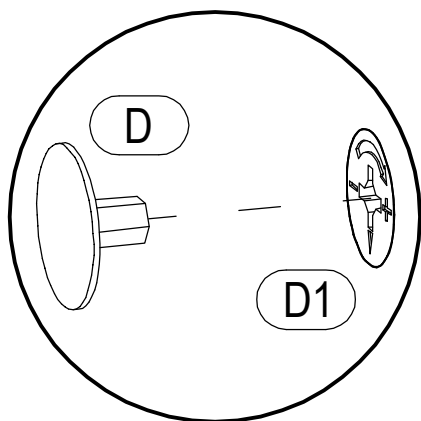
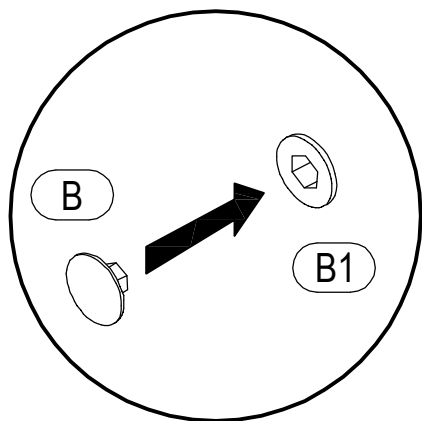
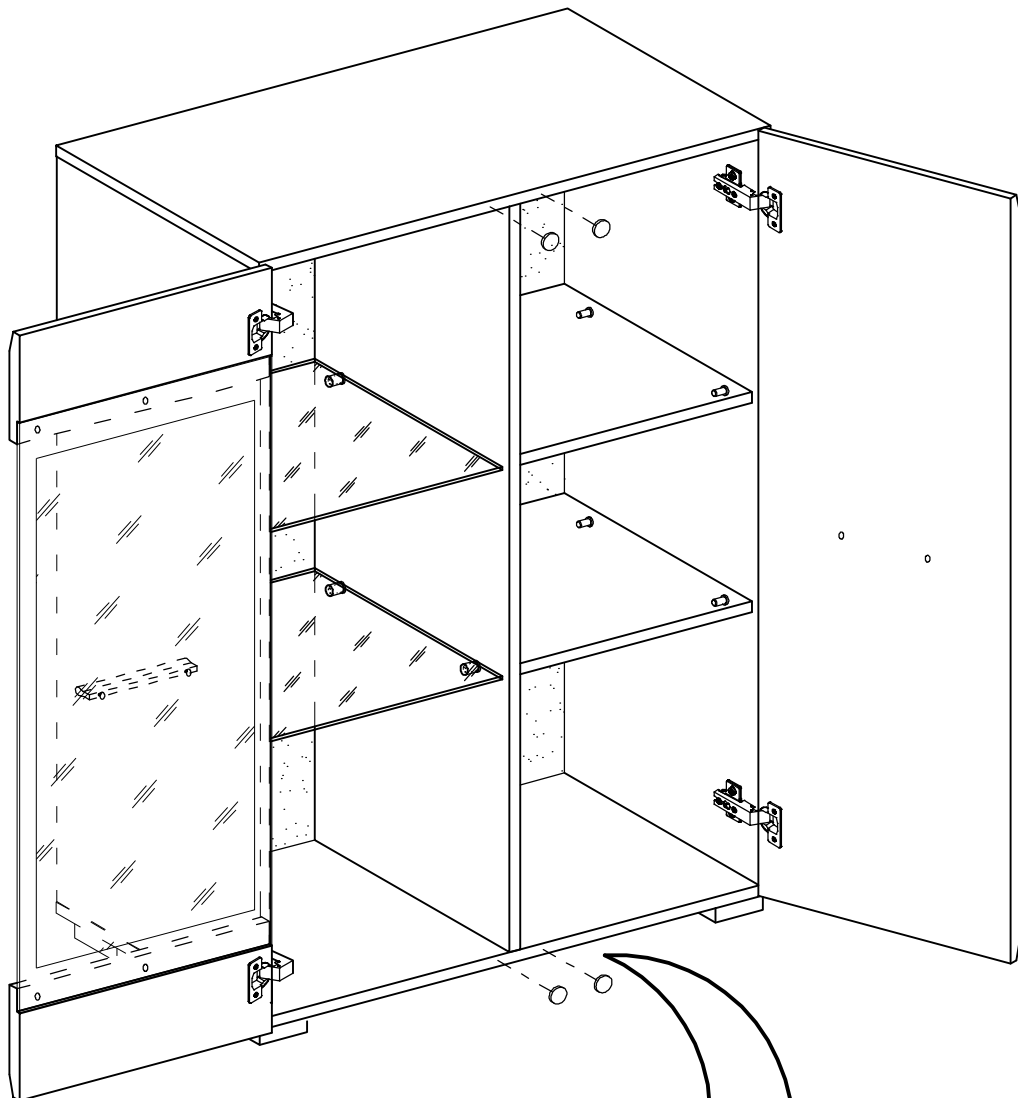
 Ea1 3,5*27mm x2	 Ea2 4,2*16mm x2	 I9 x2
		 U7 x2

54



 B	x6	 D	x6	 U3	x4
--	----	--	----	---	----

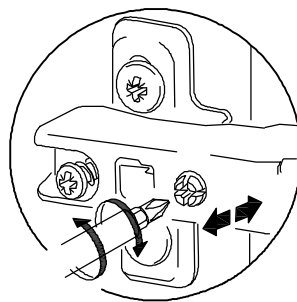
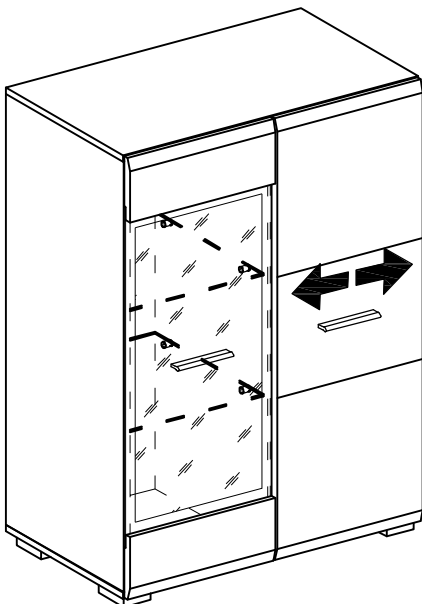
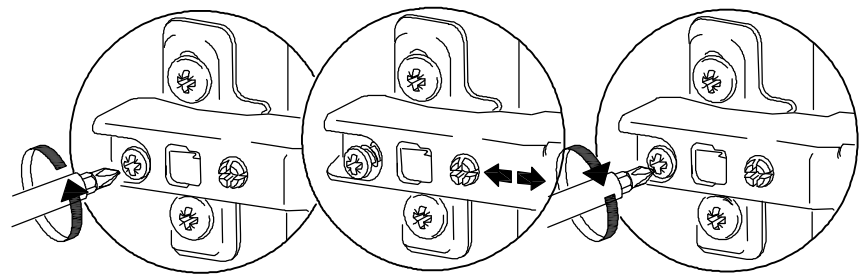
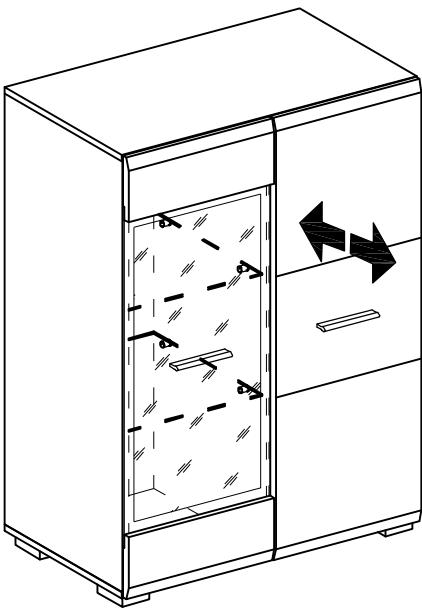
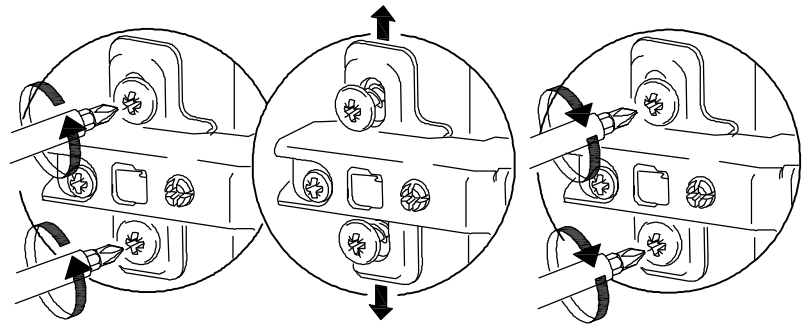
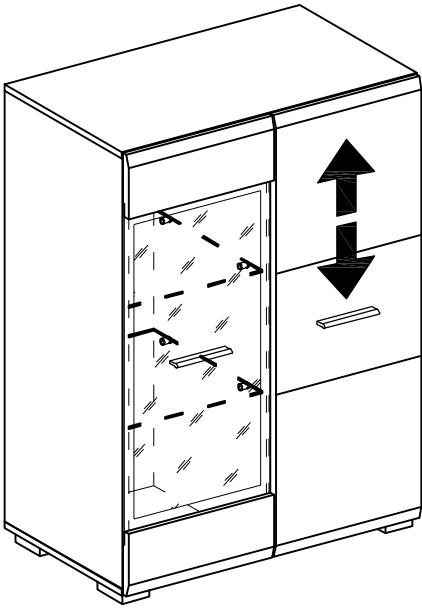
55



56

E

TOKYO



E

TOKYO

