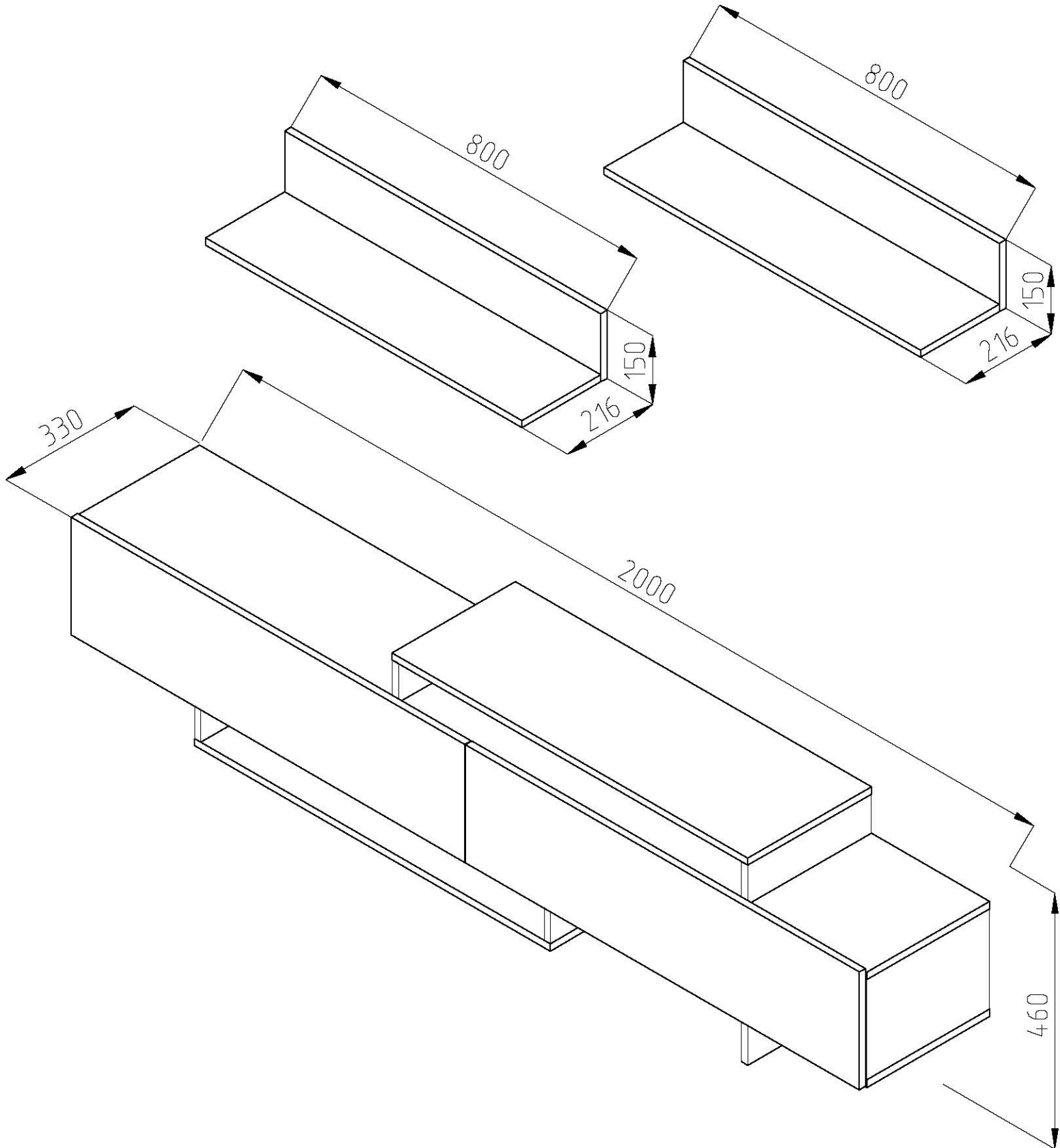
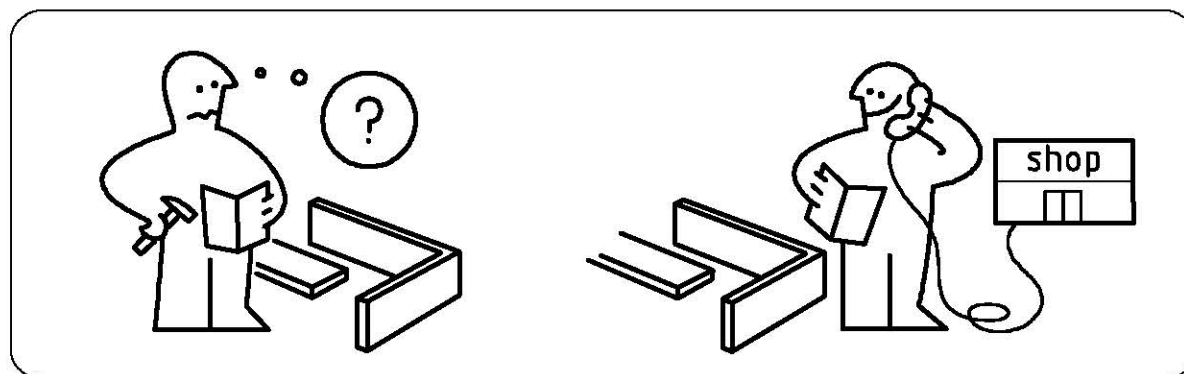
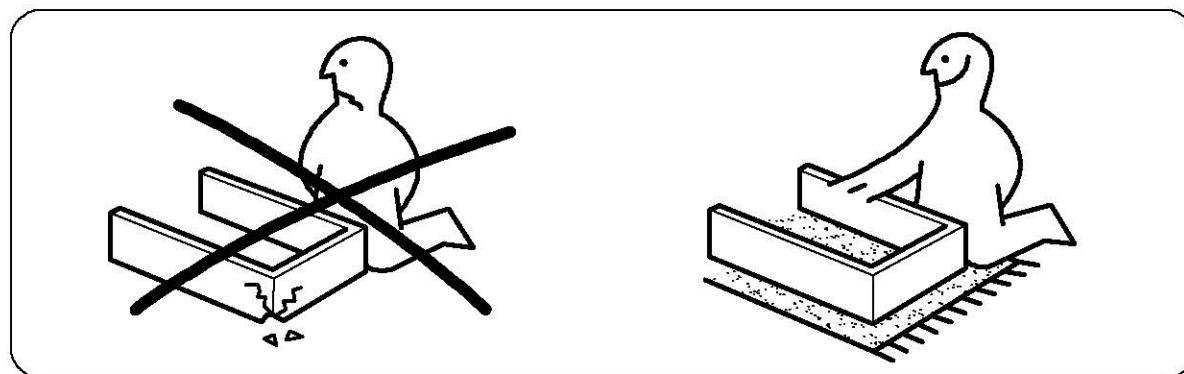
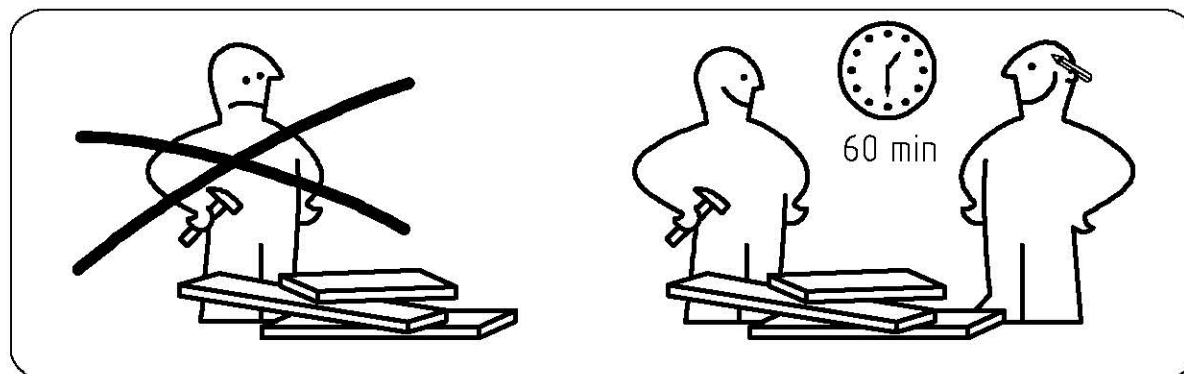
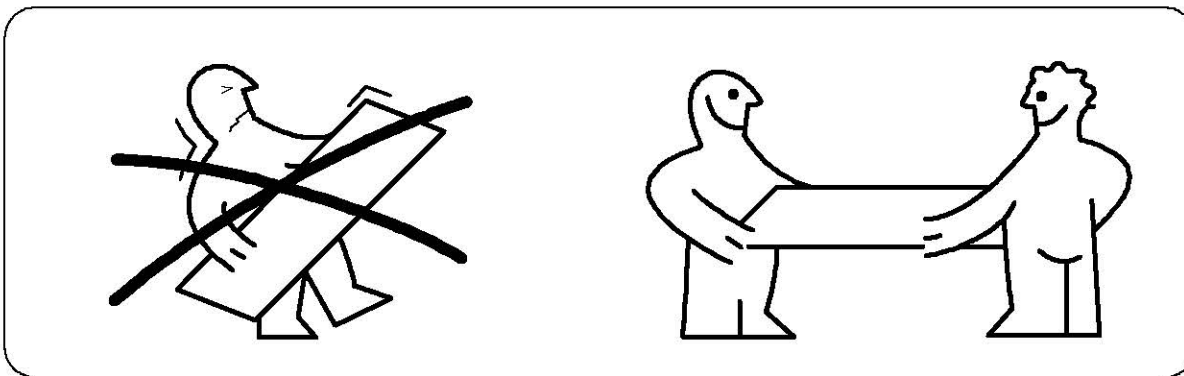
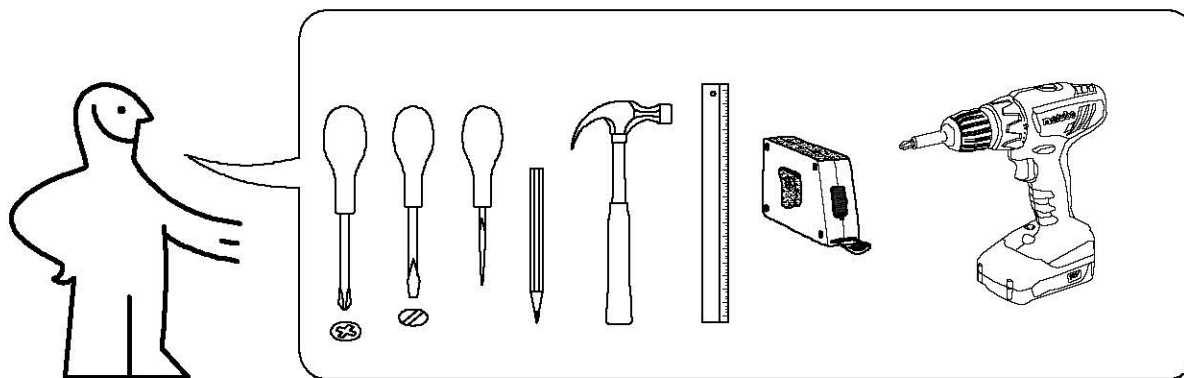
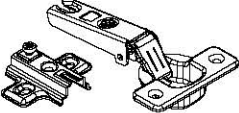
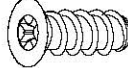
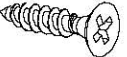
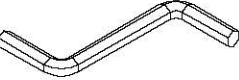
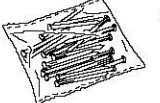

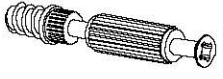
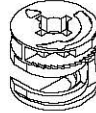
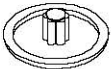
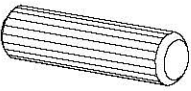
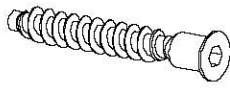

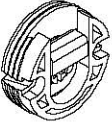
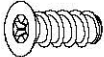


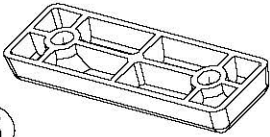


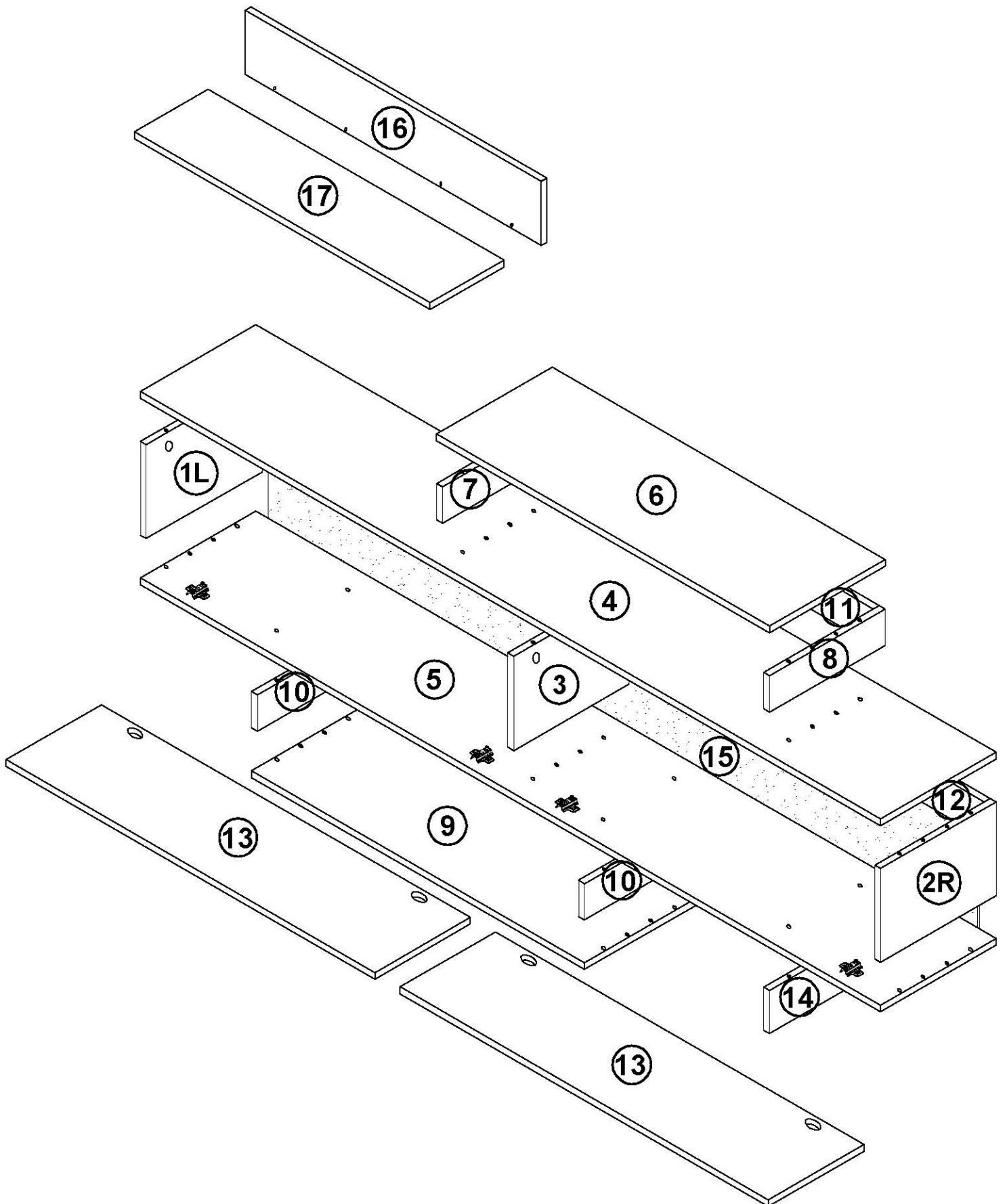
Orlando1

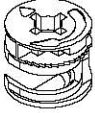
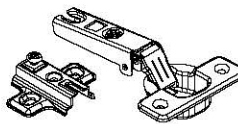
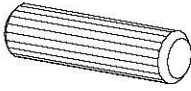
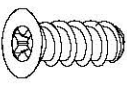
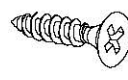


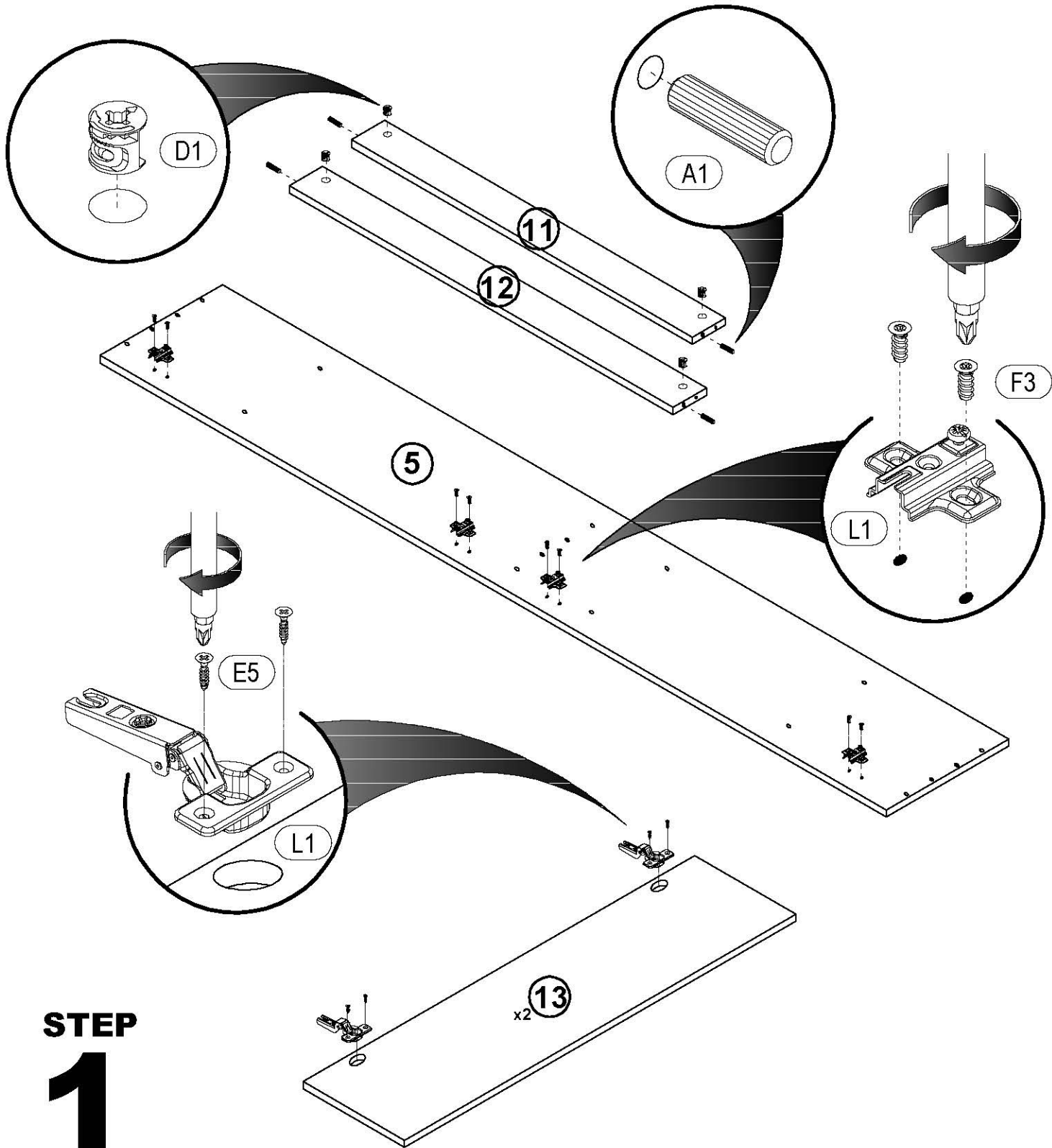


 L1 x4	 F3 6,3*13 x8	 E5 3,5x16 x20
 R4 №4 x1	 R3 20g	 U3 x4
 C1 6x43mm x14	 D1 15/16 x14	 D Ø20mm x14
 A1 8*30mm x34	 B1 x28	 B ø12mm x28
 H14 x4	 F4 5*9 x8	 H5 8*50mm x4
 E22 4,2*65mm x4	 K15 x6	

No	a*b	x	No	a*b	x
1	312x220	1	10	312x85	2
2	312x220	1	11	866x85	1
3	312x220	1	12	975x85	1
4	2000x312	1	13	996x258	2
5	2000x312	1	14	312x101	1
6	900x312	1	15	1994x248	1
7	312x85	1	16	800x150	2
8	312x85	1	17	800x200	2
9	900x312	1			

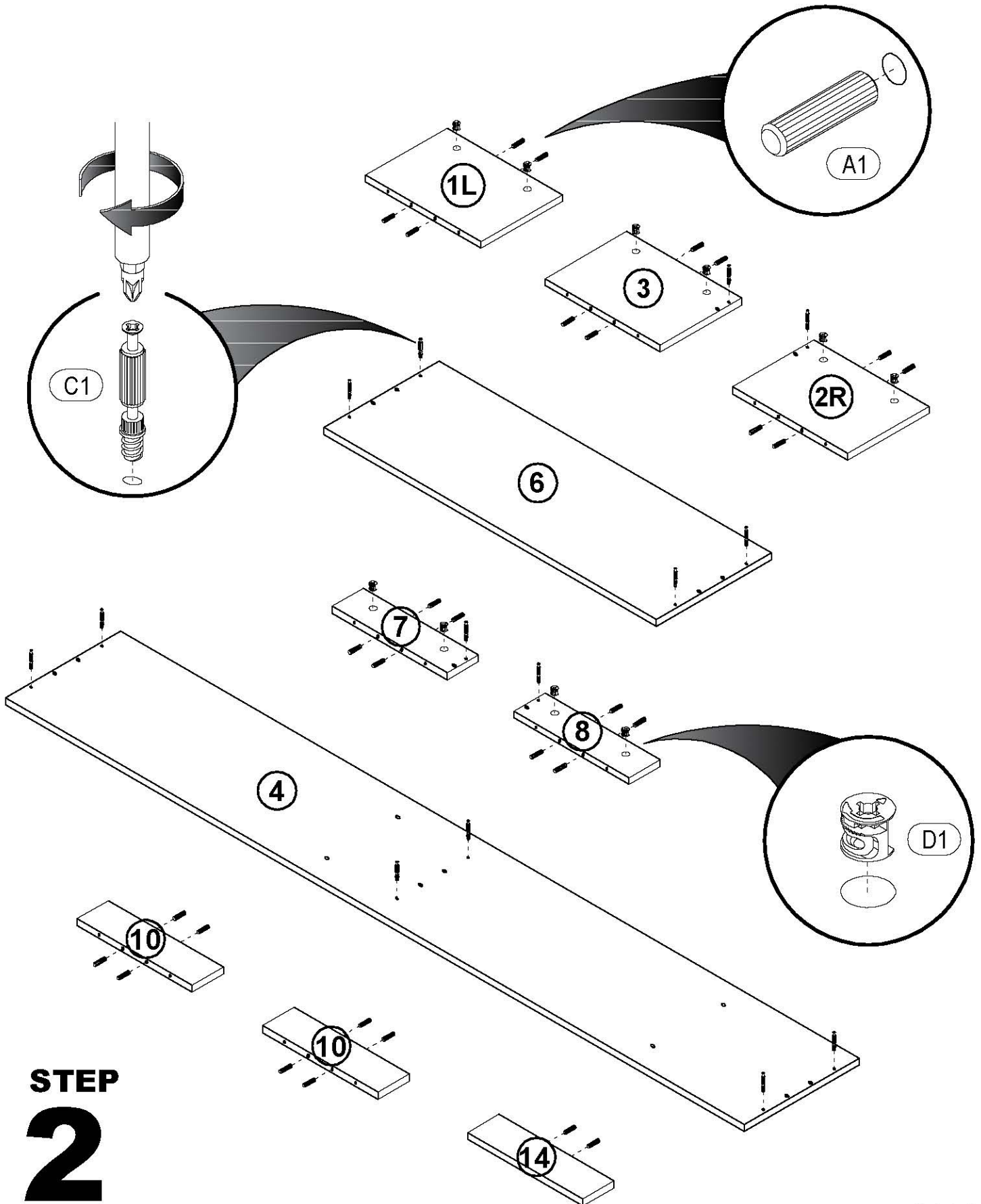


 <p>D1 15/16 x4</p>	 <p>L1 x4</p>	 <p>A1 8*30mm x4</p>
 <p>F3 6,3*13 x8</p>	 <p>E5 3,5*16 x8</p>	

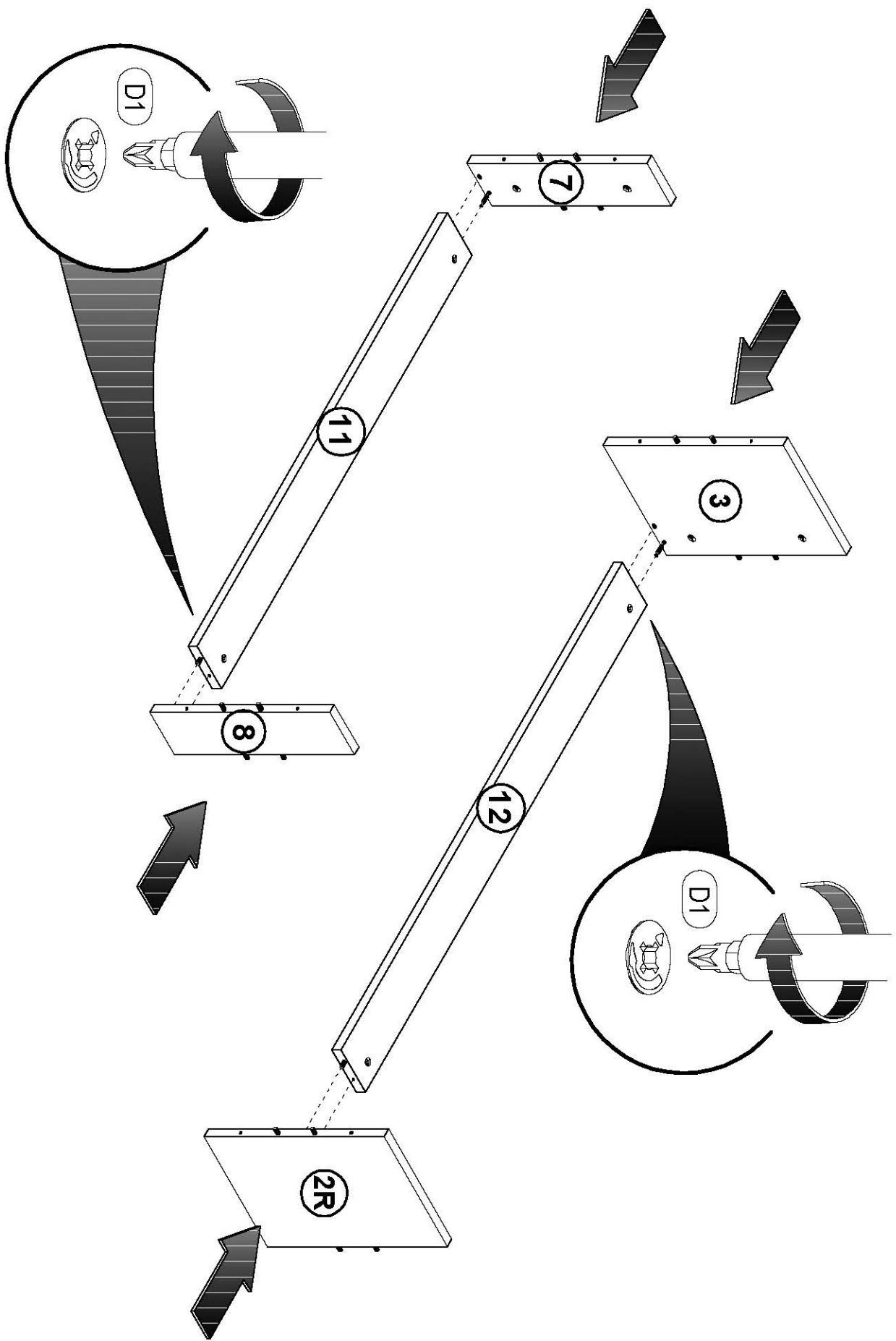


STEP
1

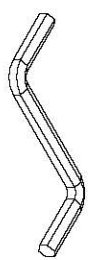
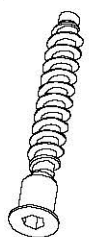
D1	15/16	x10	A1	8*30mm	x30	C1	6x43mm	x14
----	-------	-----	----	--------	-----	----	--------	-----

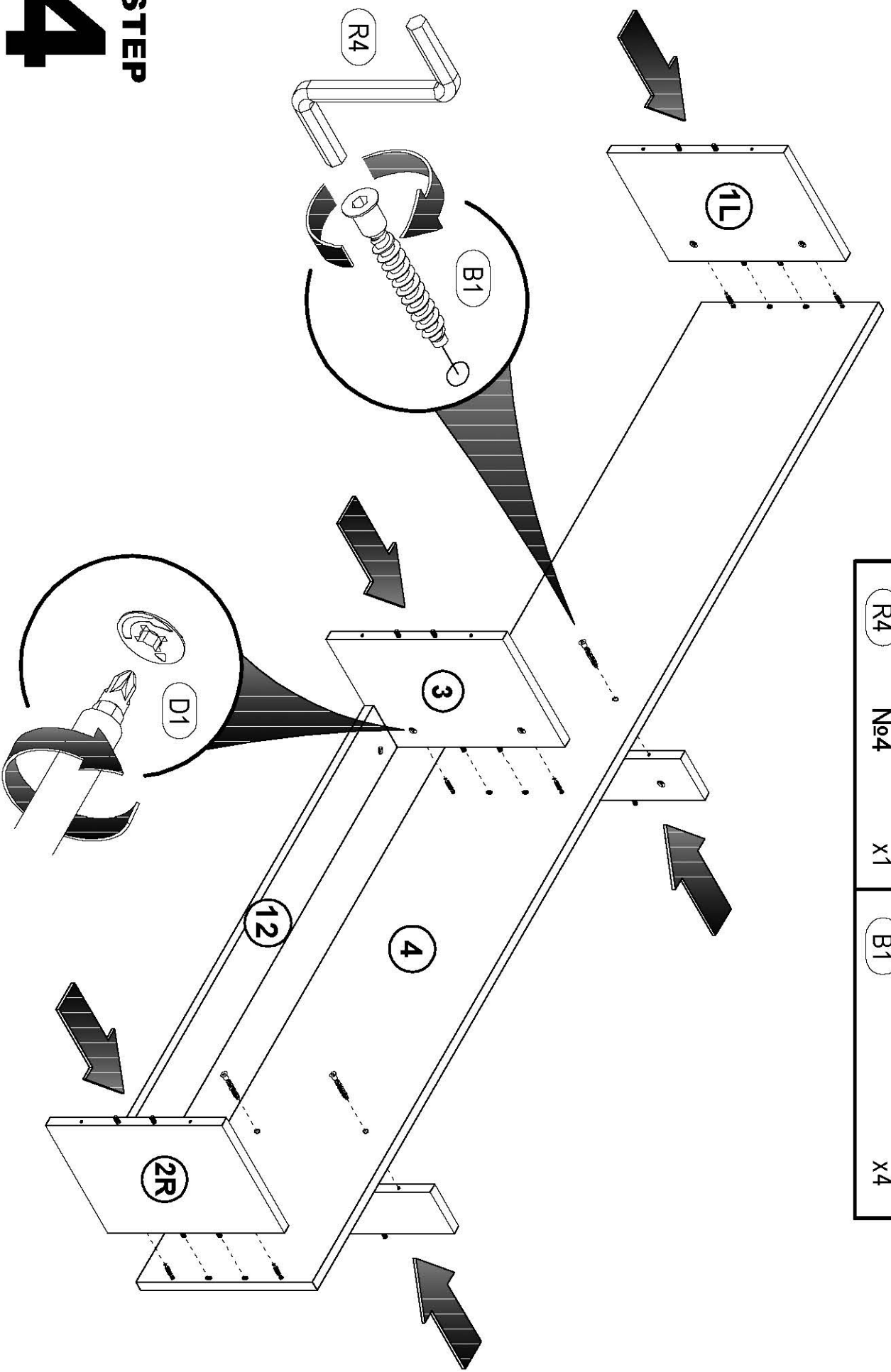


STEP
2

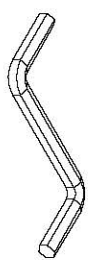
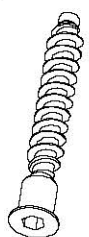


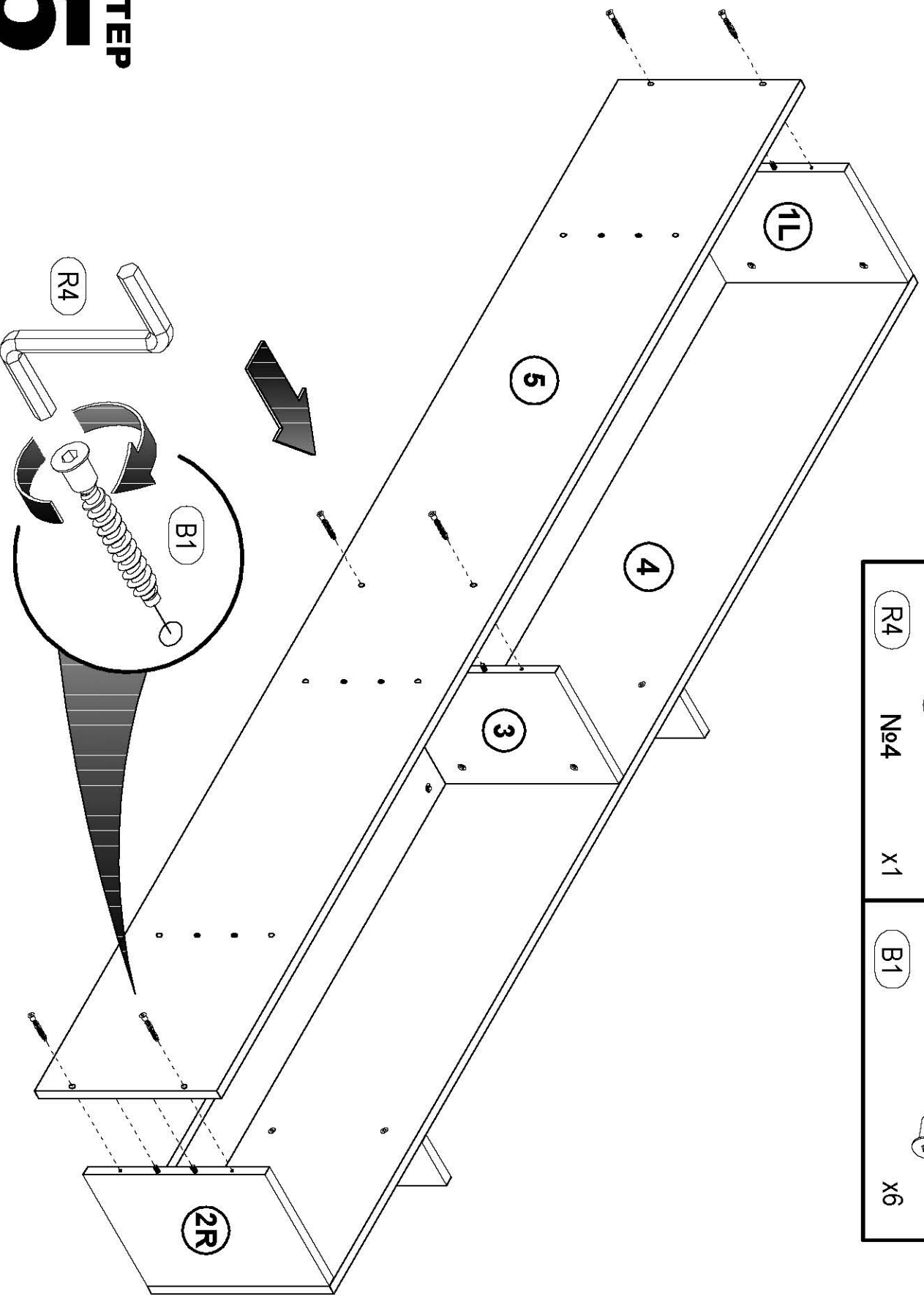
STEP
3

	
R4 №4 x1	B1 x4

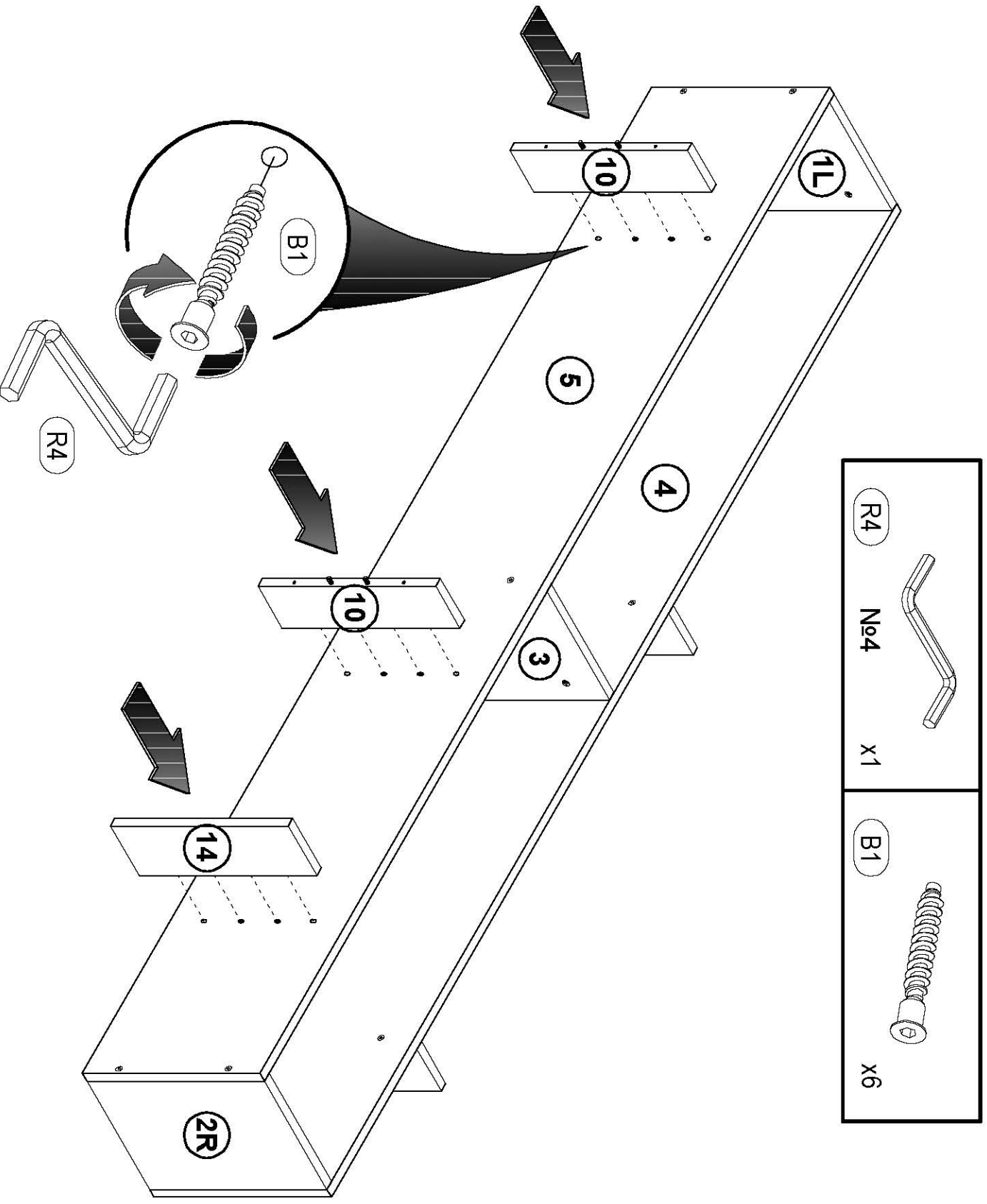


STEP
4

	
R4 №4 x1	B1 x6

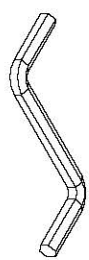
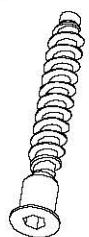


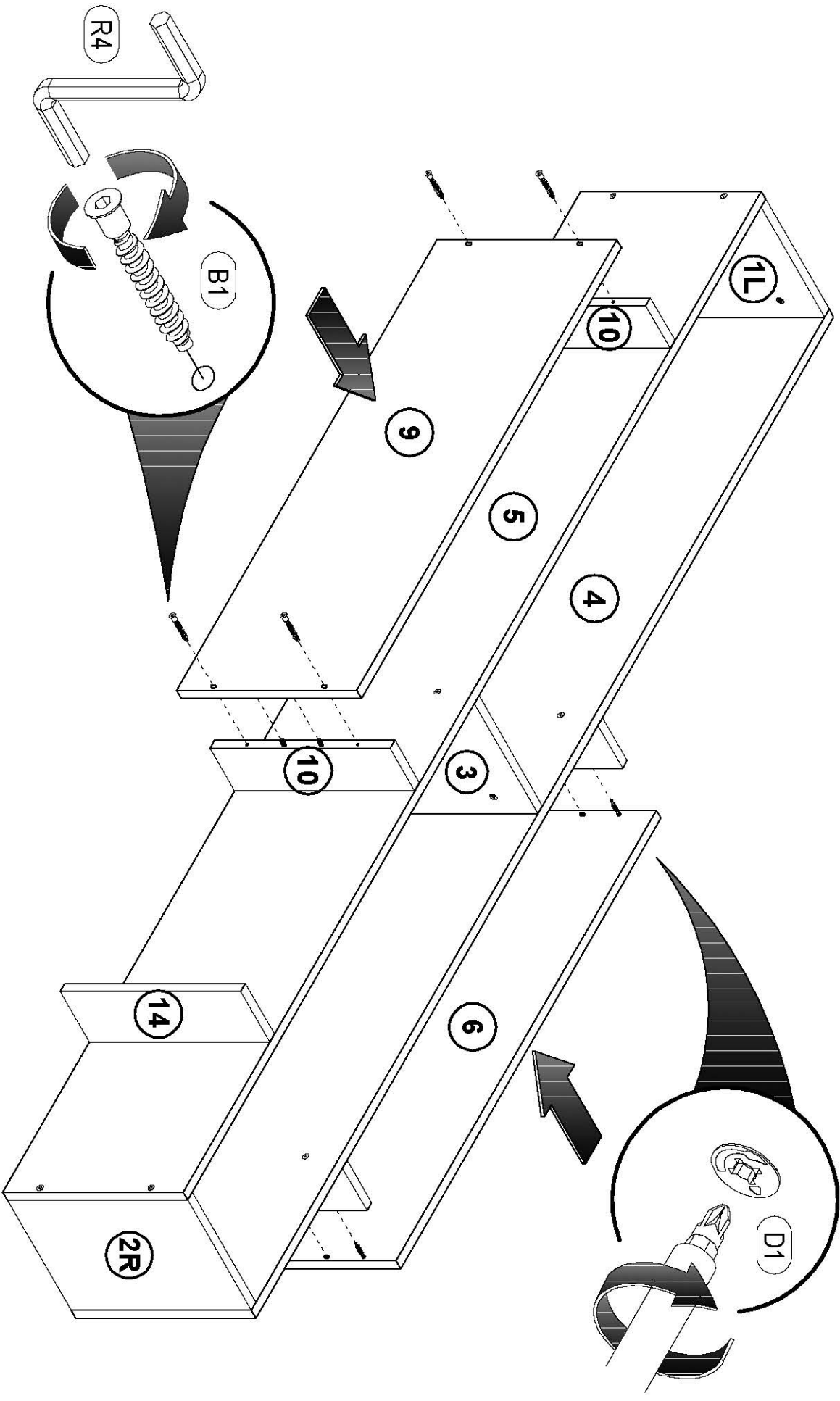
STEP 5



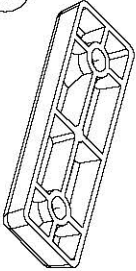
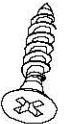
STEP

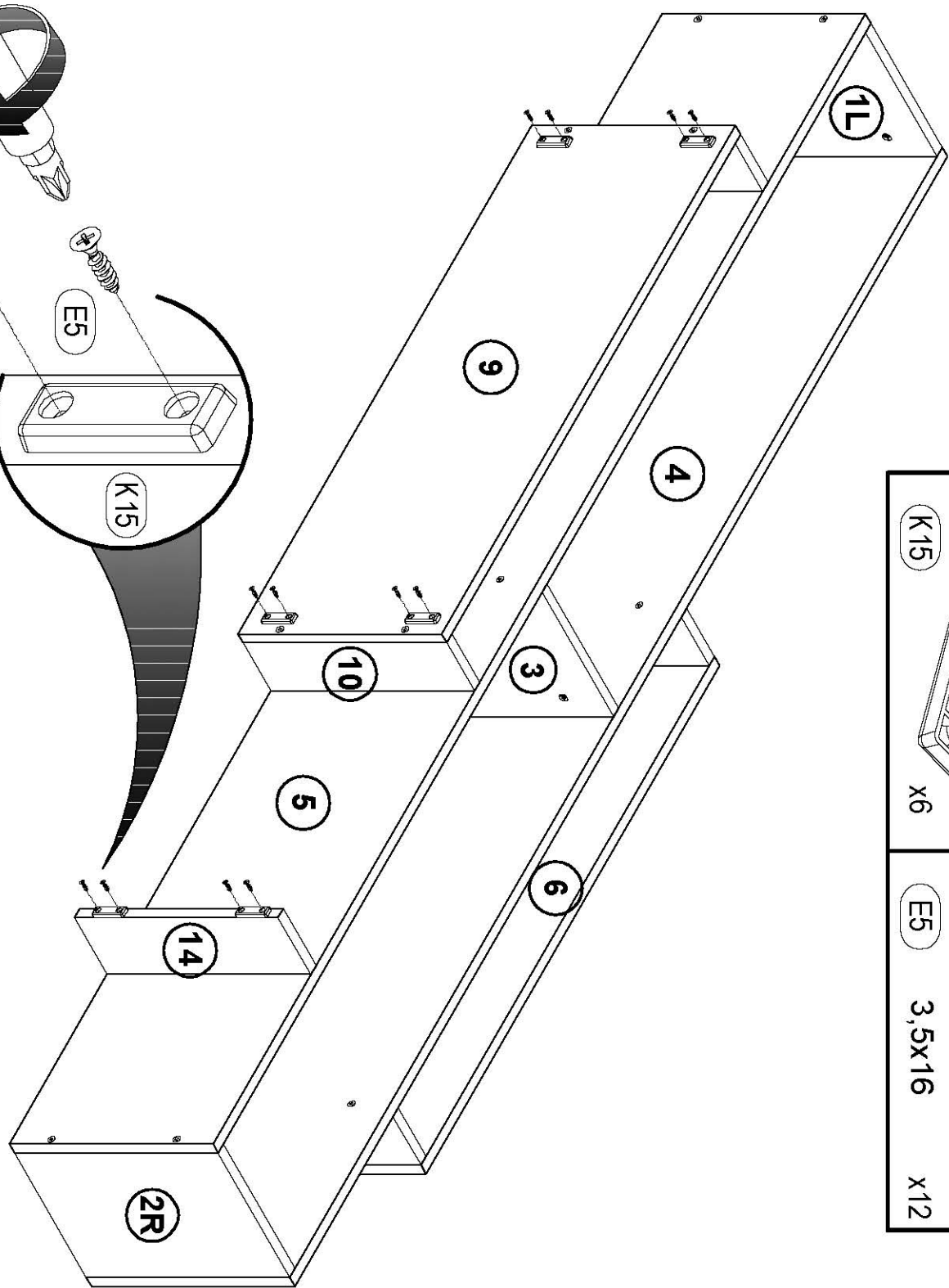
6

	
R4 №4 x1	B1 x4

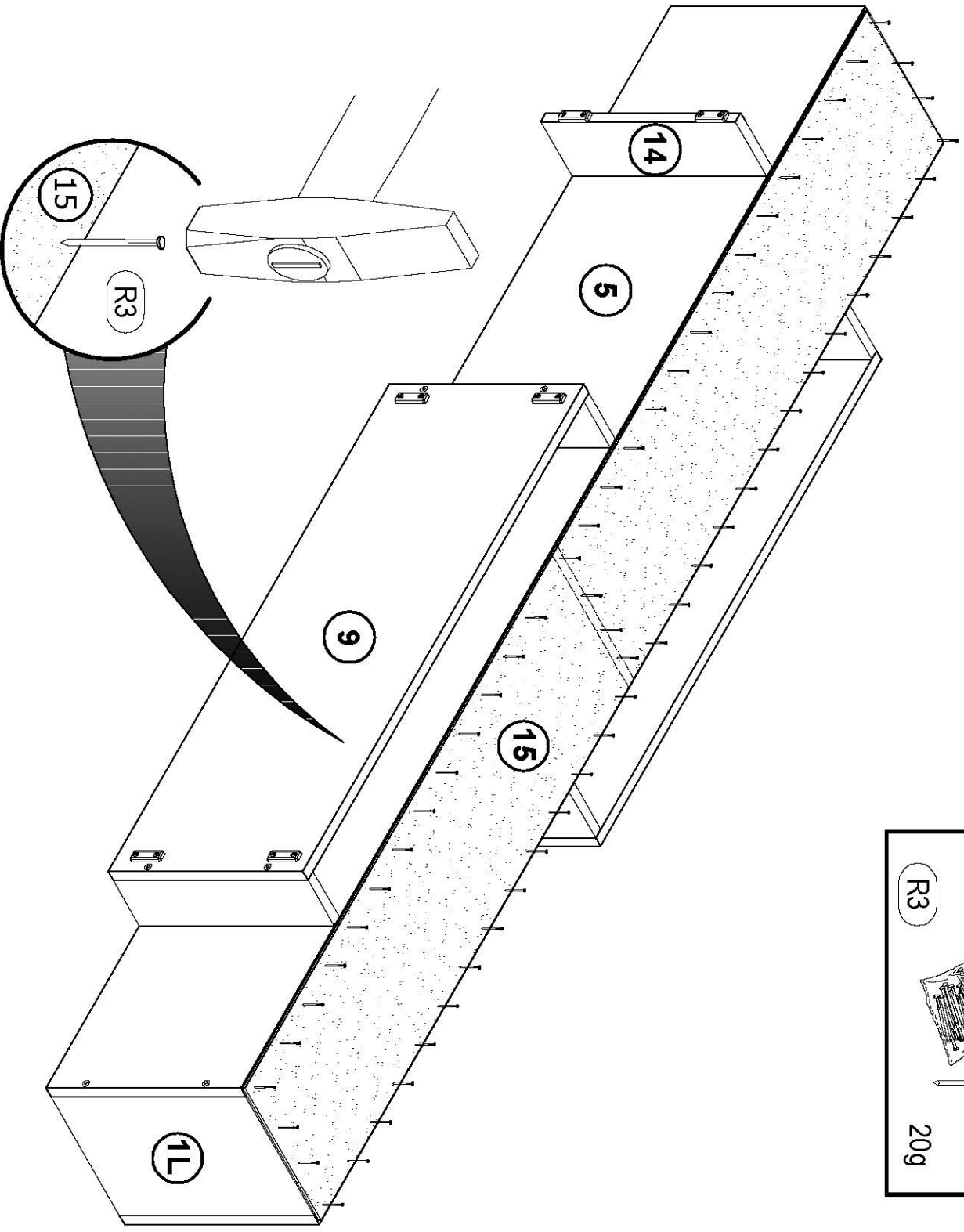


STEP
7

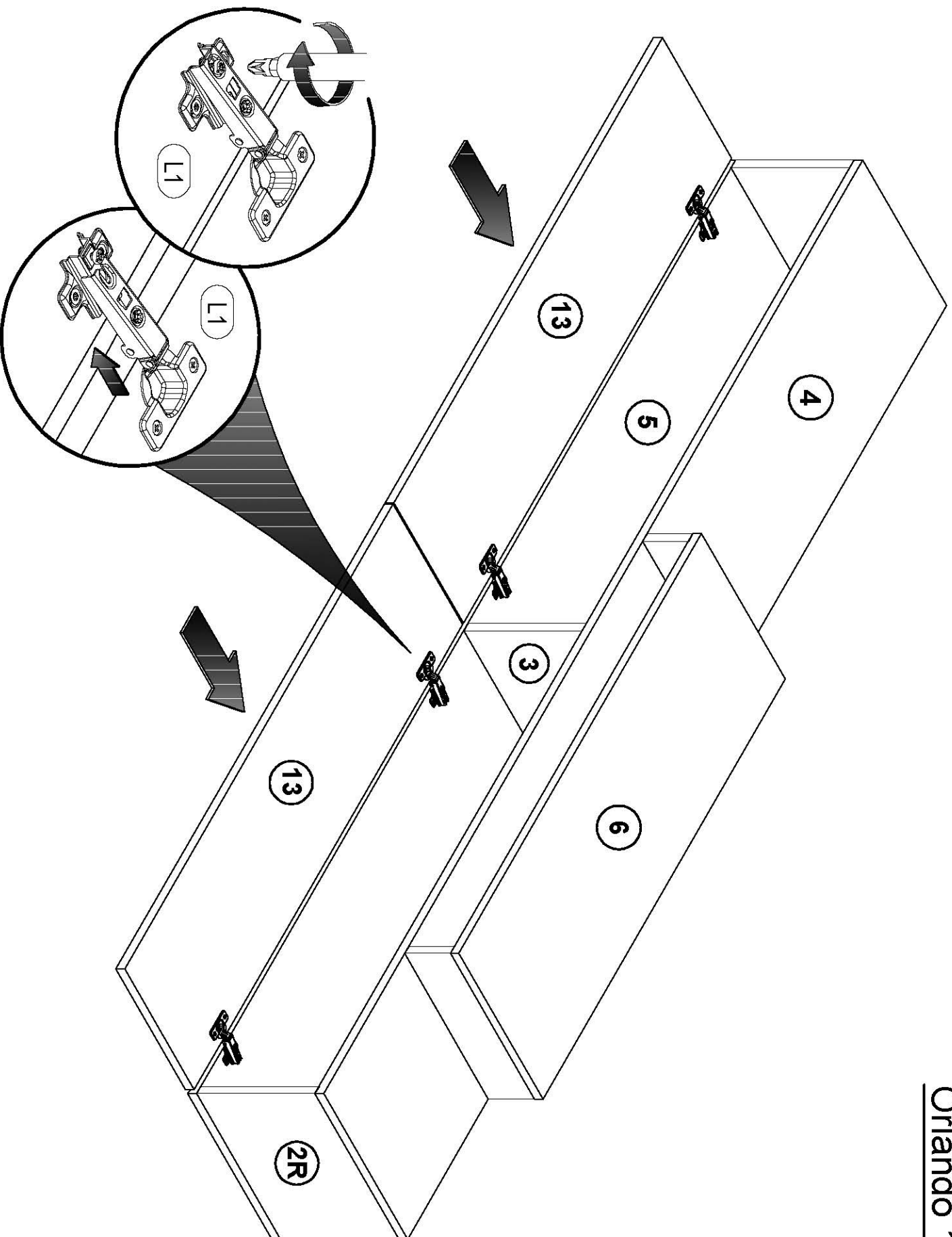
 K15 x6	 E5 3,5x16 x12
---	--





8 STEP

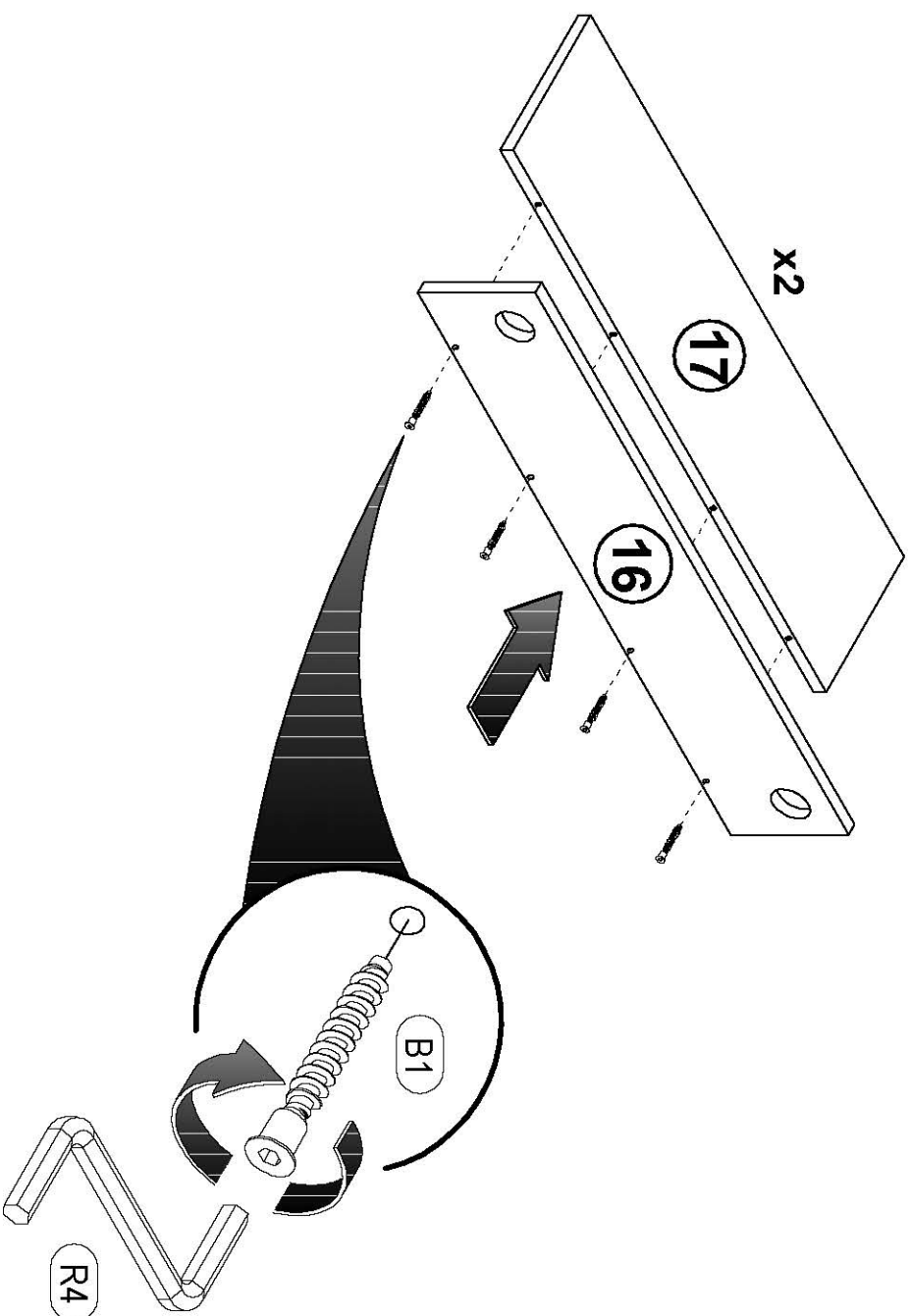


STEP
9





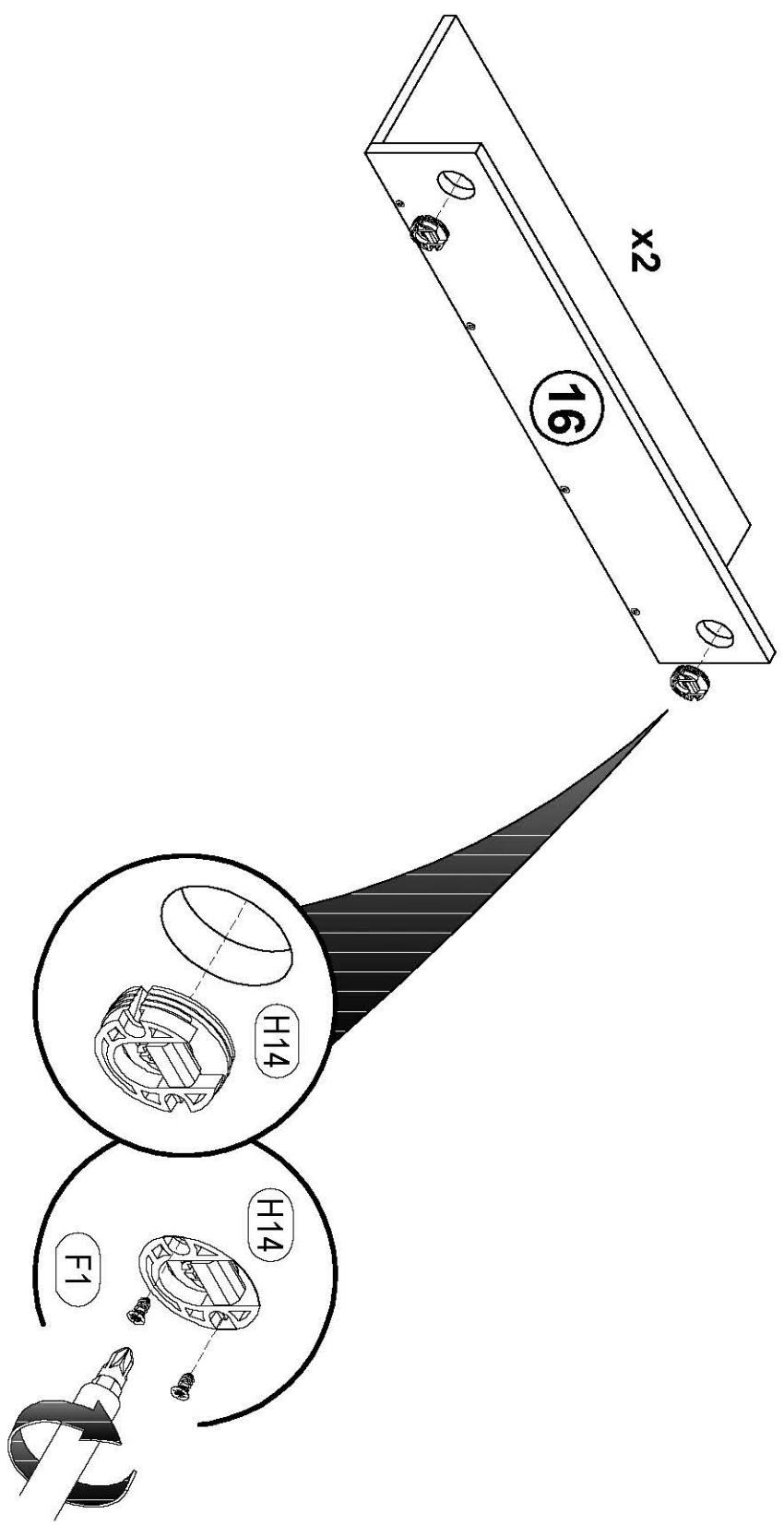
STEP 10

 R4	Nº4	x1	 B1	x8
--	-----	----	---	----





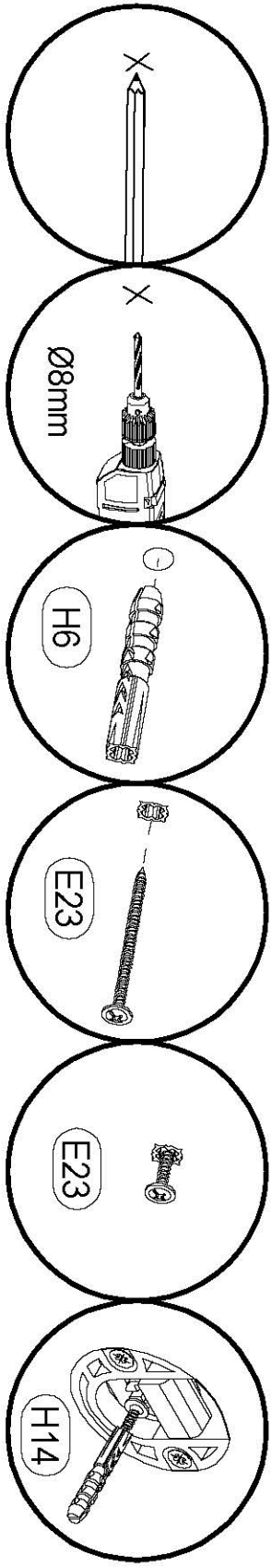
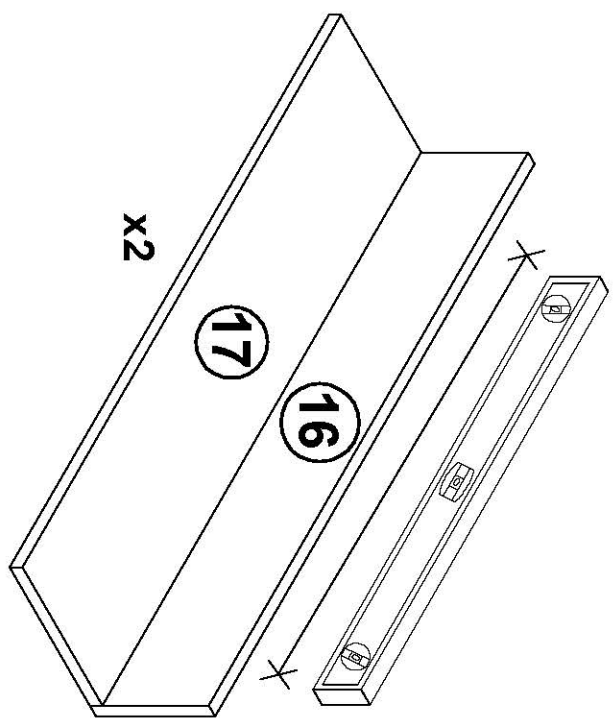
STEP
11

H14		X4
F4		X8

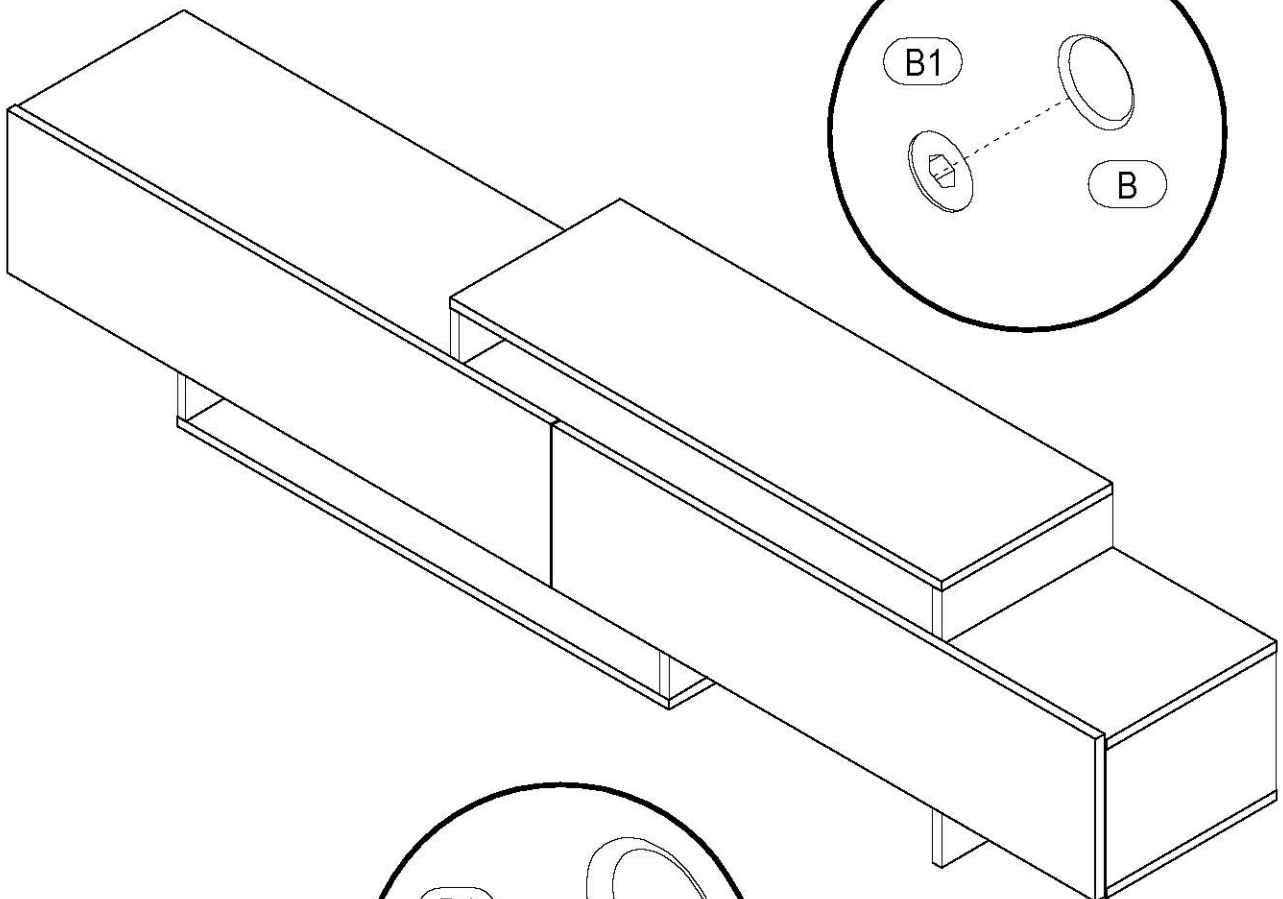
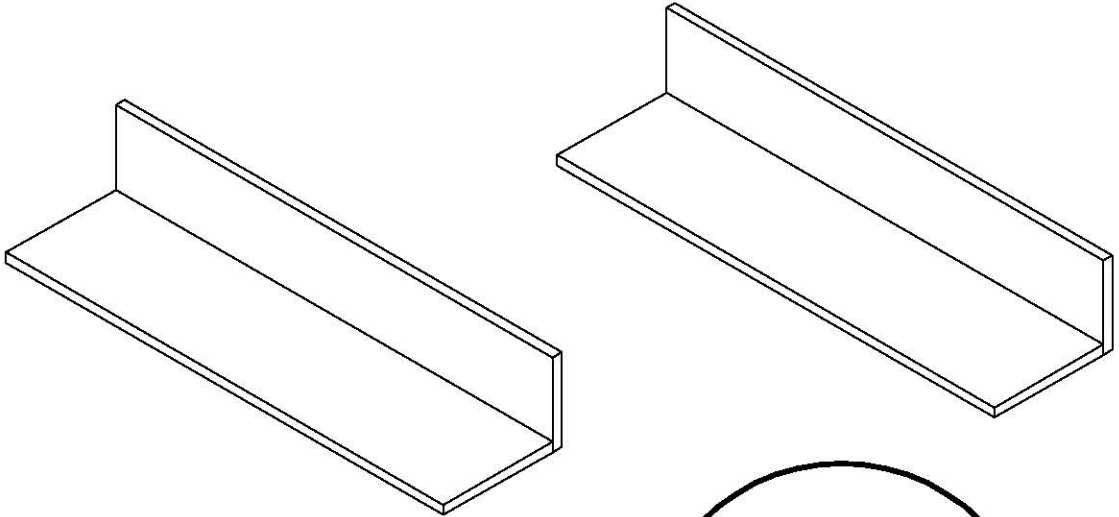
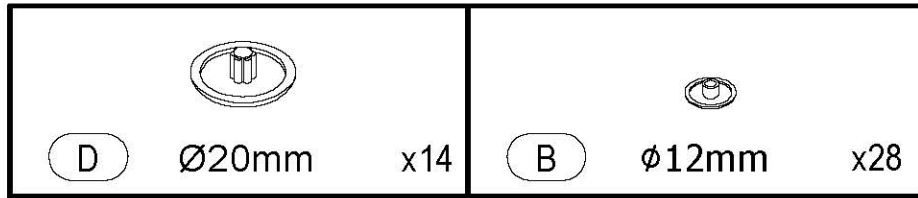


STEP 12

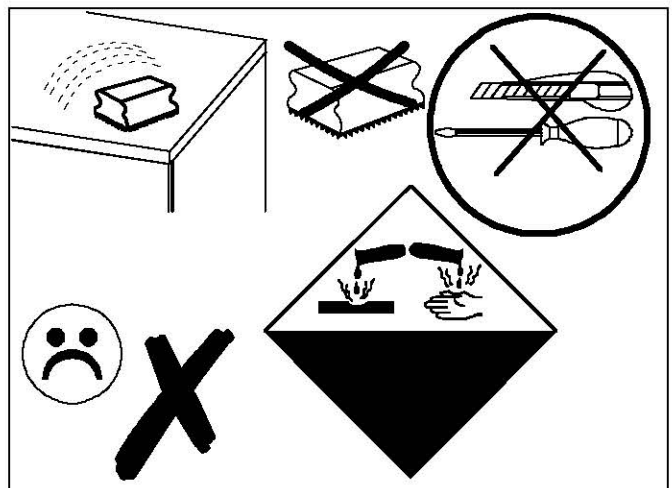
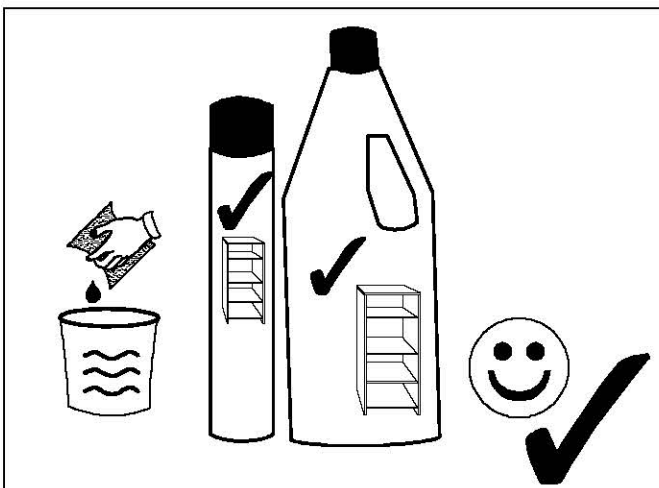
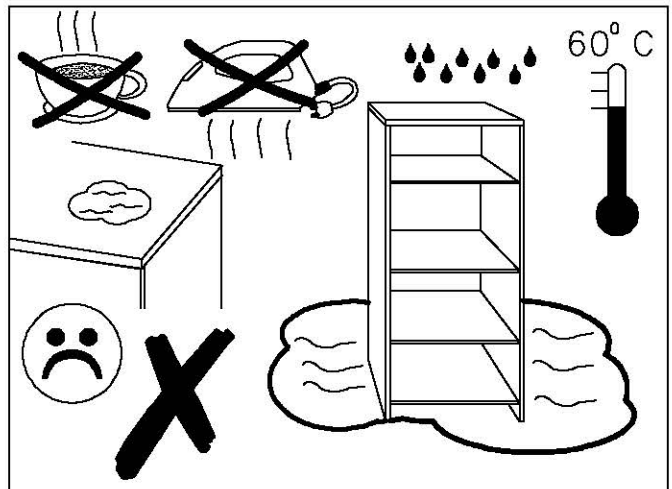
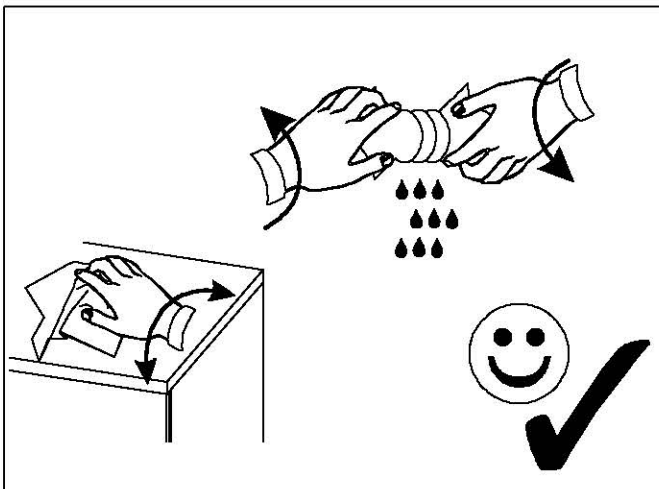
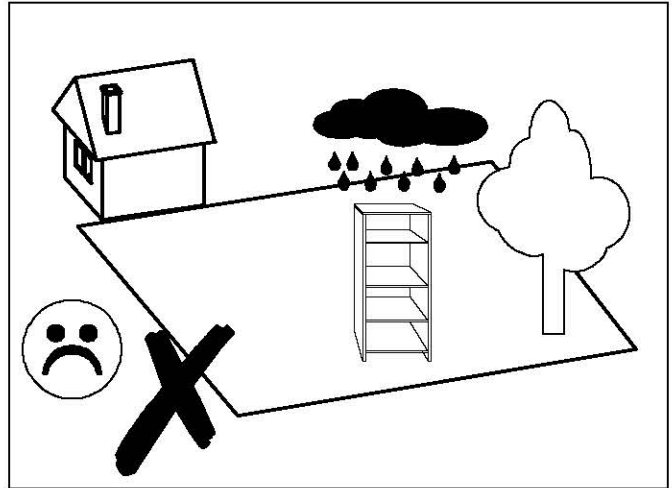
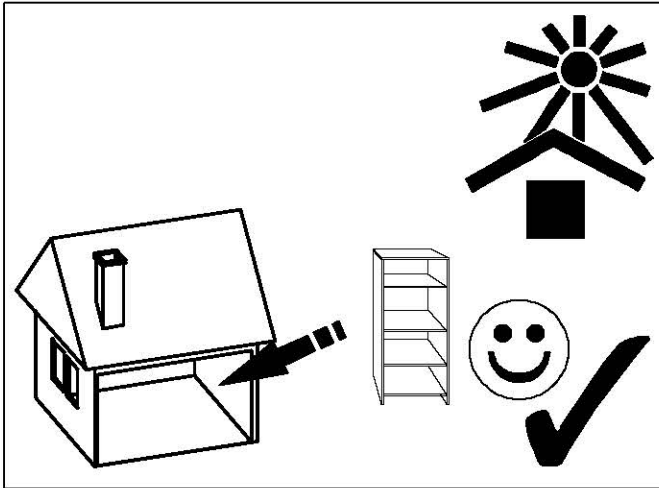
 E22 4,2*65mm x4	 H5 8*50mm x4
---	---



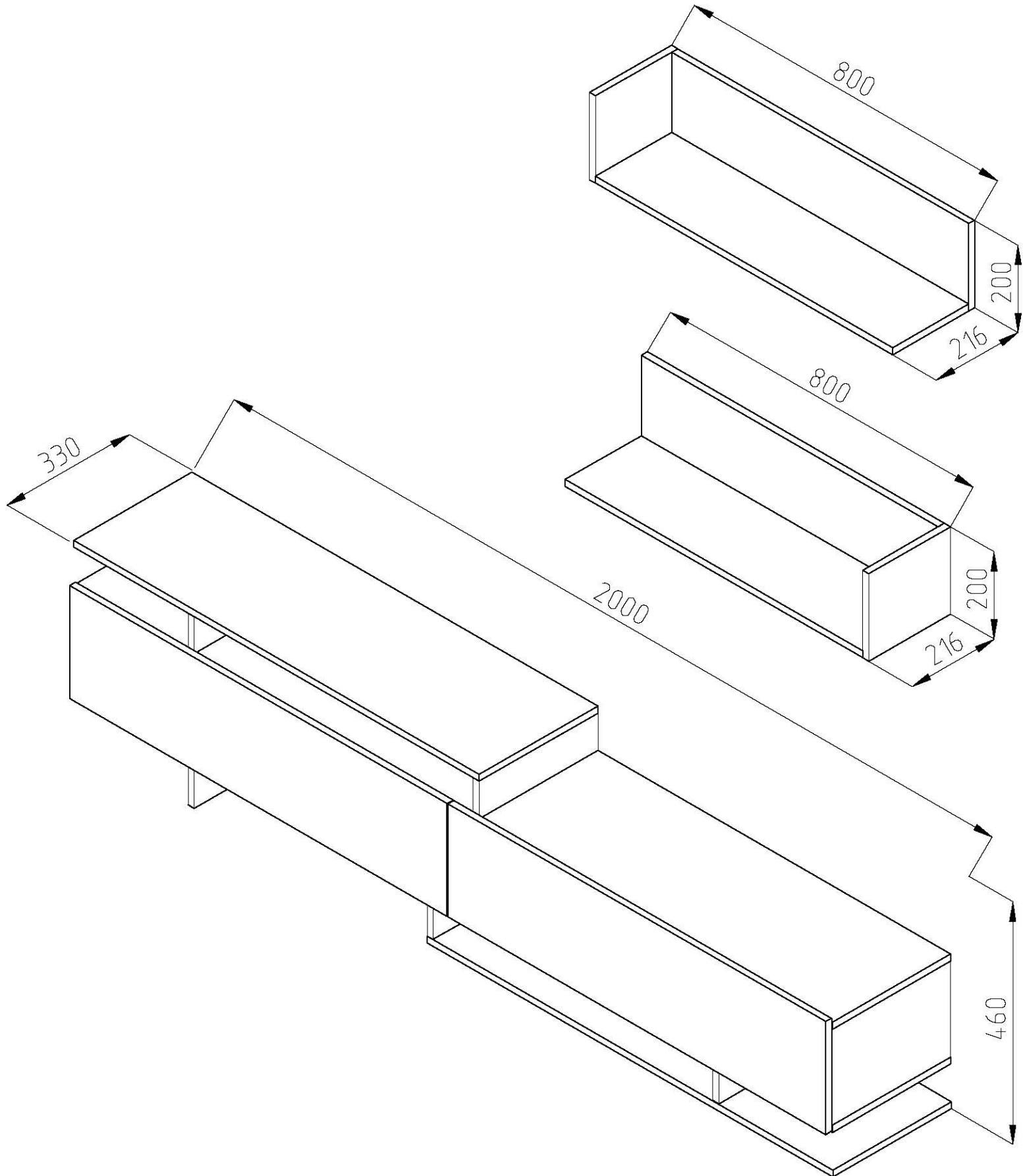
STEP 13

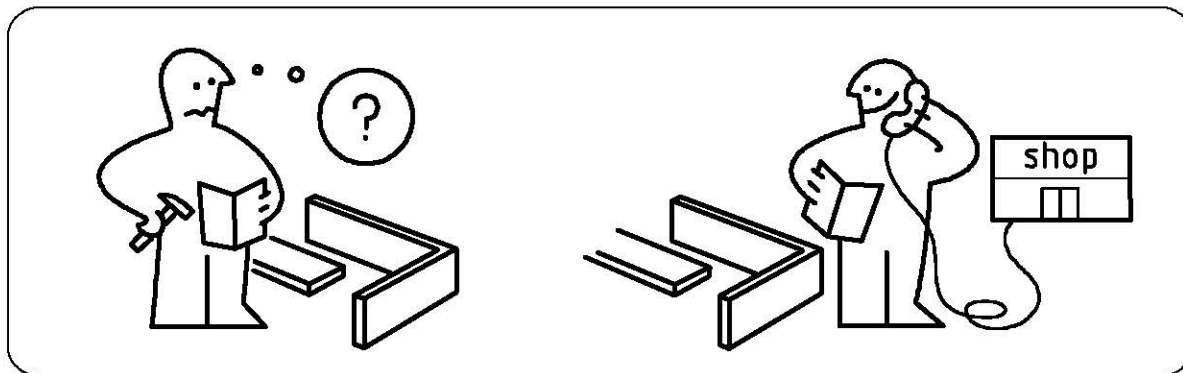
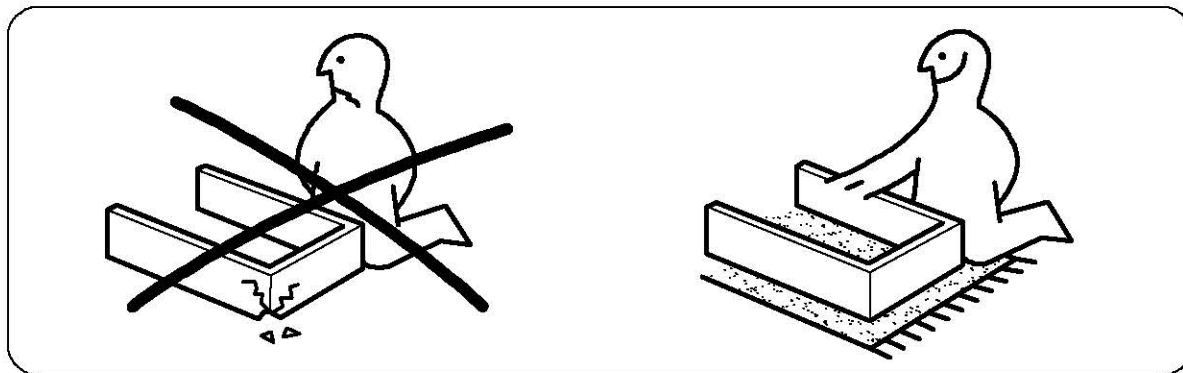
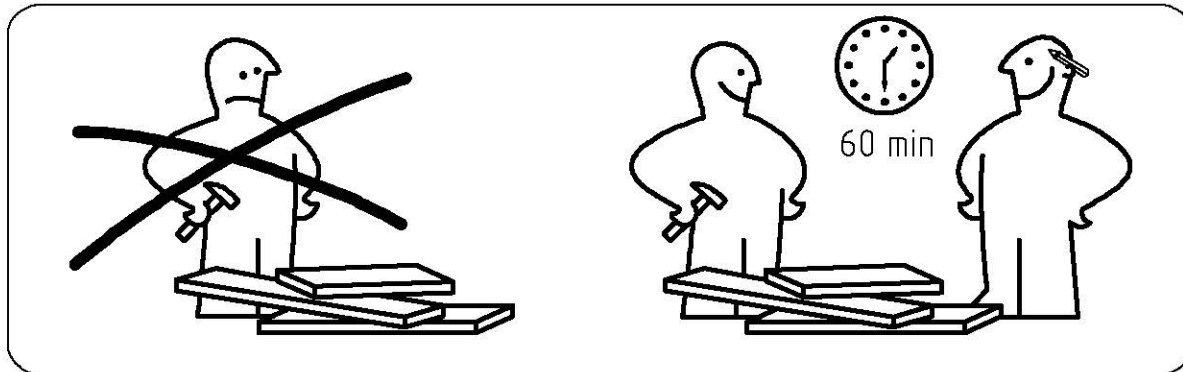
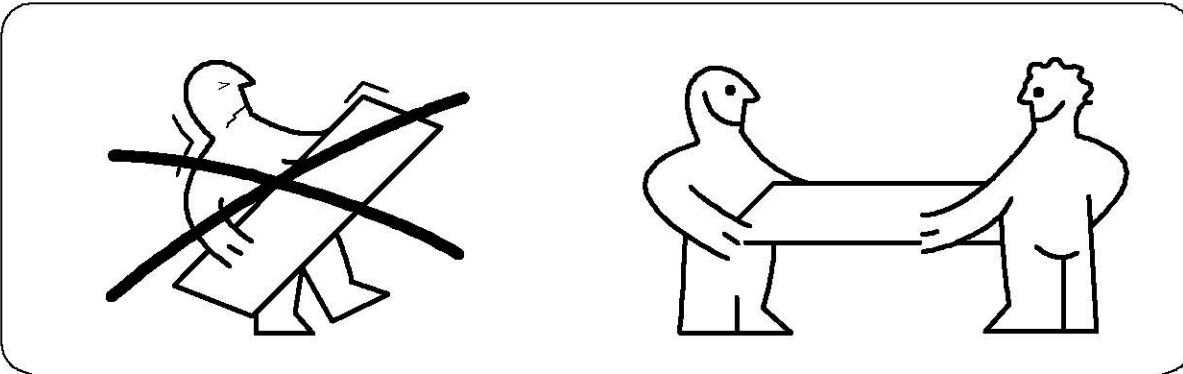
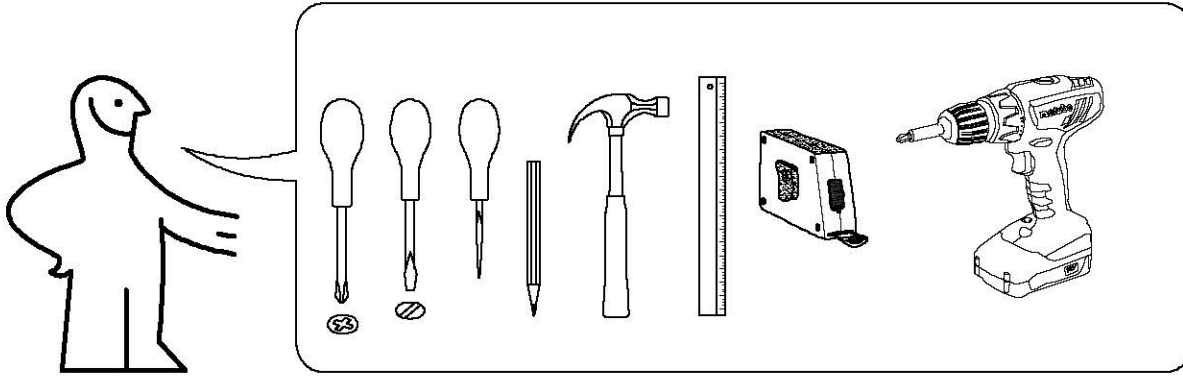


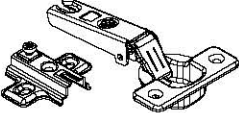
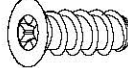
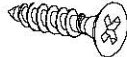
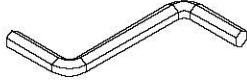
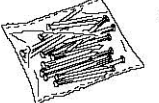

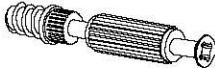
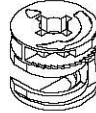
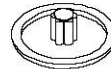
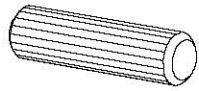
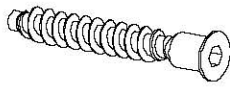

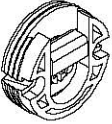
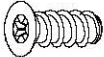


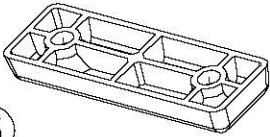
STEP
14



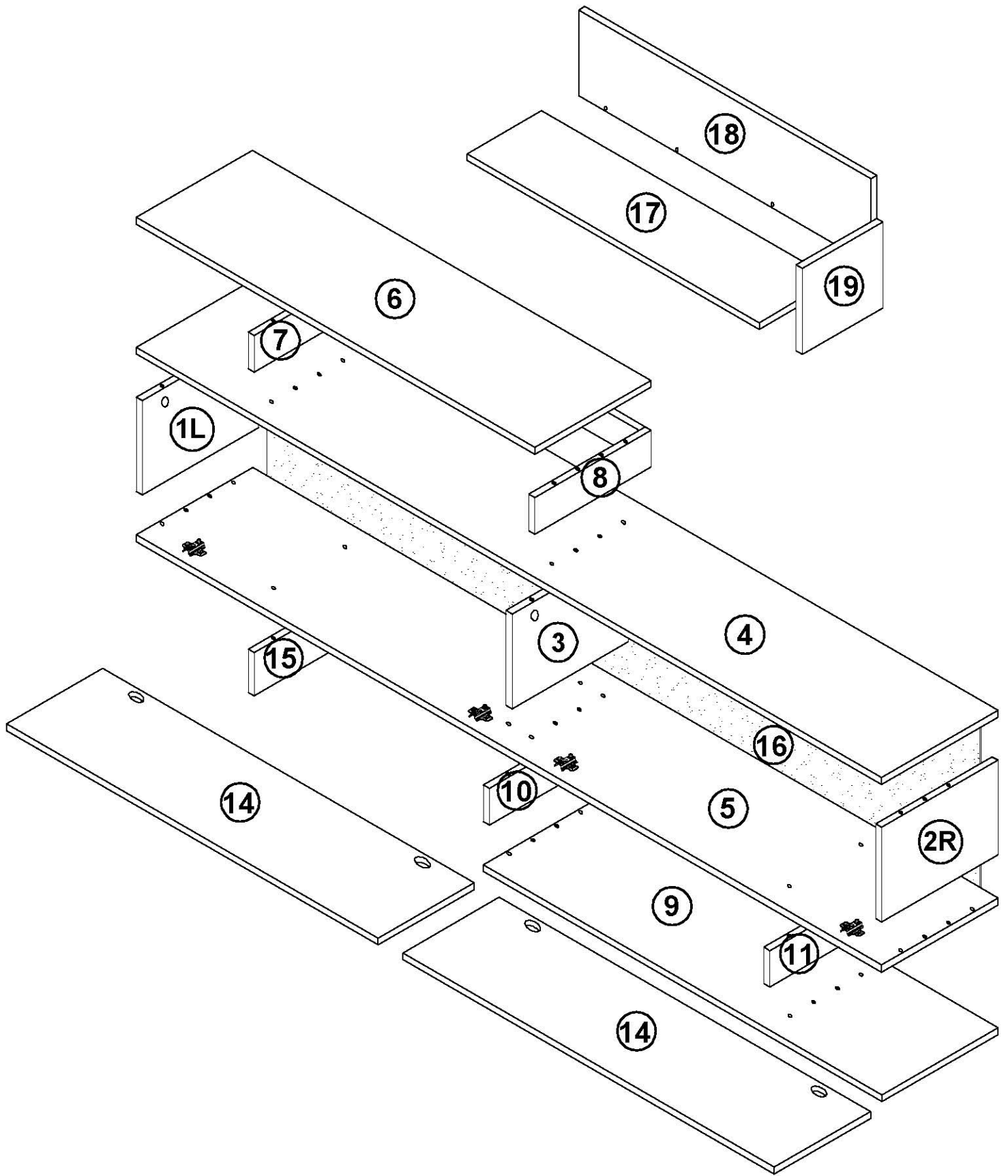
Orlando 2

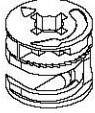
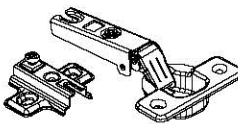
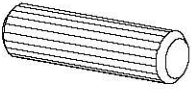
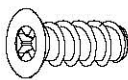
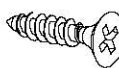


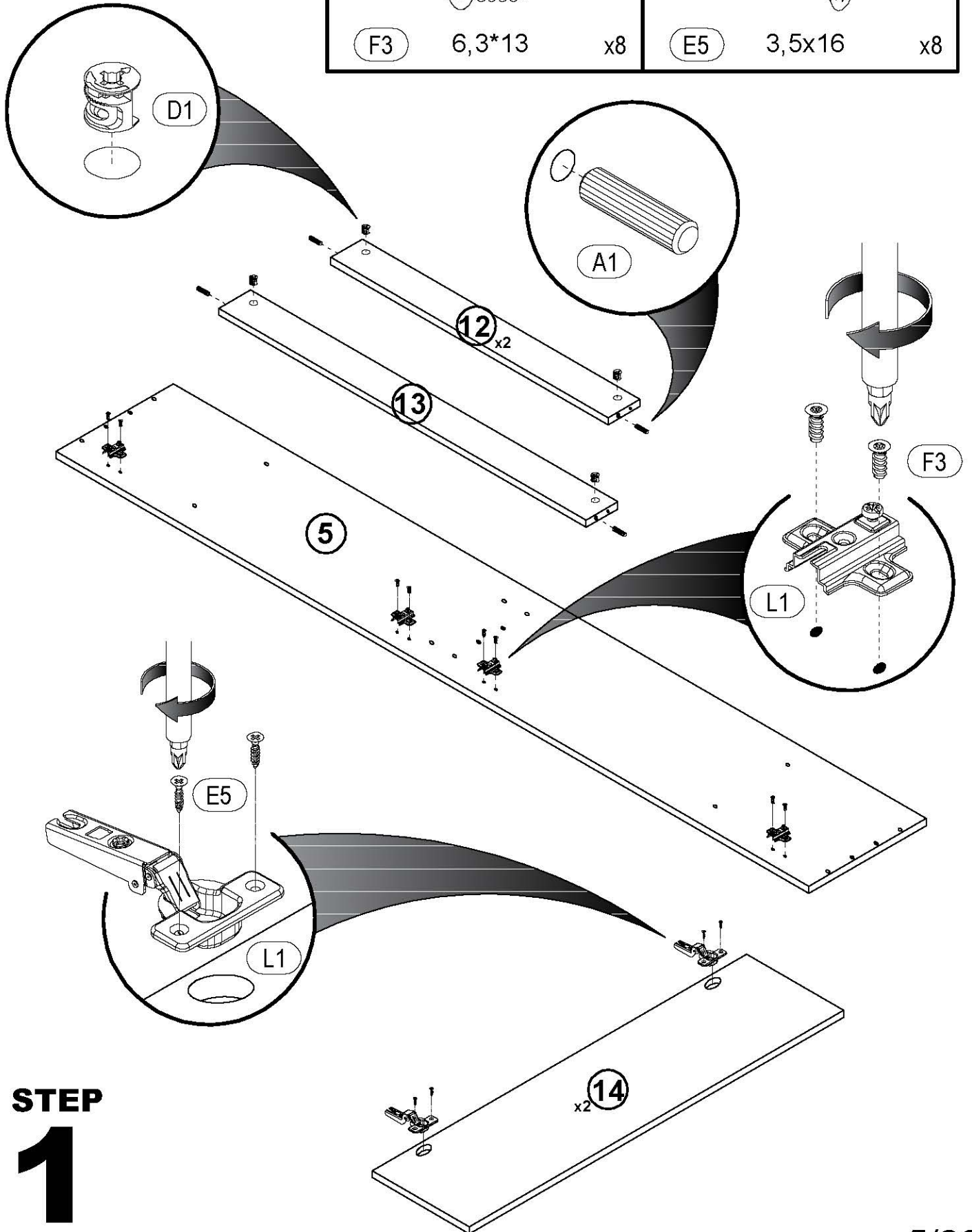


 L1 x4	 F3 6,3*13 x8	 E5 3,5x16 x20
 R4 №4 x1	 R3 20g	 U3 x4
 C1 6x43mm x24	 D1 15/16 x24	 D Ø20mm x24
 A1 8*30mm x36	 B1 x28	 B ø12mm x28
 H14 x4	 F4 5*9 x8	 H5 8*50mm x4
 E22 4,2*65mm x4	 K15 x6	

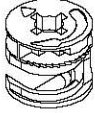
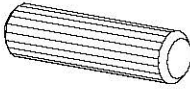
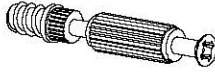
No	a*b	x	No	a*b	x
1	312x220	1	11	312x85	1
2	312x220	1	12	737x85	2
3	312x220	1	13	975x85	1
4	2000x312	1	14	996x258	2
5	2000x312	1	15	312x101	1
6	1070x312	1	16	1994x248	1
7	312x85	1	17	784x200	2
8	312x85	1	18	784x200	2
9	1070x312	1	19	216x200	2
10	312x85	1			

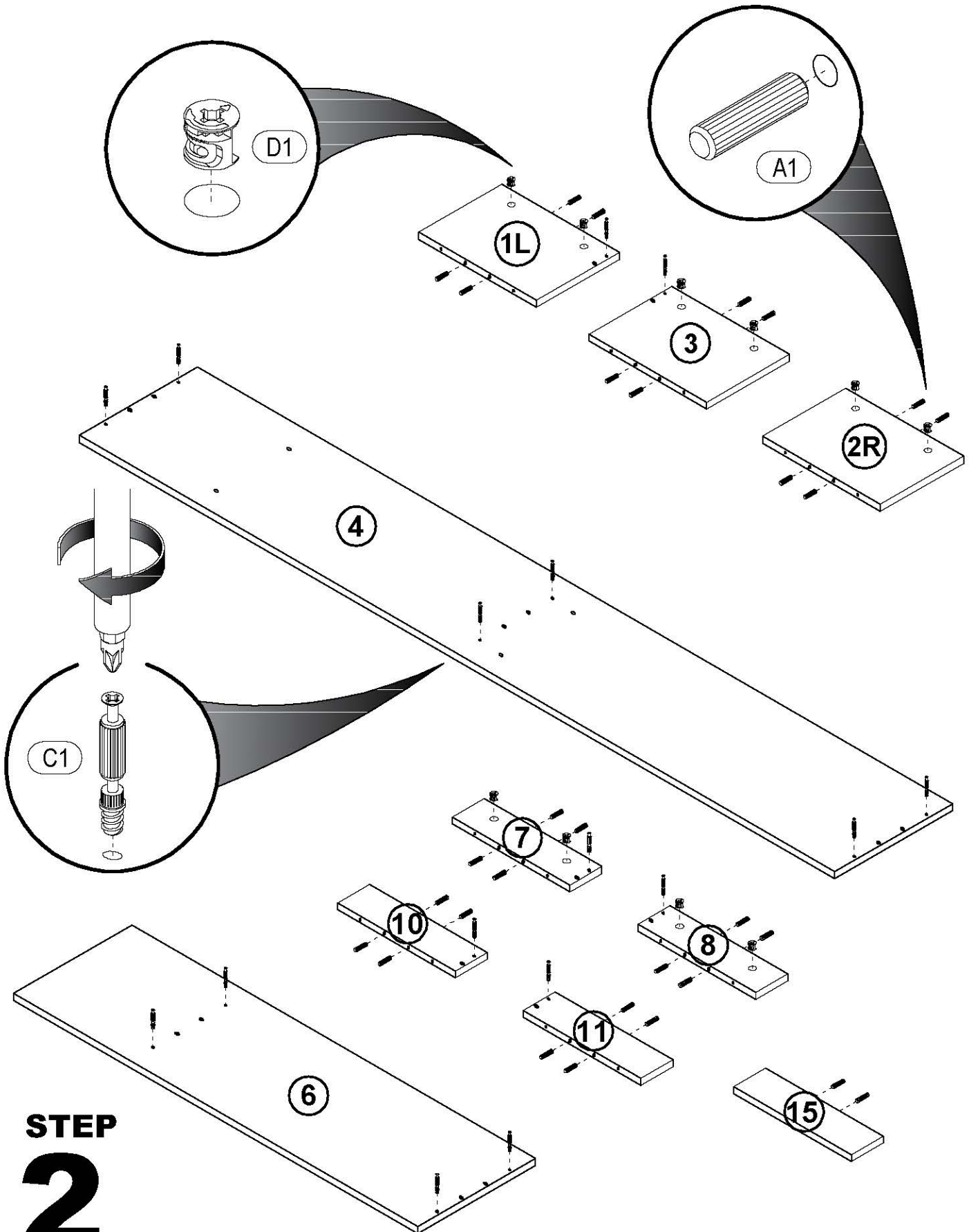


 D1 15/16 x6	 L1 x4	 A1 8*30mm x6
 F3 6,3*13 x8		 E5 3,5x16 x8

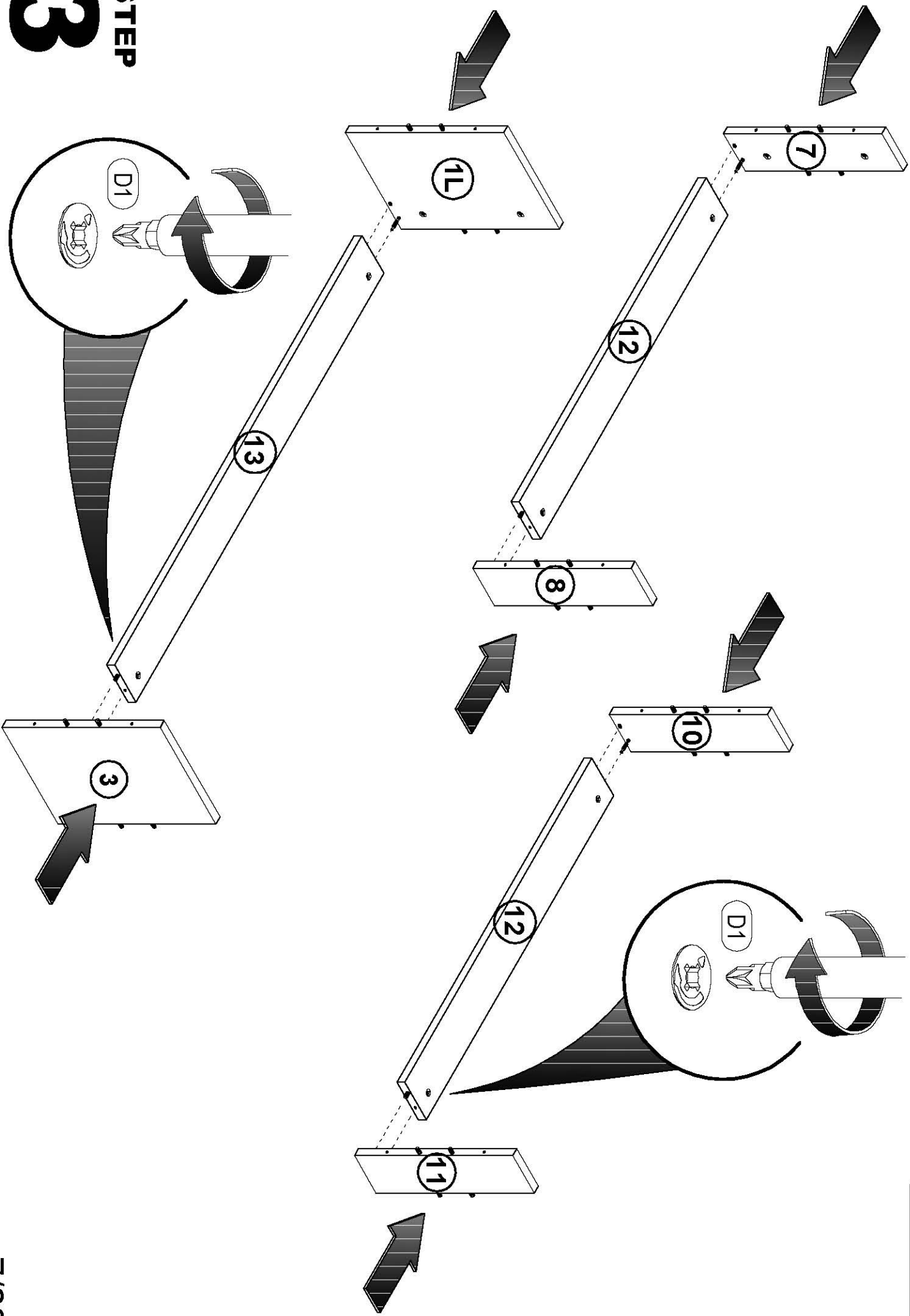


STEP
1

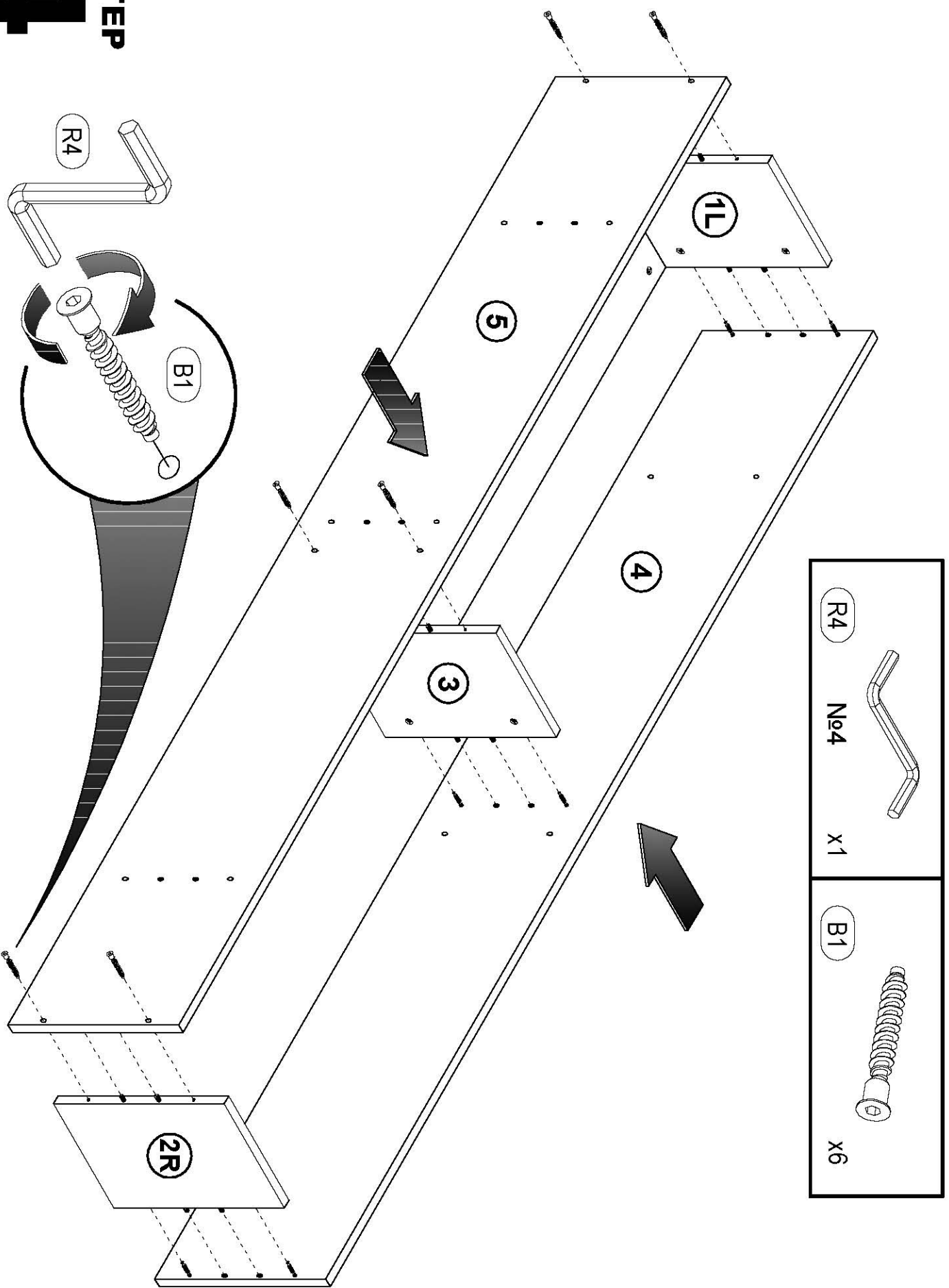
 <p>D1 15/16 x10</p>	 <p>A1 8*30mm x30</p>	 <p>C1 6x43mm x16</p>
---	--	--



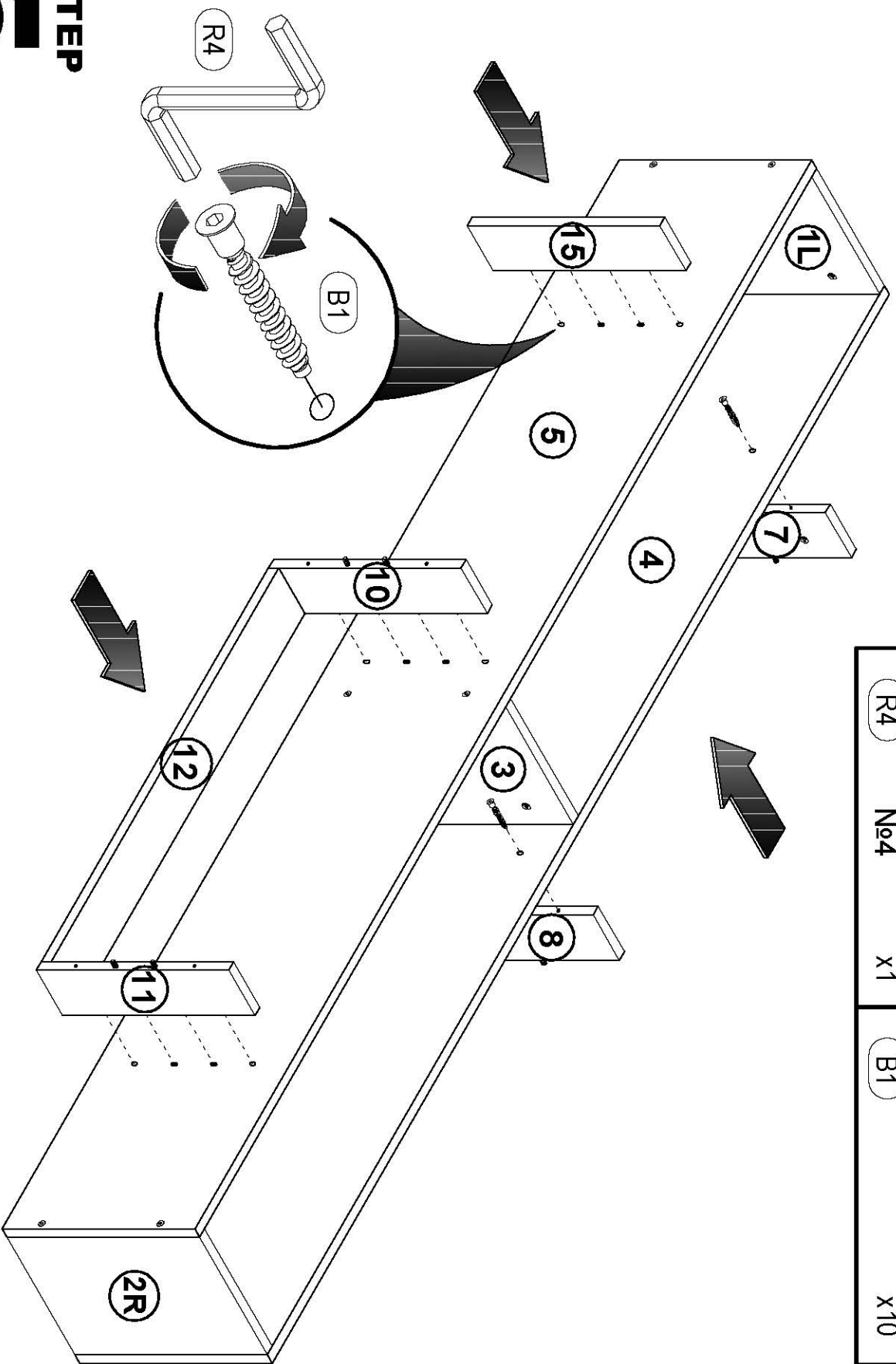
STEP
2




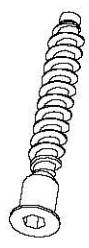
STEP
3

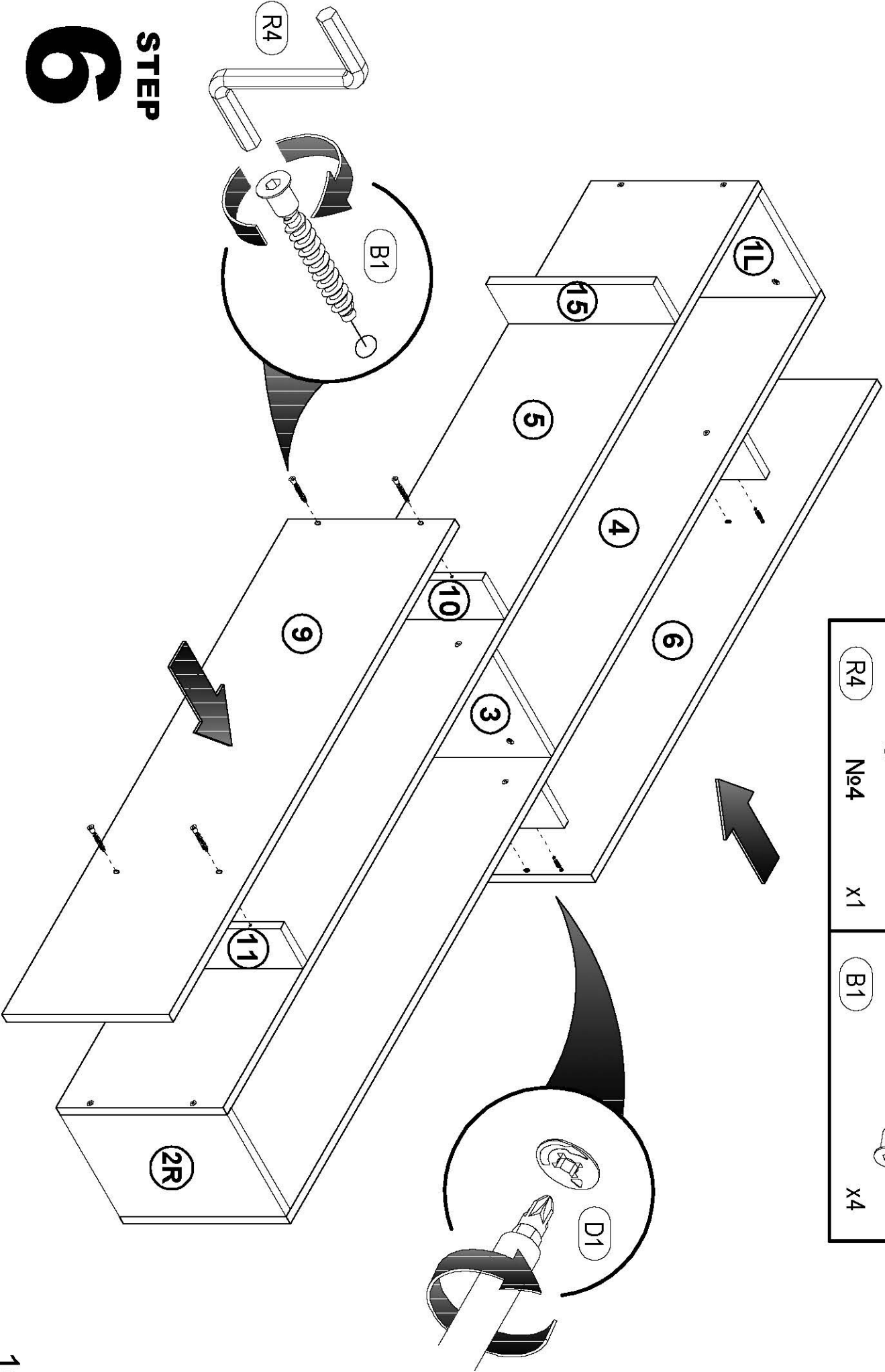


STEP
4



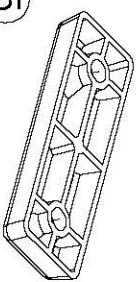

STEP
5

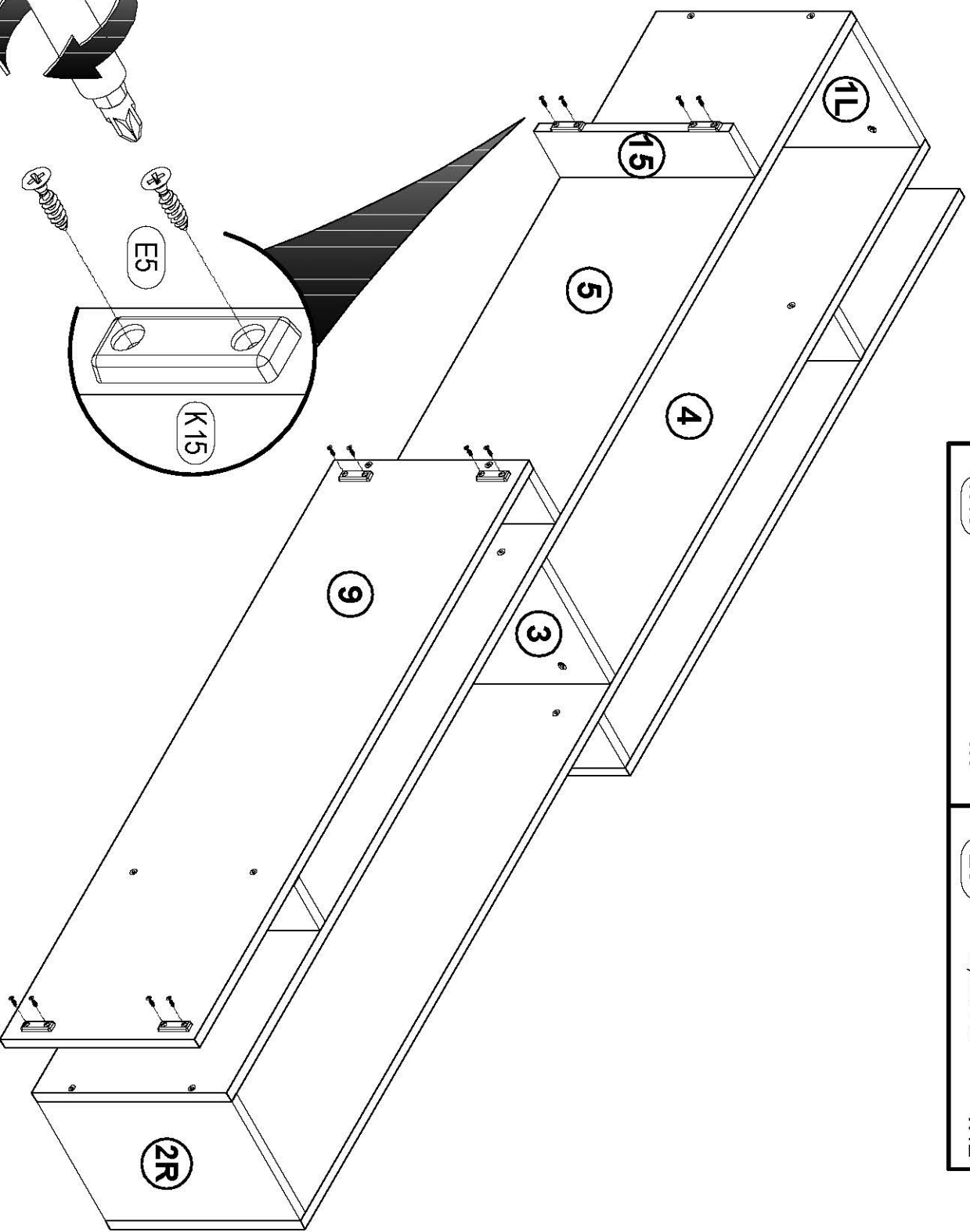
 R4 №4 x1	 B1 x4
---	--



STEP

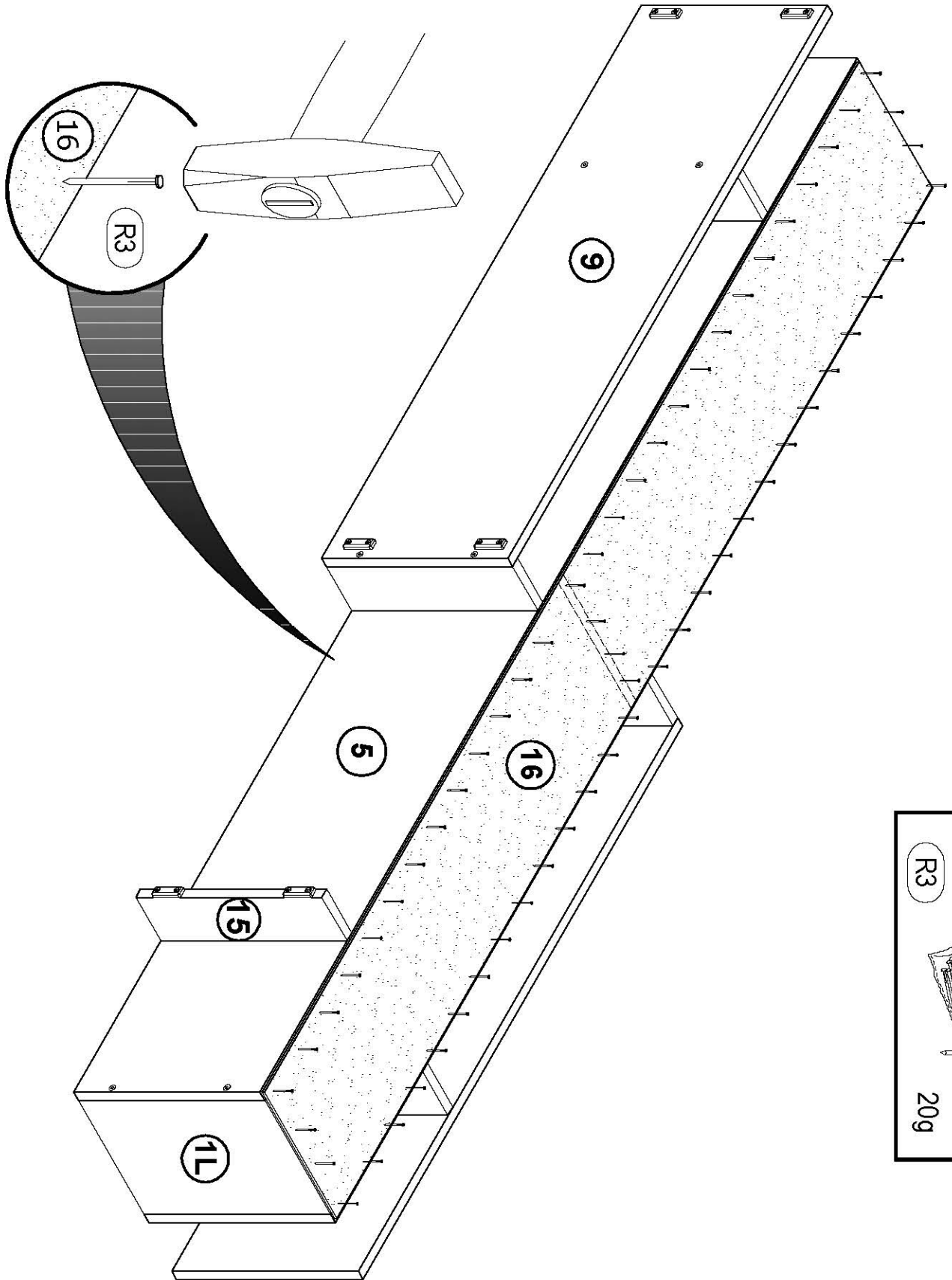
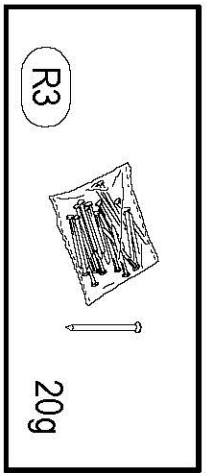
6

 K15 x6	 E5 3,5x16 x12
---	--

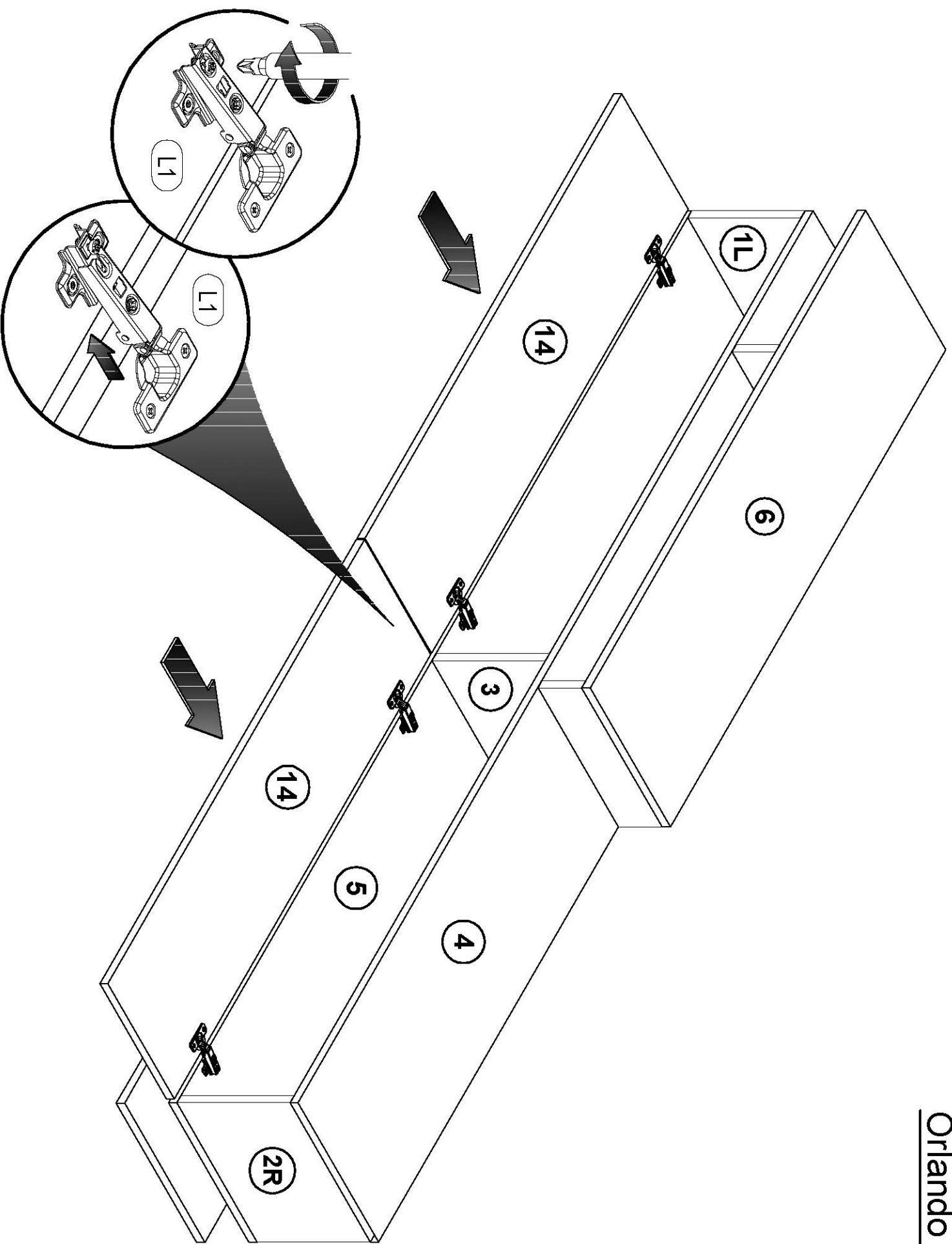


STEP


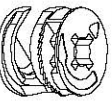
7

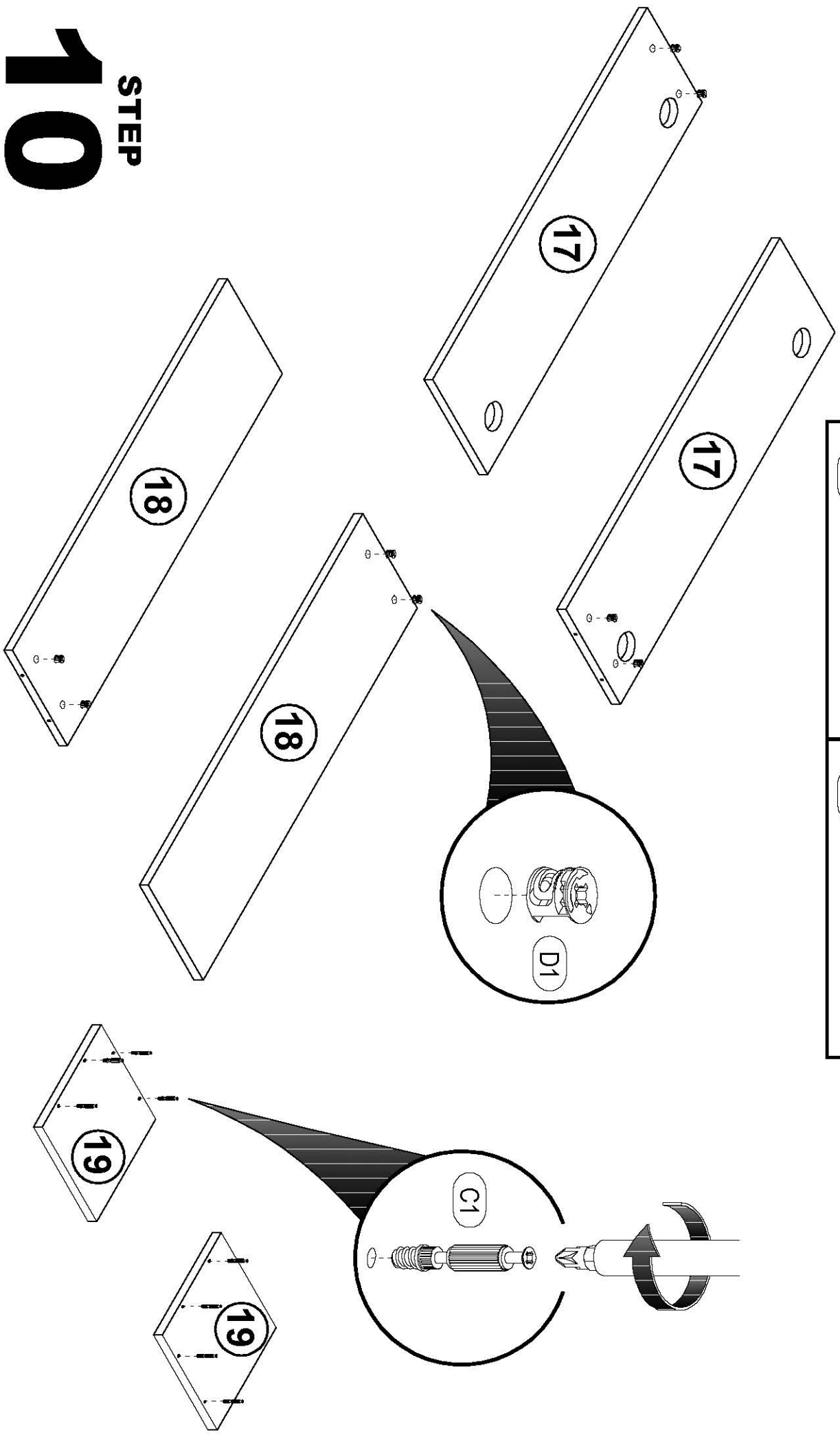


STEP
8





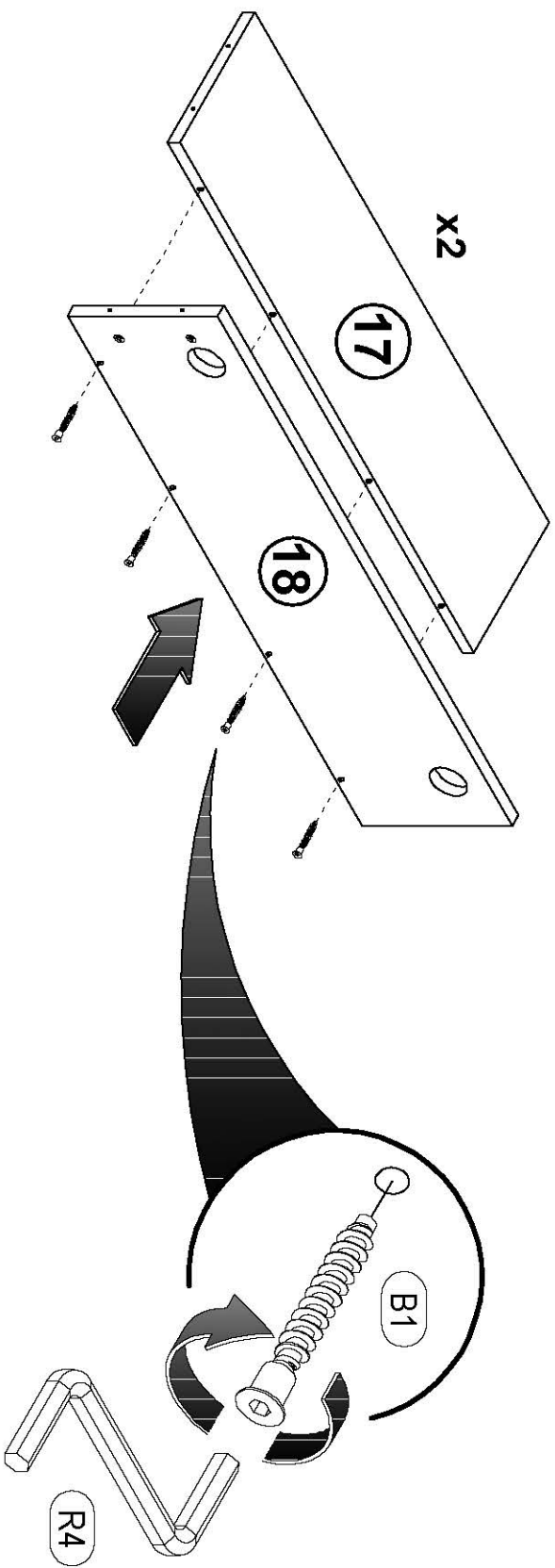
STEP
9

<p>C1 6x43mm X8</p>		<p>D1 15/16 X8</p>	
---------------------	---	--------------------	---



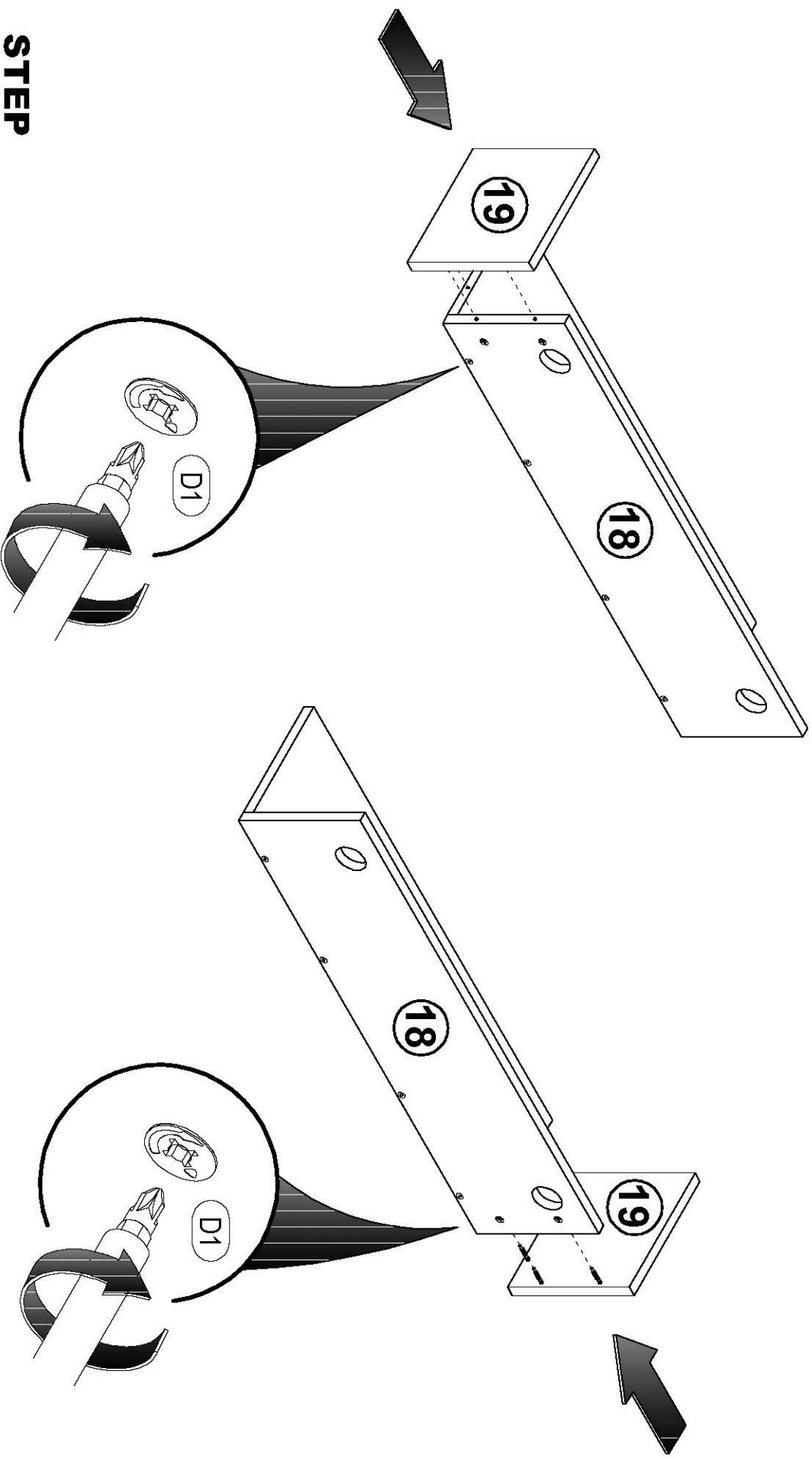
STEP 10

 R4	Nº4	X1	 B1	X8
--	-----	----	---	----





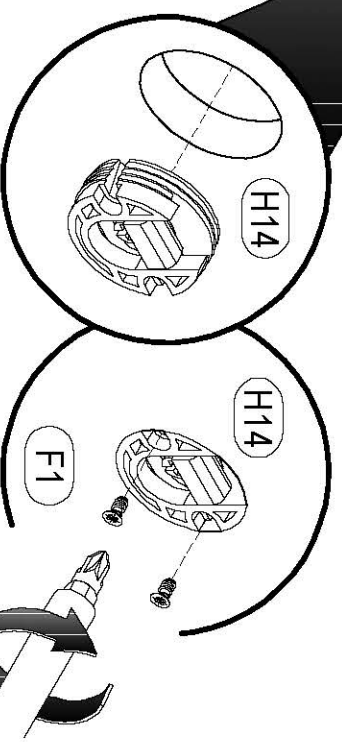
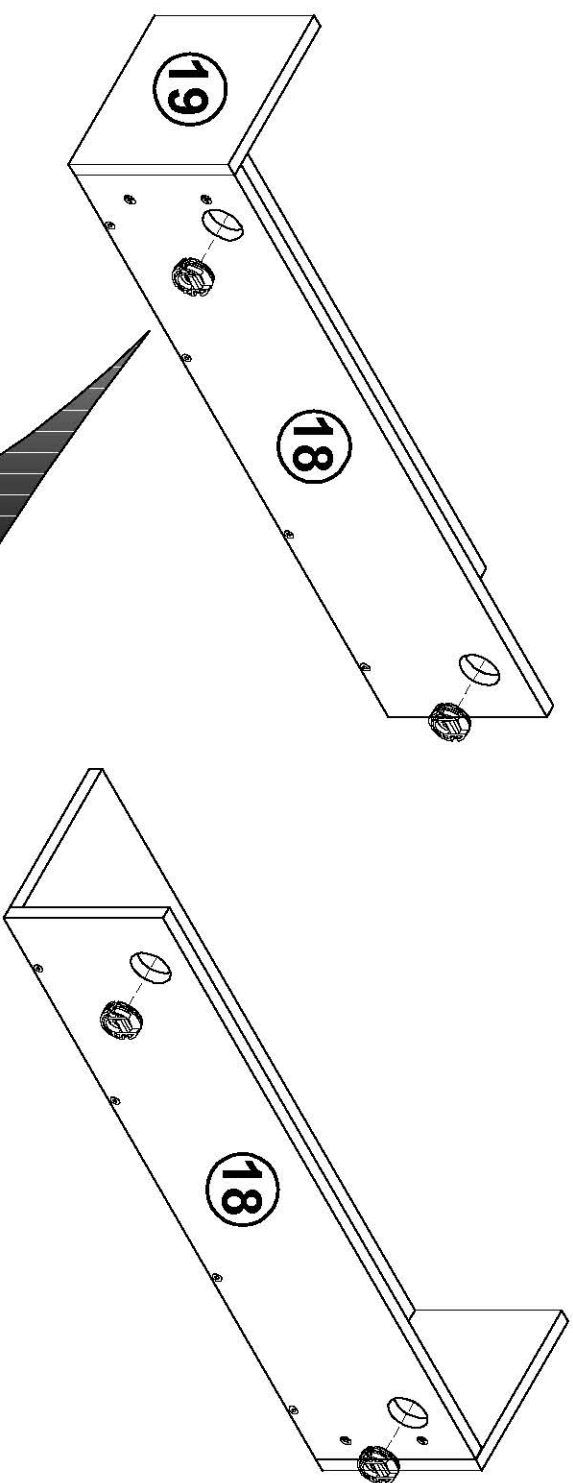
STEP

11





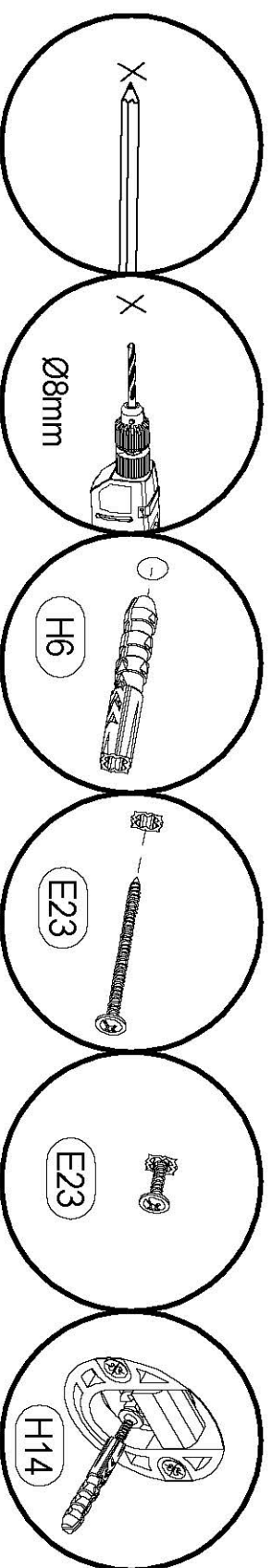
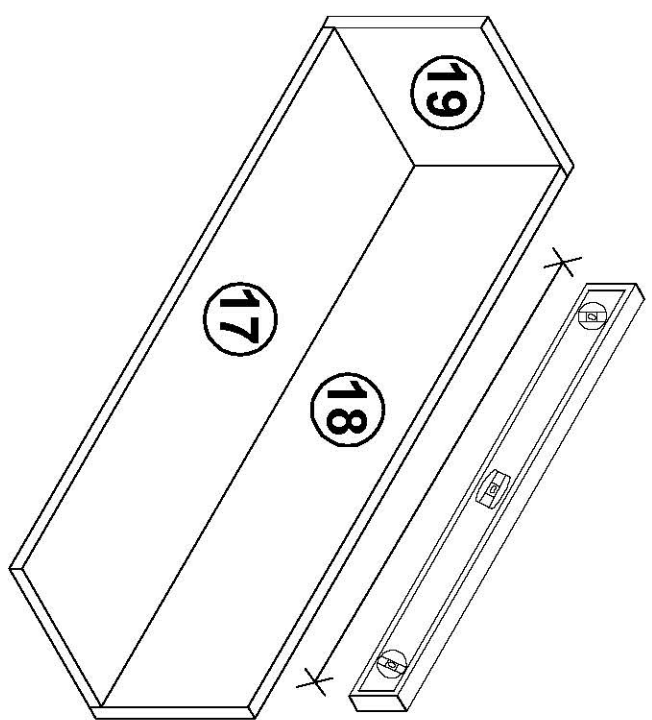
STEP
12

 H114	x4	 F4	5*9	x8
---	----	---	-----	----

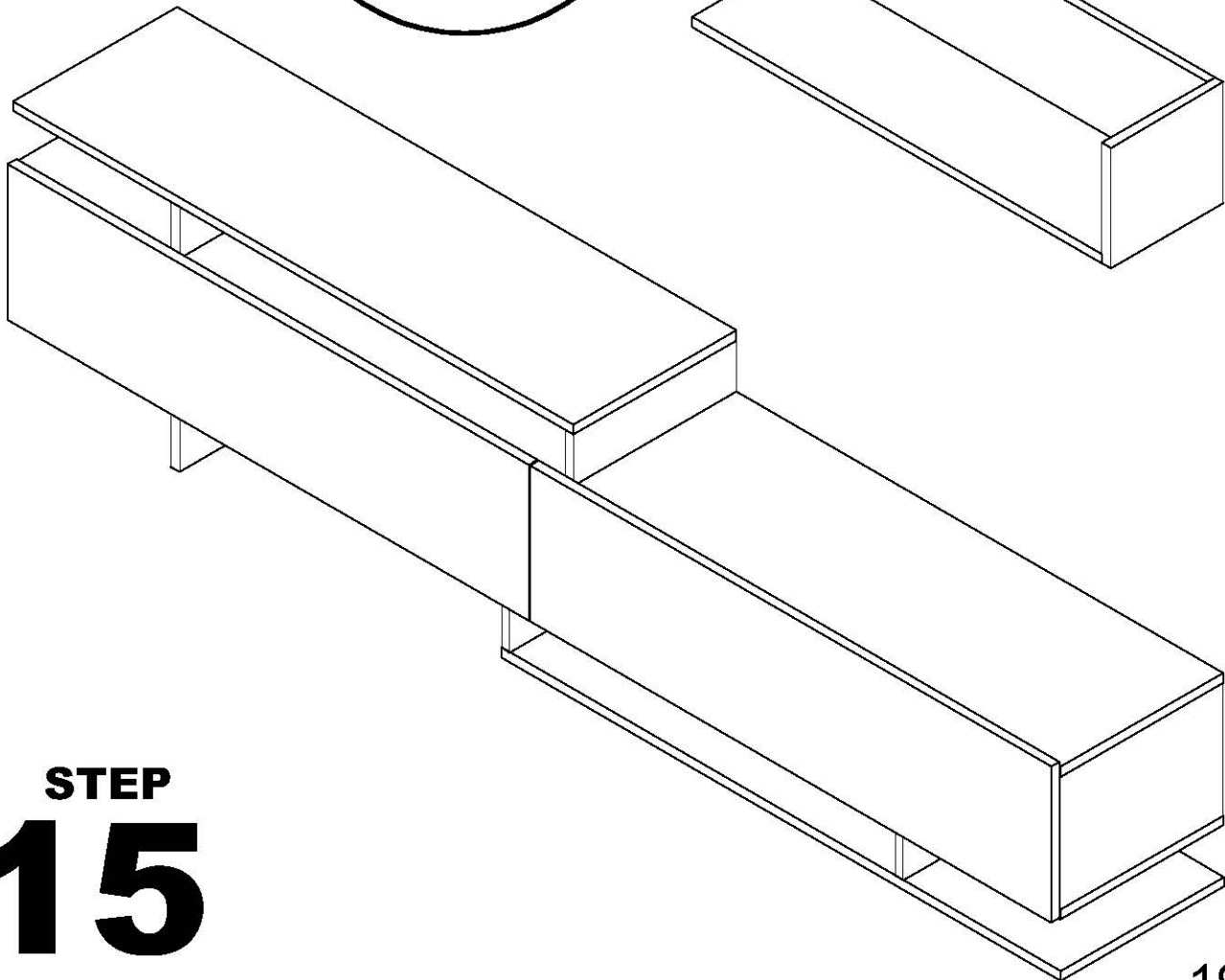
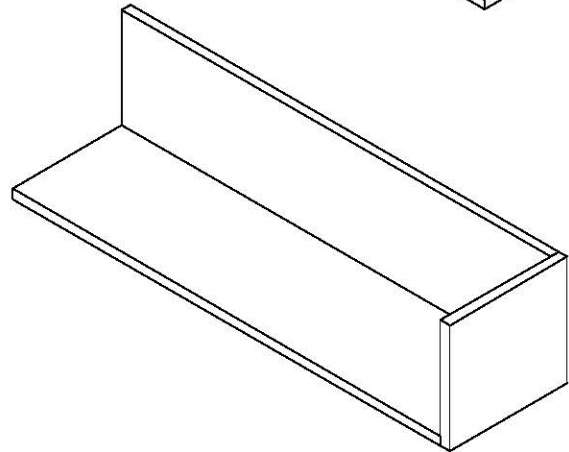
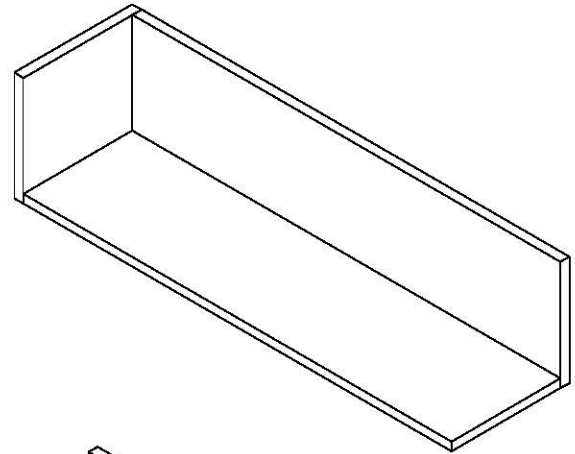
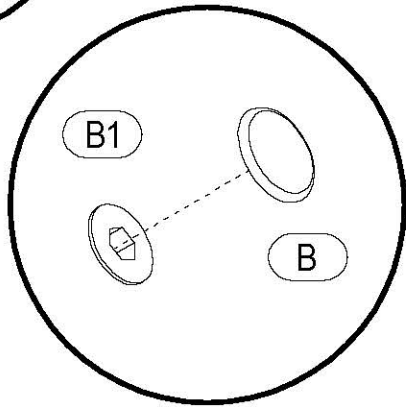
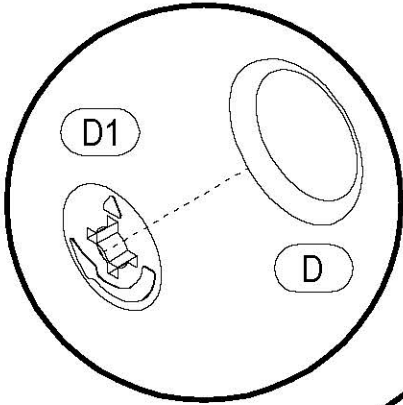
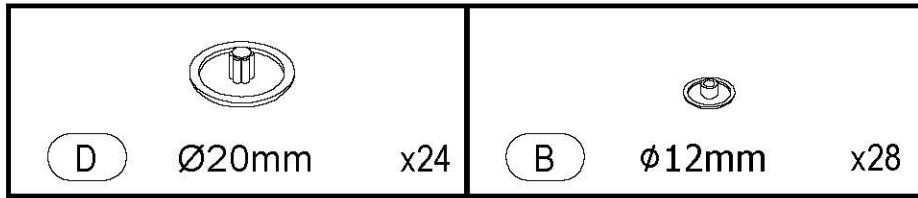


STEP 13

	
E22 4,2*65mm x4	H5 8*50mm x4



STEP 14



STEP
15

