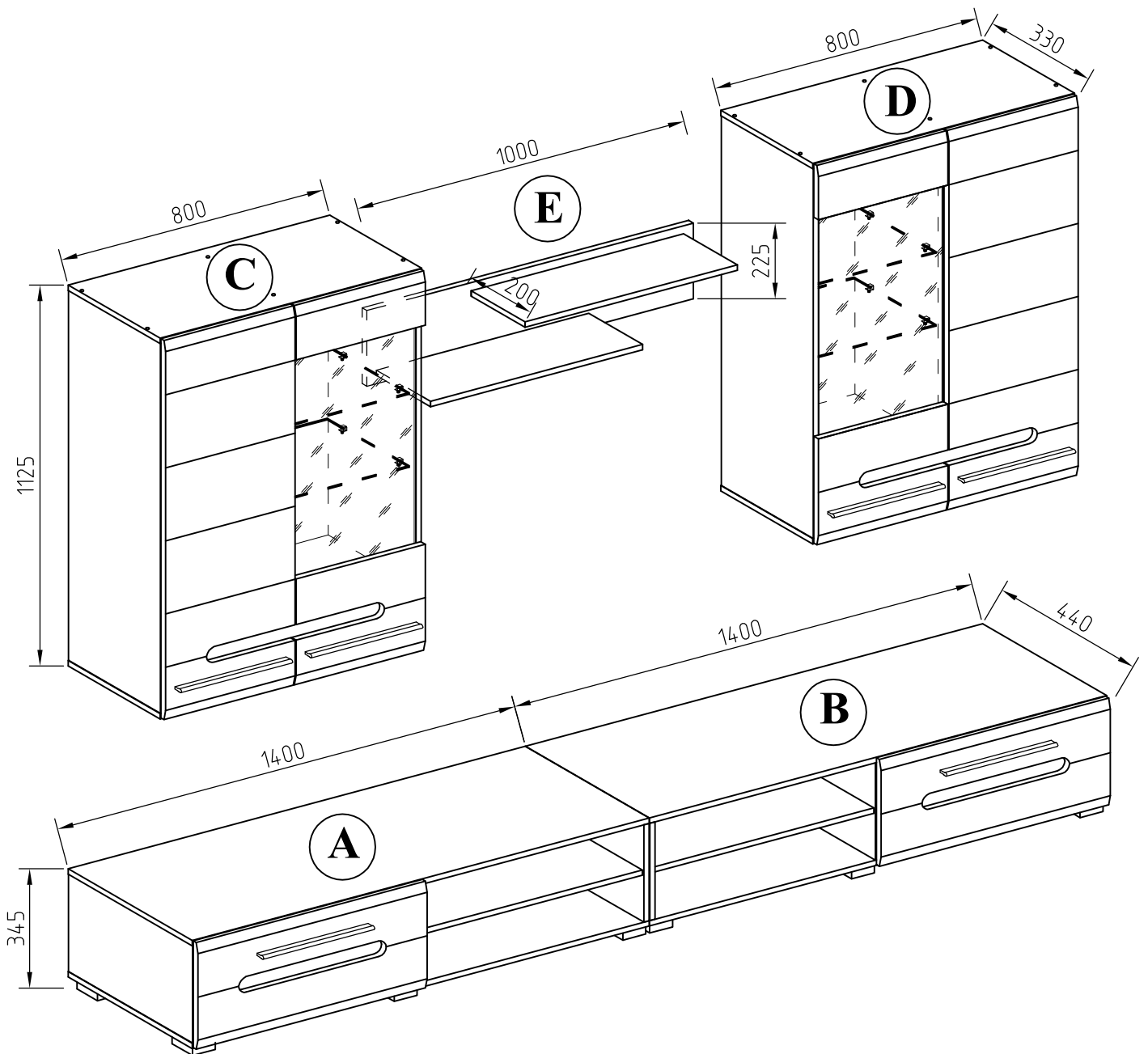
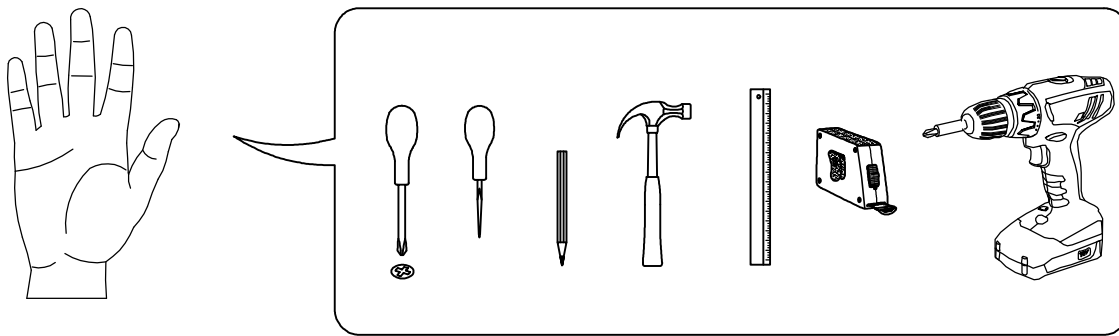



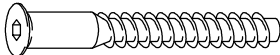
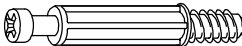
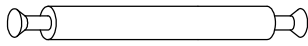
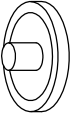







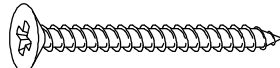

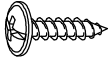

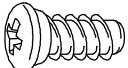

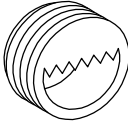
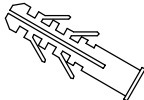
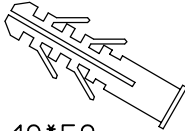
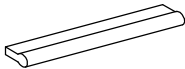
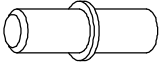

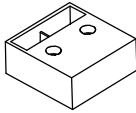
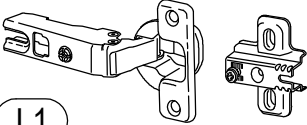
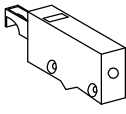
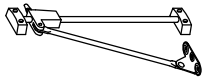

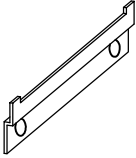
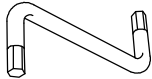




BYANKO

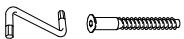




 (A1) 8*30mm x56	 (A1) 8*50mm x4	 (B) x30
 (B1) 6,3*50mm x30	 (C1) 5*30mm x38	 (C2) 8*56mm x4
 (D) x46	 (D1) 16mm x46	 (E3) 3*20mm x10
 (E4) 3,5*16 x40	 (E6) 3,5*25mm x16	 (E11) 4*30mm x8
 (E12) 4*35mm x24	 (E15) 4*60mm x2	 (E21) 6*60mm x8
 (Ea1) 3,5*27mm x18	 (Ea2) 4,2*16mm x16	 (F2) 6,3*13mm x28
 (F3) 6,3*13mm x2	 (H2) x28	 (H4) x2
 (H5) 8*50mm x2	 (H6) 10*50mm x8	 (I9) x6

 J1 5*16mm x24	 J3 x16	 K4 x12
 L1 x14	 N1 x4	 N4 2R+2L x4
 O1 x10	 O4 x4	 R4 N°4 x1
 U3 x12	 U7 M6 x12	

A

No	a*b	x	N°→...
1L	288x424	x1	2/5
1R	288x424	x1	2/5
2	286x424	x1	2/5
3	1400x424	x1	1/5
4	1400x424	x1	1/5
5	674x405	x1	2/5
6	560x80	x1	1/5
7	702x316	x1	4/5
8	1375x297	x1	1/5
		x1	2/5

B

No	a*b	x	N°→...
1L	288x424	x1	2/5
1R	288x424	x1	2/5
2	286x424	x1	2/5
3	1400x424	x1	1/5
4	1400x424	x1	1/5
5	674x405	x1	2/5
6	560x80	x1	1/5
7	702x316	x1	4/5
8	1375x297	x1	1/5

C

No	a*b	x	N ^p →...
1L	1094x314	x1	3/5
1R	1094x314	x1	3/5
2	1094x284	x1	3/5
3	801x314	x1	1/5
4	801x314	x1	1/5
5	370x284	x1	1/5
6	381x284	x1	1/5
7	369x280	x2	1/5
8	374x280	x2	5/5
9	767x60	x1	1/5
10a	316x396	x1	4/5
10b	158x396	x1	4/5
10c	708x380	x1	5/5
11	1122x396	x1	4/5
12	1103x393	x1	4/5
13	1103x382	x1	4/5

D

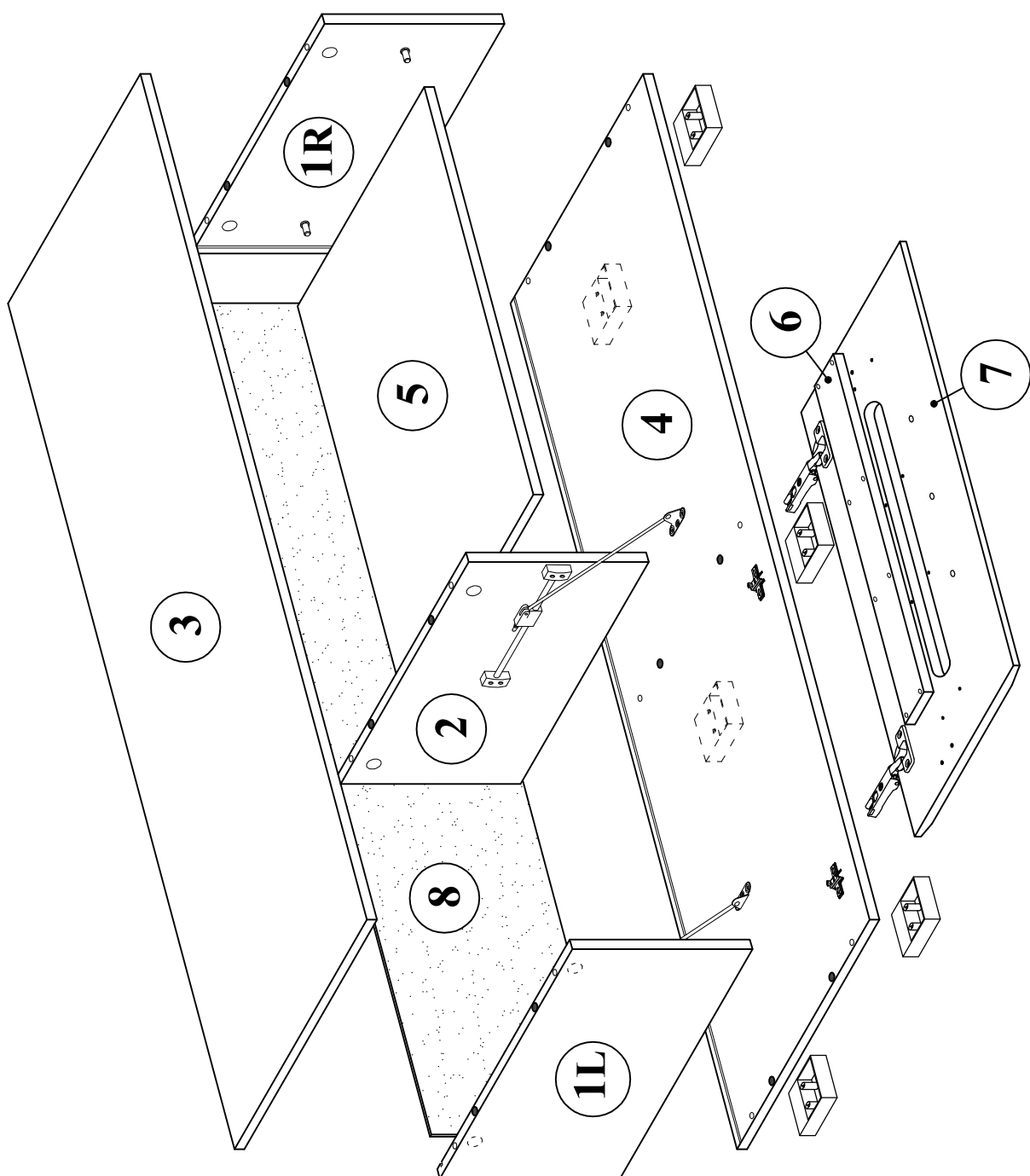
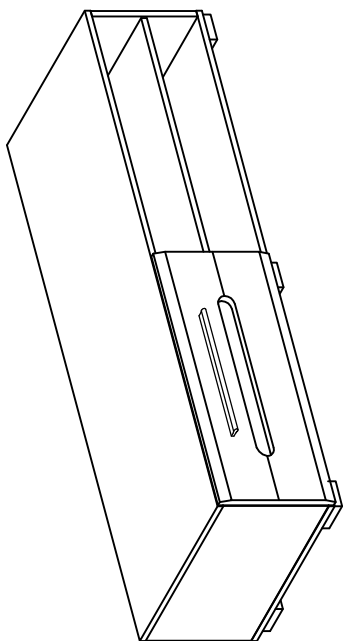
No	a*b	x	N ^p →...
1L	1094x314	x1	3/5
1R	1094x314	x1	3/5
2	1094x284	x1	3/5
3	801x314	x1	1/5
4	801x314	x1	1/5
5	370x284	x1	1/5
6	381x284	x1	1/5
7	369x280	x2	1/5
8	374x280	x2	5/5
9	767x60	x1	1/5
10a	316x396	x1	4/5
10b	158x396	x1	4/5
10c	708x380	x1	5/5
11	1122x396	x1	4/5
12	1103x393	x1	4/5
13	1103x382	x1	4/5


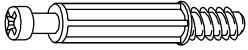

E

No	a*b	x	N ^p →...
1	1000x224	x1	3/5
2	650x184	x2	2/5

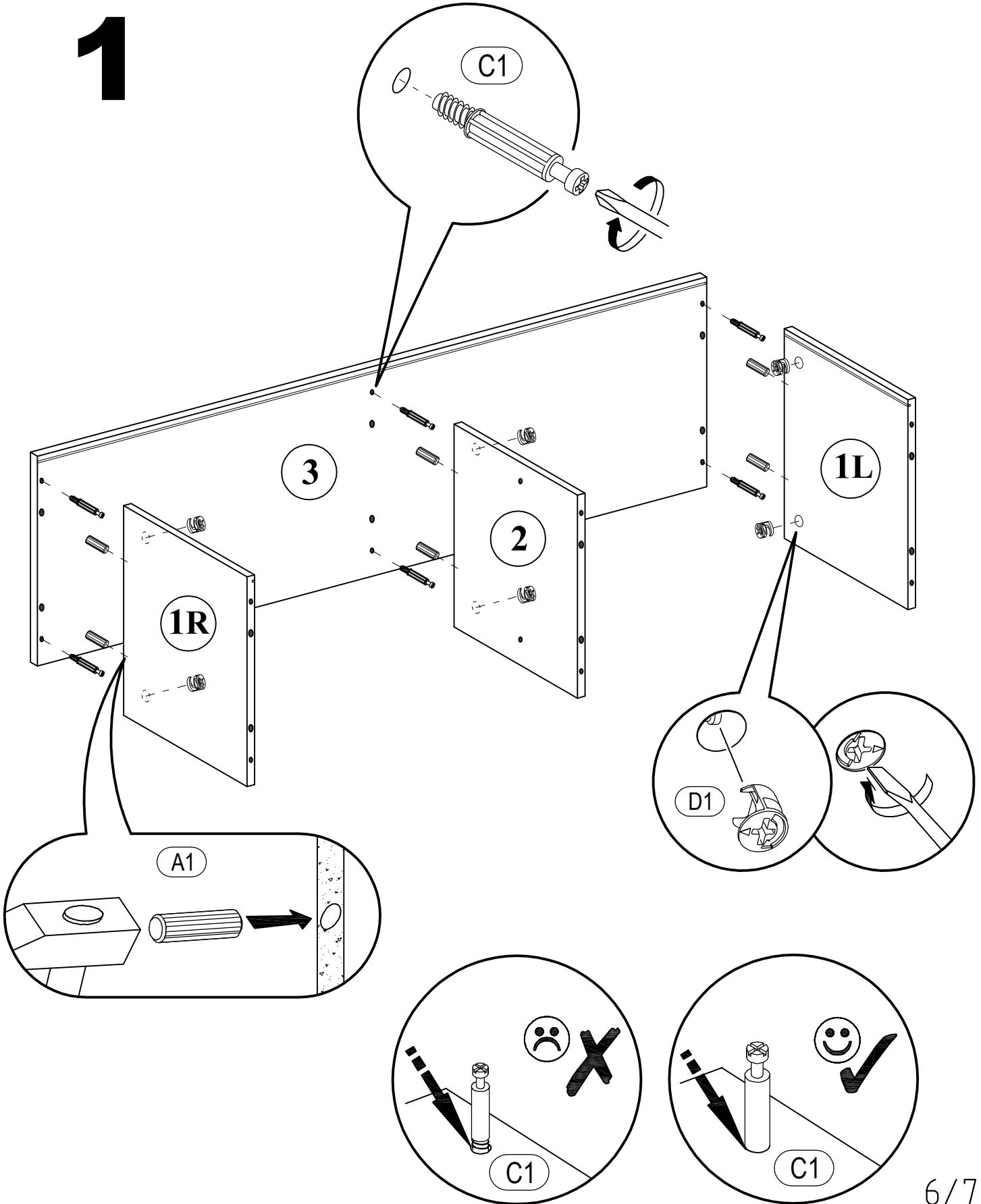
A



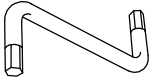
BYANKO



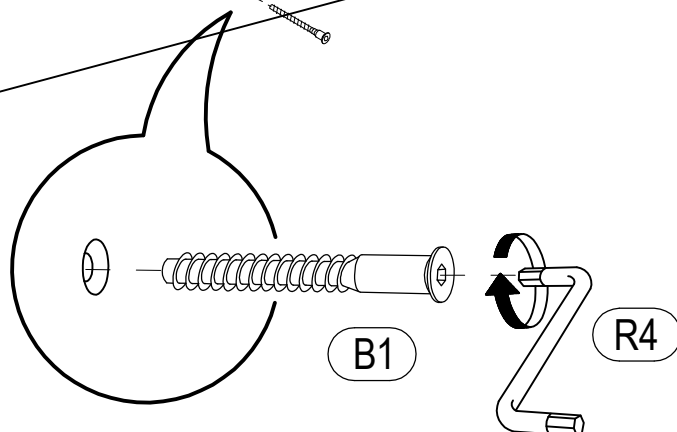
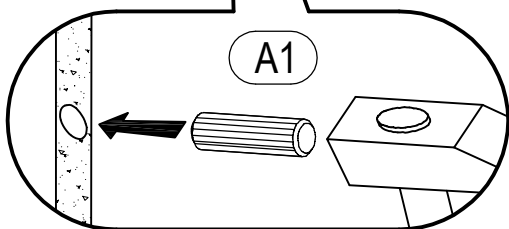
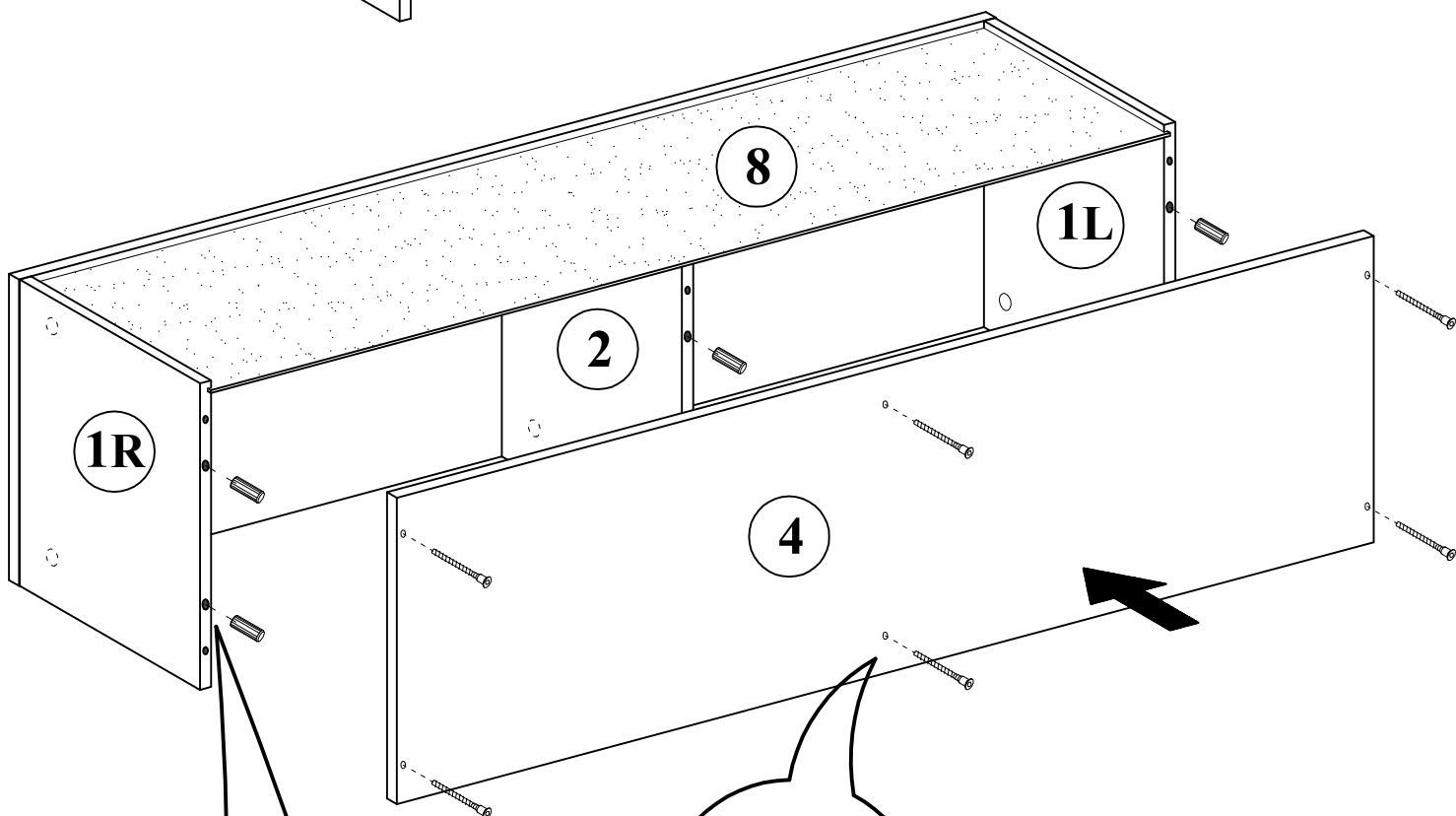
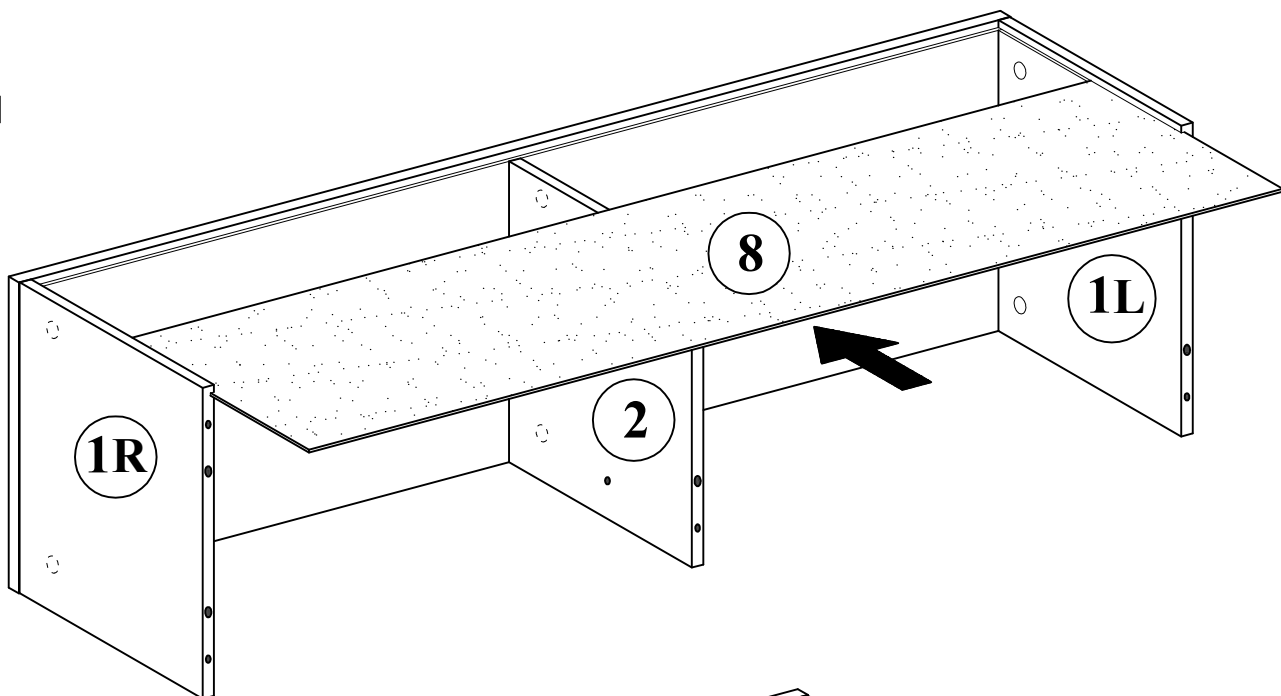
 A1 8*30mm x6	 C1 5*30mm x6	 D1 16mm x6
---	--	---

1



 <p>A1 8*30mm x6</p>	 <p>B1 6,3*50mm x6</p>	 <p>R4 N°4 x1</p>
---	--	--

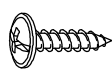

2

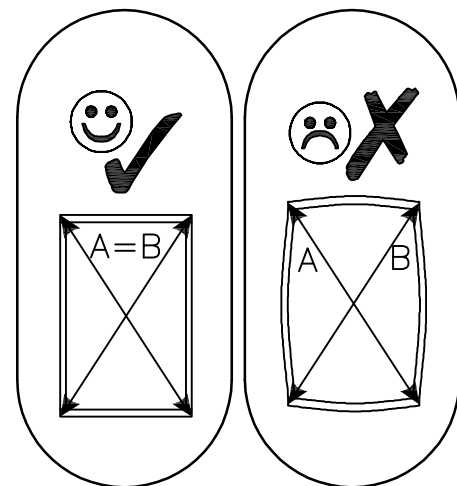
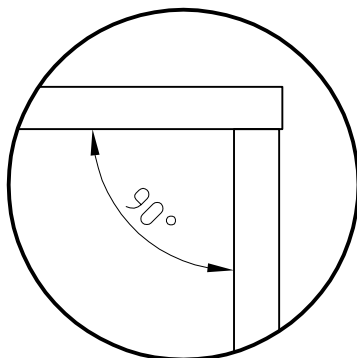
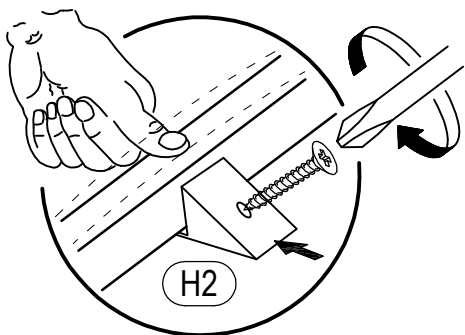
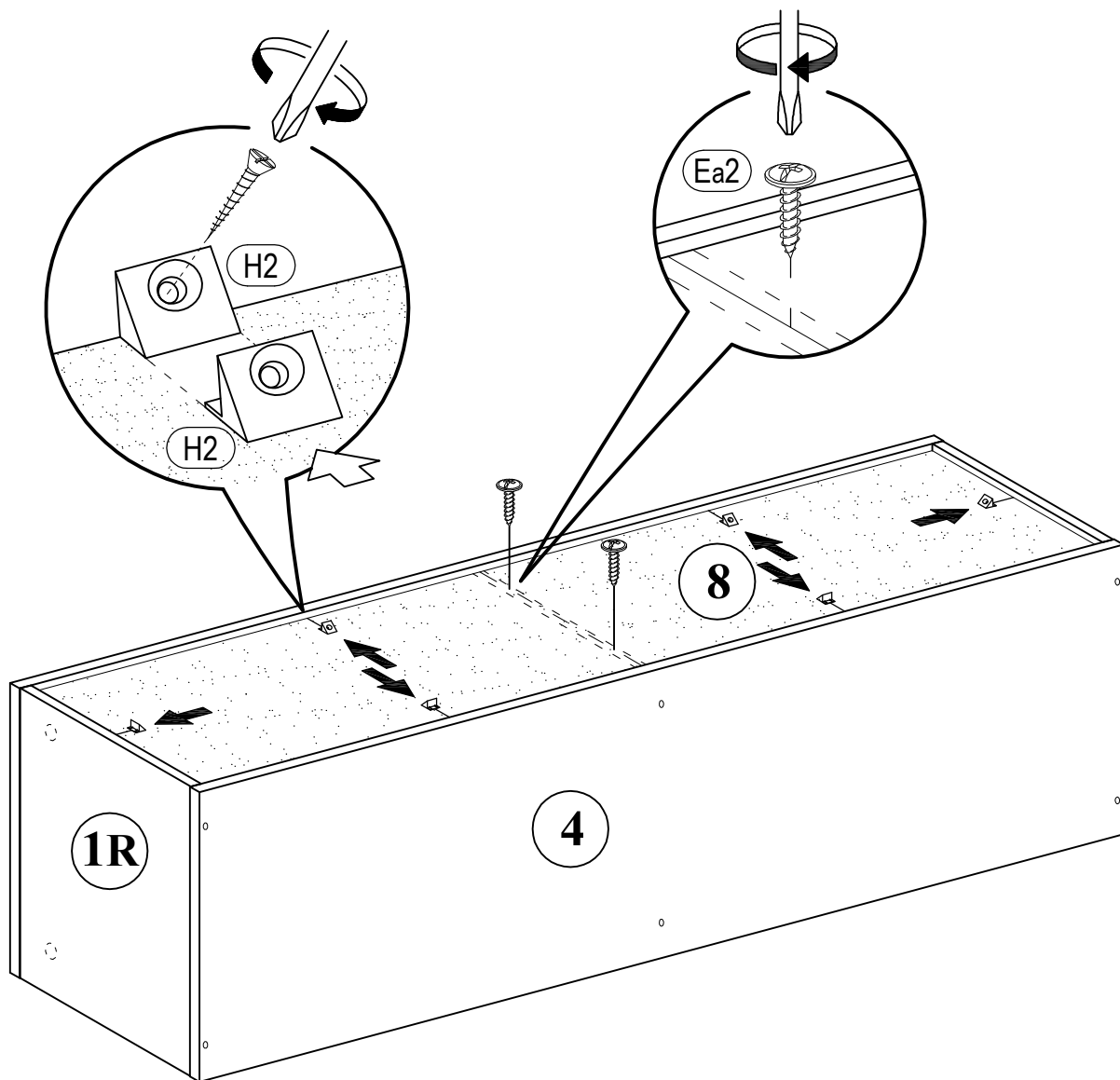


A

BYANKO


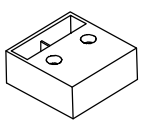
3

 Ea2 4,2*16mm x2	 H2 x6
--	--

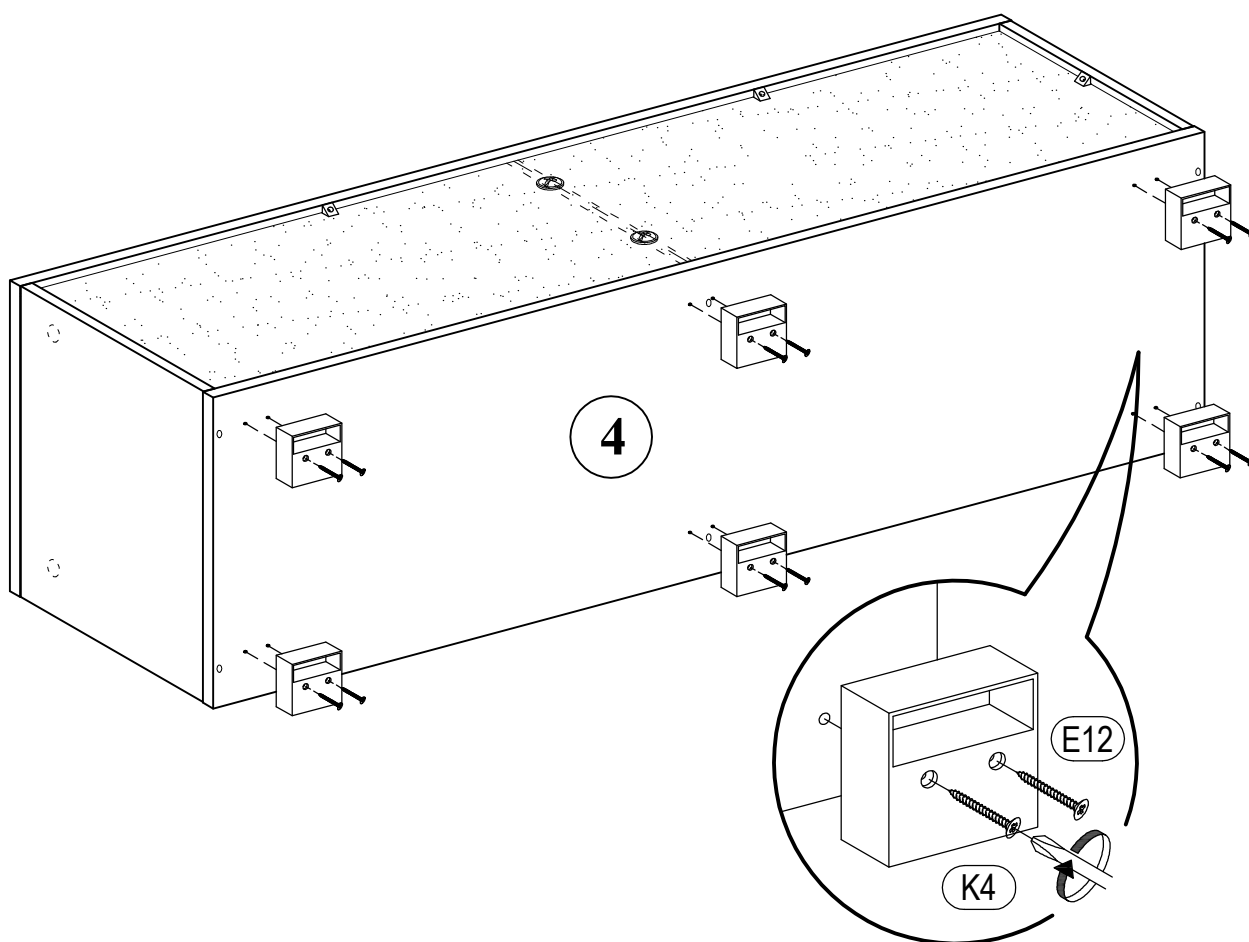


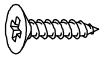

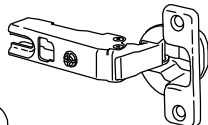
A

BYANKO

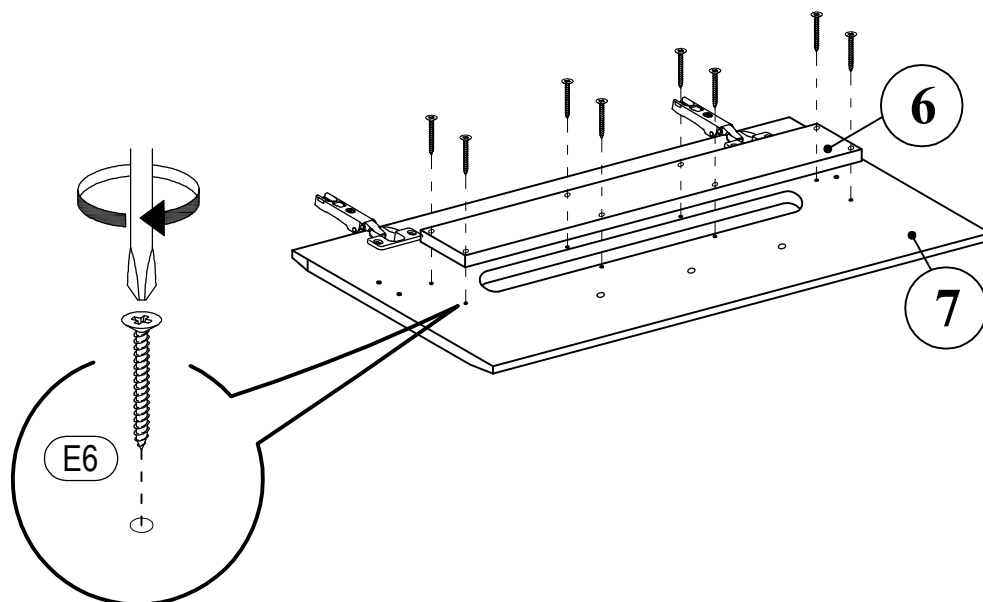
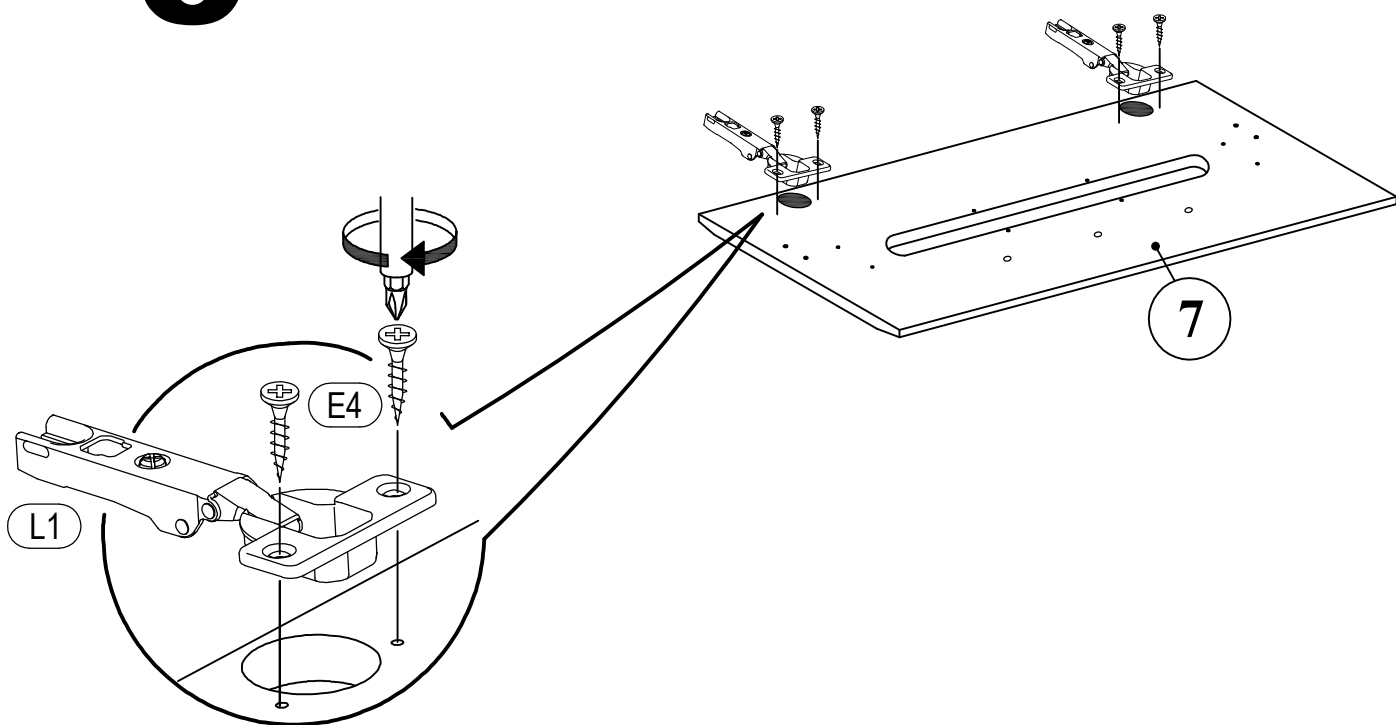
 E12 4*35mm x12	 K4 x6
---	--



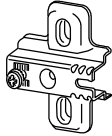
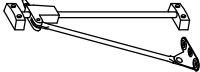
4



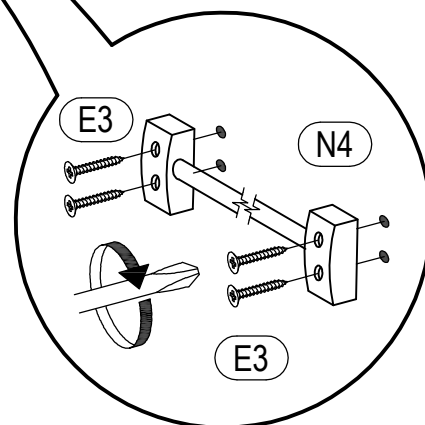
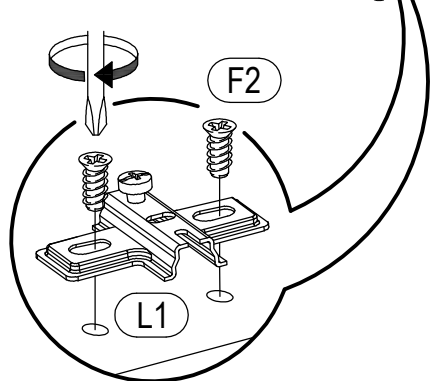
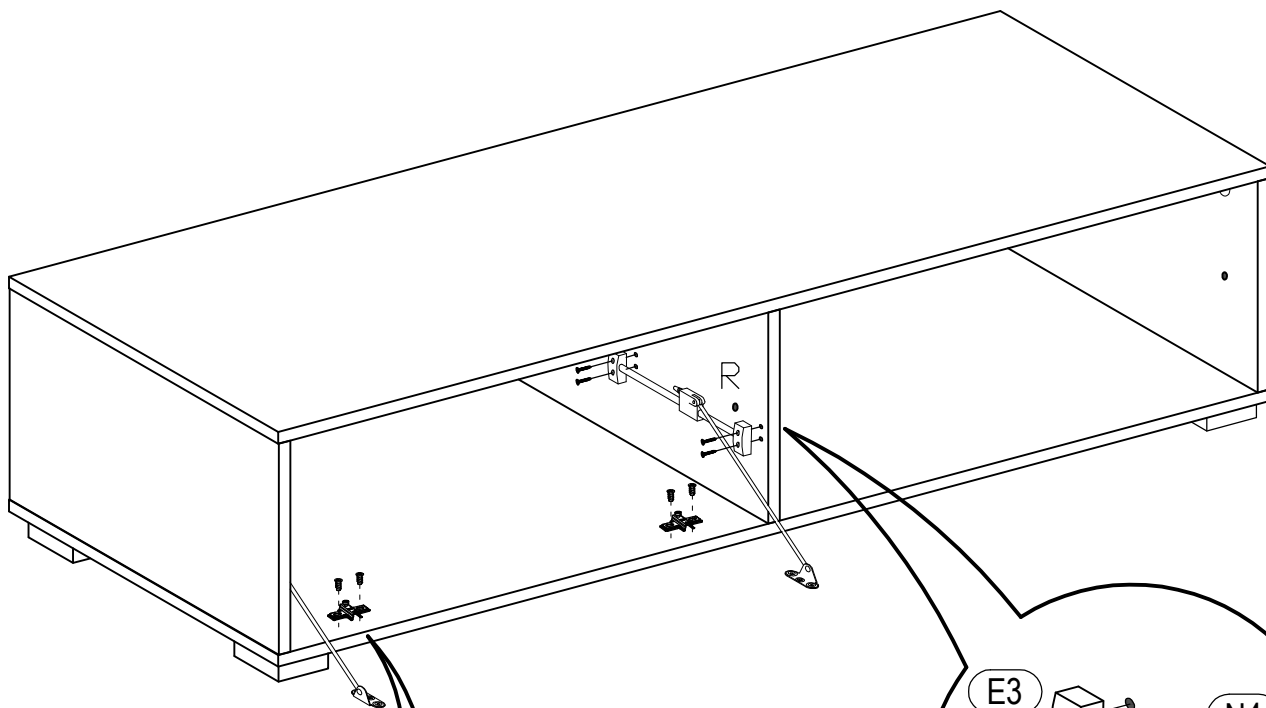
 <p>(E4) 3,5*16 x4</p>	 <p>(E6) 3,5*25mm x8</p>	 <p>(L1) x2</p>
---	---	--

5



 E3 3*20mm x8	 F2 6,3*13mm x4	 L1 x2
		 N4 1R+1L x2

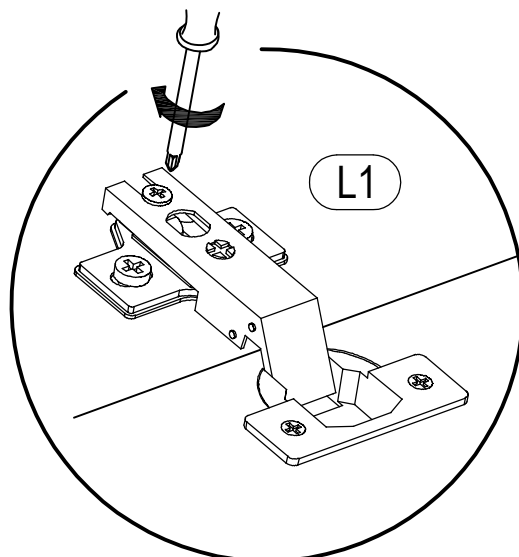
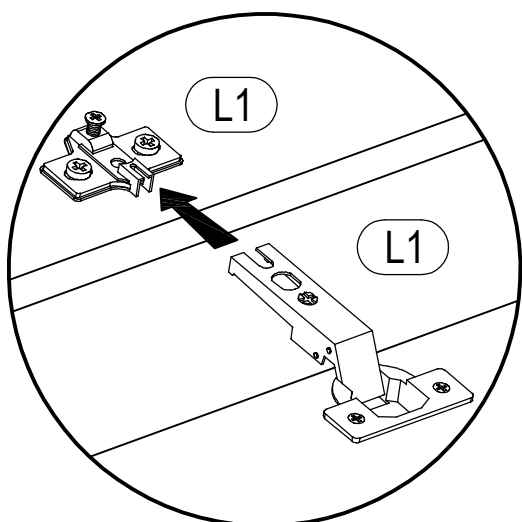
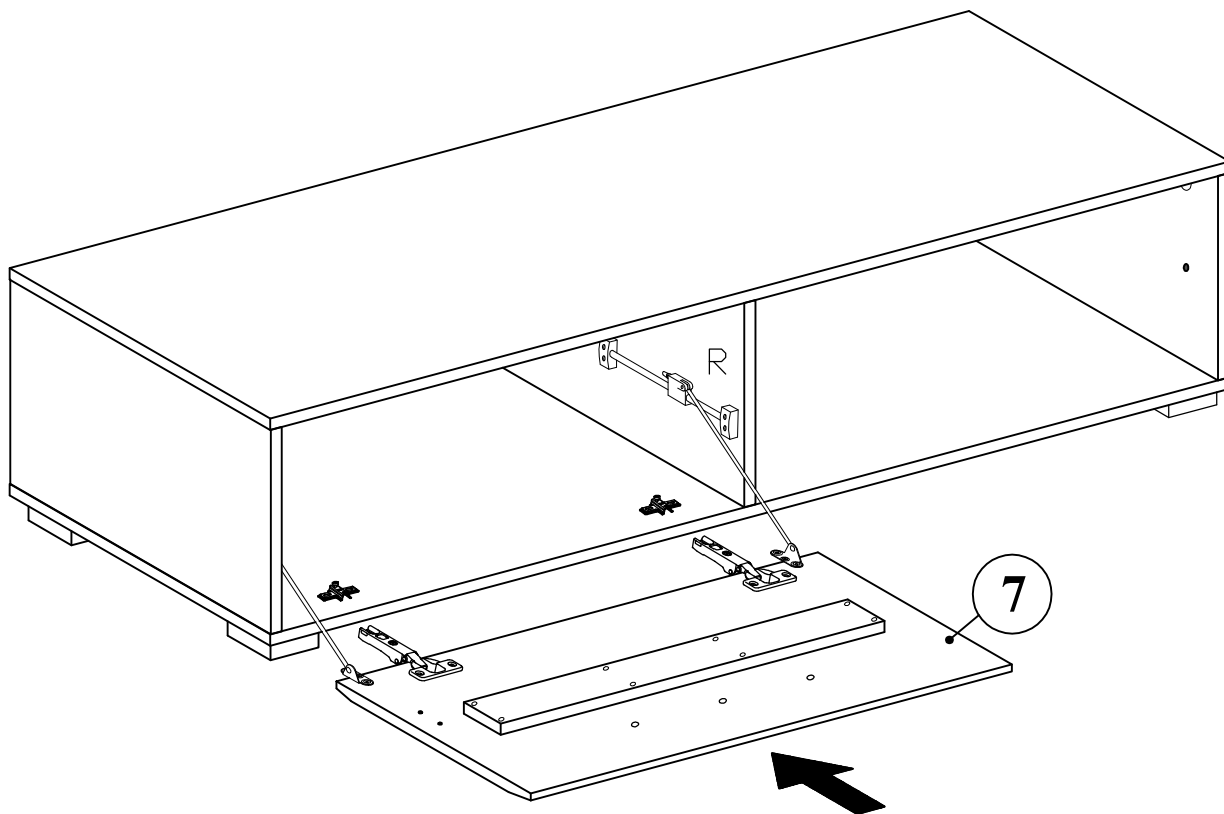
6



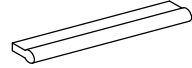


A

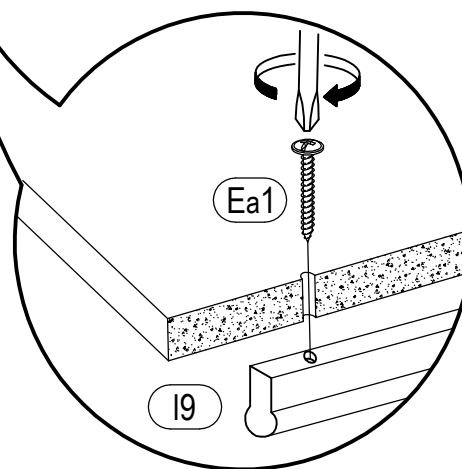
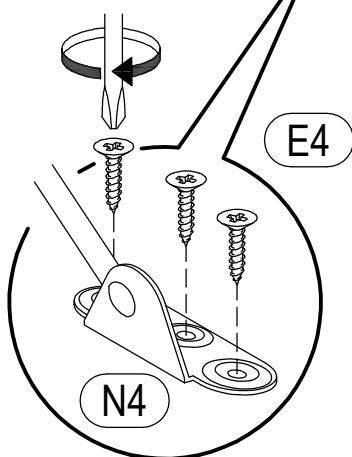
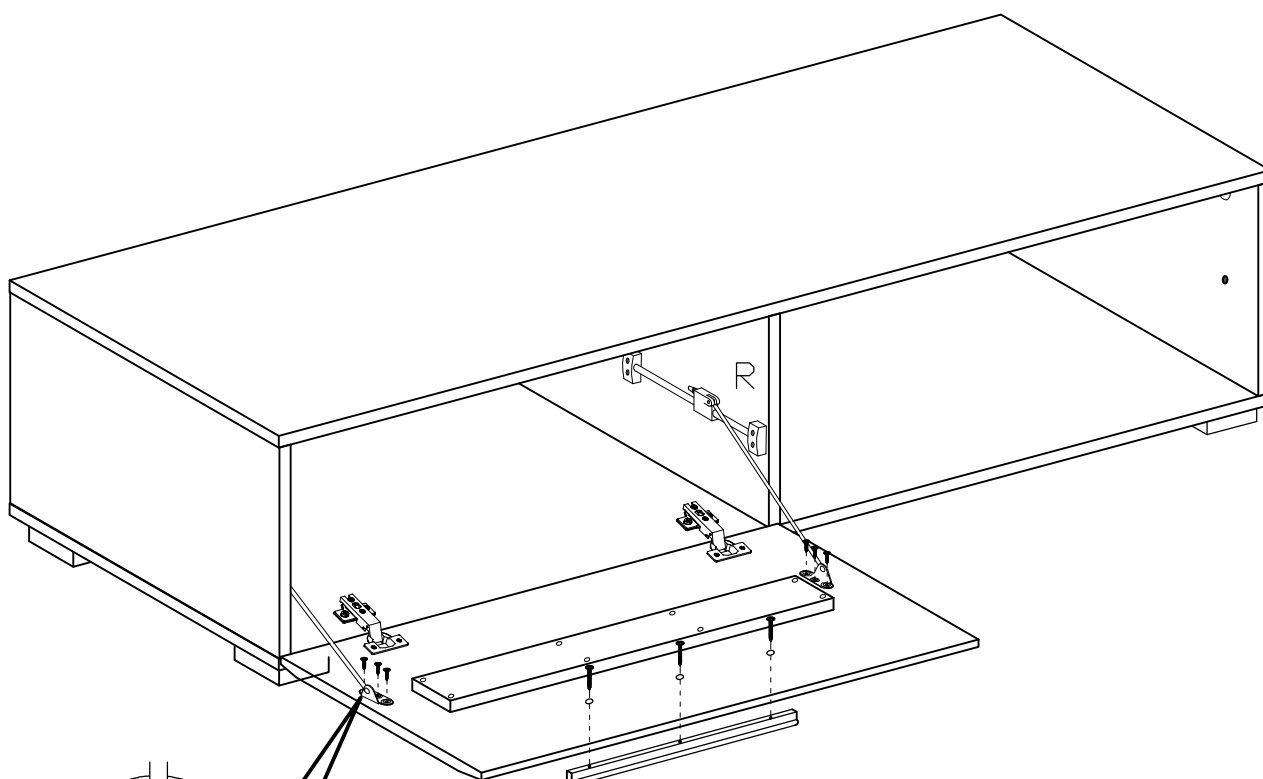
BYANKO


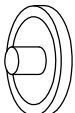


7



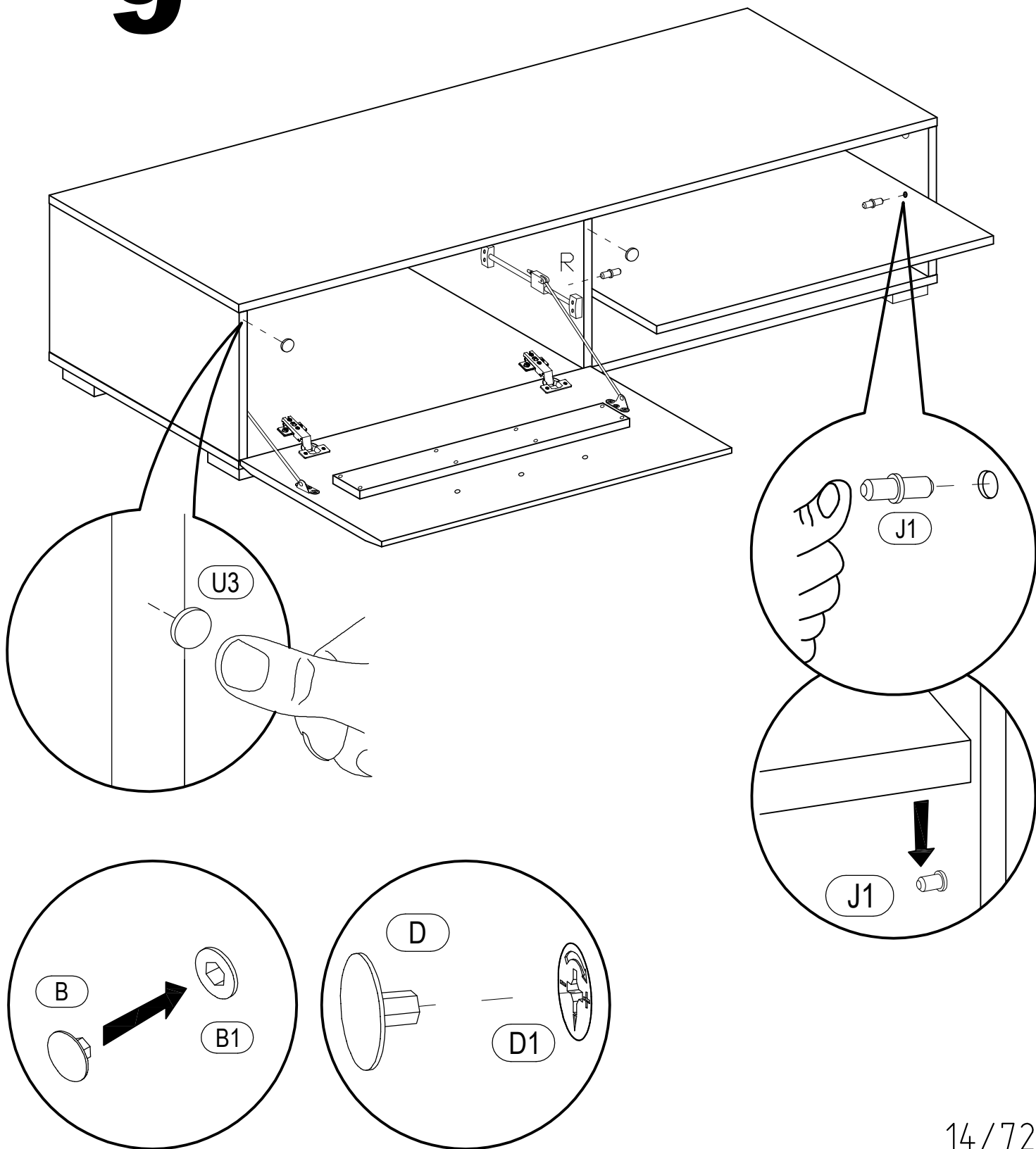
 E4 3,5*16 x6	 Ea1 3,5*27mm x3	 I9 x1
---	--	--

8



<p>B</p>  <p>x6</p>	<p>D</p>  <p>x6</p>	<p>J1</p>  <p>5*16mm</p> <p>x4</p>
<p>U3</p>  <p>x2</p>		

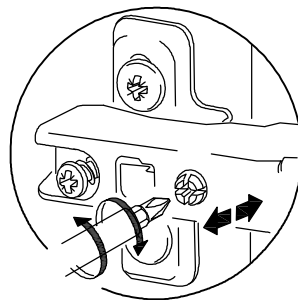
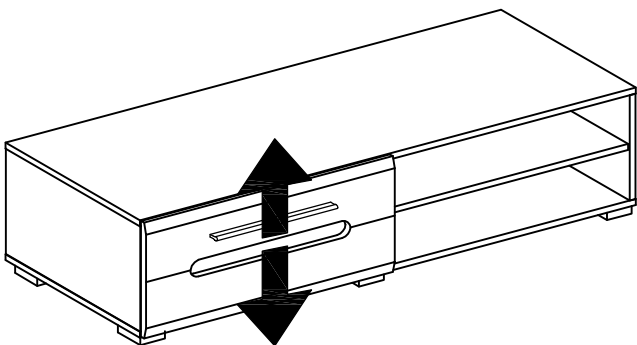
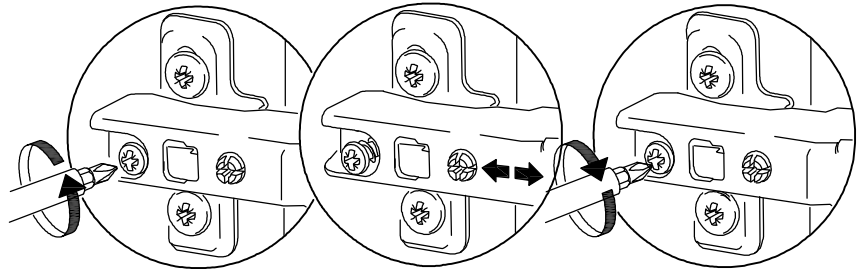
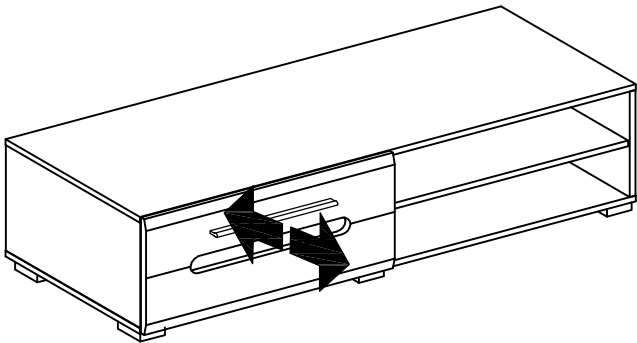
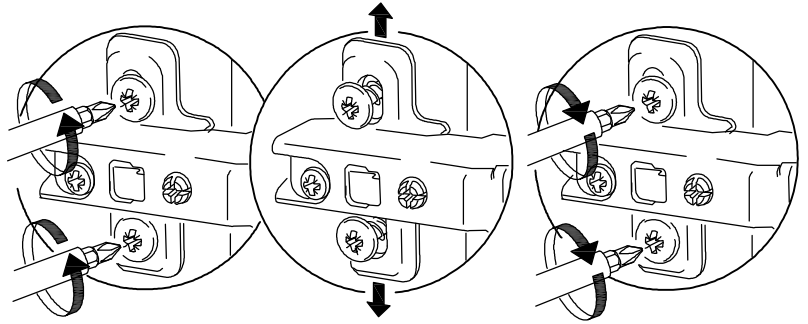
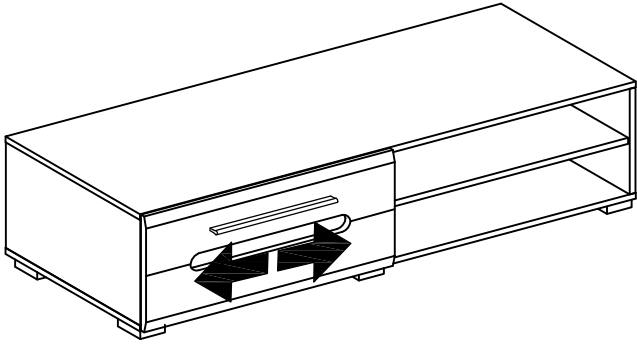
9



A

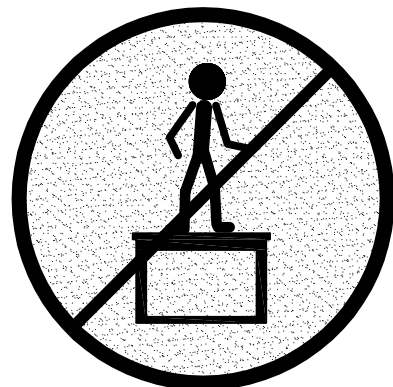
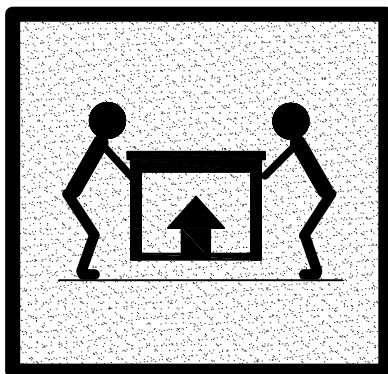
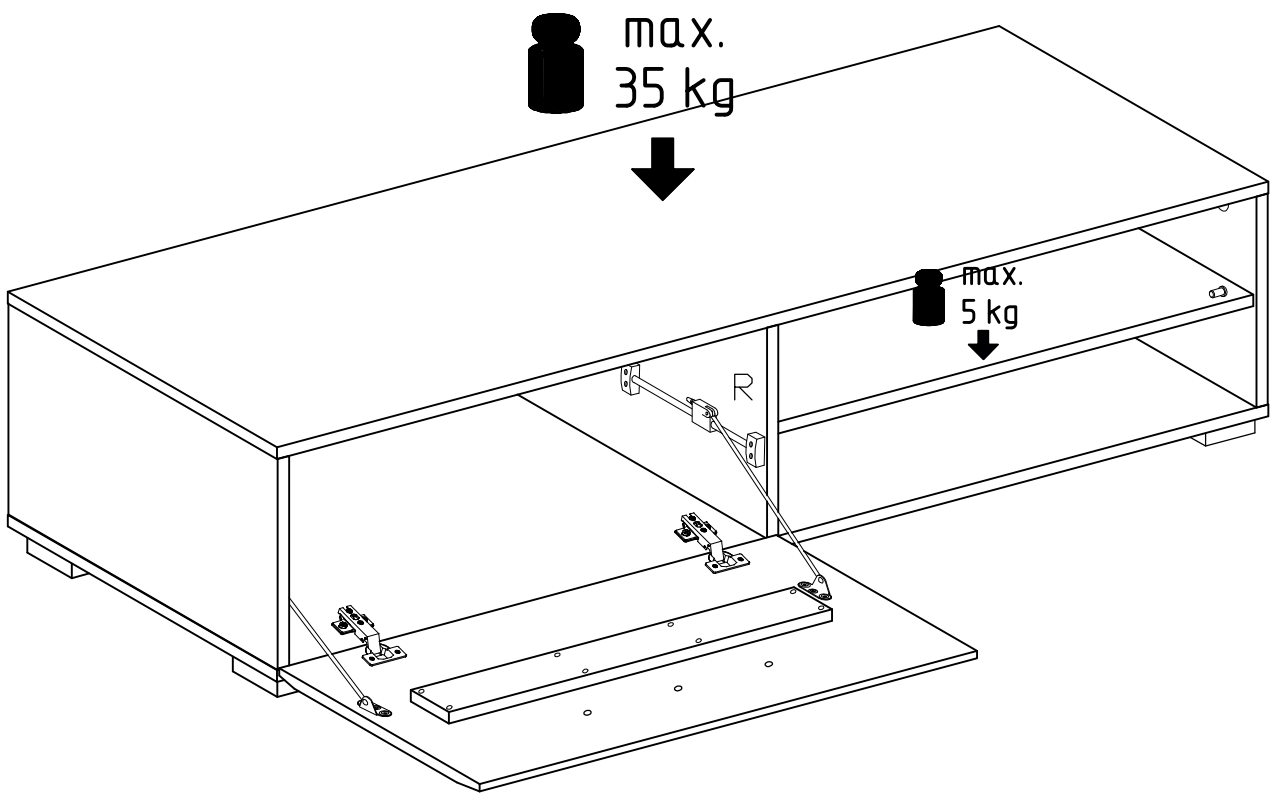
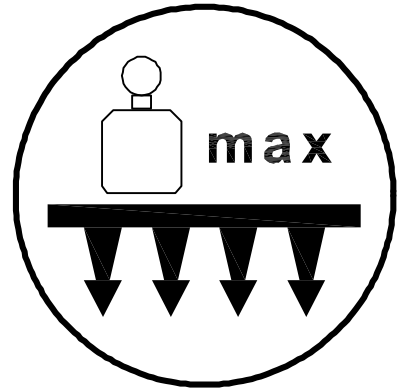
BYANKO

10



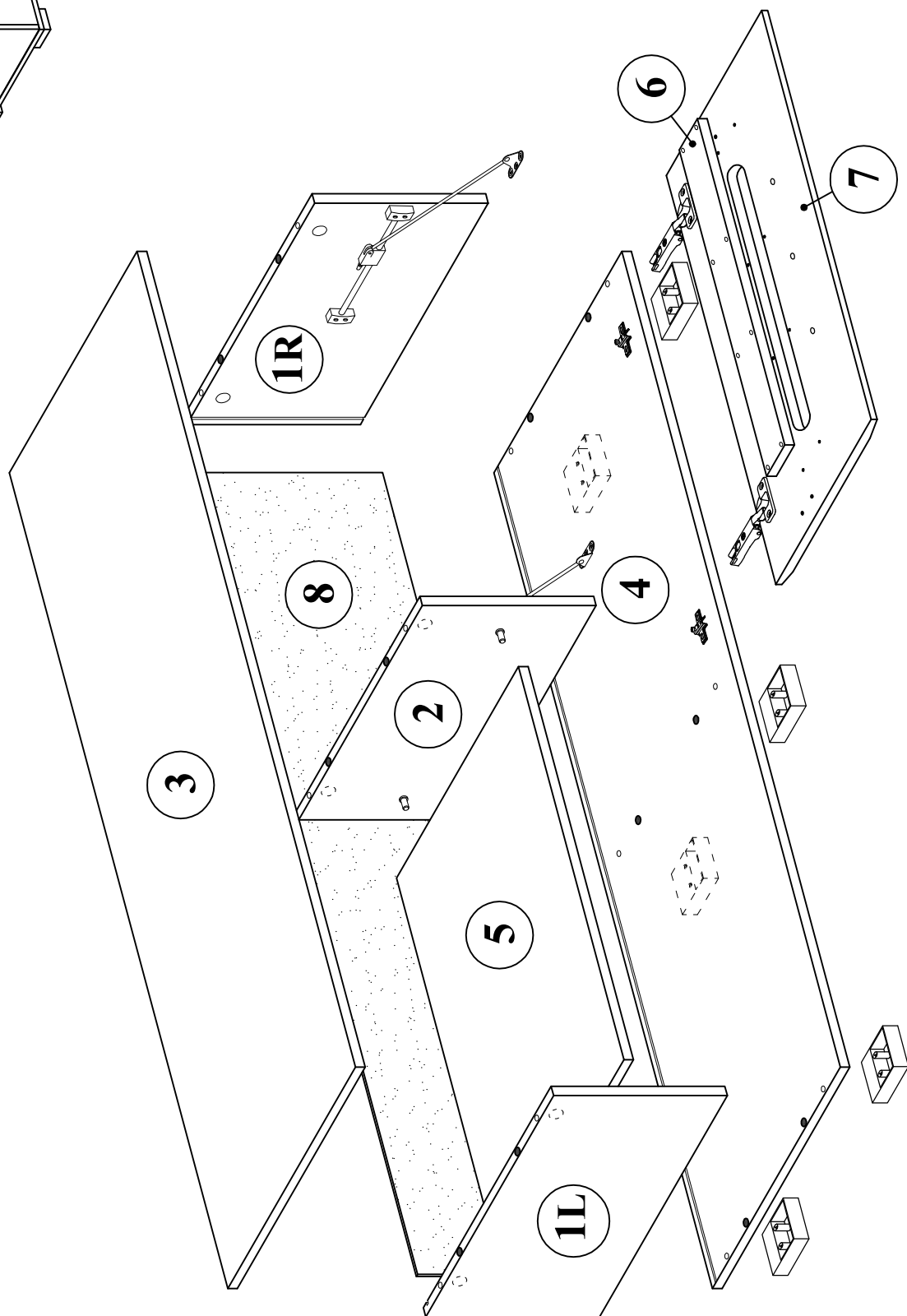
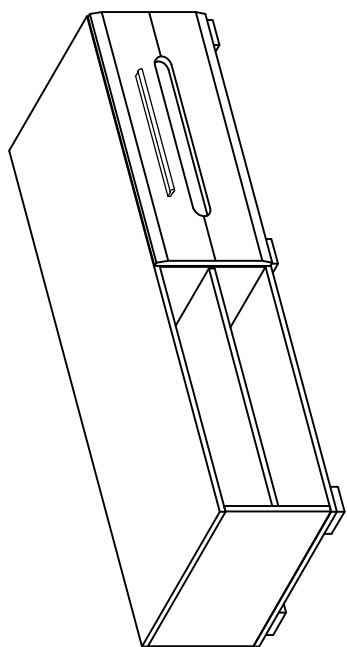
A

BYANKO




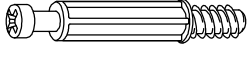

B

BYANKO

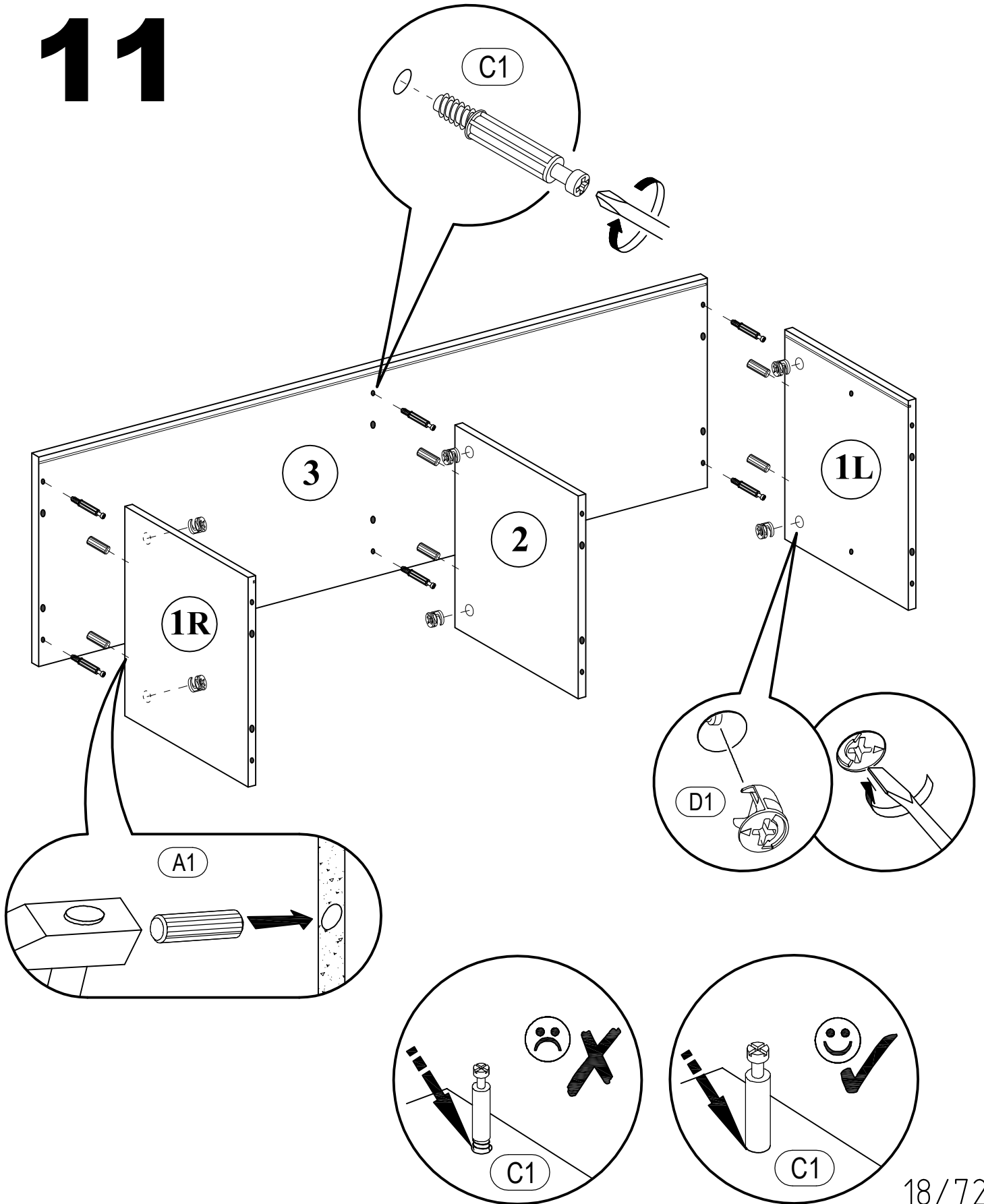




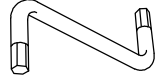
B

BYANKO

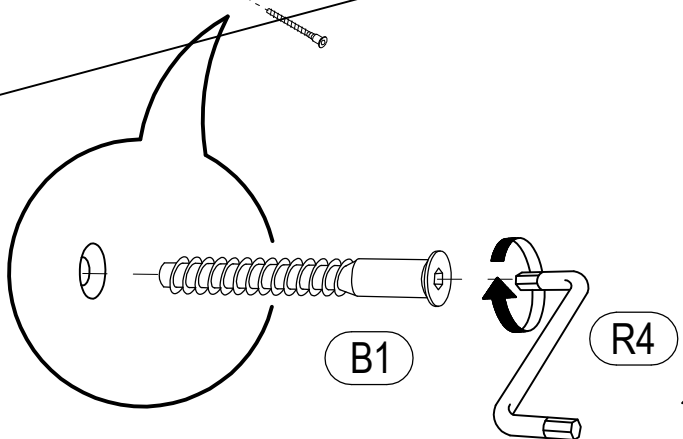
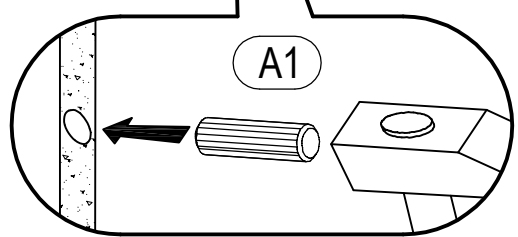
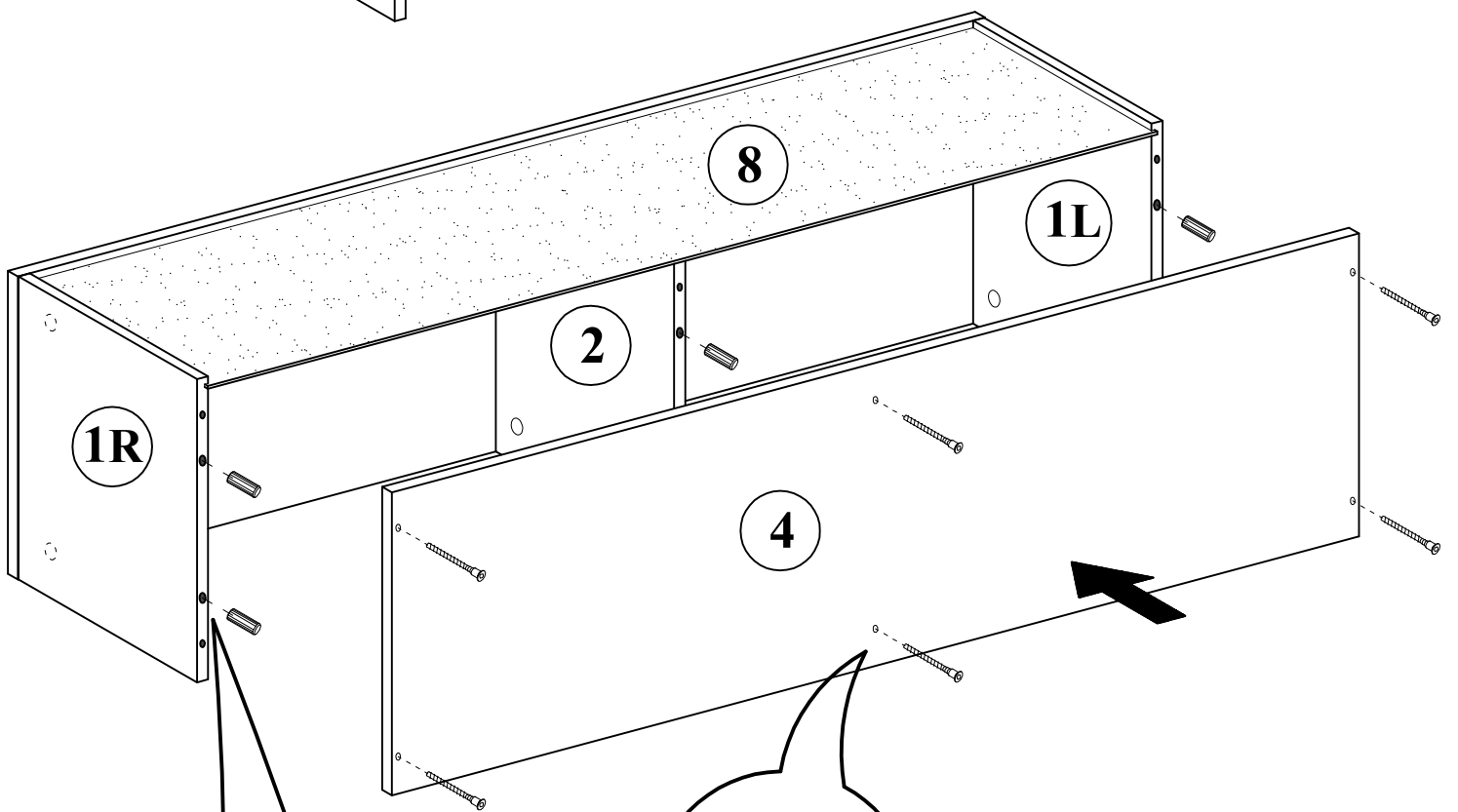
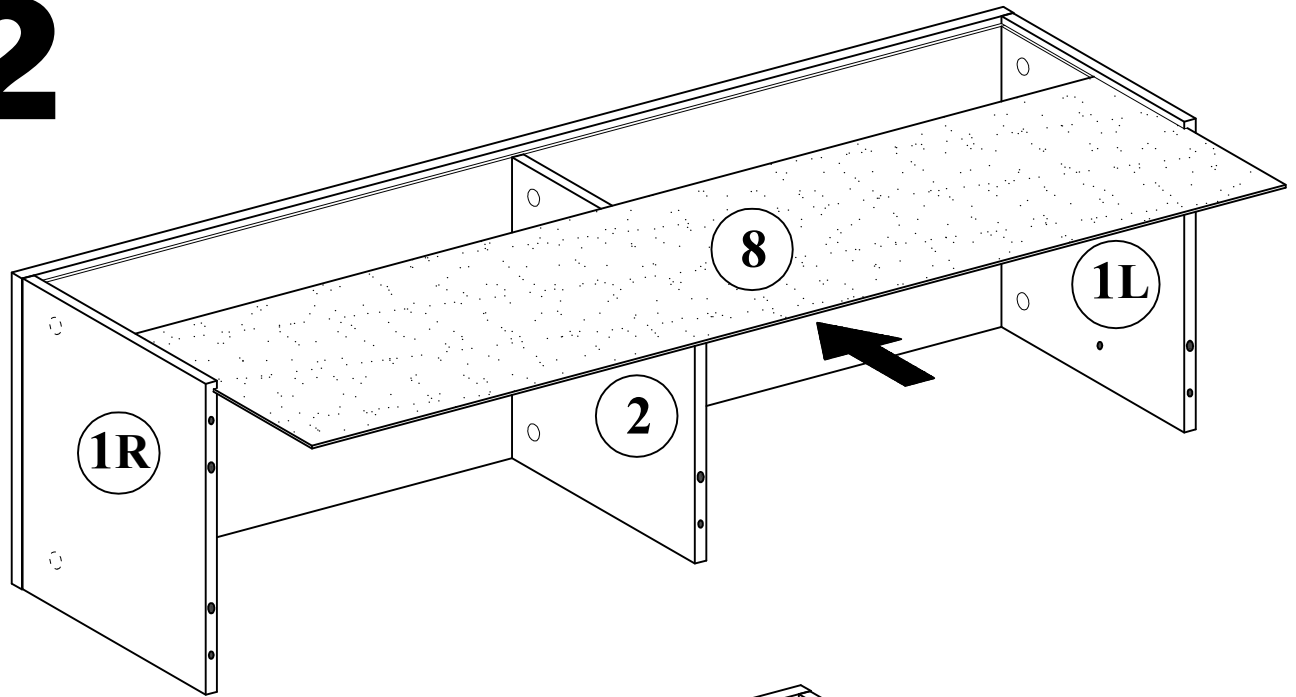
 <p>A1 8*30mm x6</p>	 <p>C1 5*30mm x6</p>	 <p>D1 16mm x6</p>
--	---	--

11

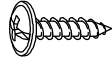



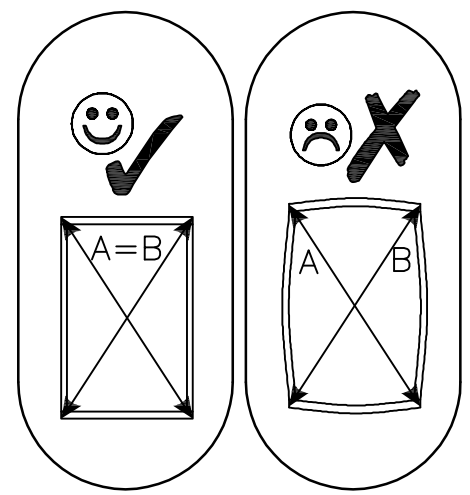
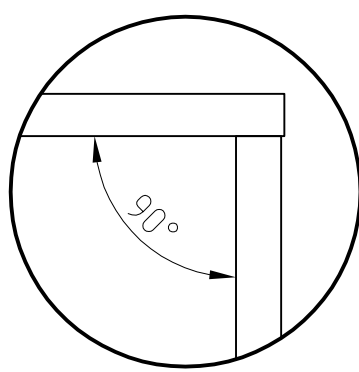
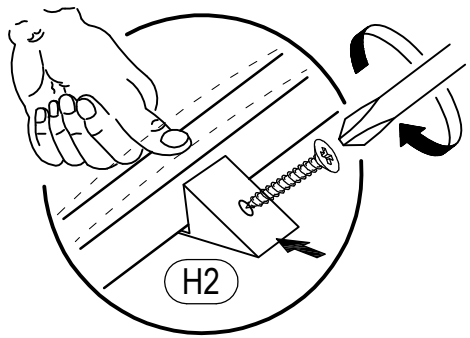
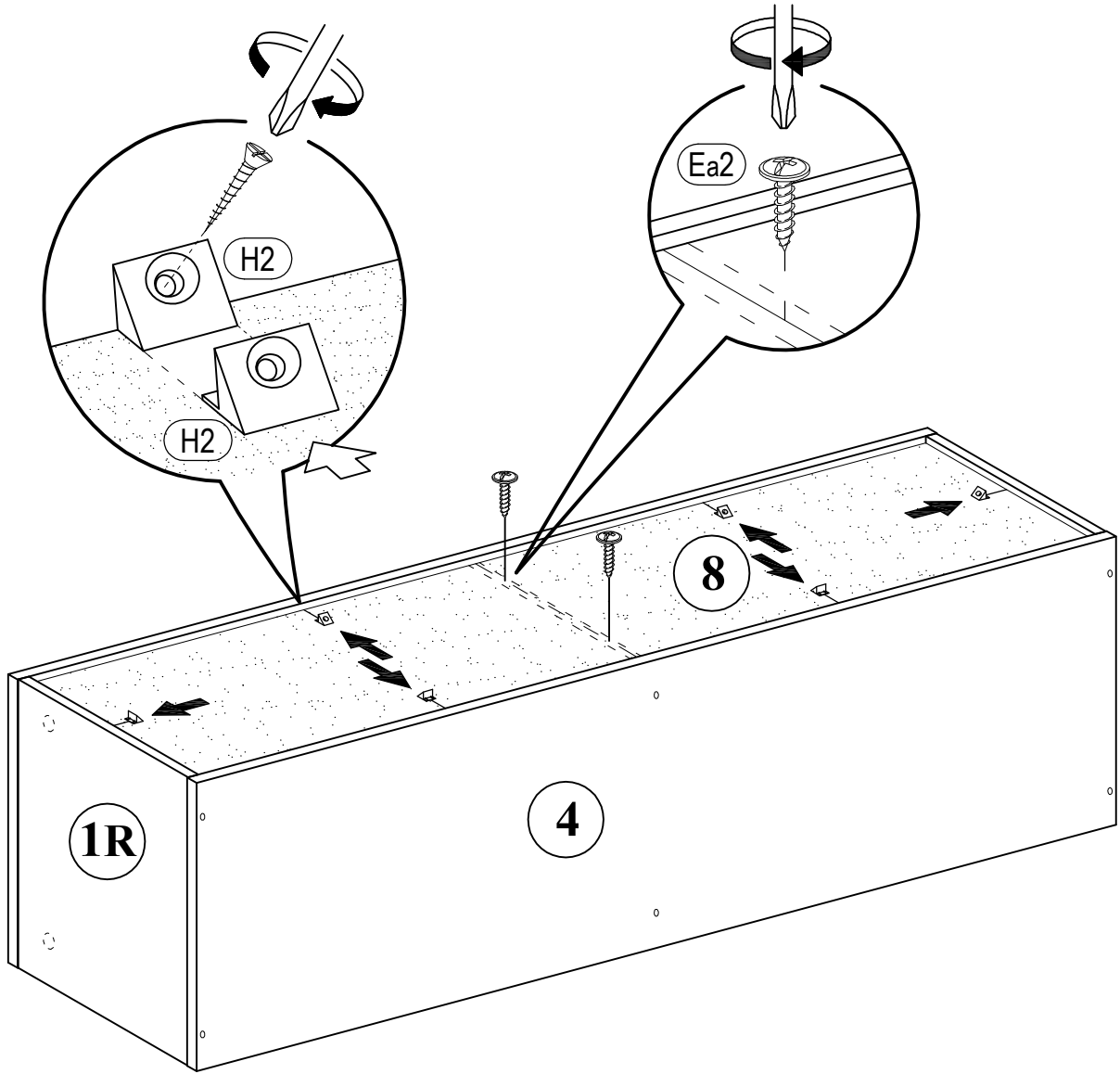
 <p>A1 8*30mm x6</p>	 <p>B1 6,3*50mm x6</p>	 <p>R4 N°4 x1</p>
--	---	---

12




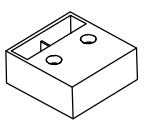
13

 (Ea2) 4,2*16mm x2	 (H2) x6
--	--

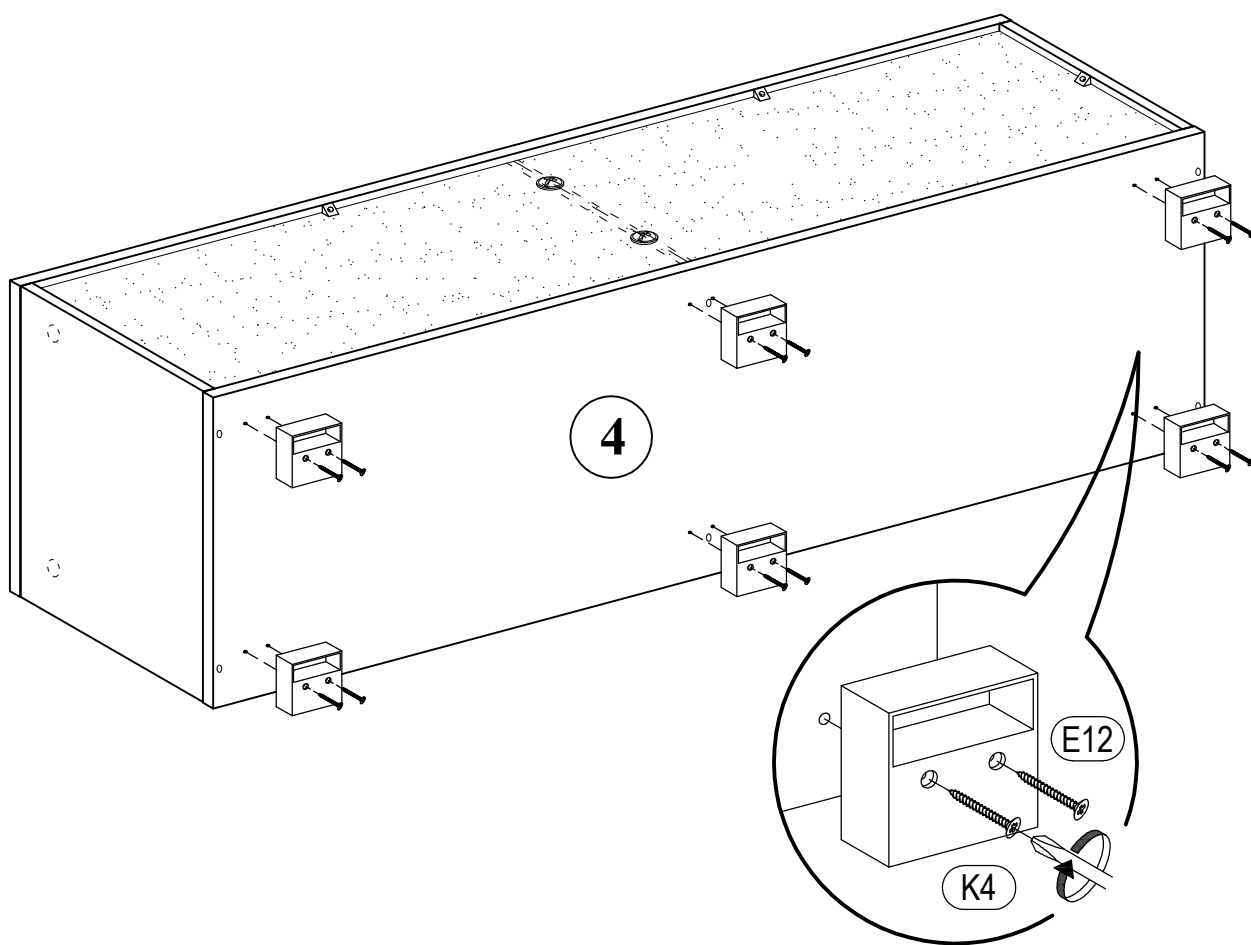


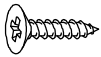

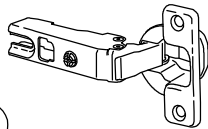
B

BYANKO

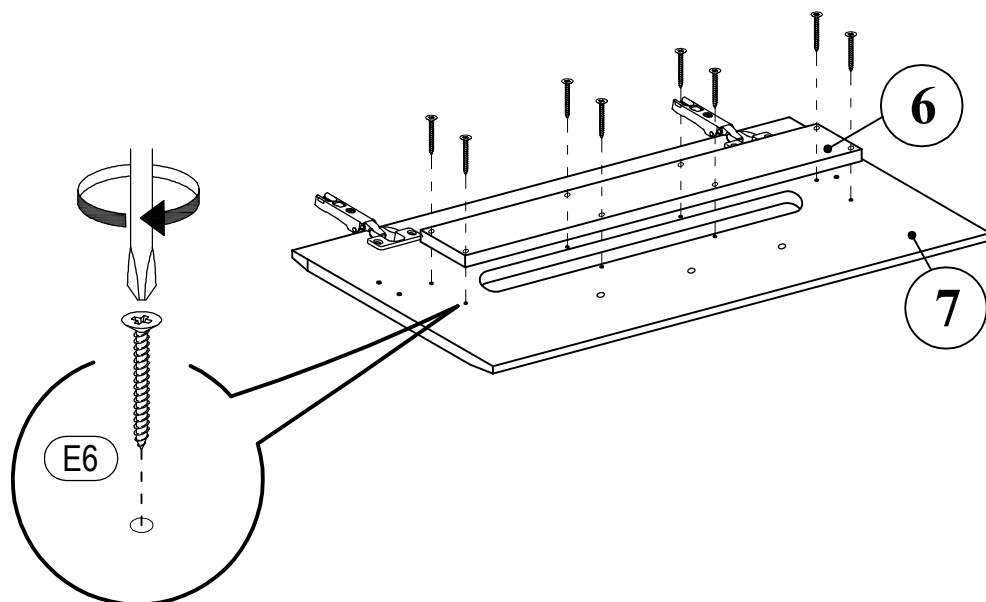
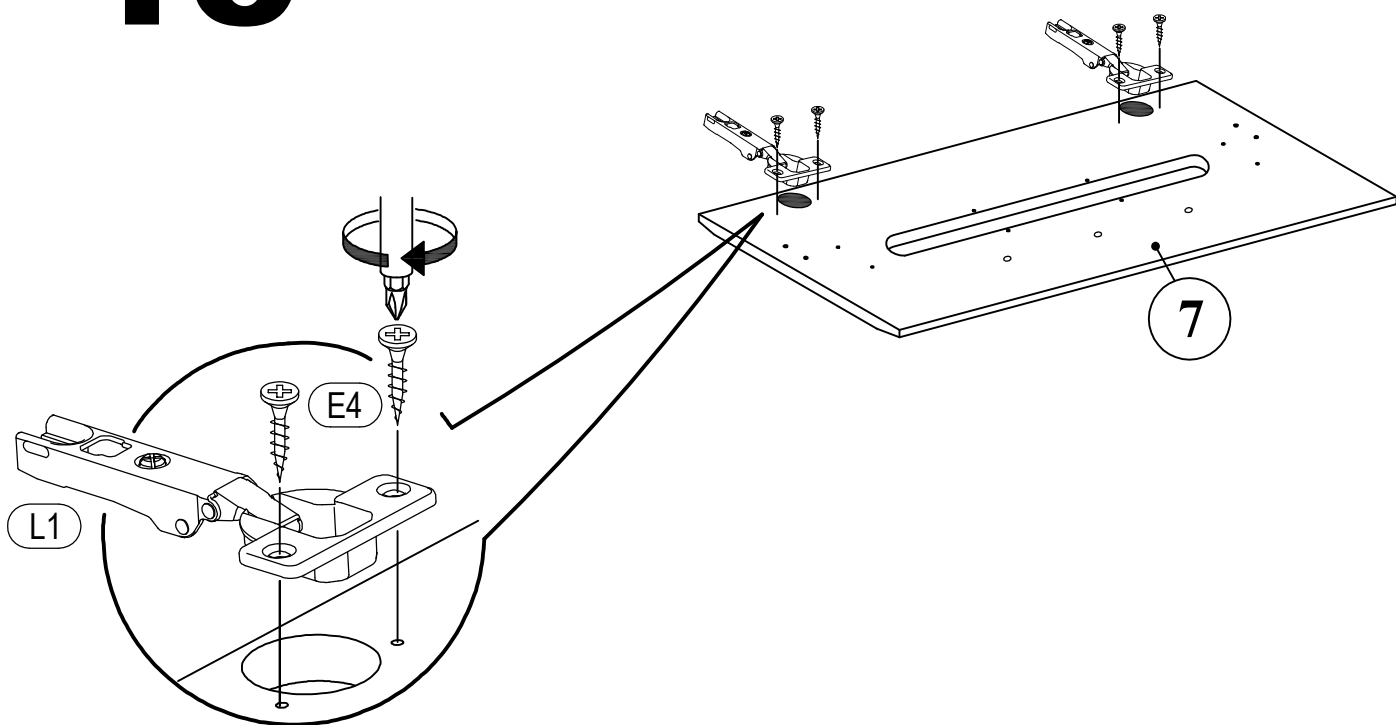
 E12 4*35mm x12	 K4 x6
--	---



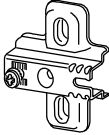

14



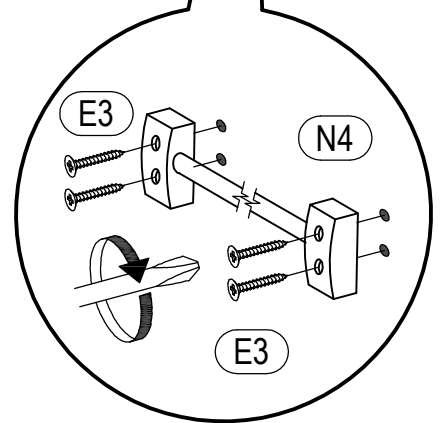
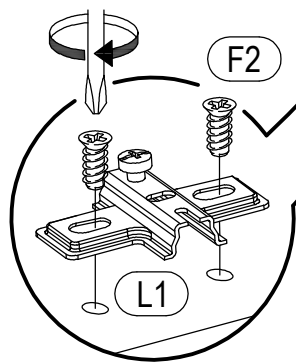
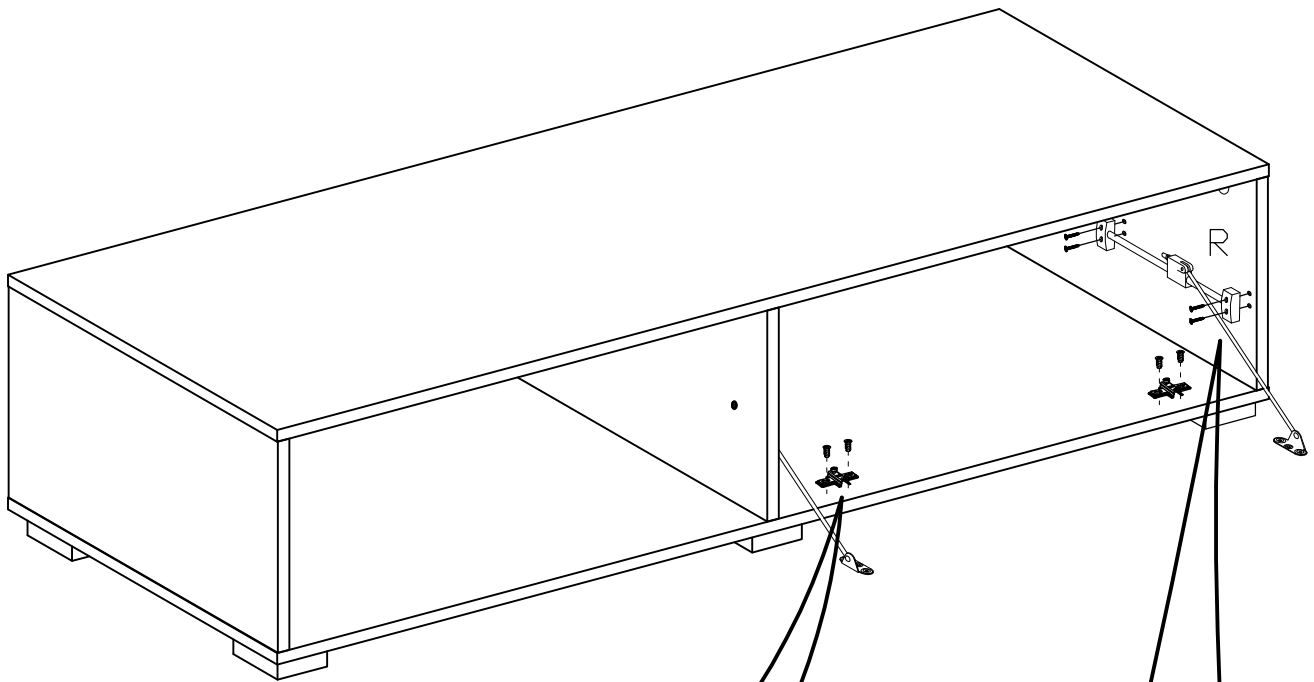
 <p>(E4) 3,5*16 x4</p>	 <p>(E6) 3,5*25mm x8</p>	 <p>(L1) x2</p>
---	---	--

15

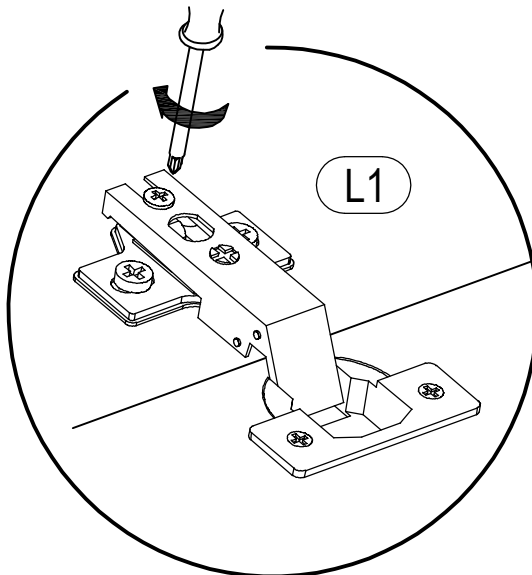
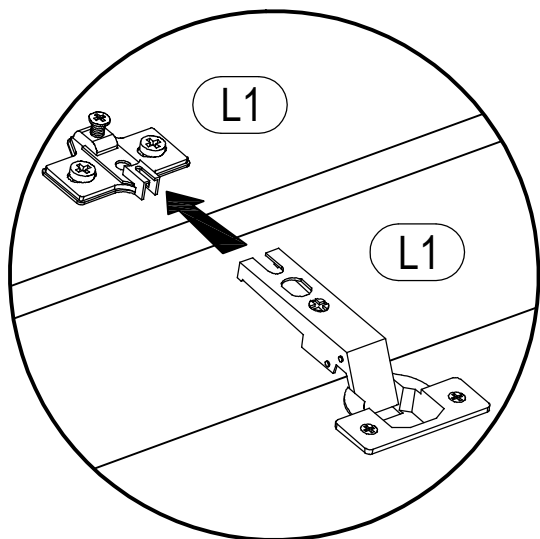
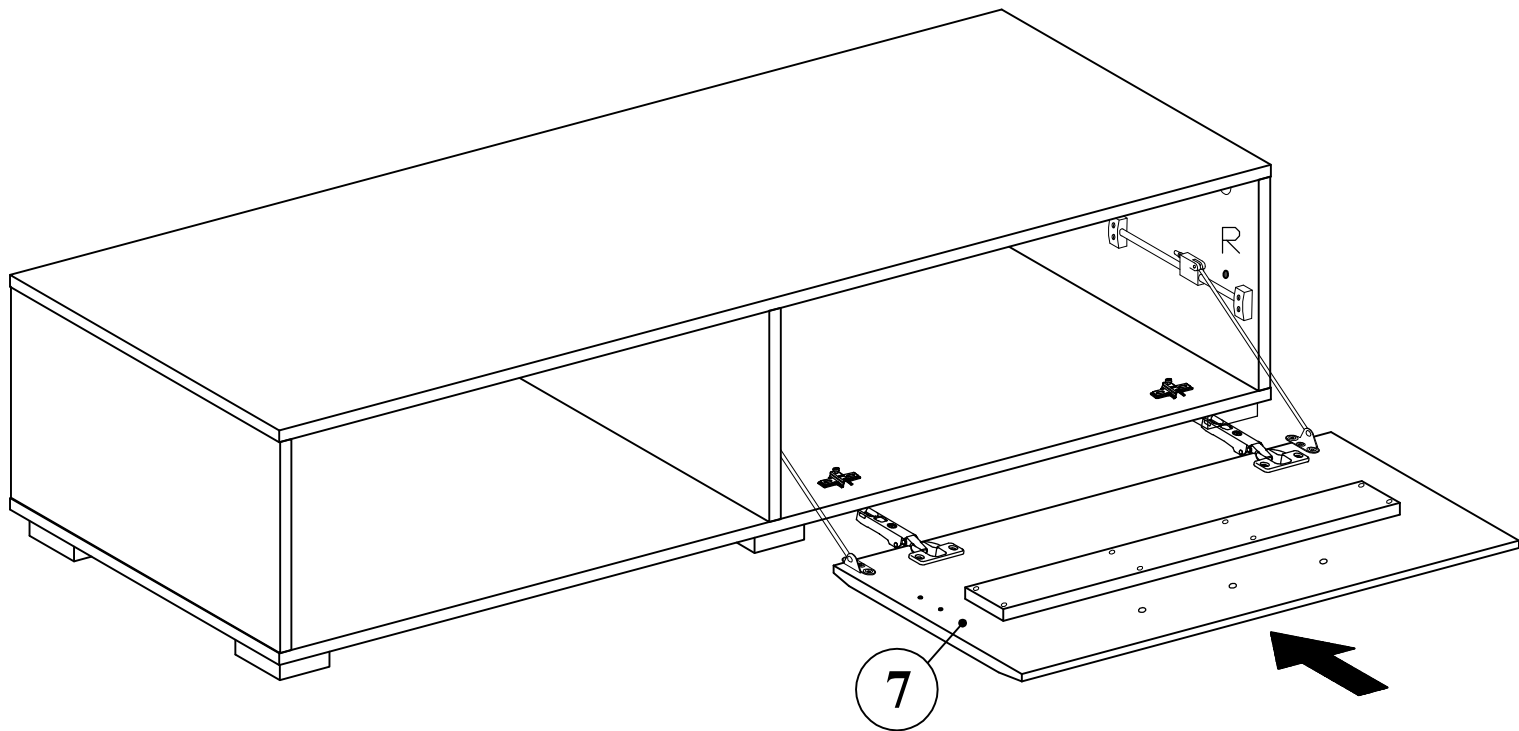




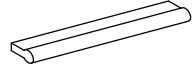
 E3 3*20mm x8	 F2 6,3*13mm x4	 L1 x2
		 N4 1R+1L x2

16

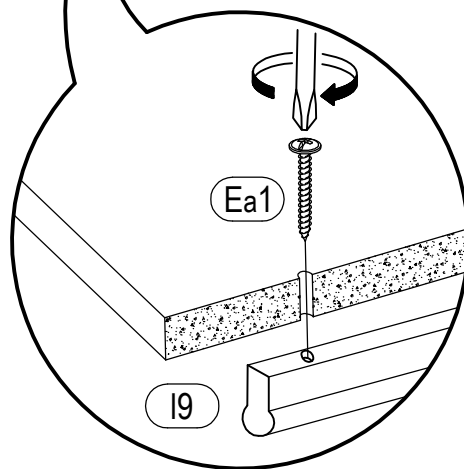
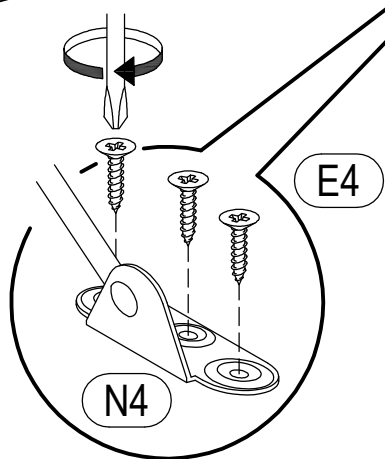
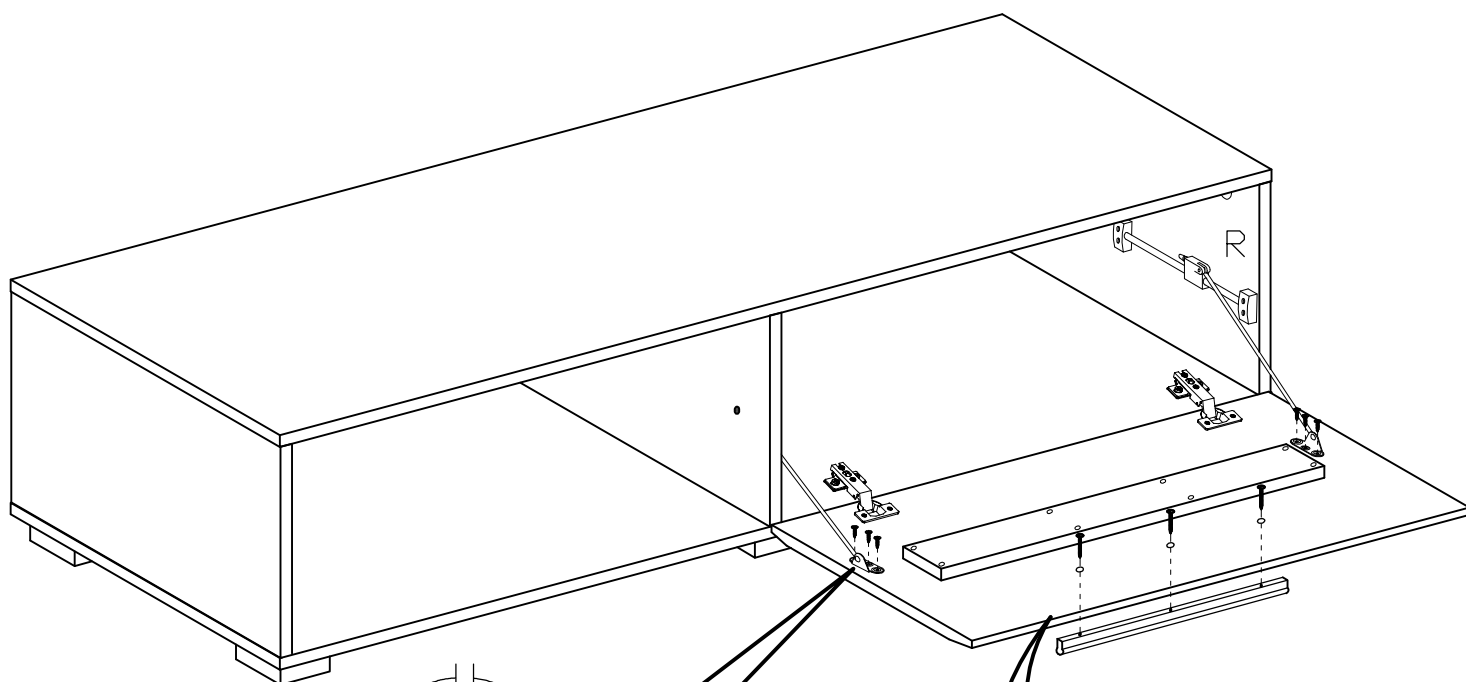



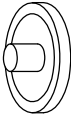


17



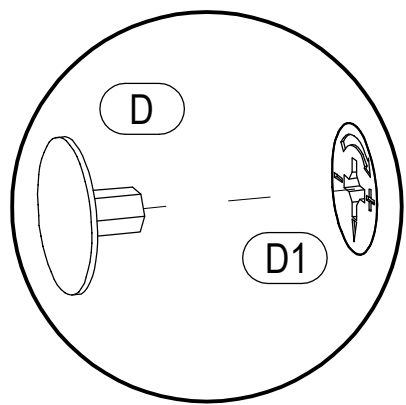
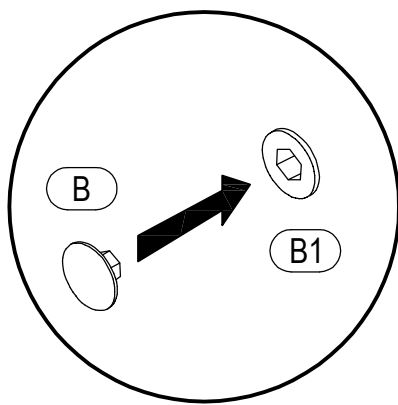
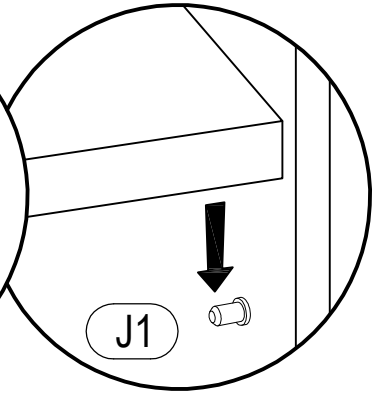
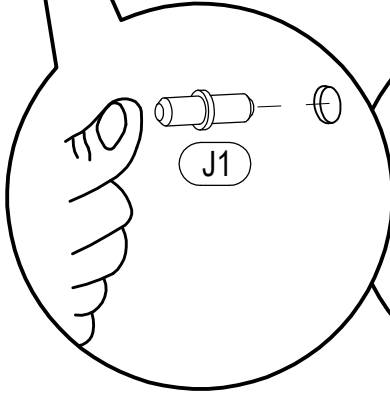
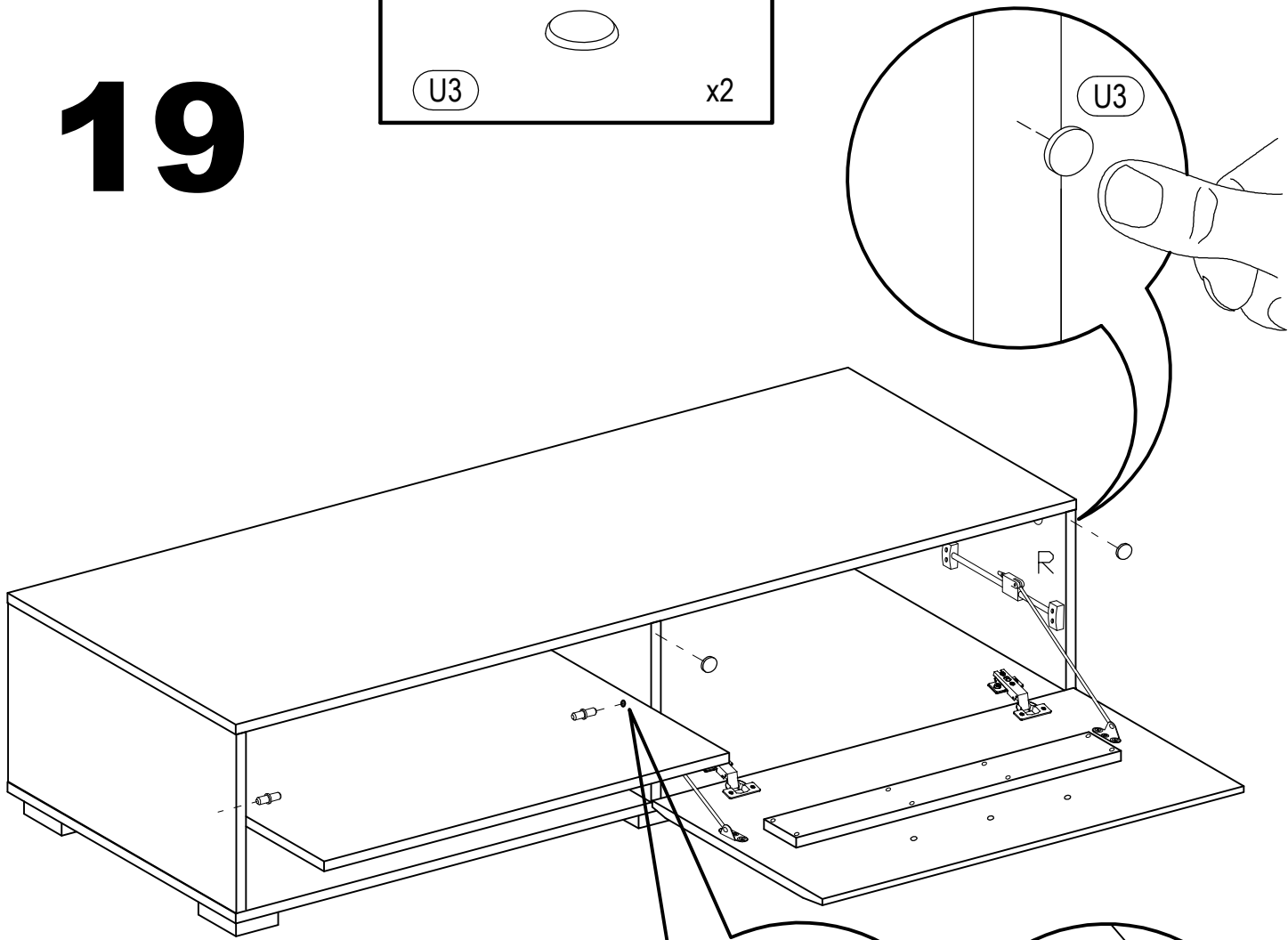
 <p>E4 3,5*16 x6</p>	 <p>Ea1 3,5*27mm x3</p>	 <p>I9 x1</p>
--	---	---

18



 B x6	 D x6	 J1 5*16mm x4
	 U3 x2	

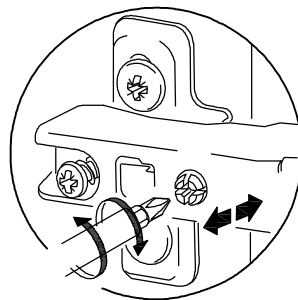
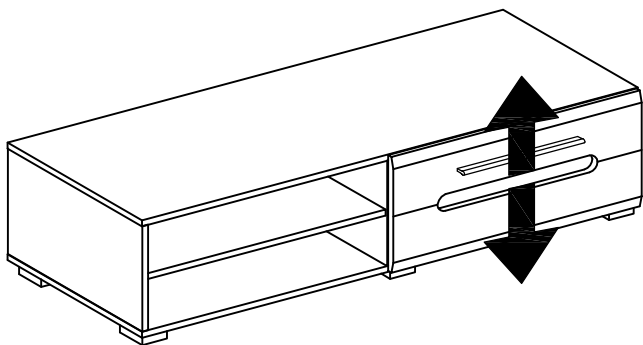
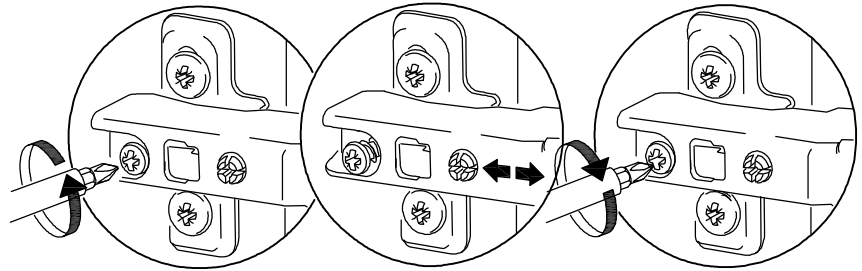
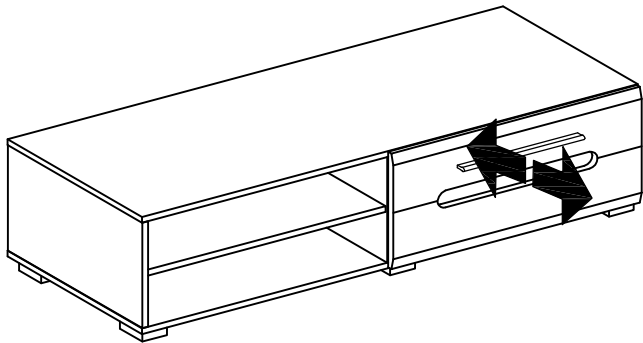
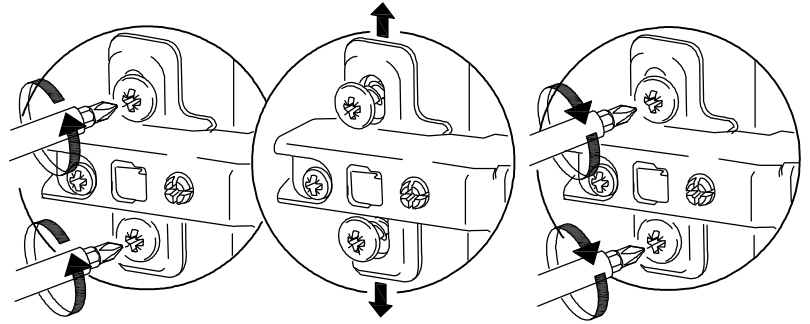
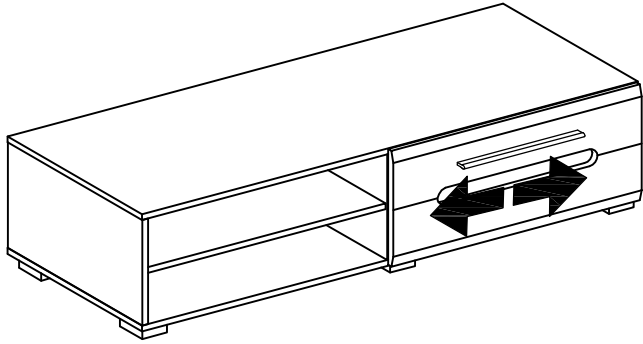
19



20

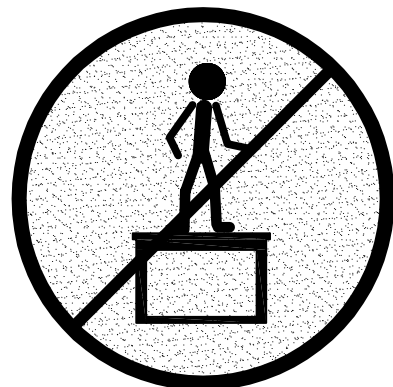
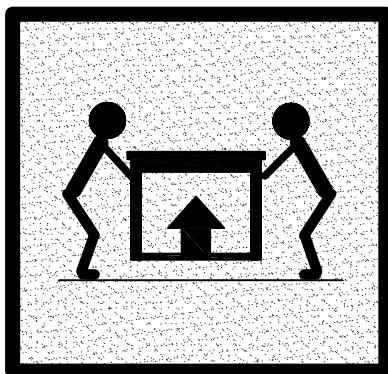
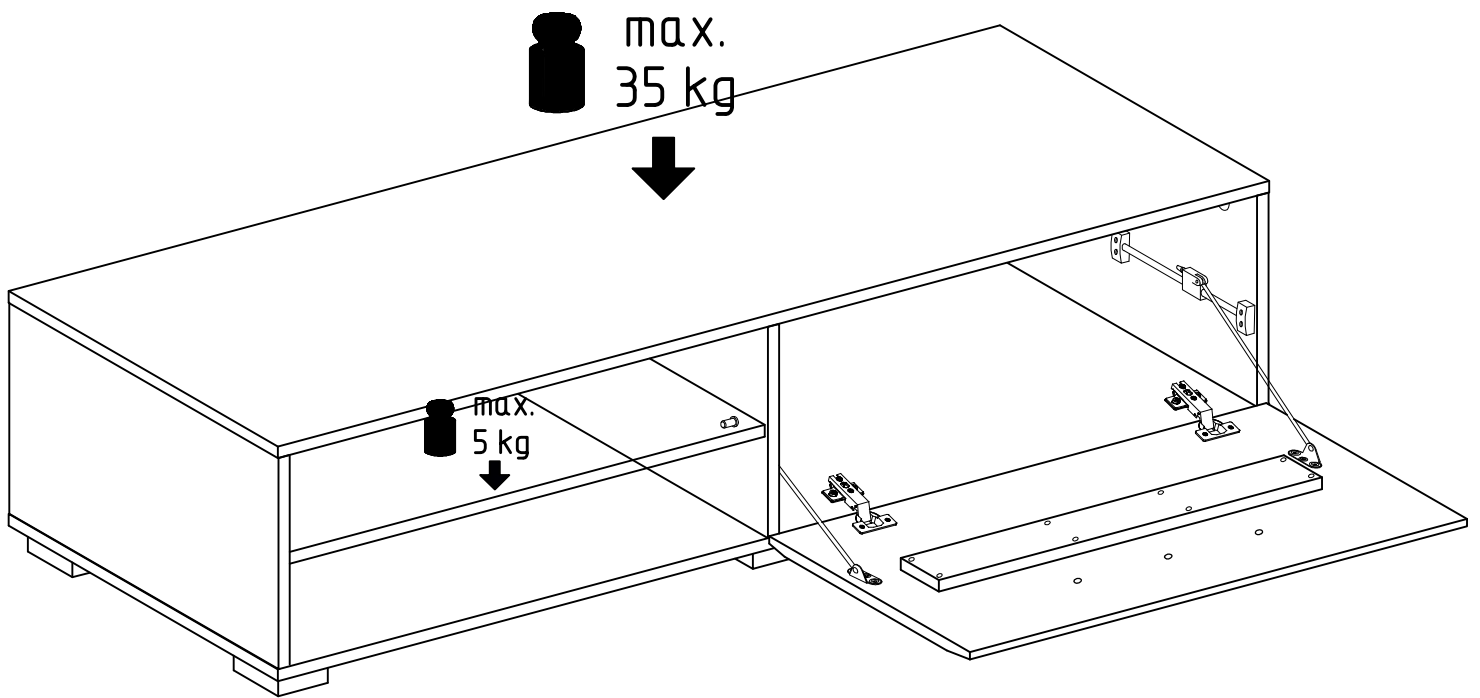
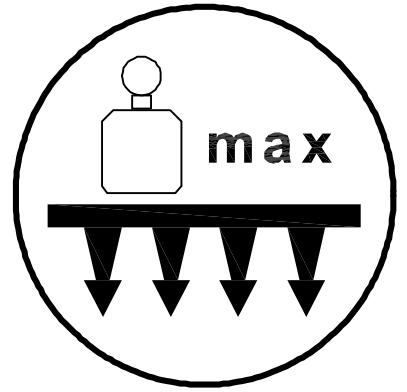
B

BYANKO



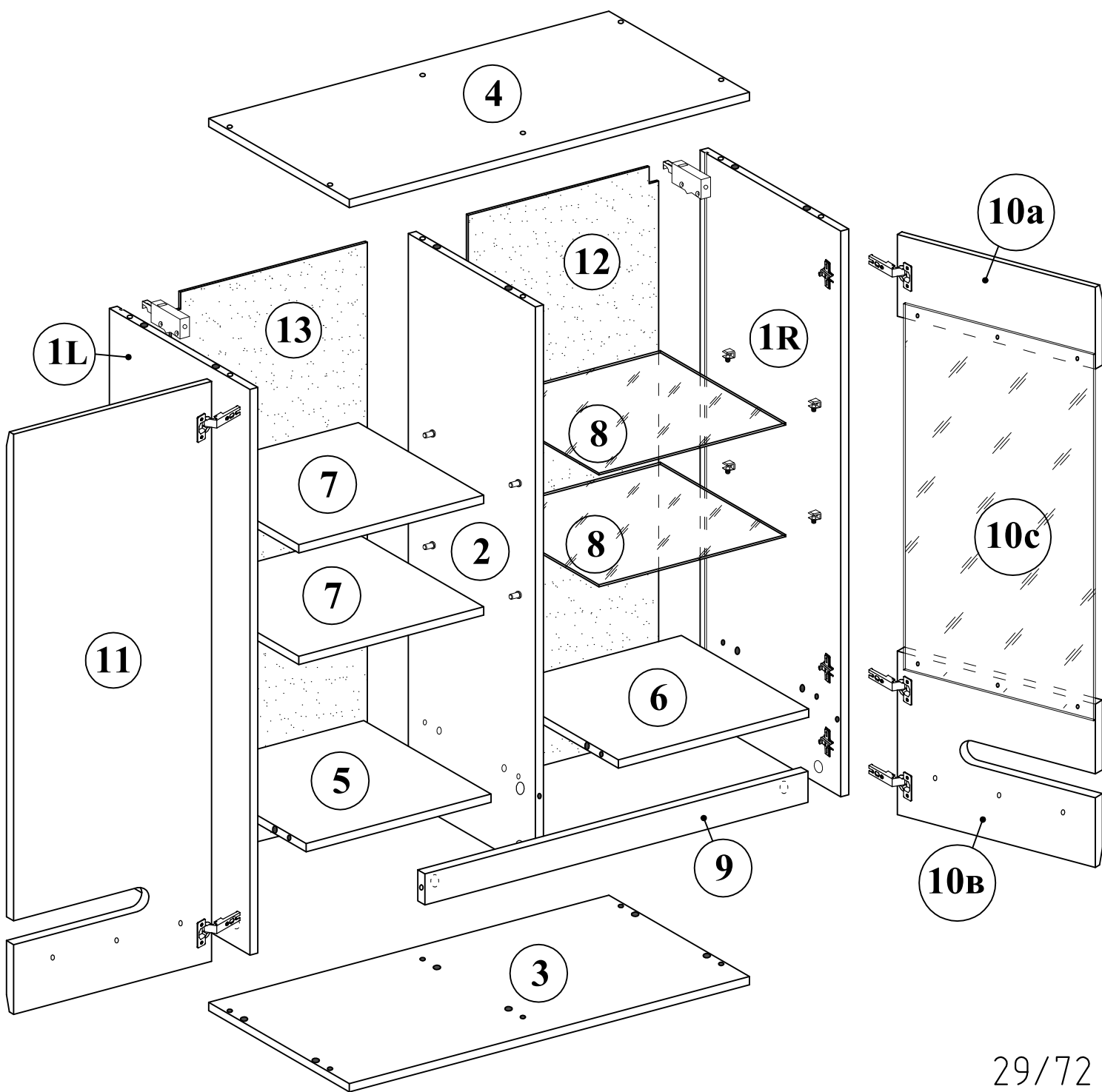
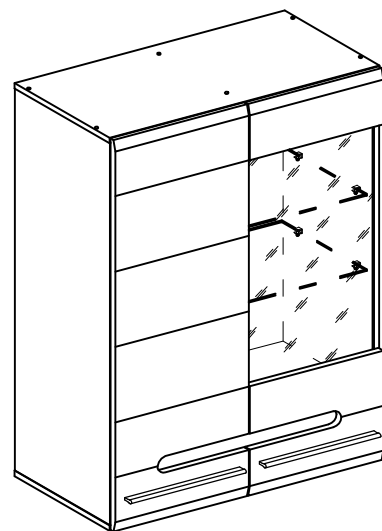
B

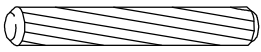
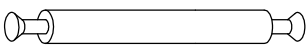

BYANKO



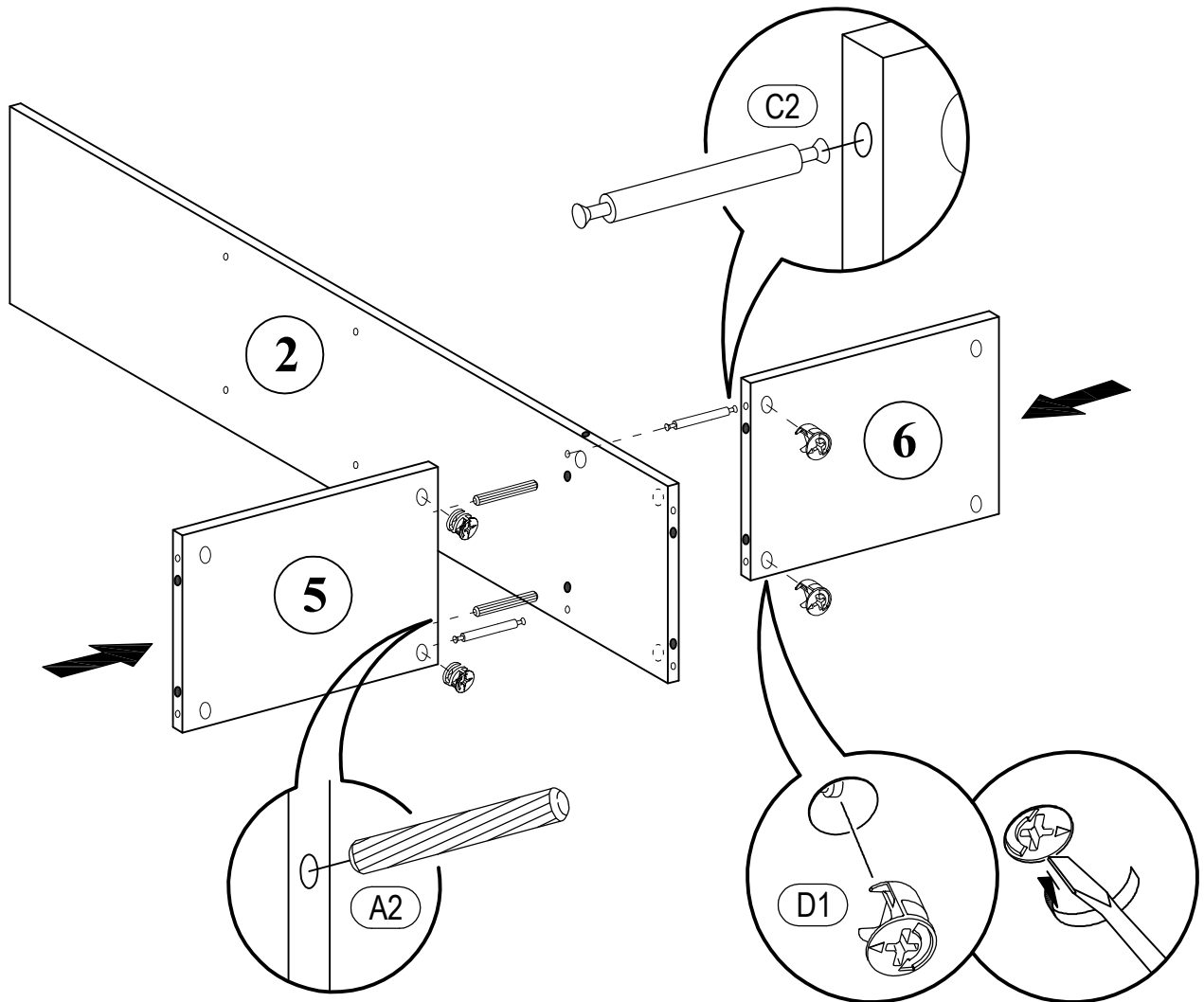
C

BYANKO



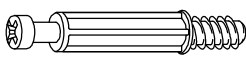

 A1 8*50mm x2	 C2 8*56mm x2	 D1 16mm x4
---	--	---

21

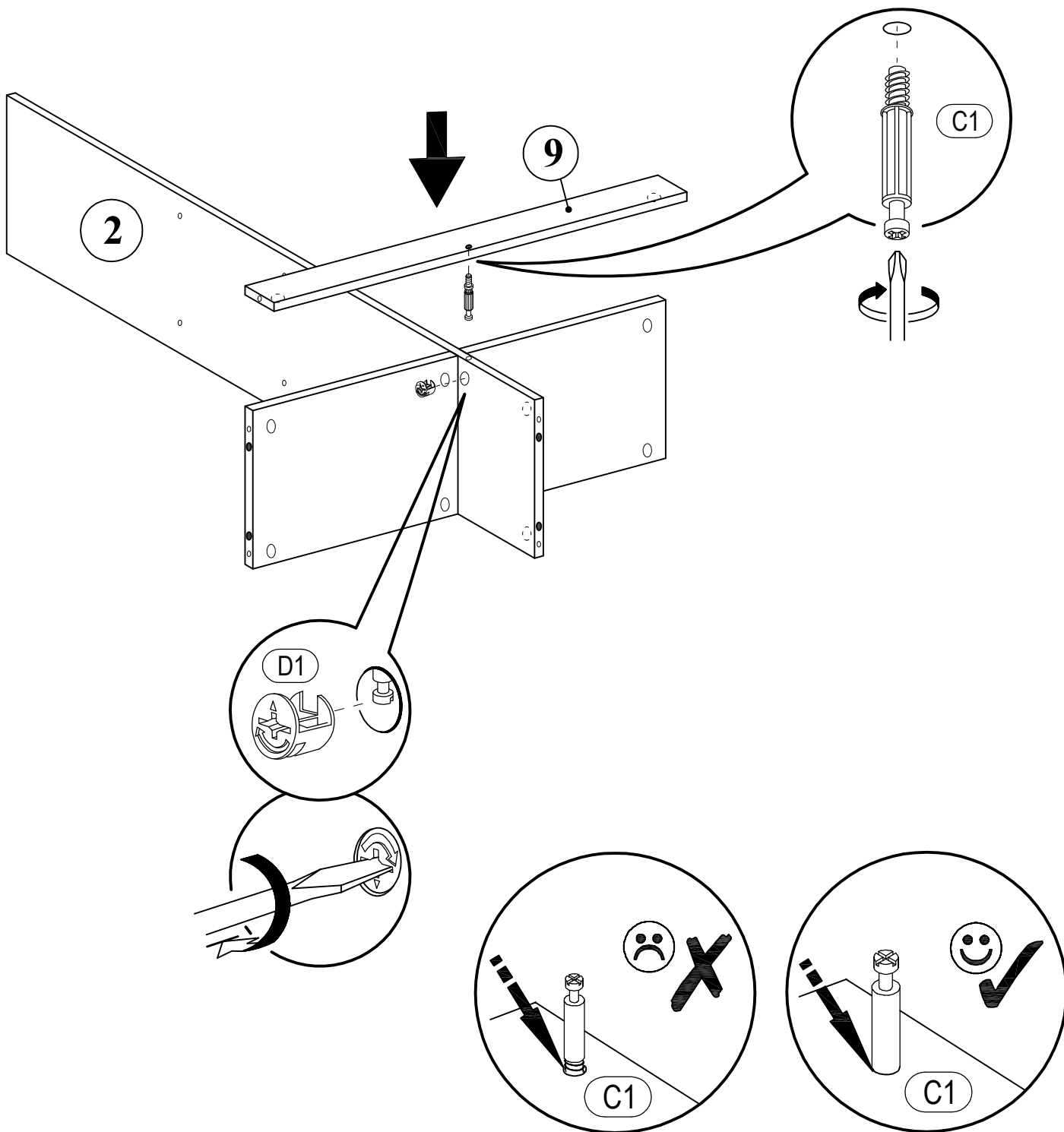



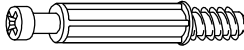

C

BYANKO

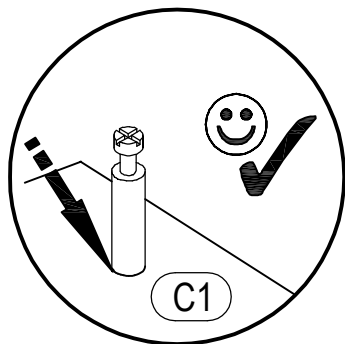
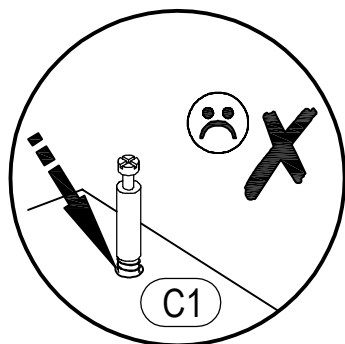
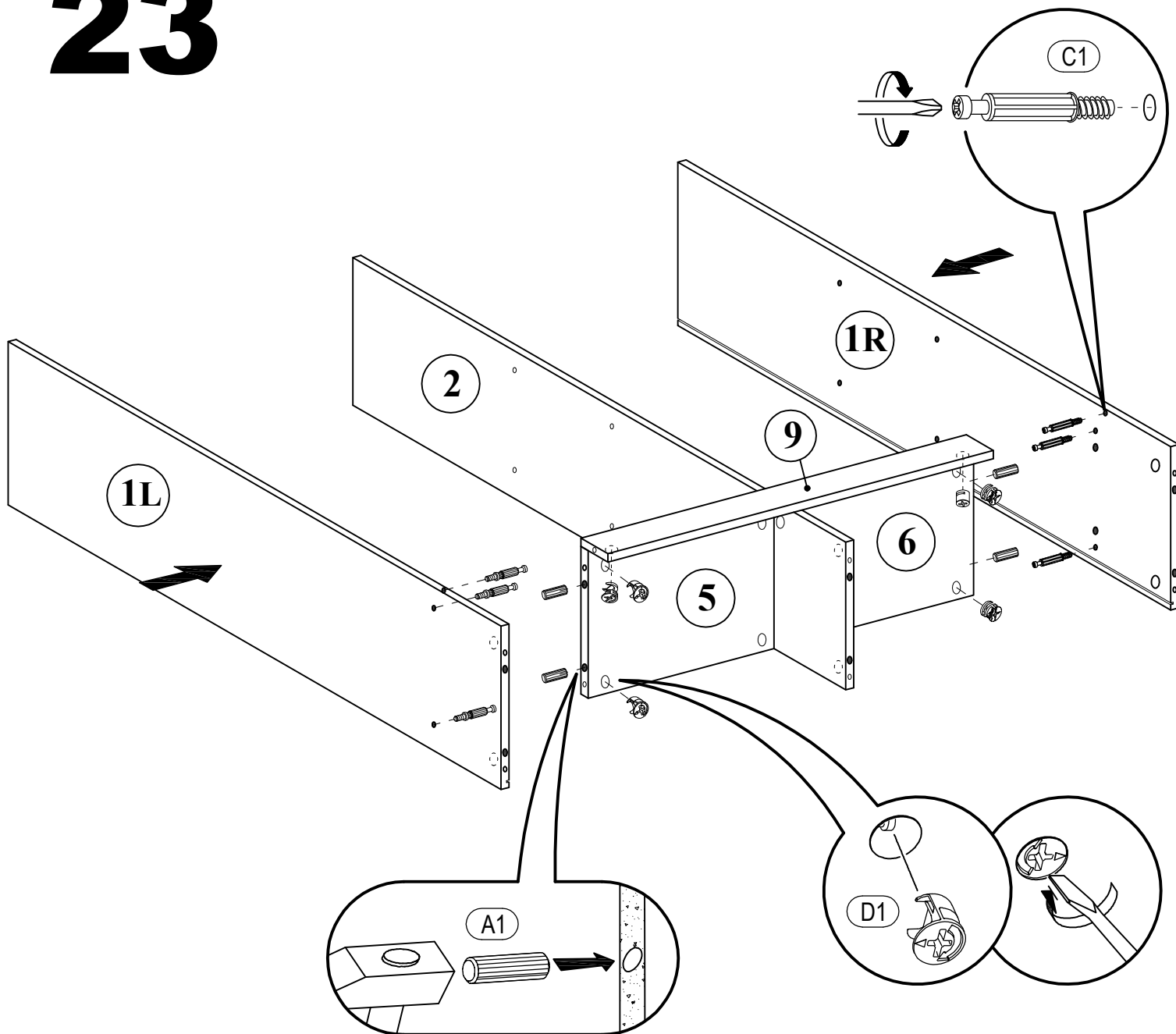
	
C1 5*30mm x1	D1 16mm x1

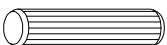
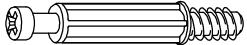

22



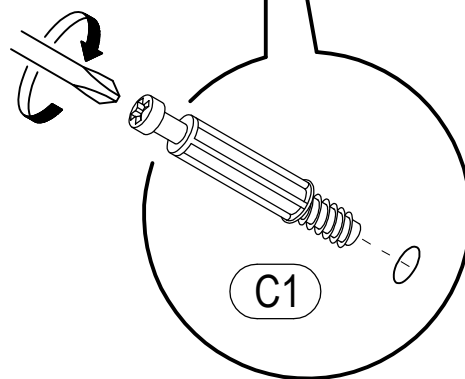
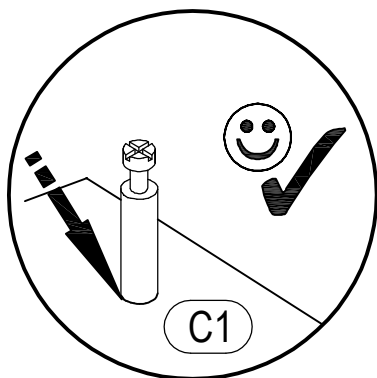
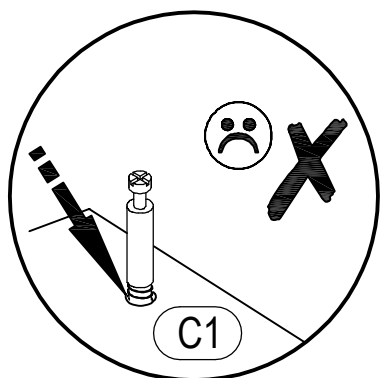
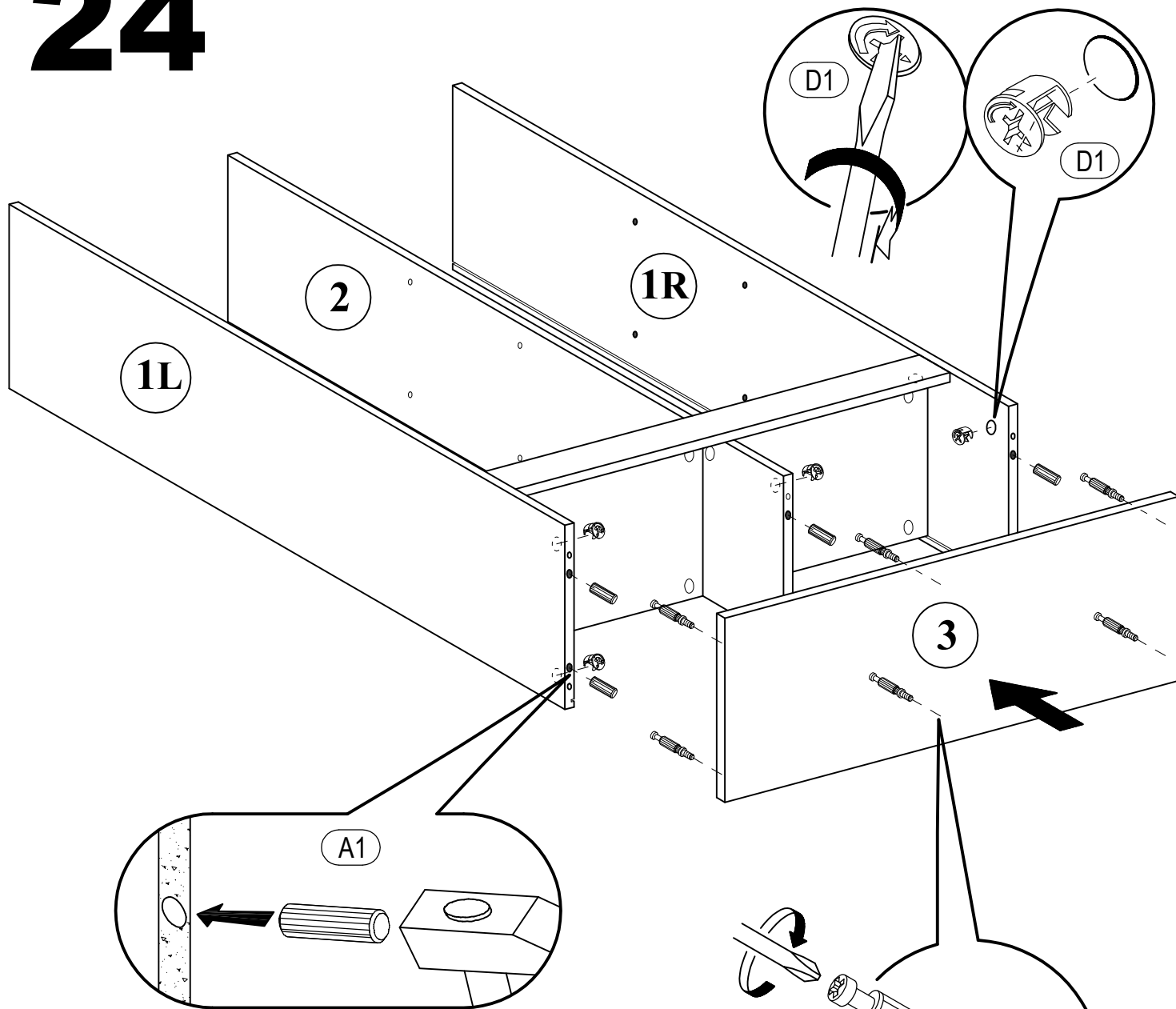
 <p>A1 8*30mm x4</p>	 <p>C1 5*30mm x6</p>	 <p>D1 16mm x6</p>
---	--	---

23




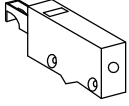
 A1 8*30mm x6	 C1 5*30mm x6	 D1 16mm x6
---	--	---

24

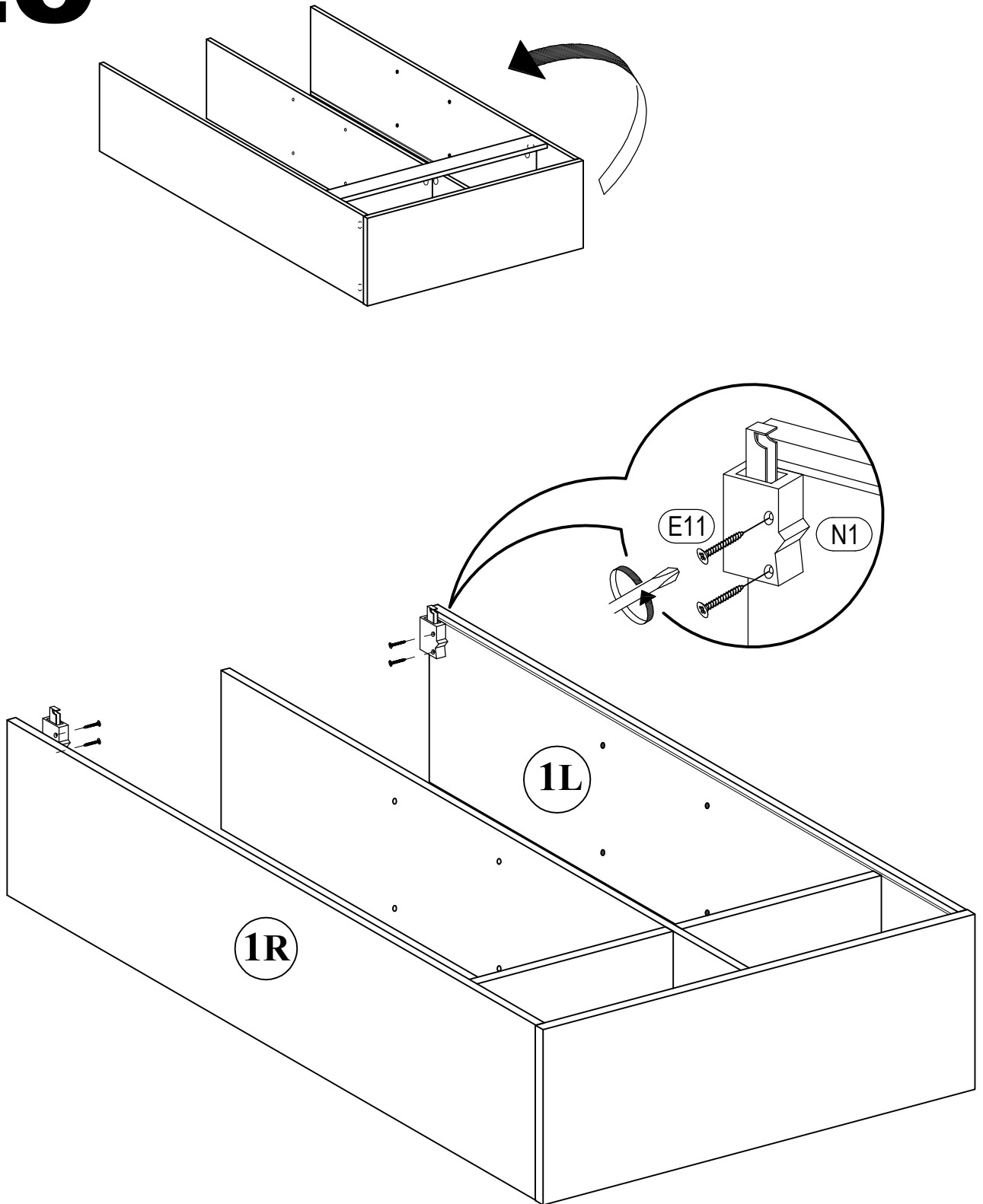


C

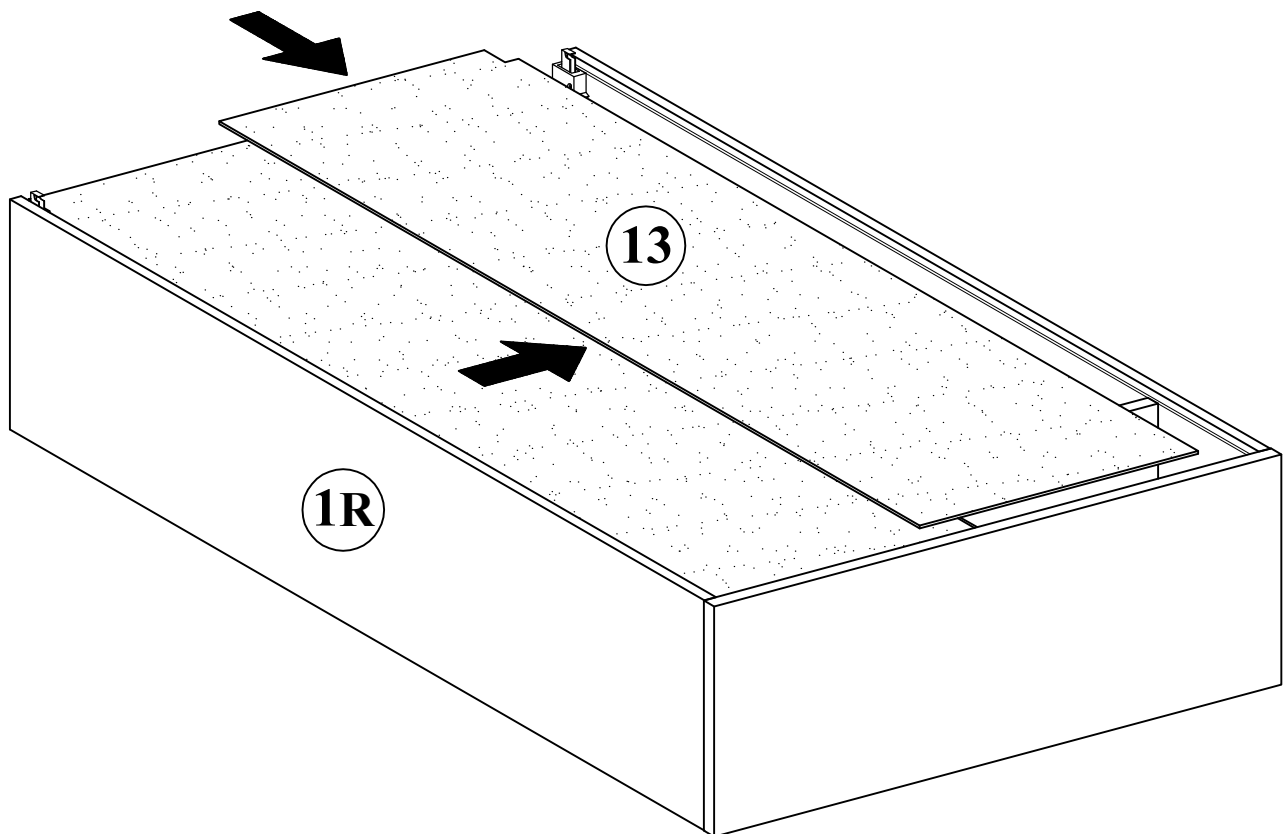
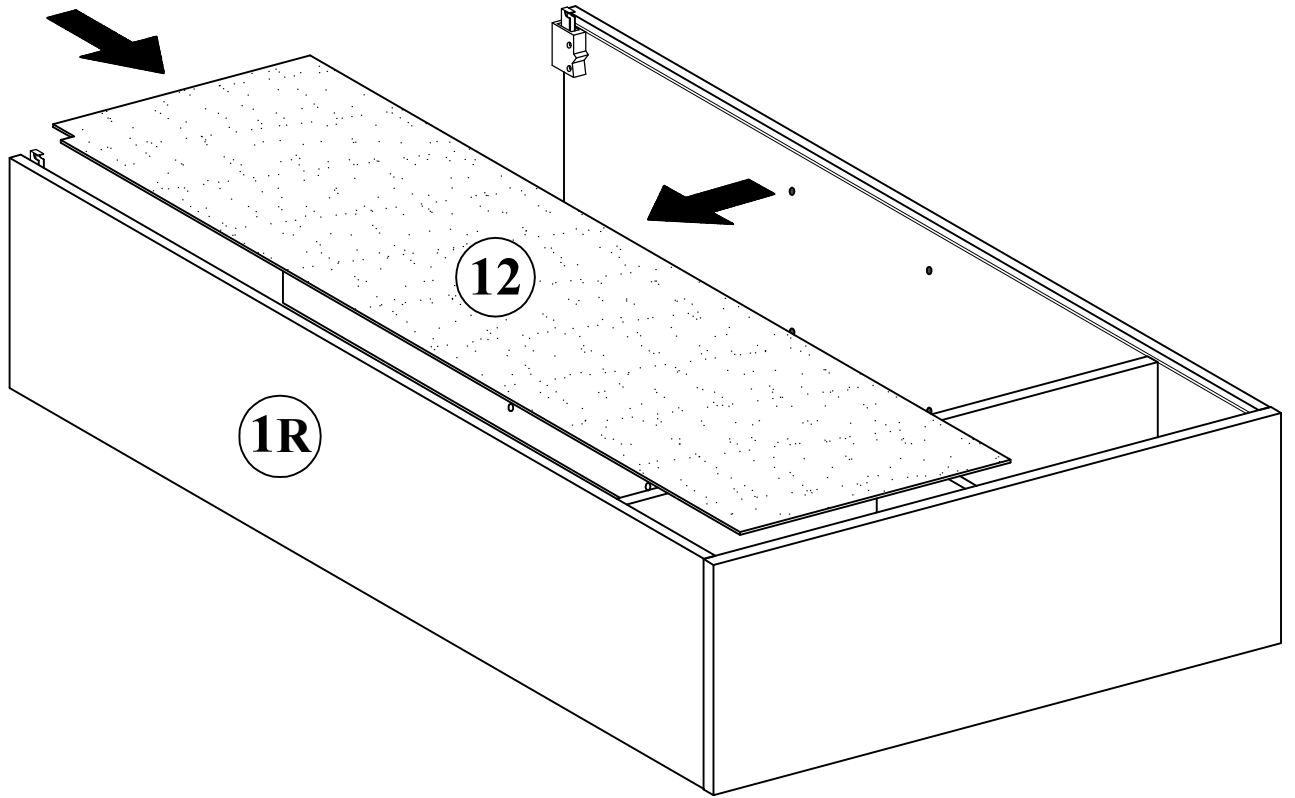
BYANKO

 <p>(E11) 4*30mm x4</p>	 <p>(N1) x2</p>
--	--

25



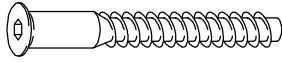
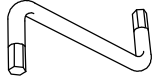
26

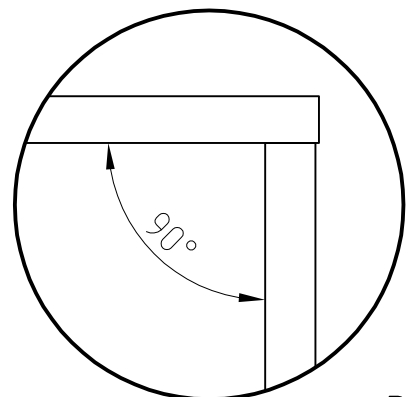
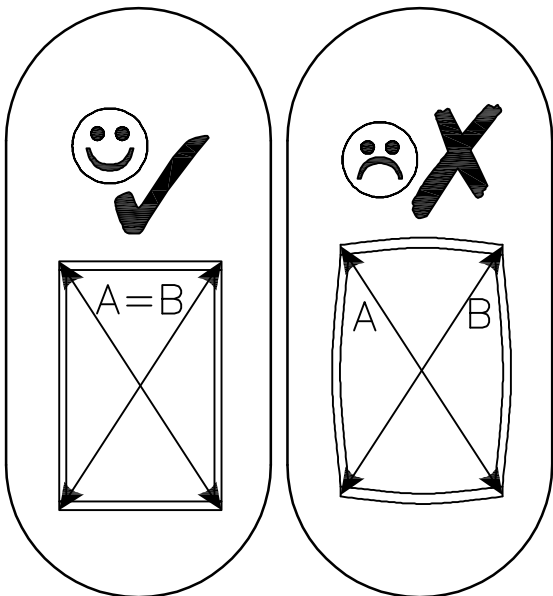
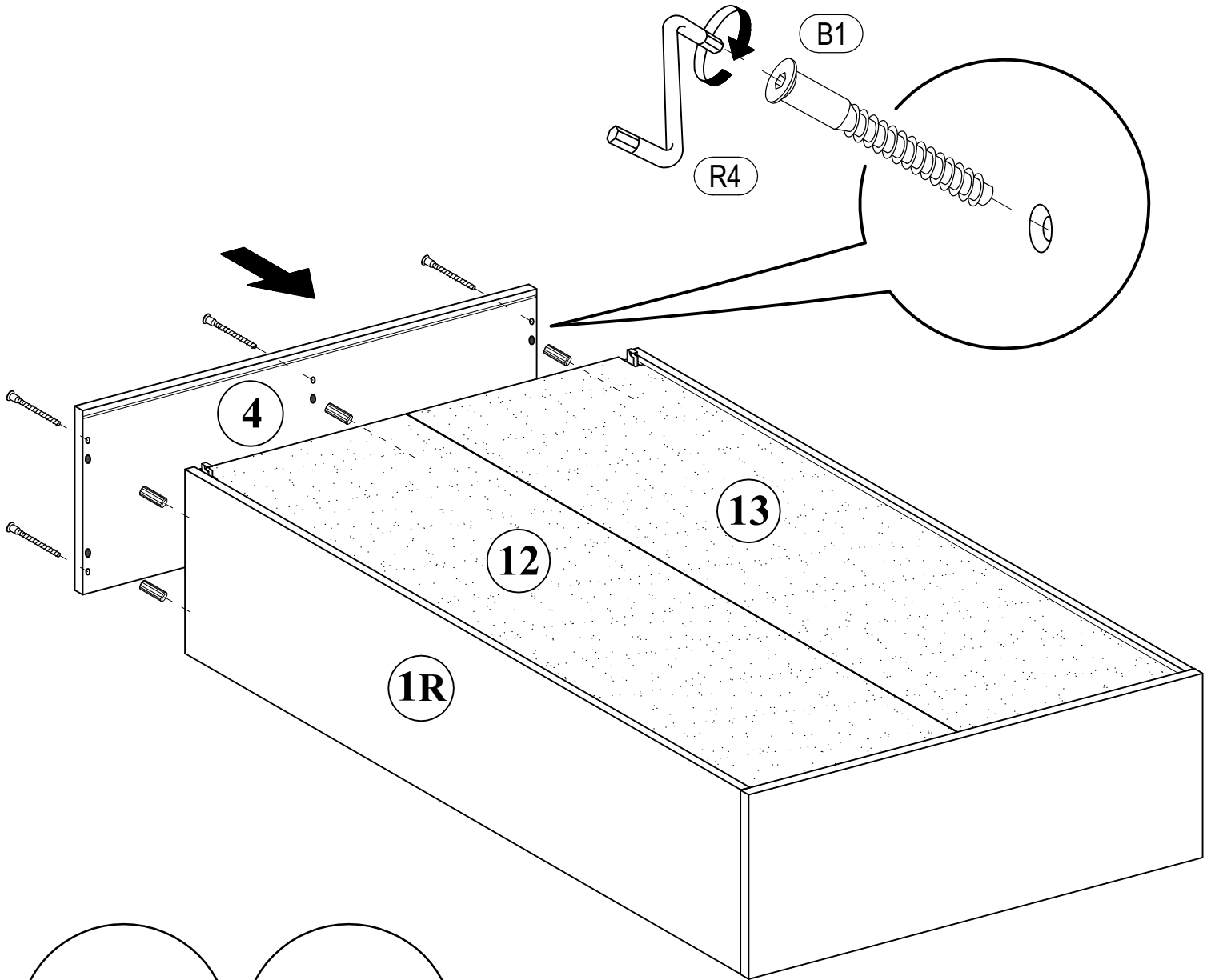





C

BYANKO

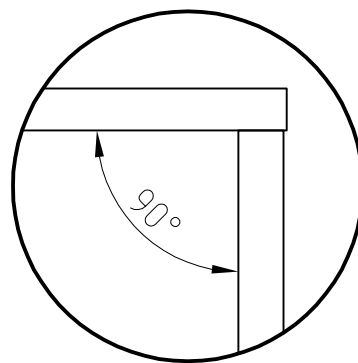
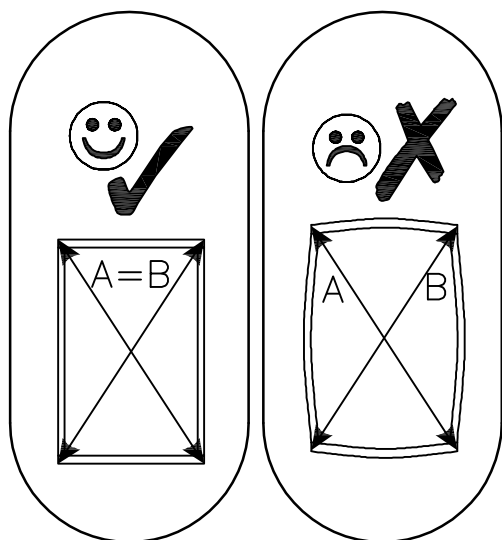
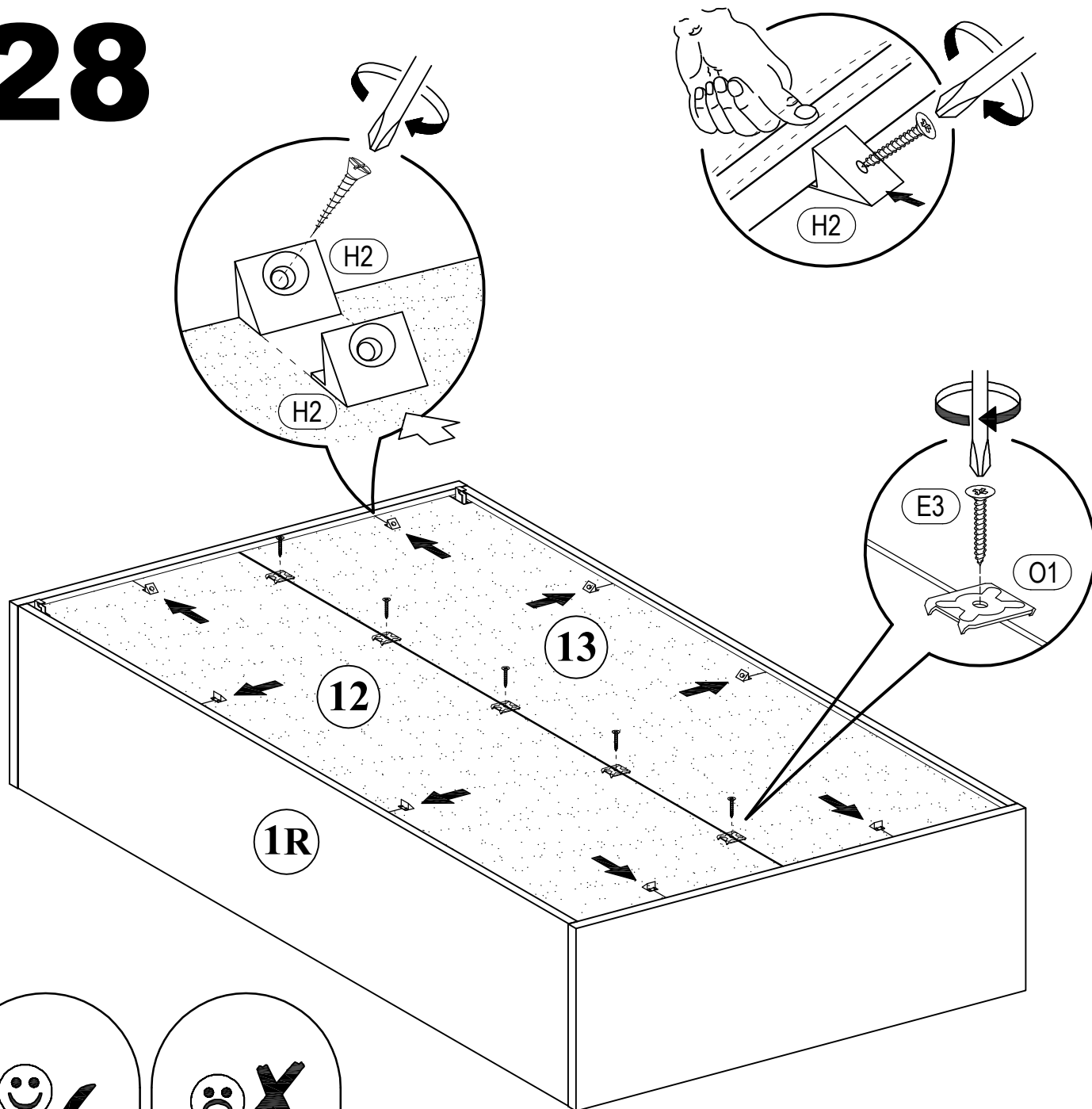
27


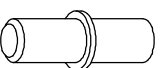

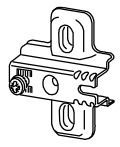
	
(B1) 6,3*50mm x6	(R4) N°4 x1



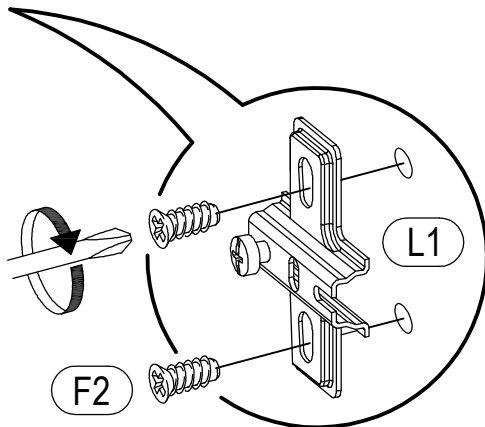
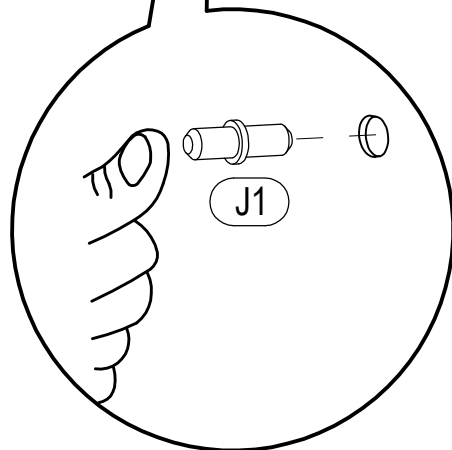
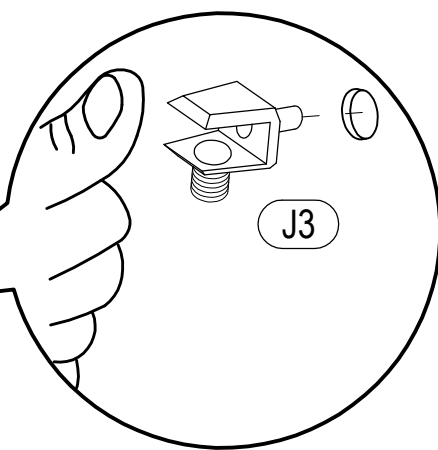
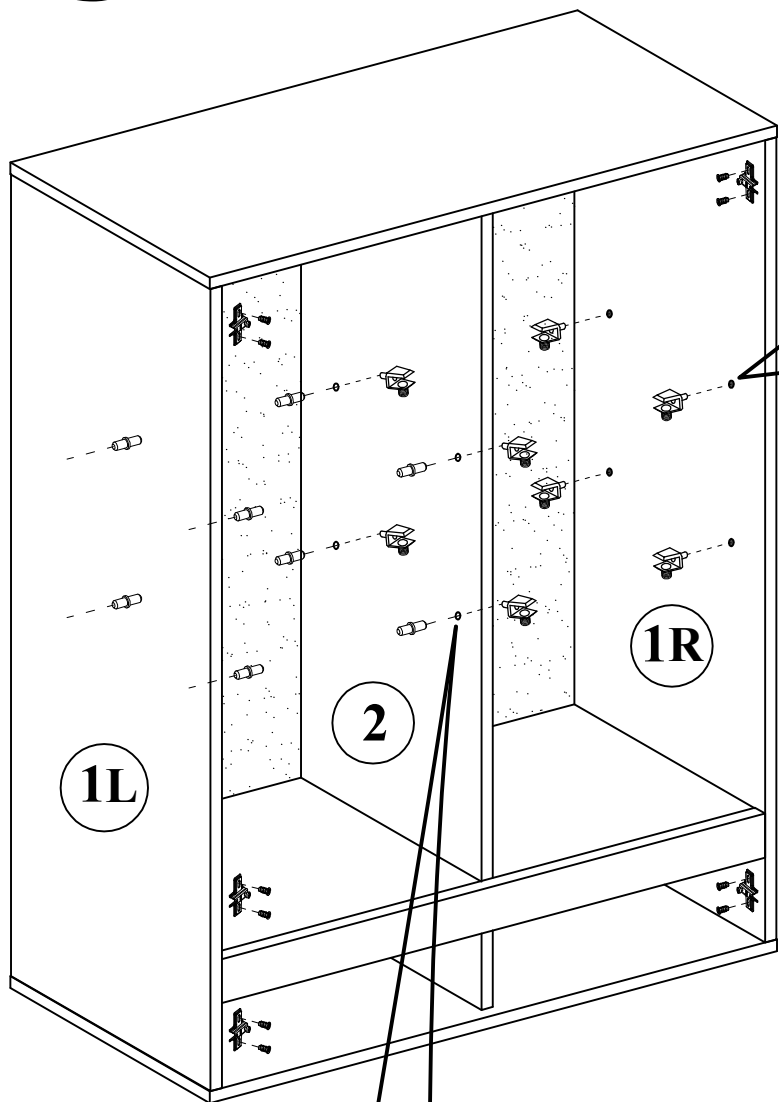
 (E3) 3*20mm x5	 (H2) x8	 (O1) x5
---	--	--

28

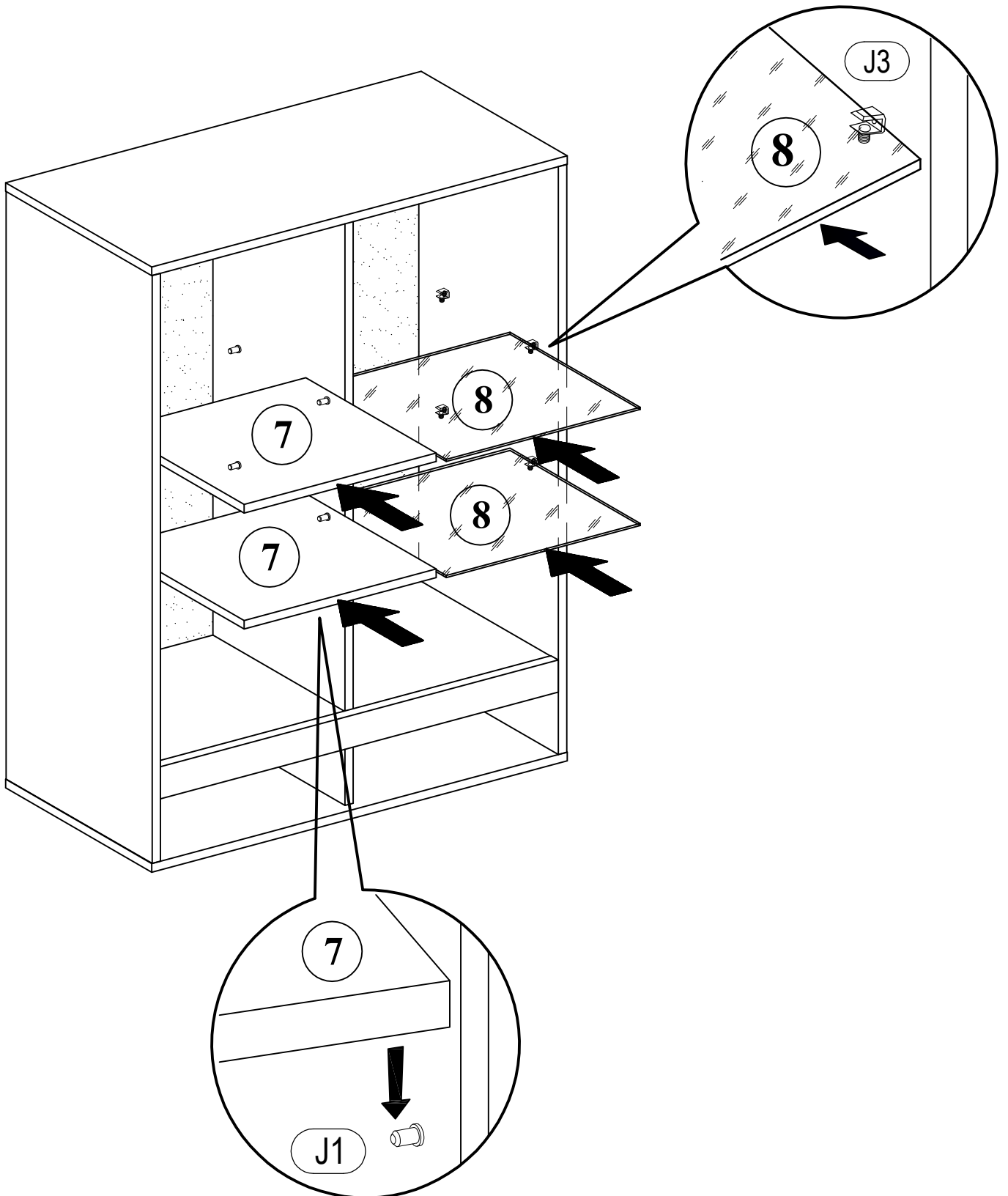



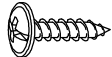
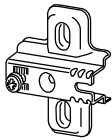

 F2 6,3*13mm x10	 J1 5*16mm x8	 J3 x8
		 L1 x5

29

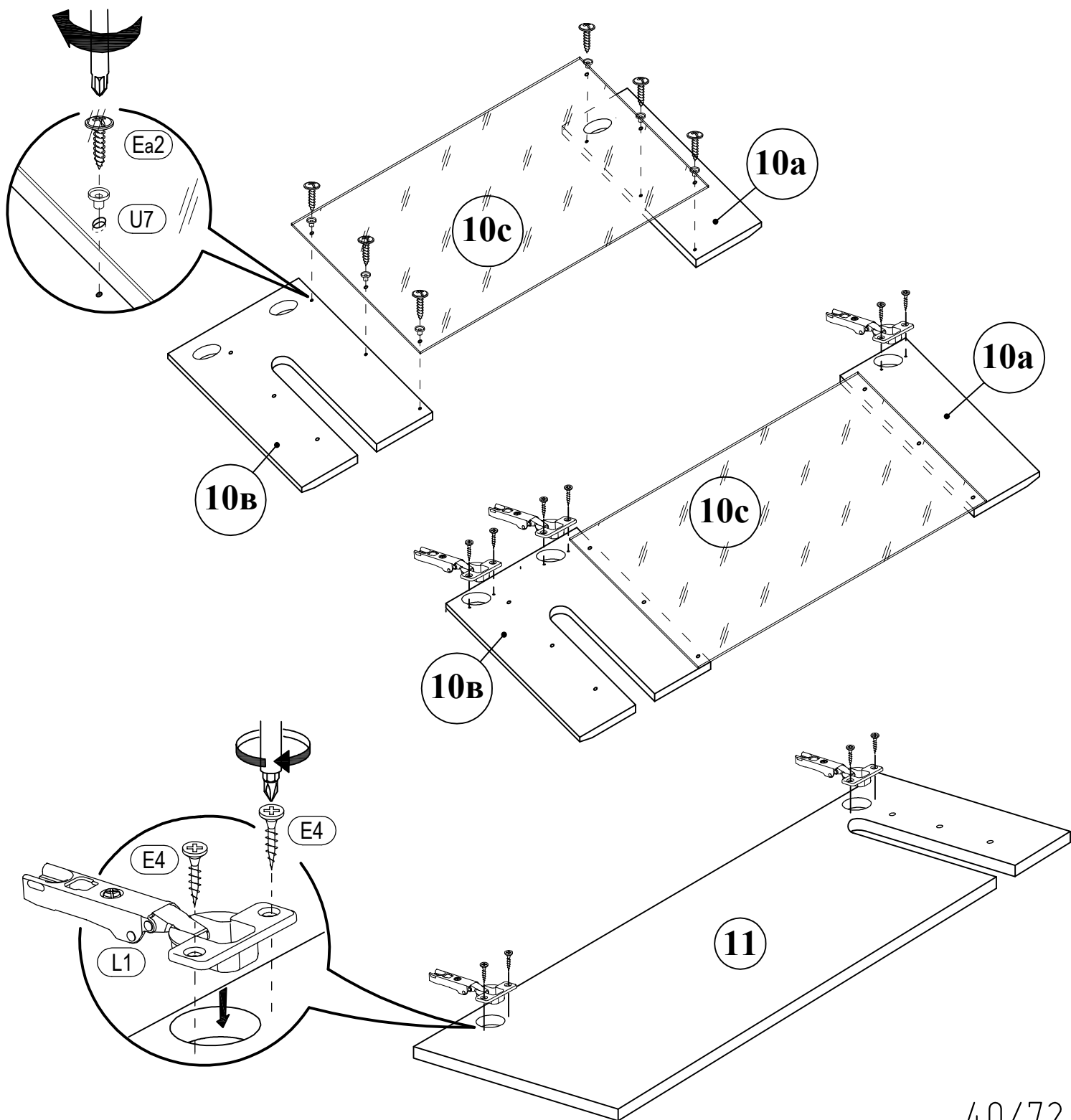


30

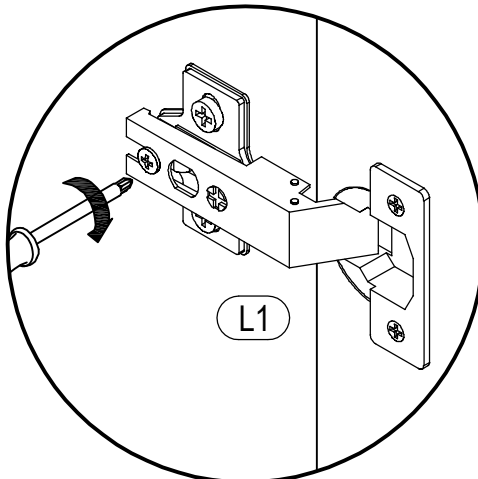
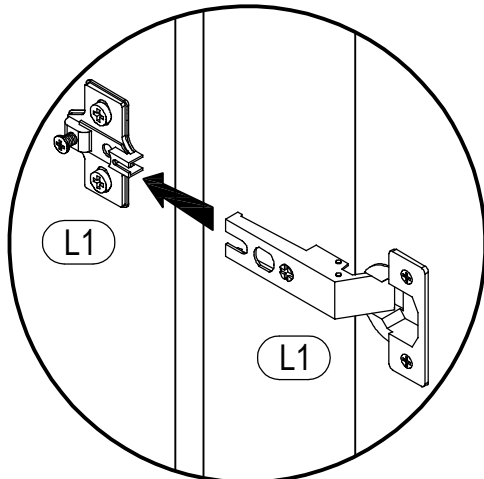
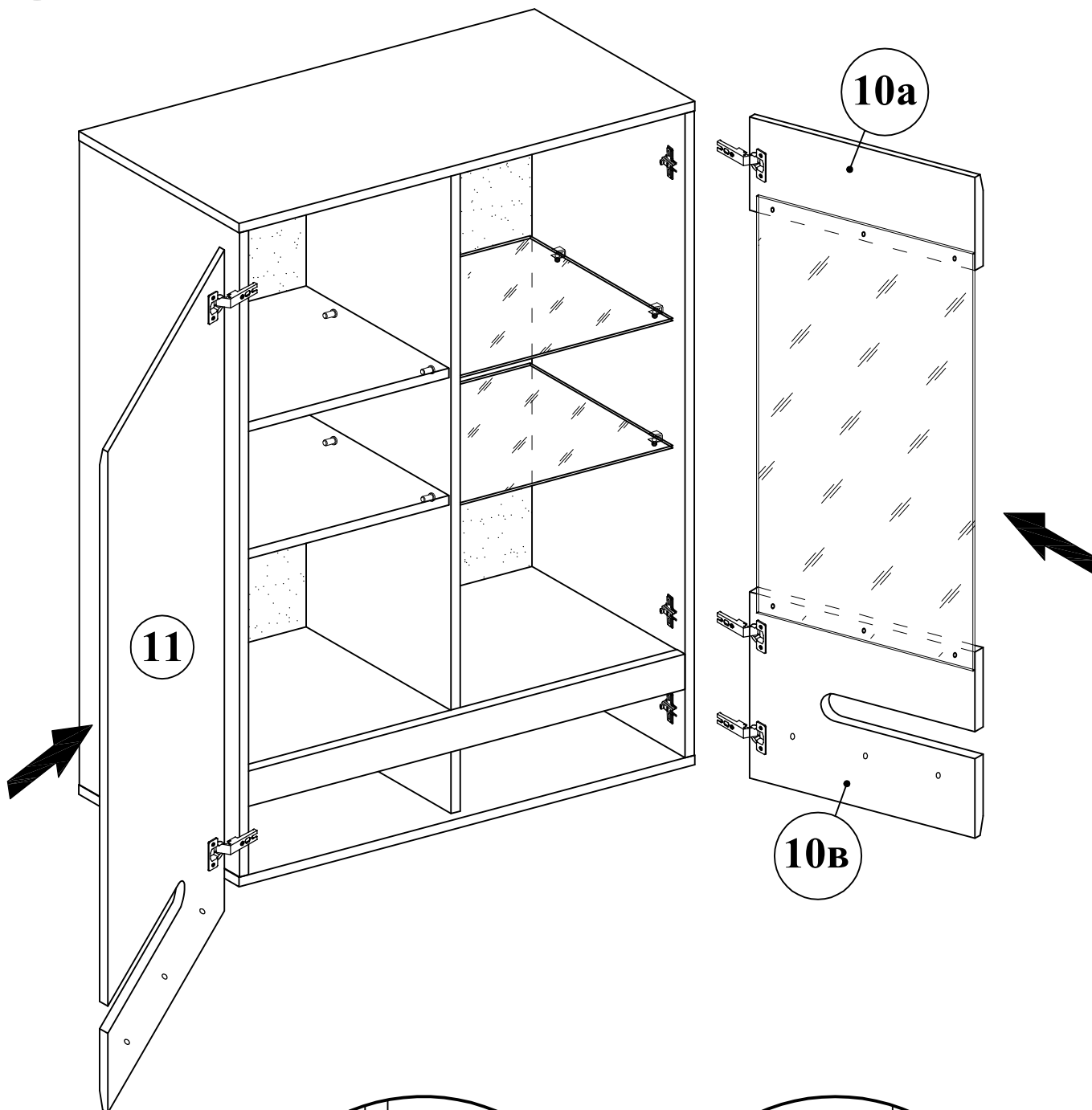


 <p>E4 3,5*16 x10</p>	 <p>Ea2 4,2*16mm x6</p>	 <p>L1 x5</p>
		 <p>U7 M6 x6</p>

31




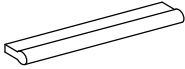
32

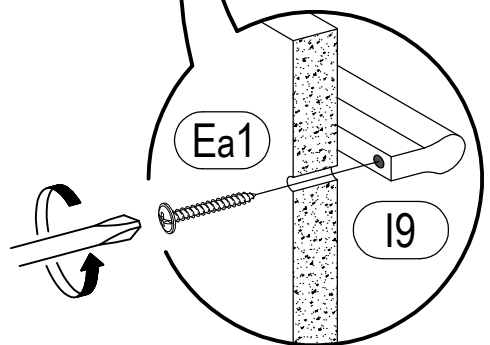
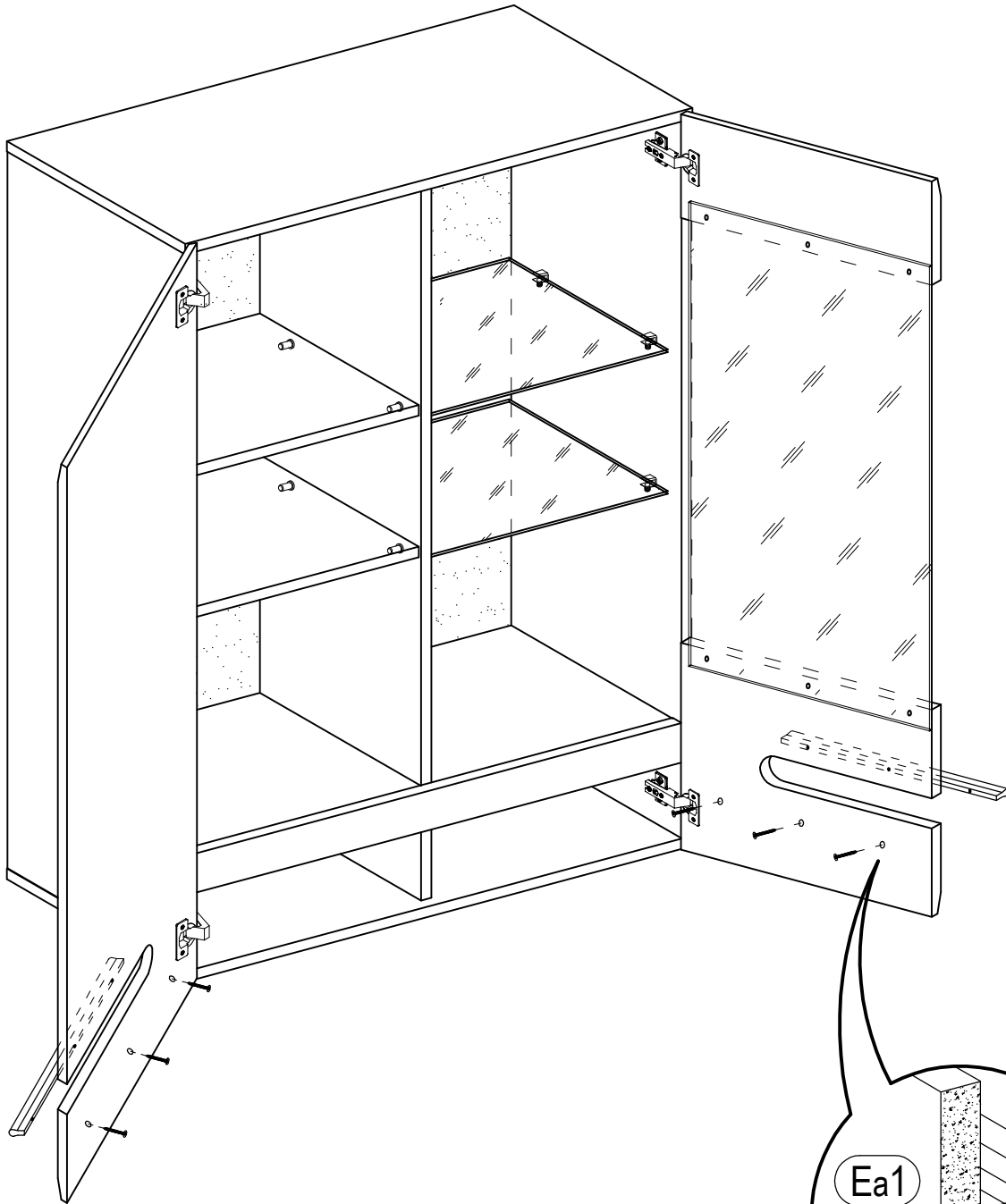


C

BYANKO


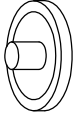

33

	
(Ea1) 3,5*27mm x6	(I9) x2

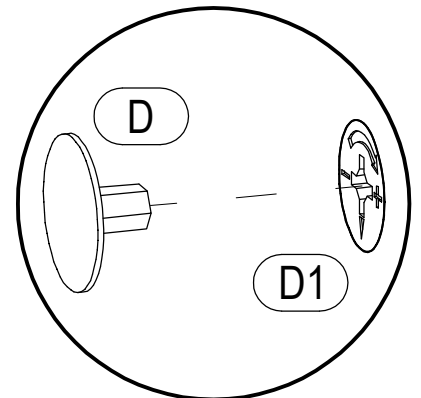
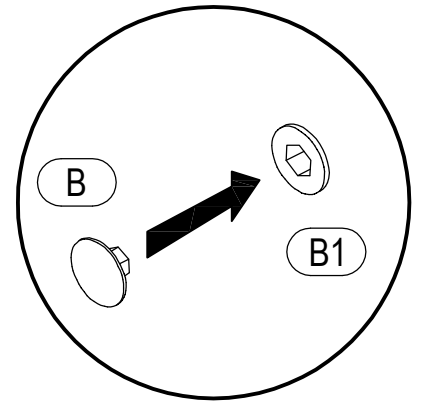
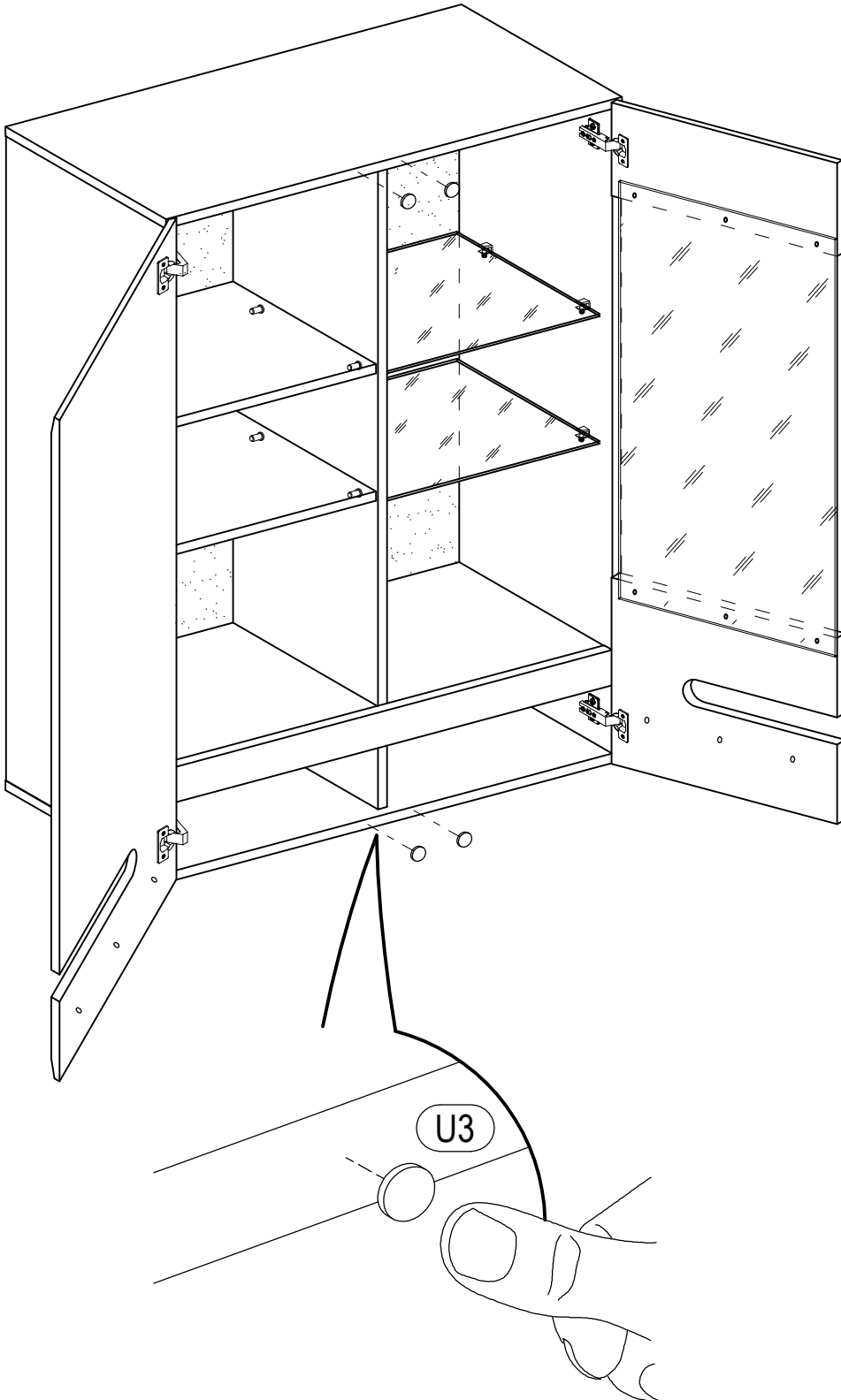


C

BYANKO

 B x6	 D x17	 U3 x4
---	--	--

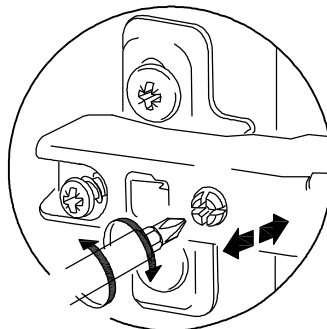
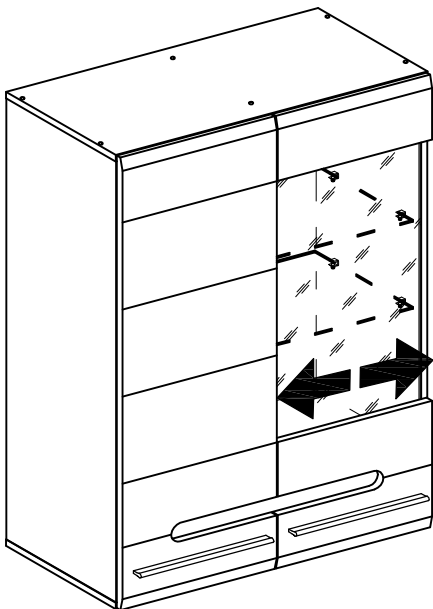
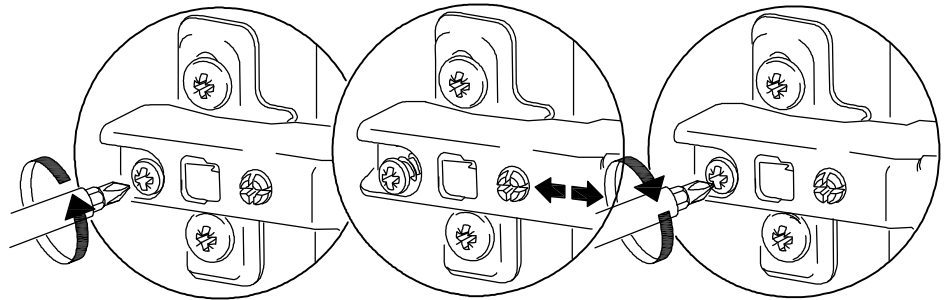
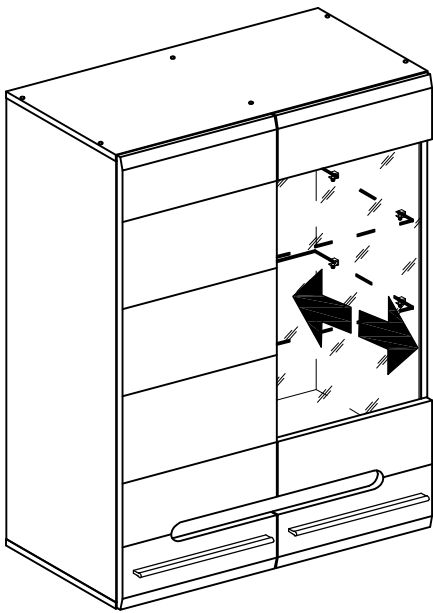
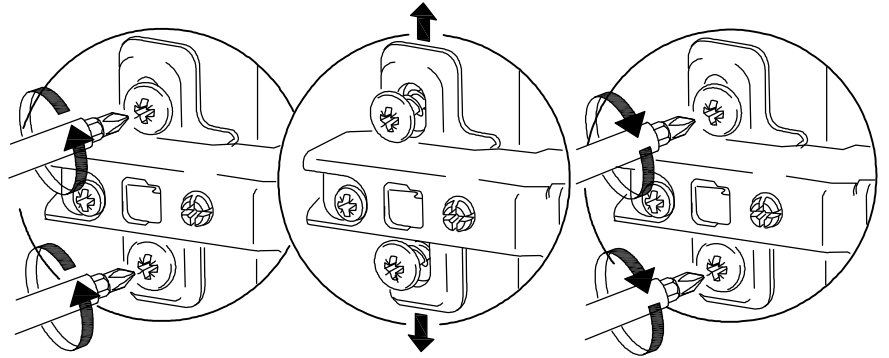
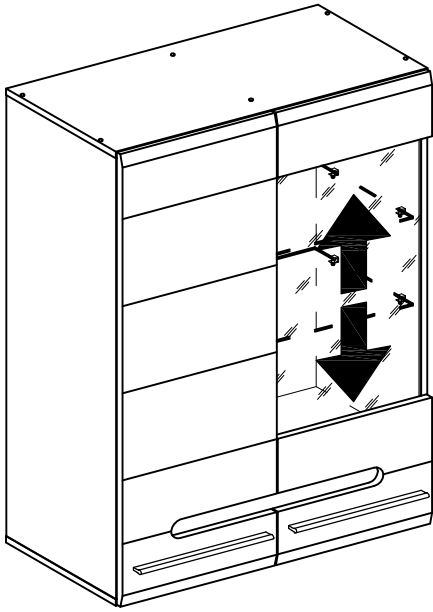
34


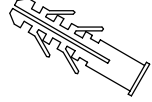
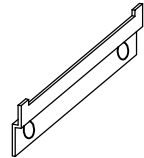


35

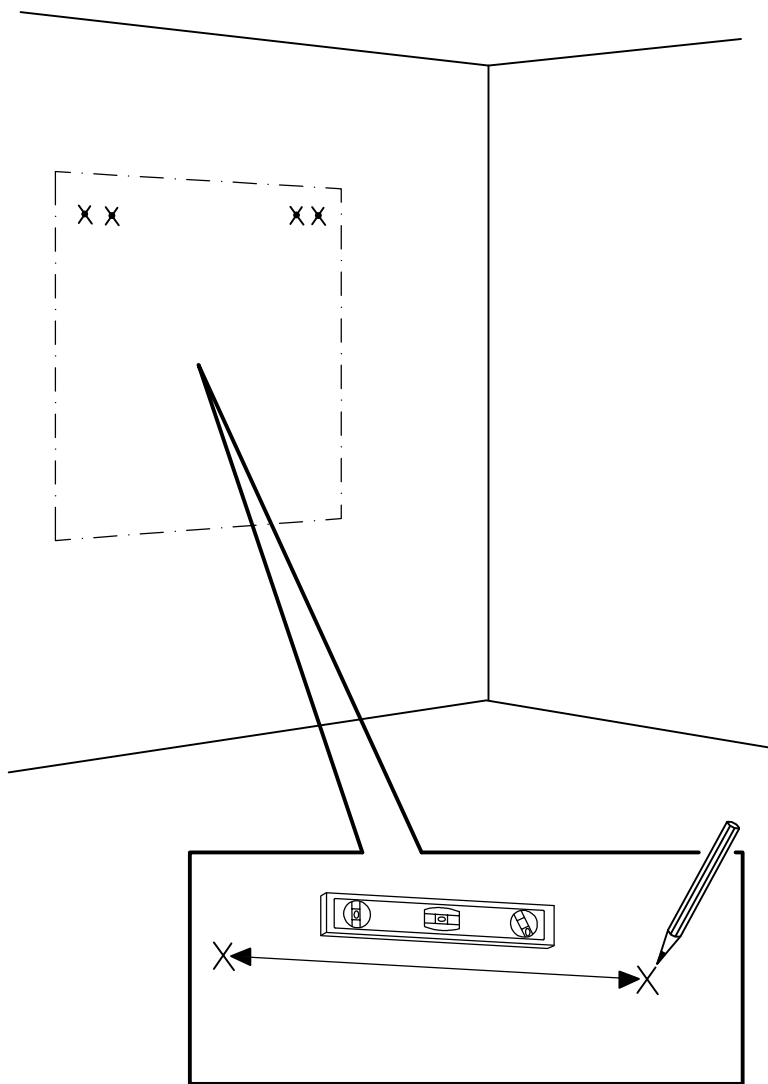
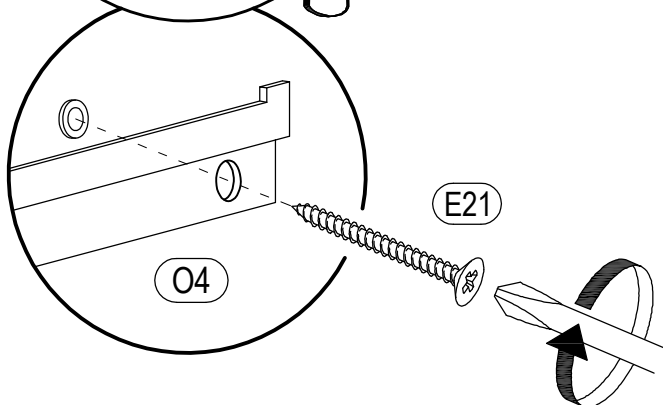
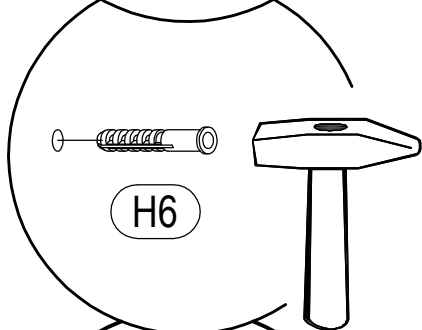
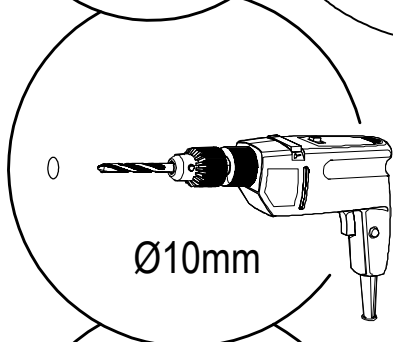
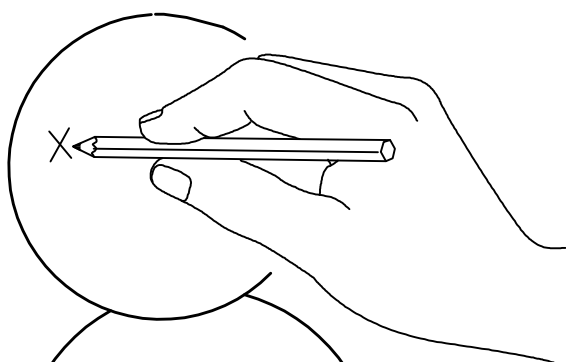
C

BYANKO

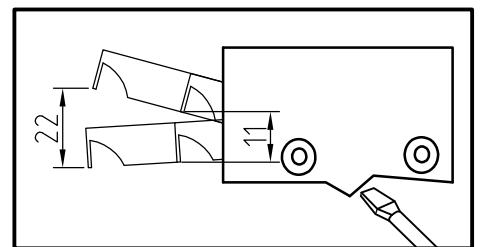
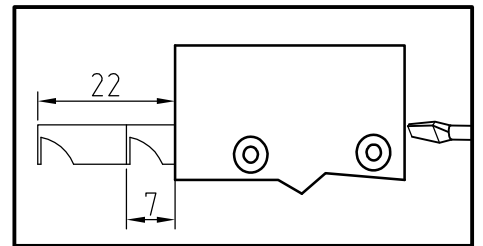
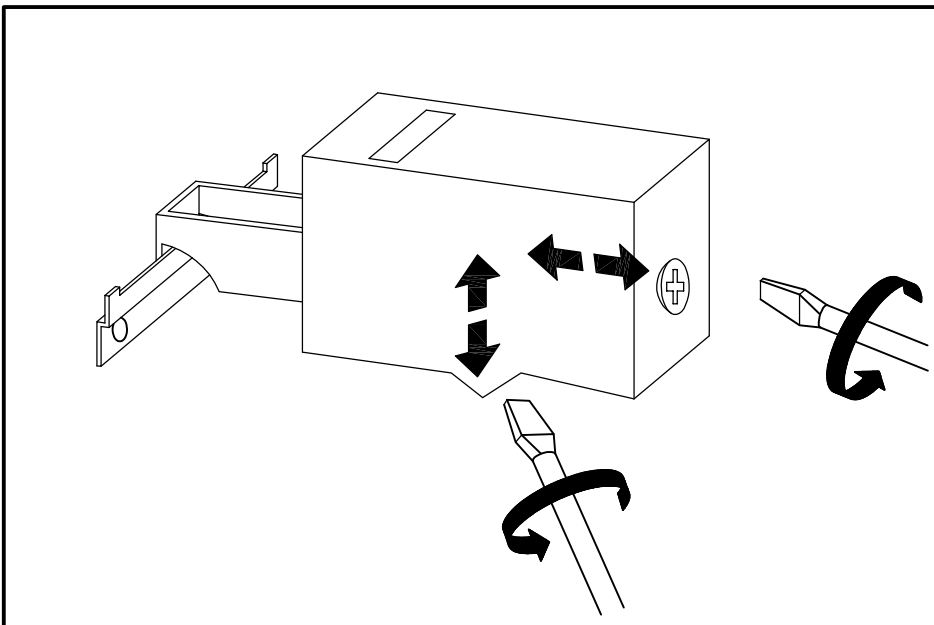
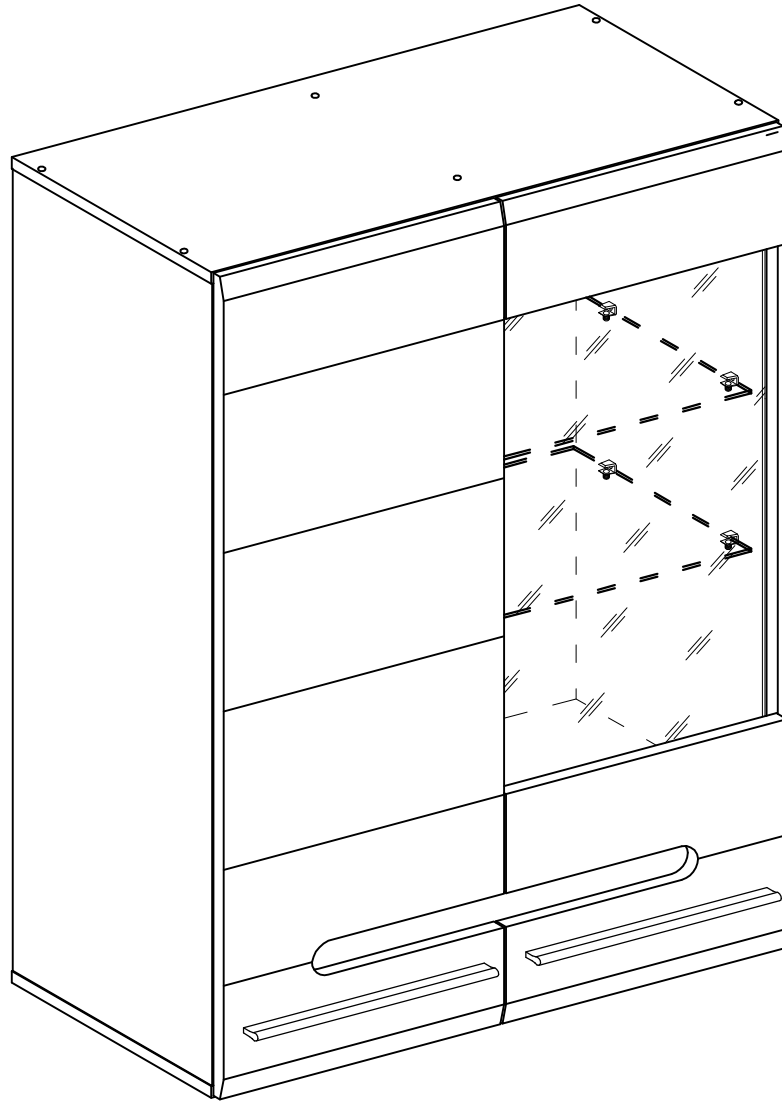


 E21 6*60mm x4	 H6 10*50mm x4	 O4 x2
--	--	--

36

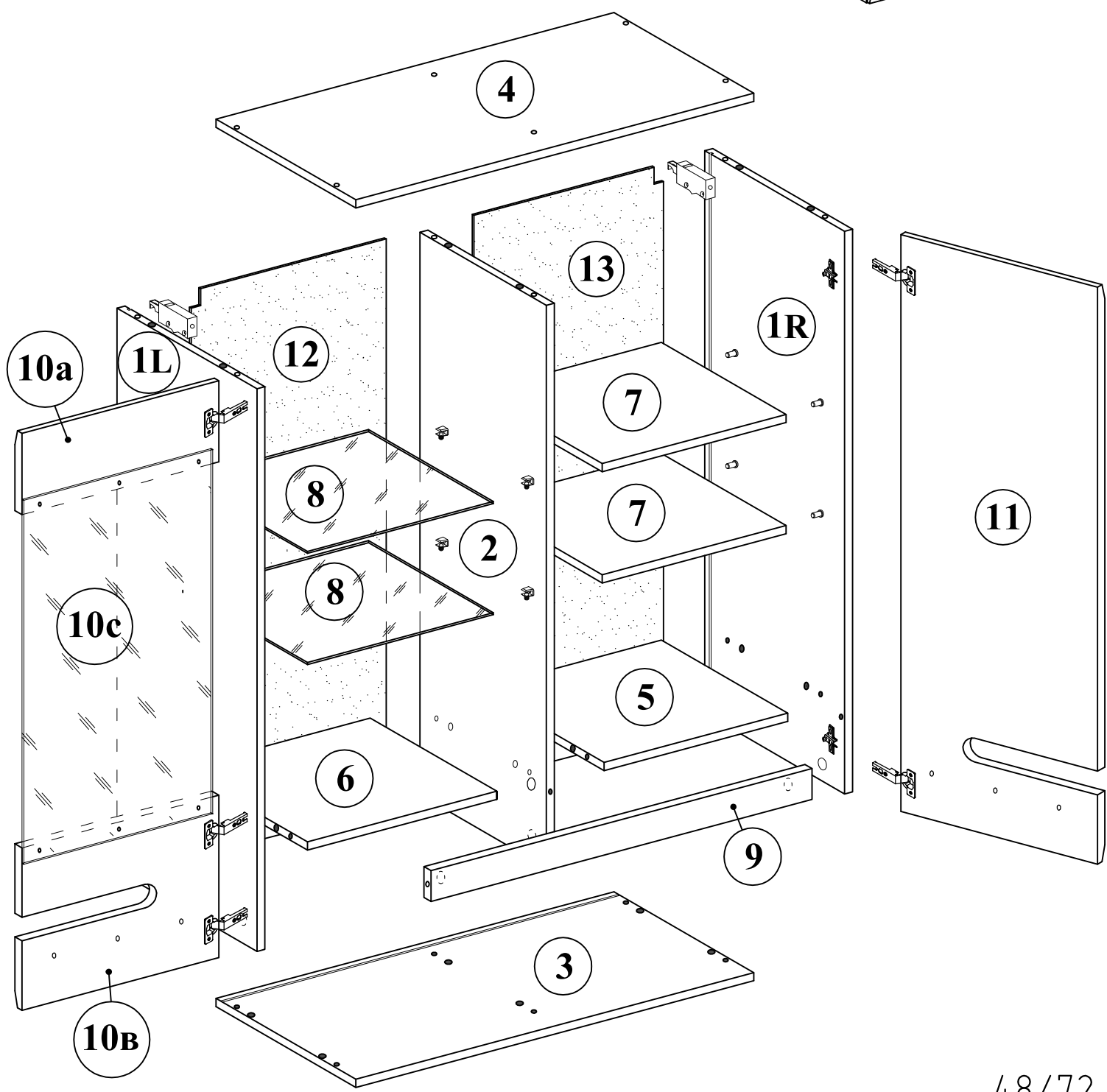
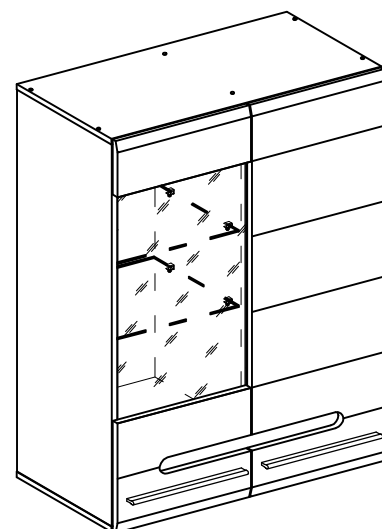



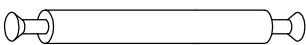

37



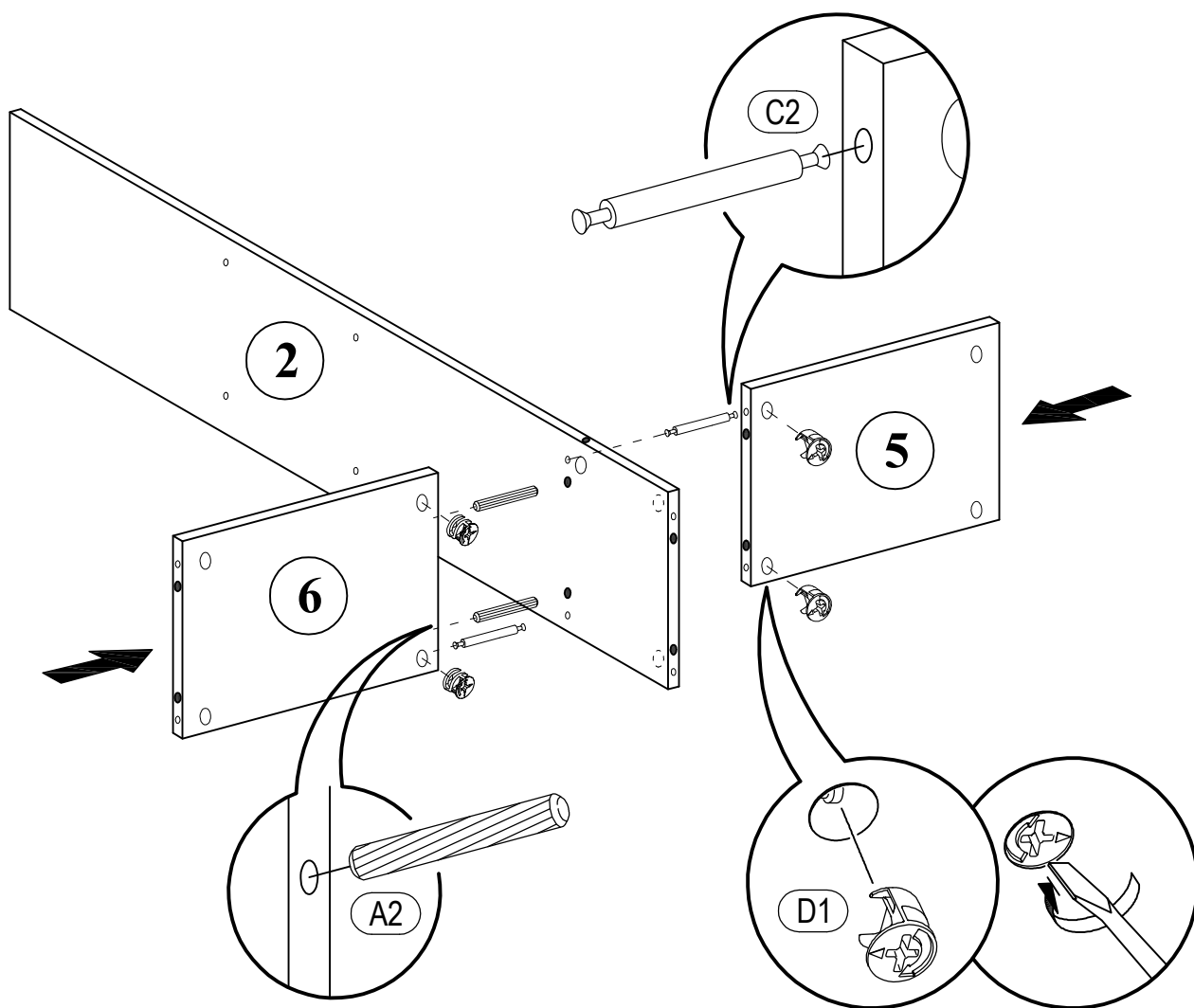
D

BYANKO



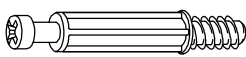
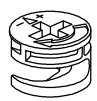
 A1 8*50mm x2	 C2 8*56mm x2	 D1 16mm x4
---	--	---

38

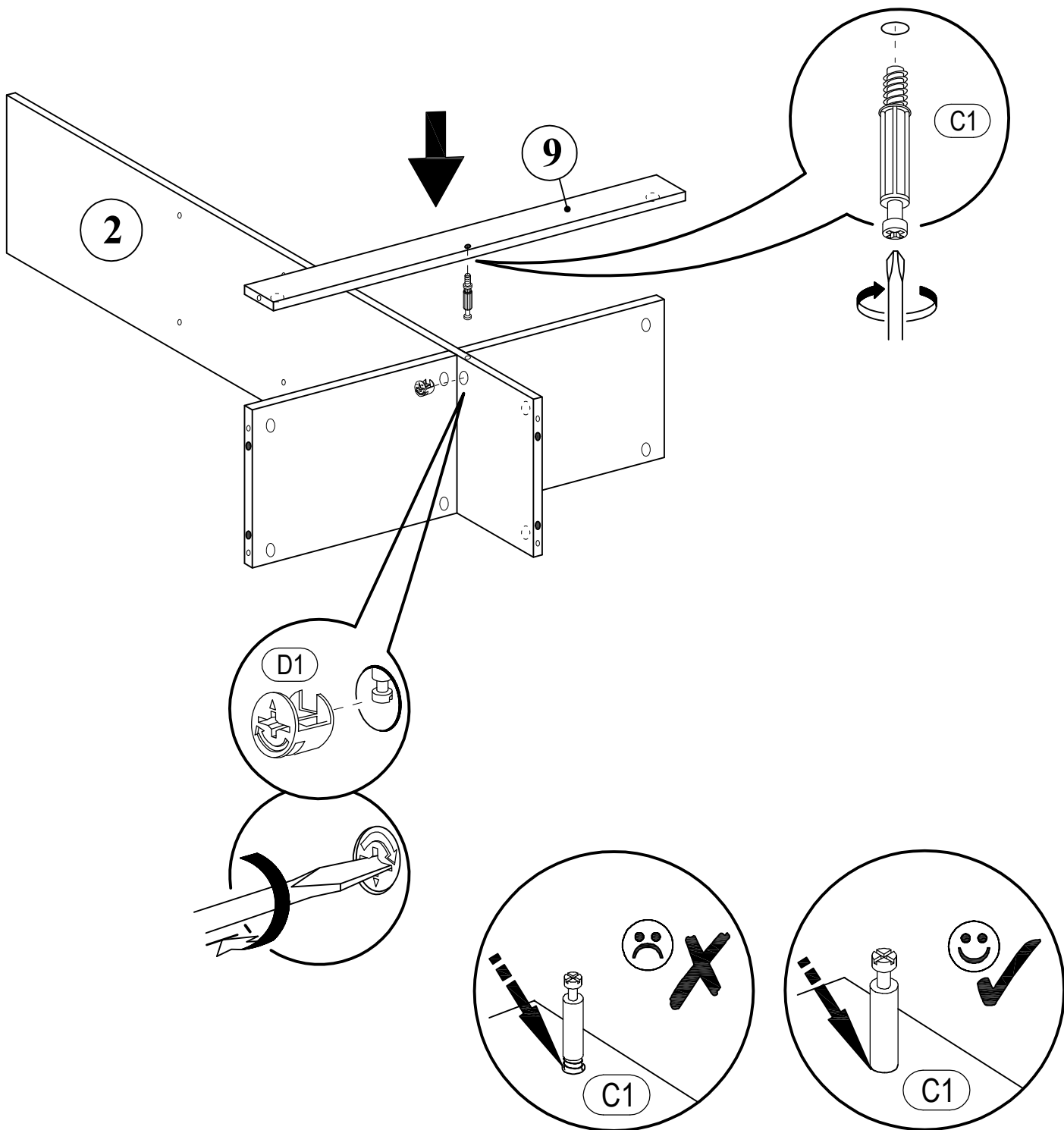


D

BYANKO


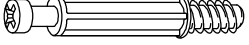

	
C1 5*30mm x1	D1 16mm x1

39

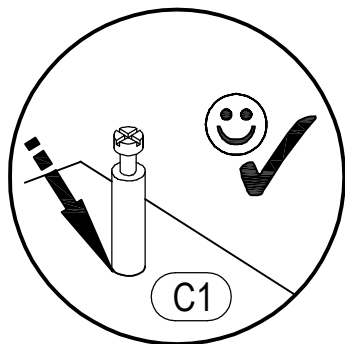
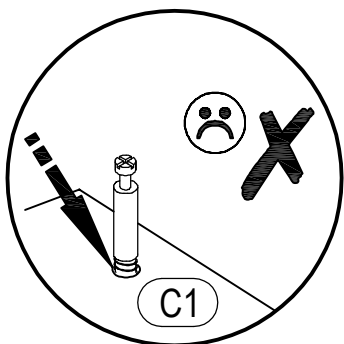
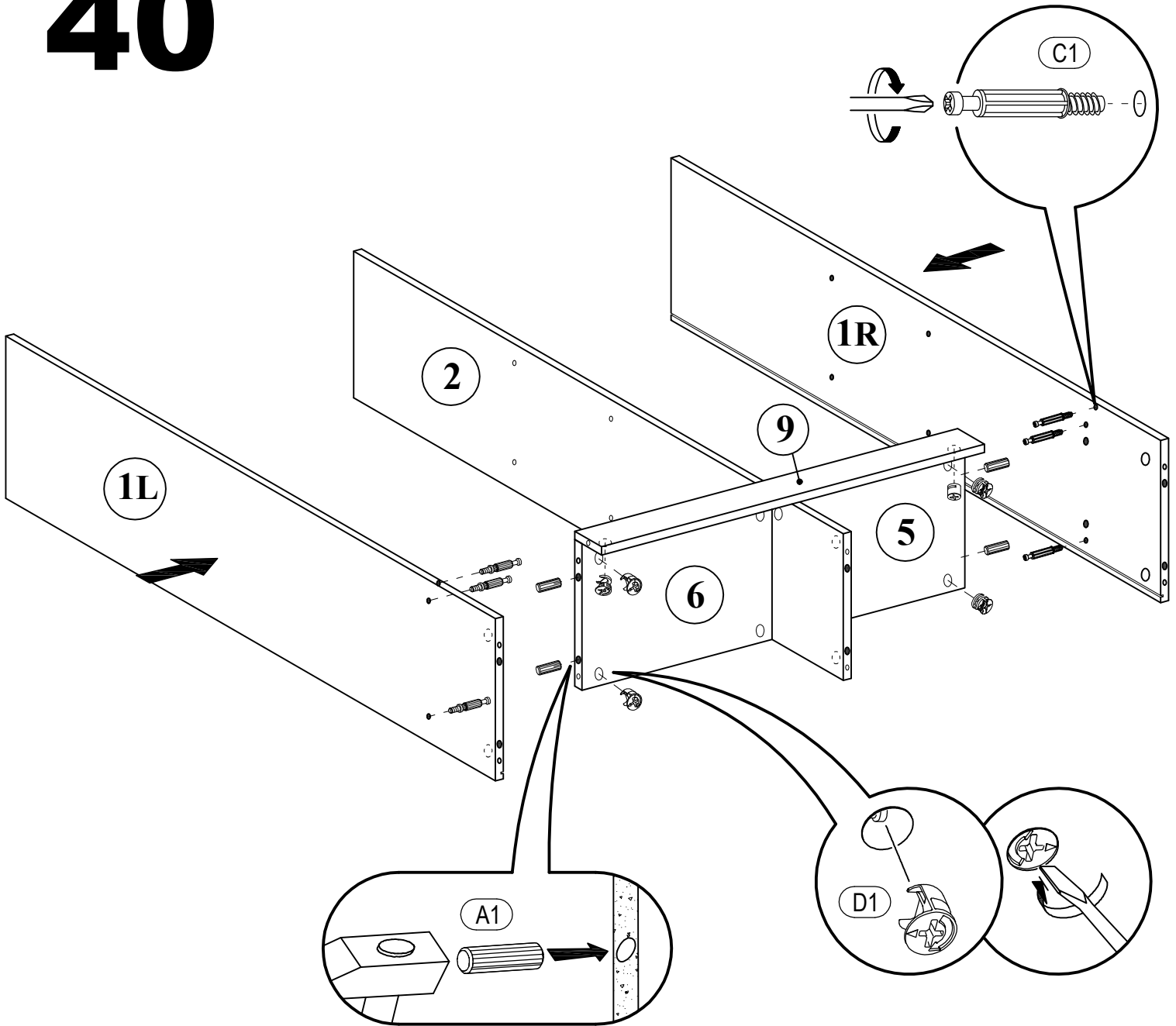



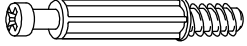

D

BYANKO

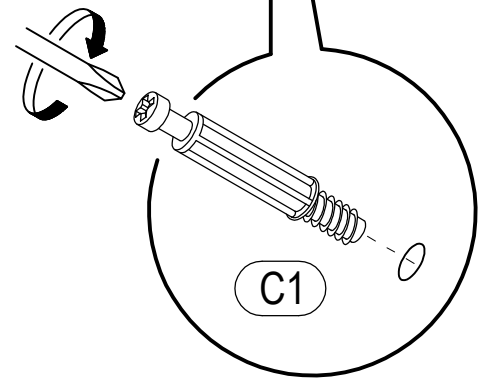
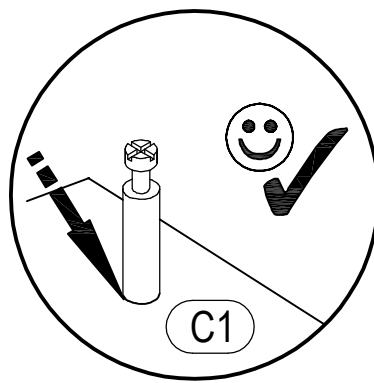
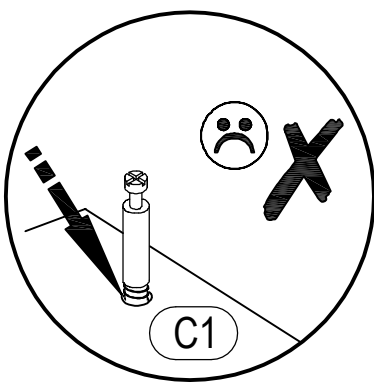
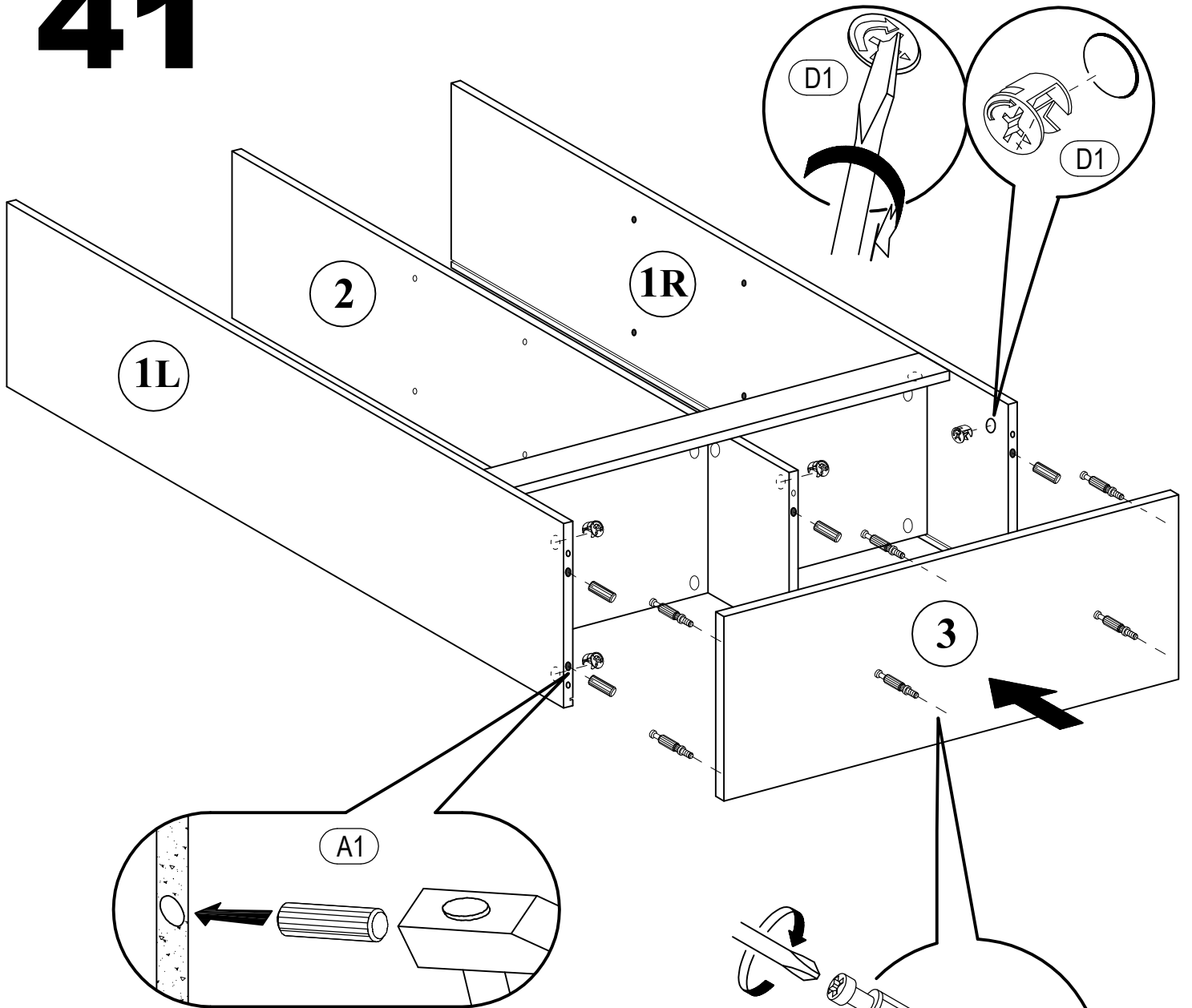
 A1 8*30mm x4	 C1 5*30mm x6	 D1 16mm x6
--	---	--

40




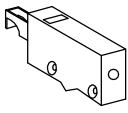
 A1 8*30mm x6	 C1 5*30mm x6	 D1 16mm x6
---	--	---

41

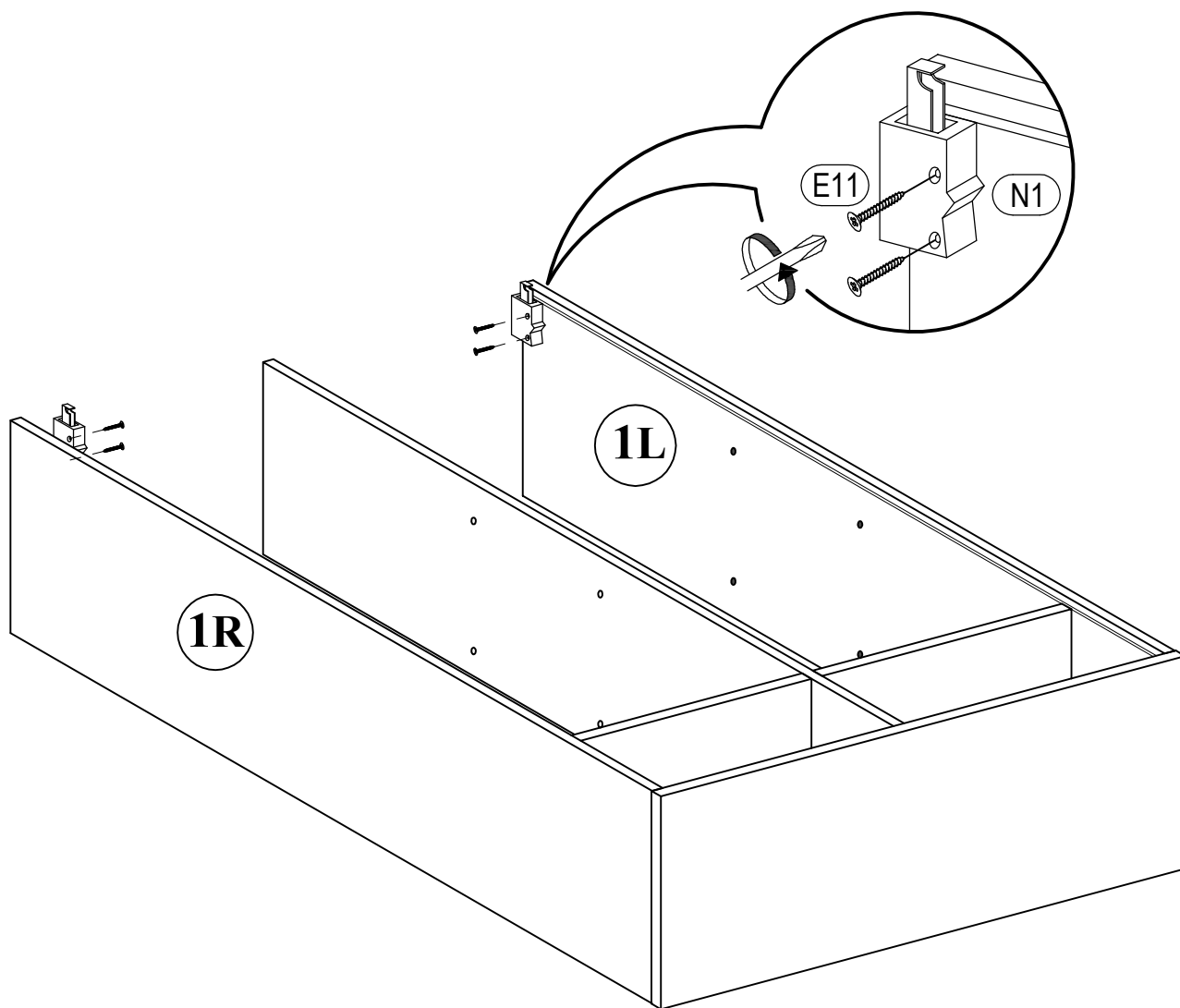
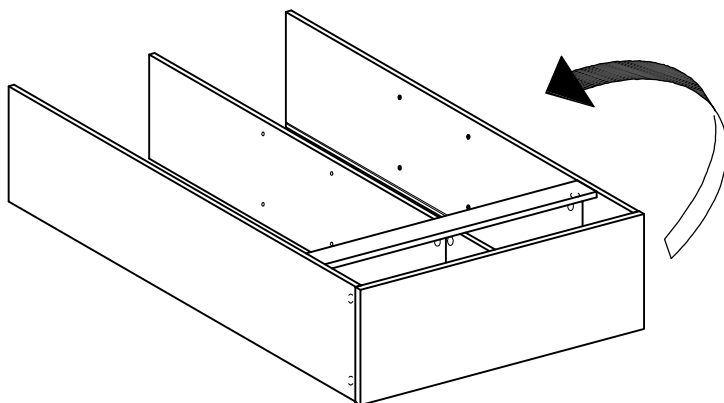


D

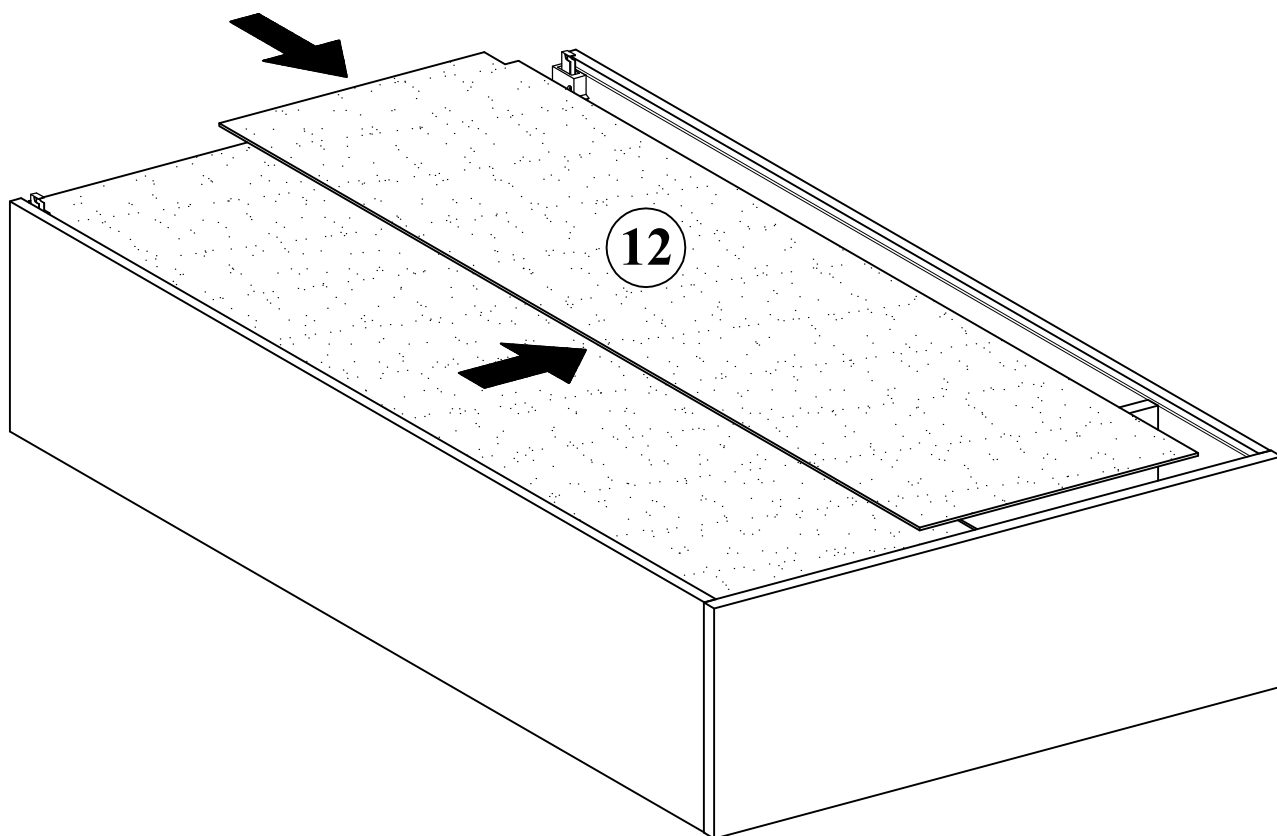
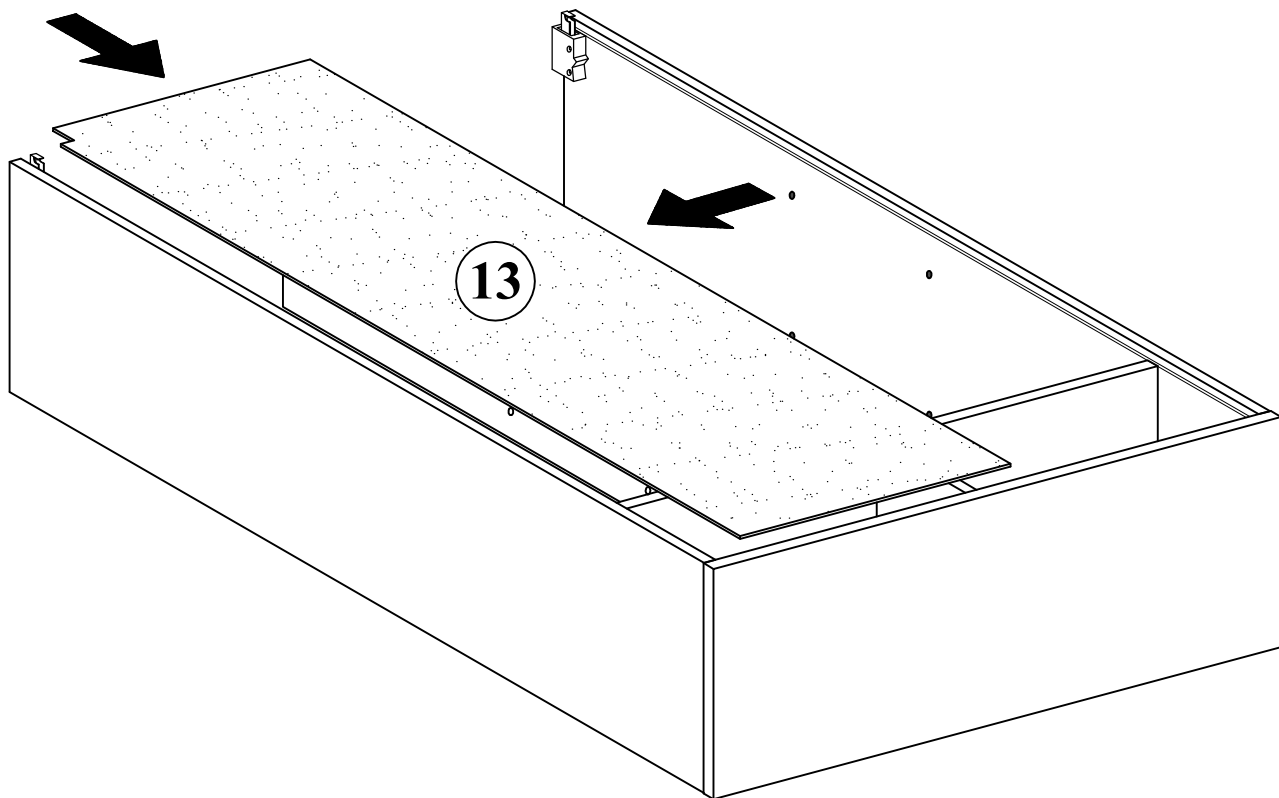
BYANKO

 <p>(E11) 4*30mm x4</p>	 <p>(N1) x2</p>
--	--

42




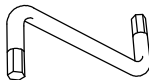
43

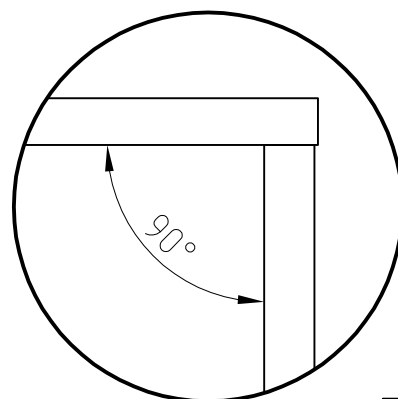
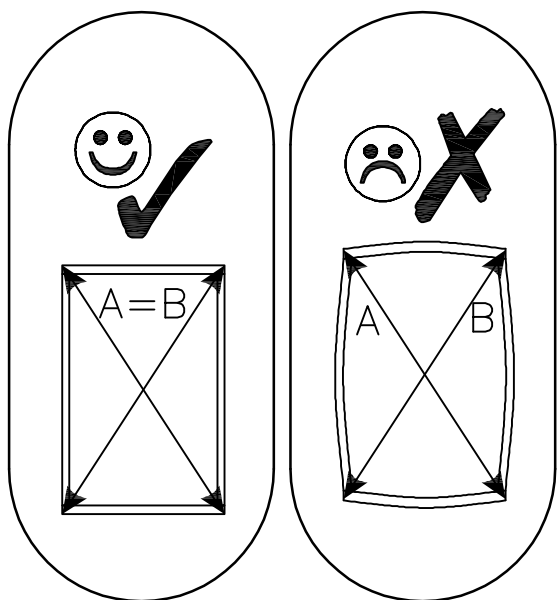
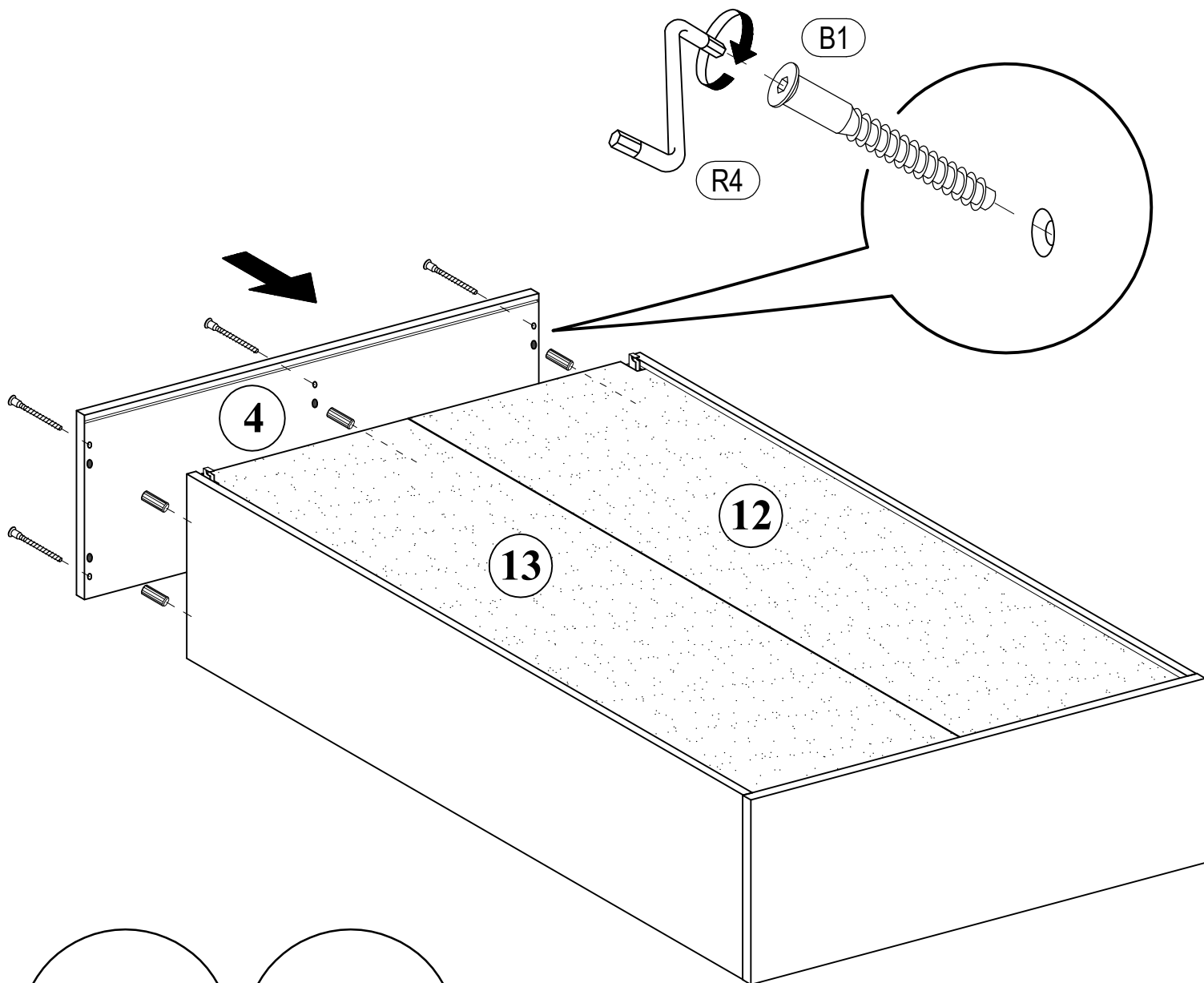





D

BYANKO

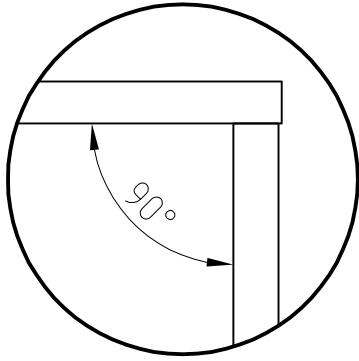
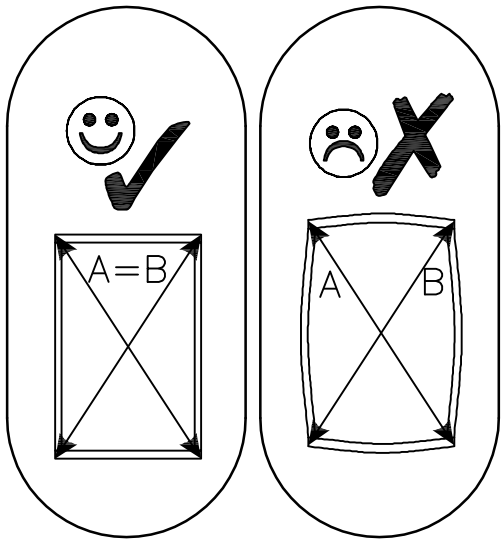
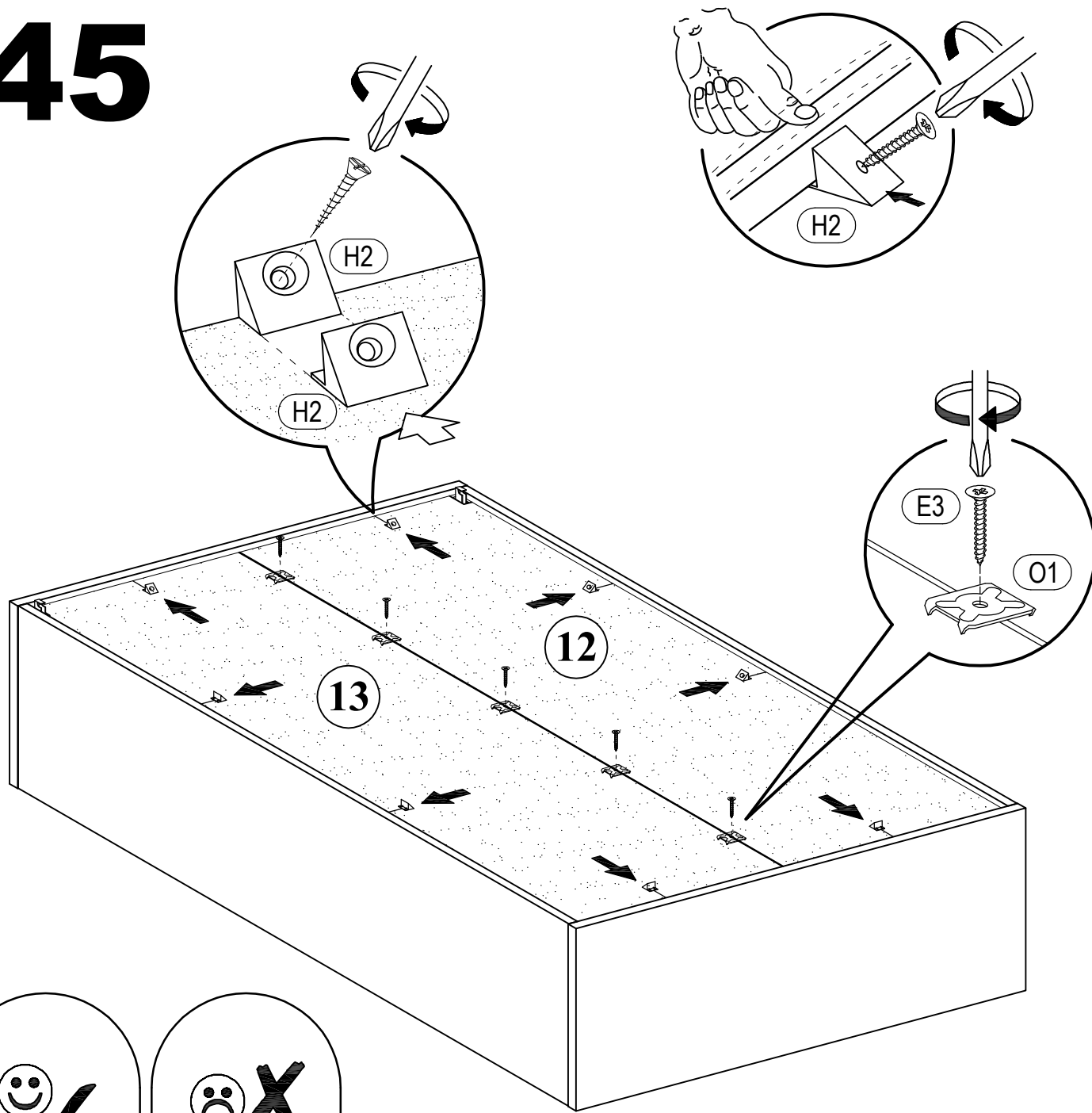
44


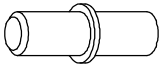
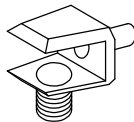
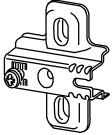
	
(B1) 6,3*50mm x6	(R4) N°4 x1



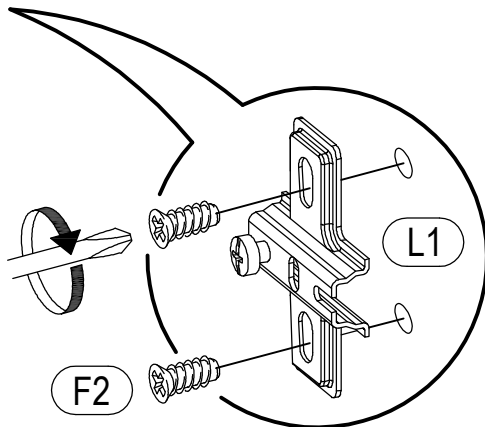
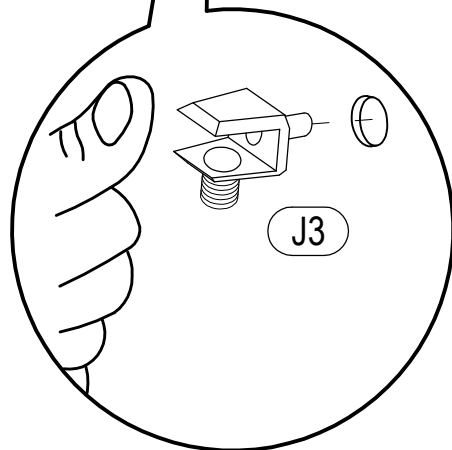
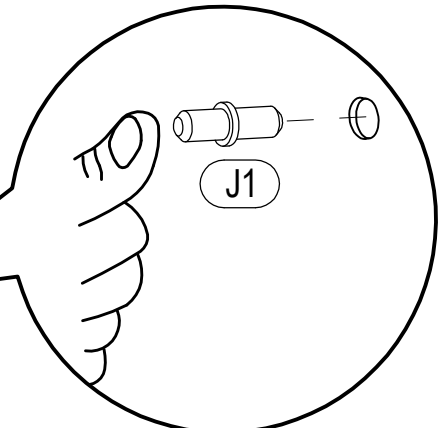
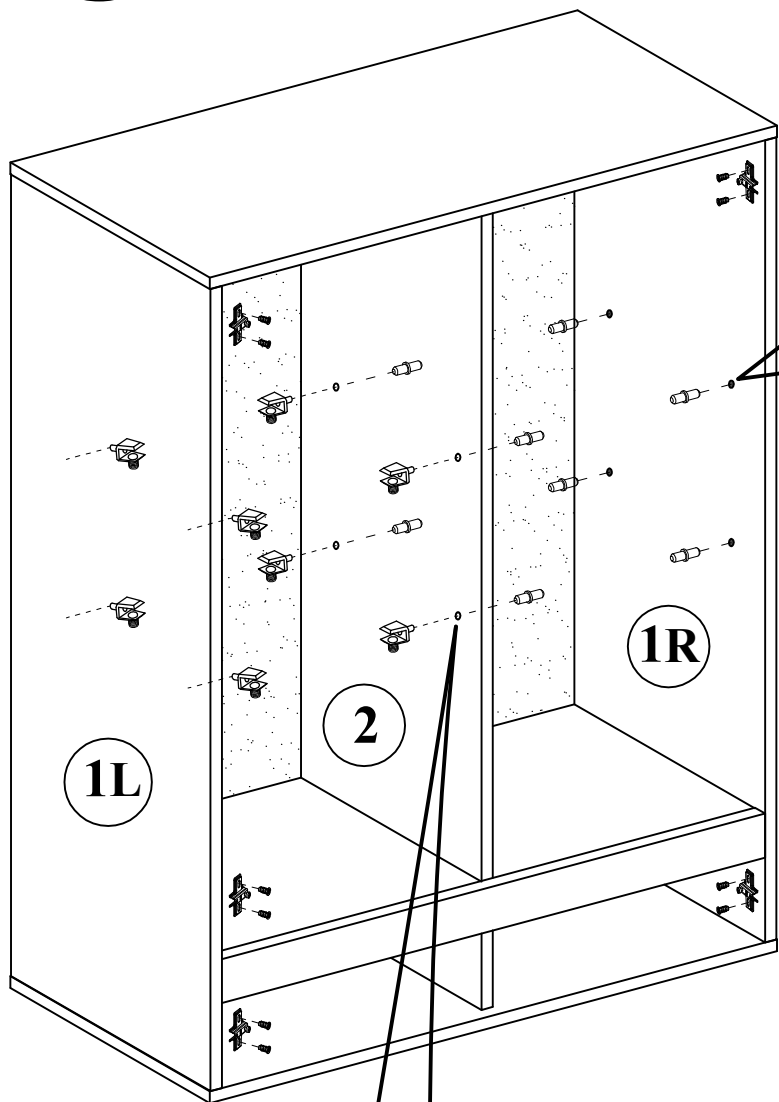
 (E3) 3*20mm x5	 (H2) x8	 (O1) x5
---	--	--

45

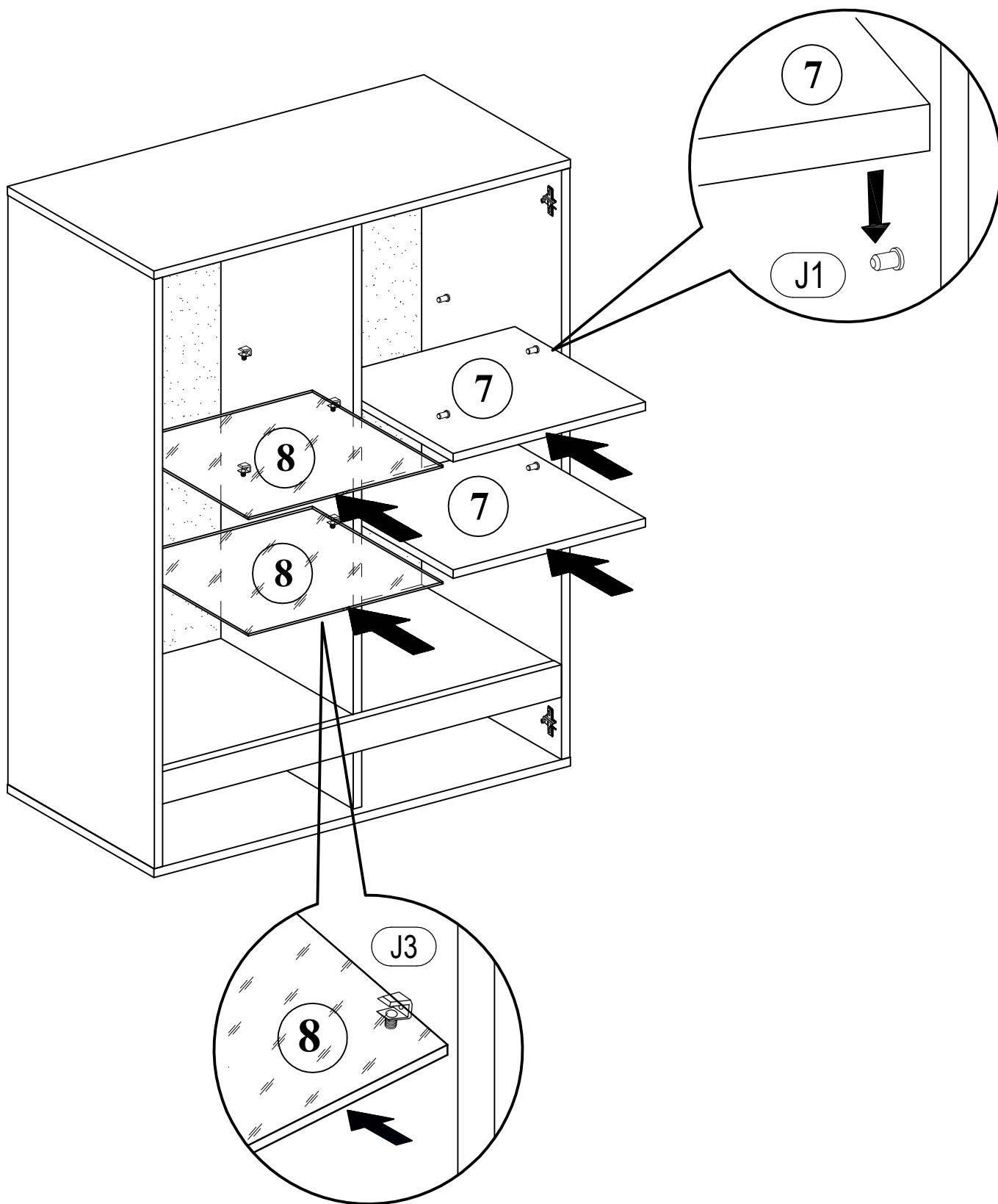




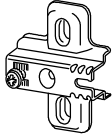

 F2 6,3*13mm x10	 J1 5*16mm x8	 J3 x8
		 L1 x5

46

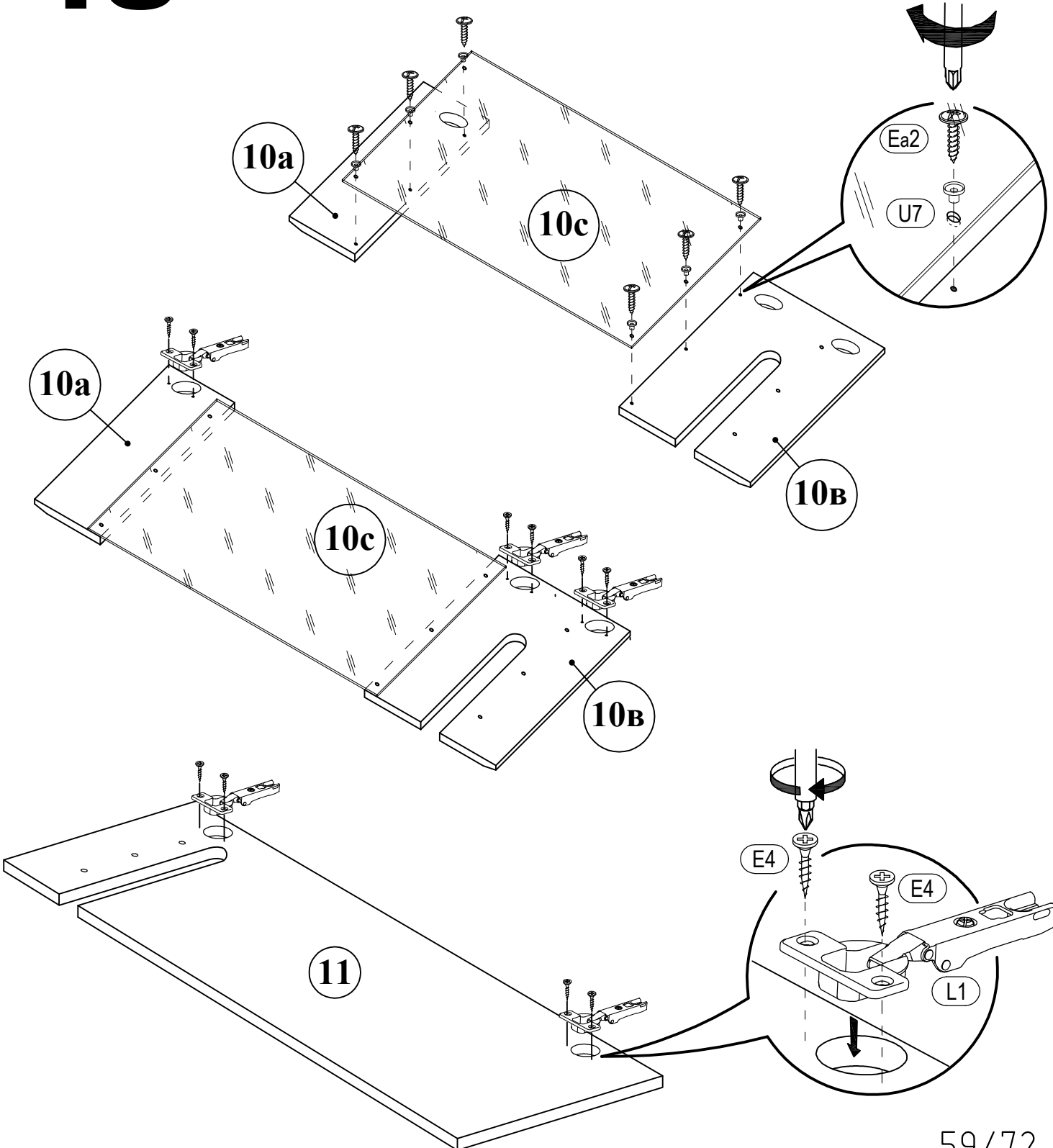


47

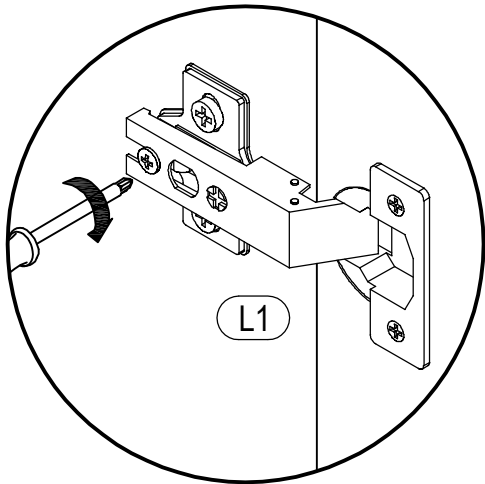
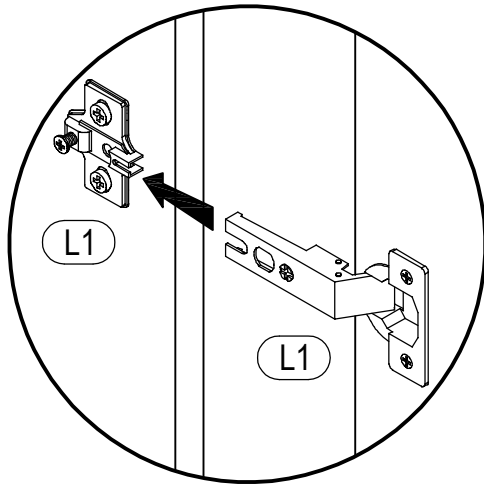
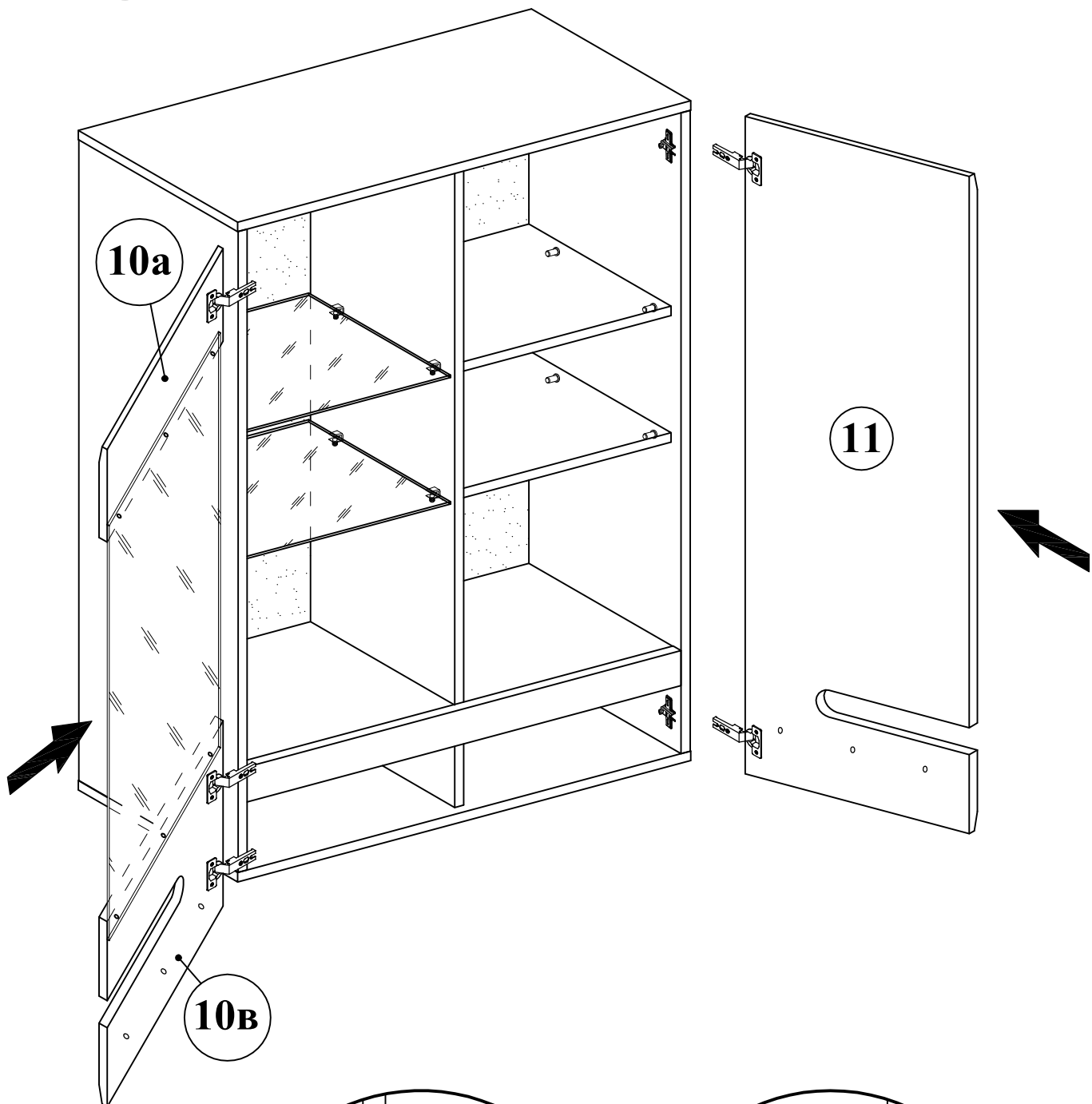


 E4 3,5*16 x10	 Ea2 4,2*16mm x6	 L1 x5
		 U7 M6 x6

48




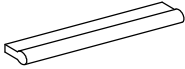
49

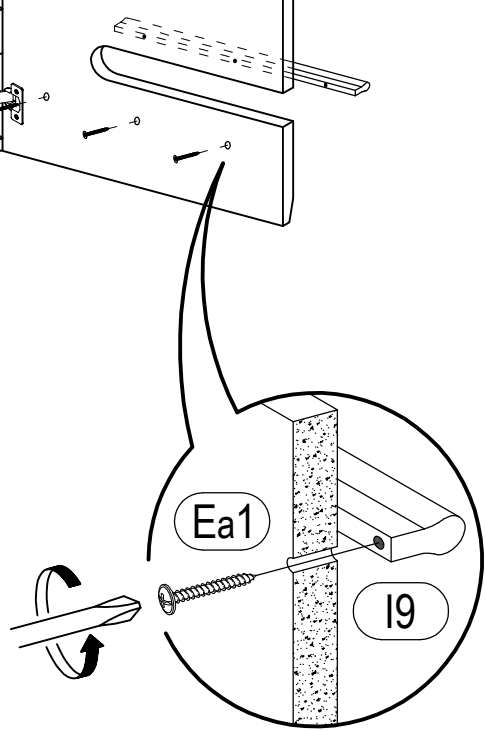
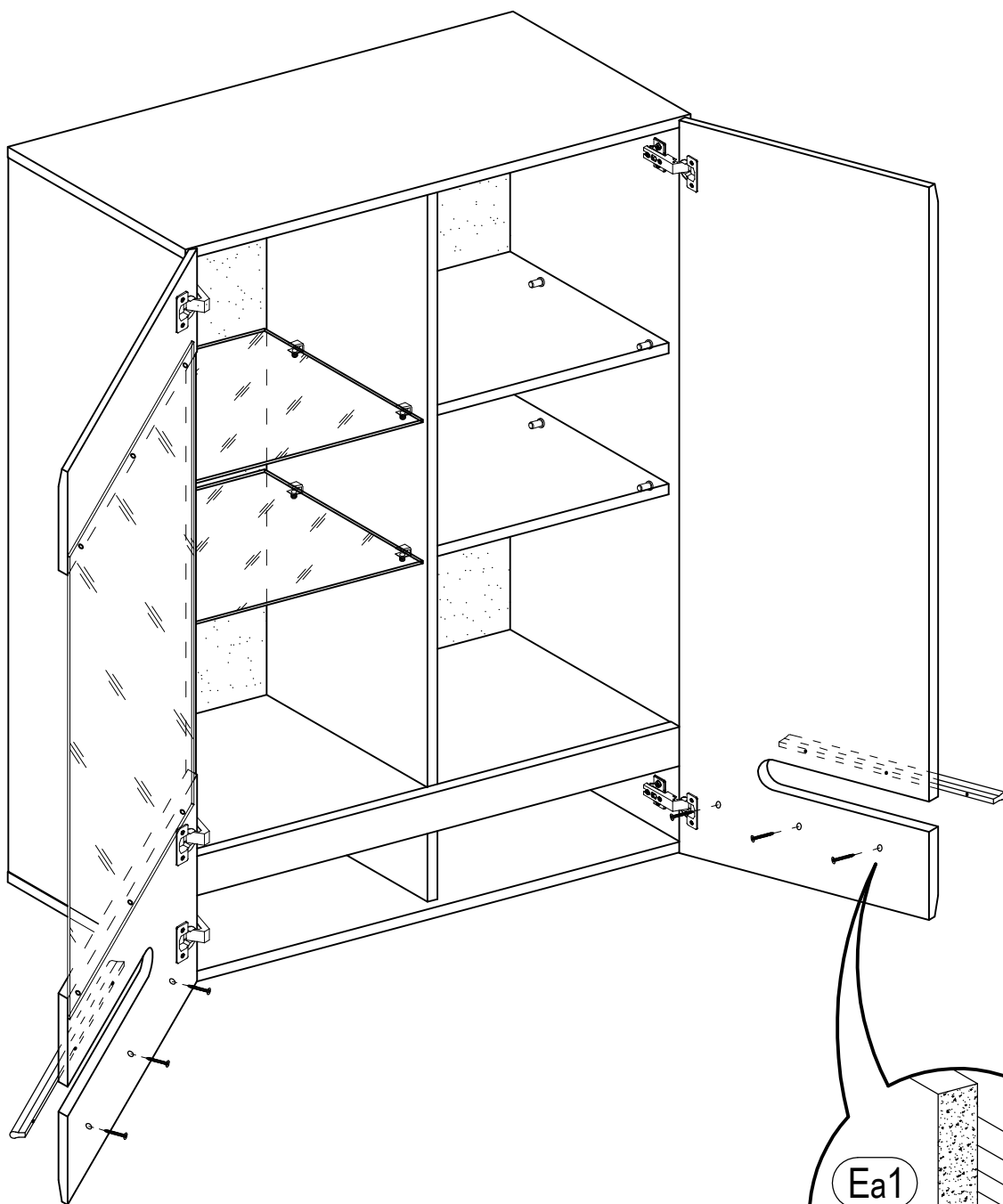


D

BYANKO


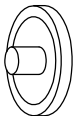

50

	
(Ea1) 3,5*27mm x6	(I9) x2

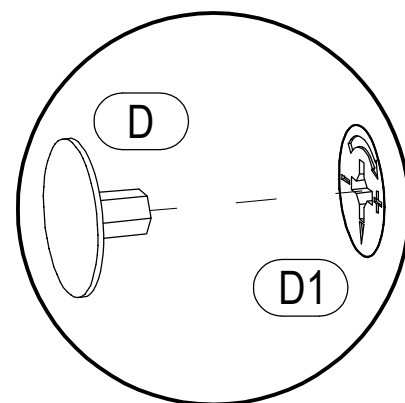
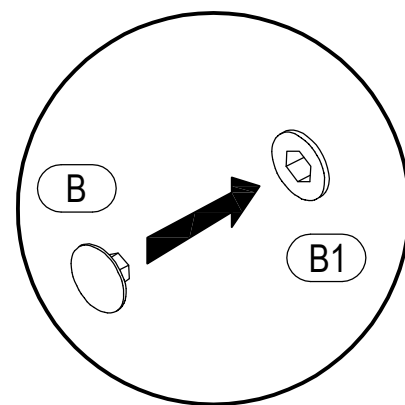
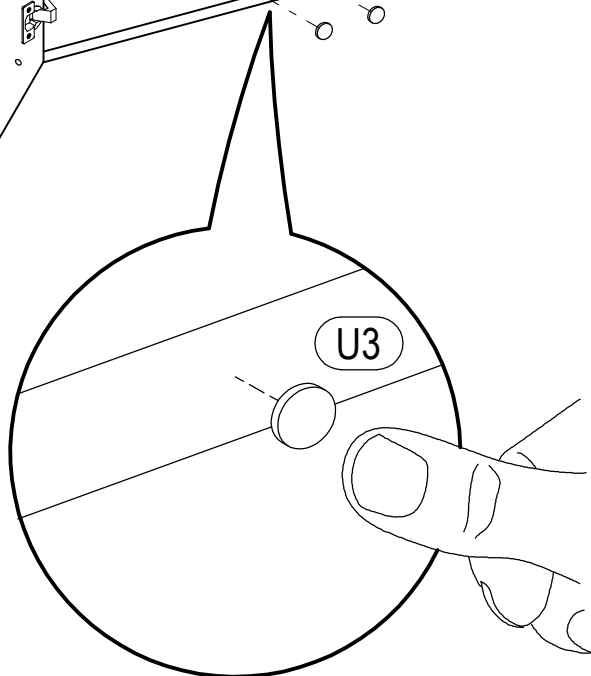
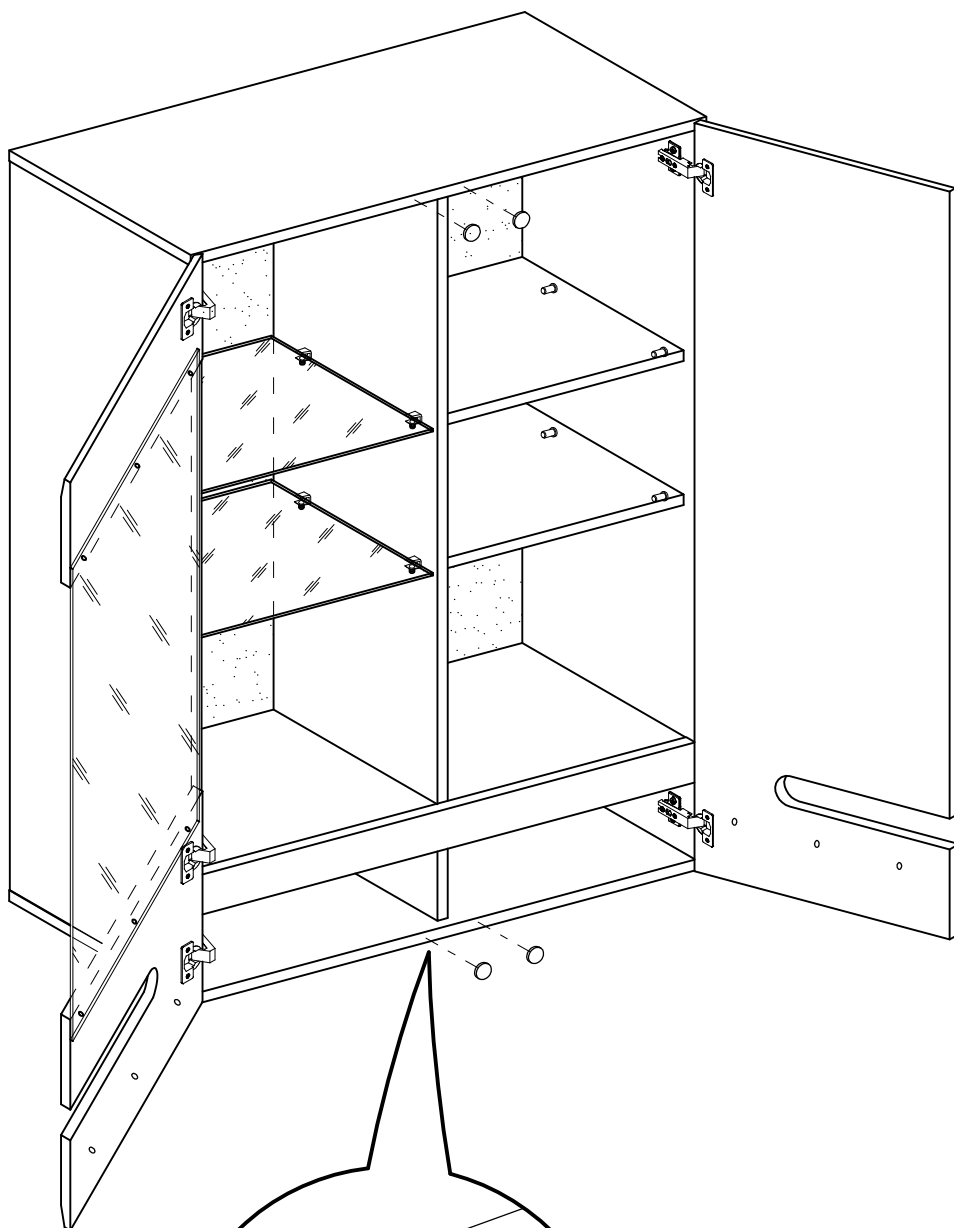


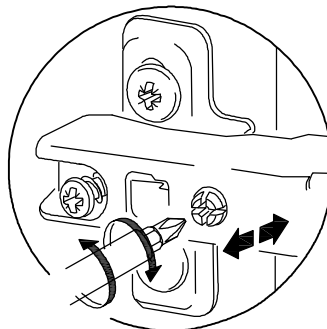
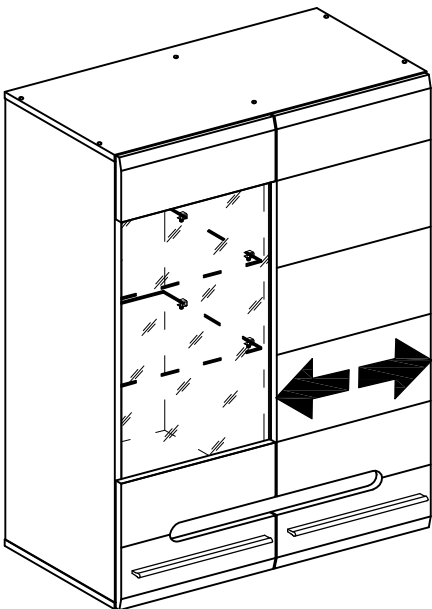
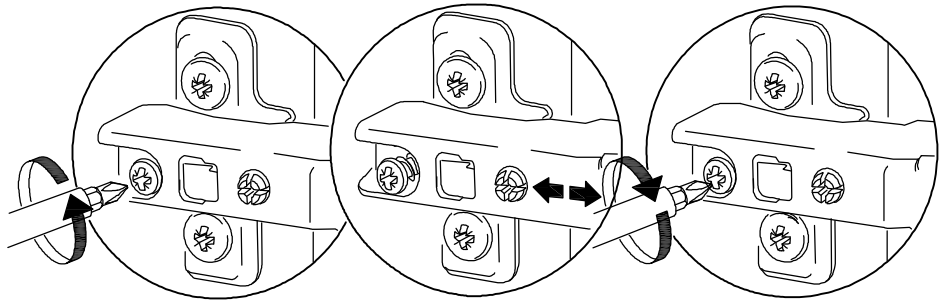
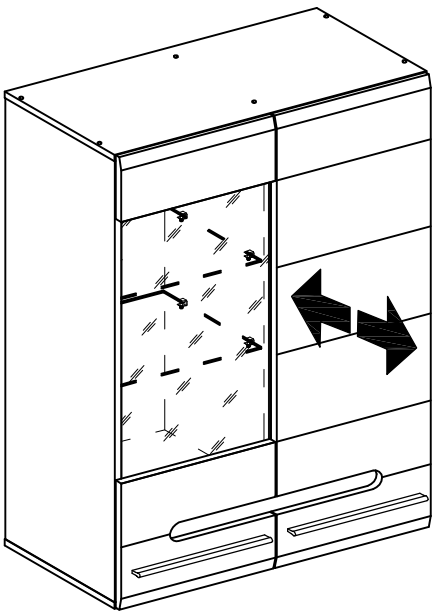
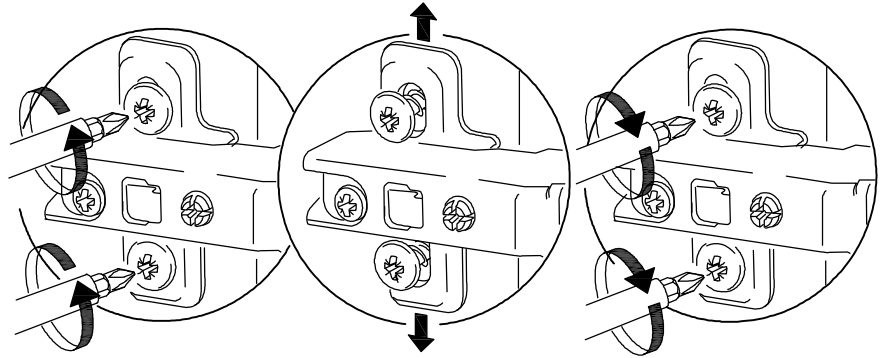
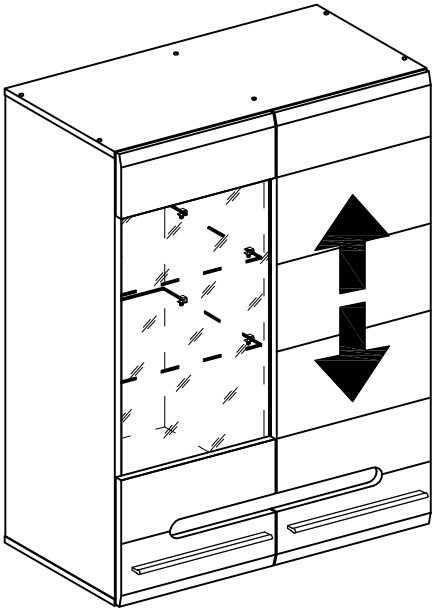
D


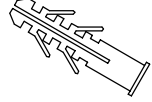
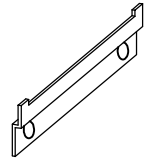
BYANKO

 B x6	 D x17	 U3 x4
--	---	---

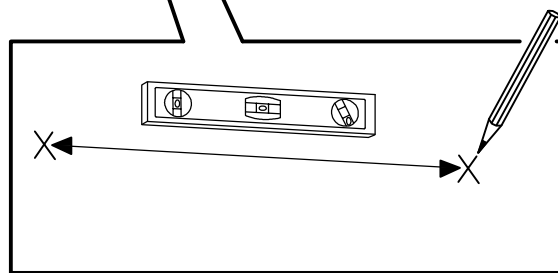
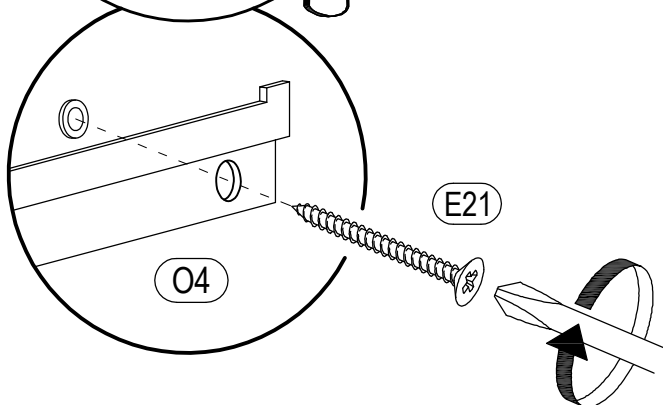
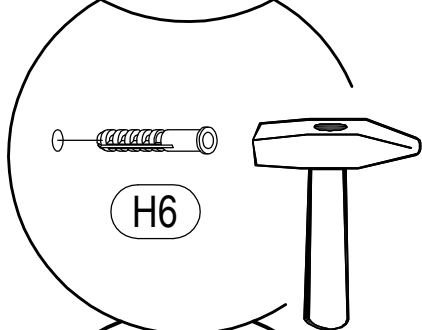
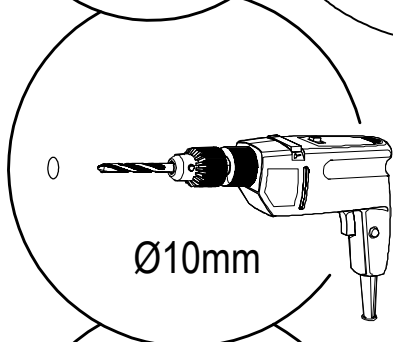
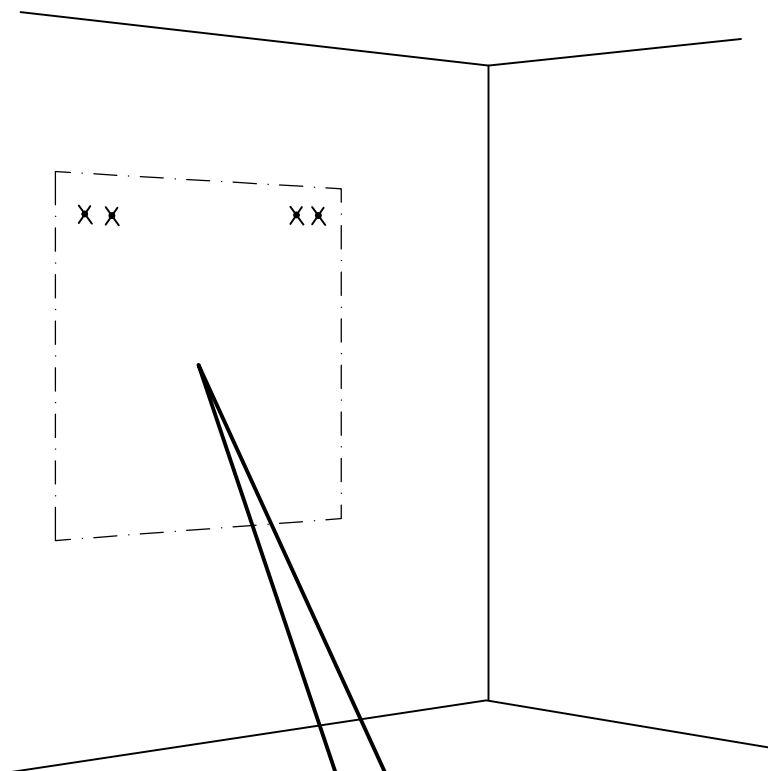
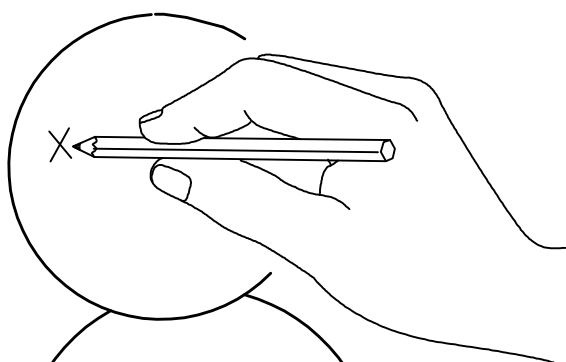
51



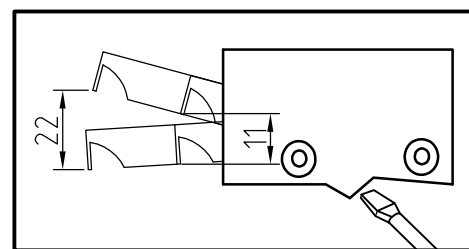
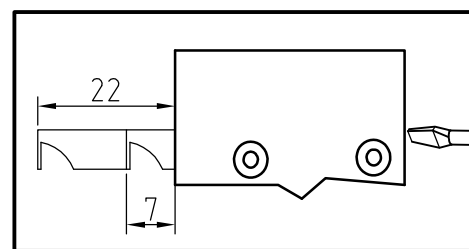
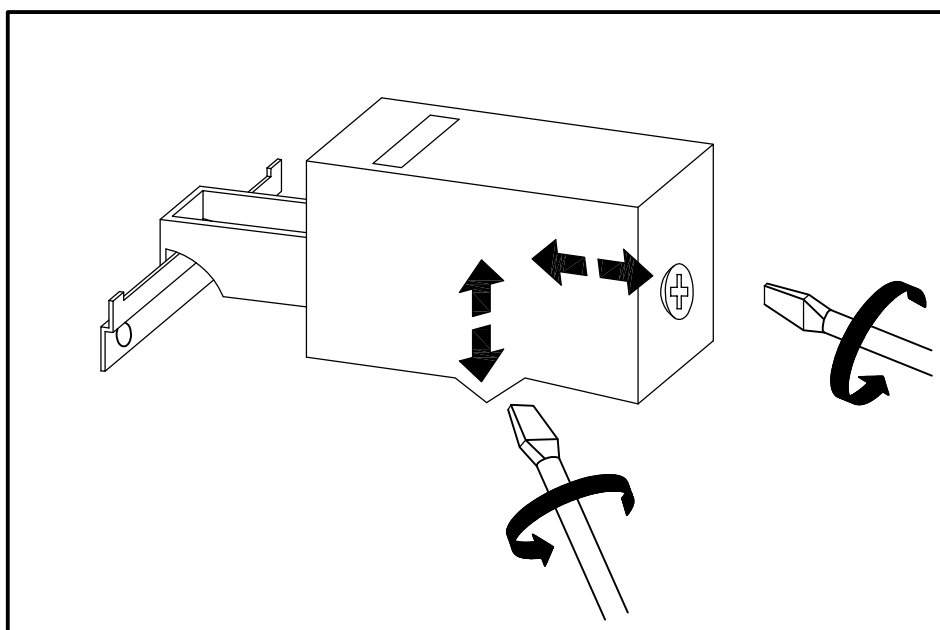
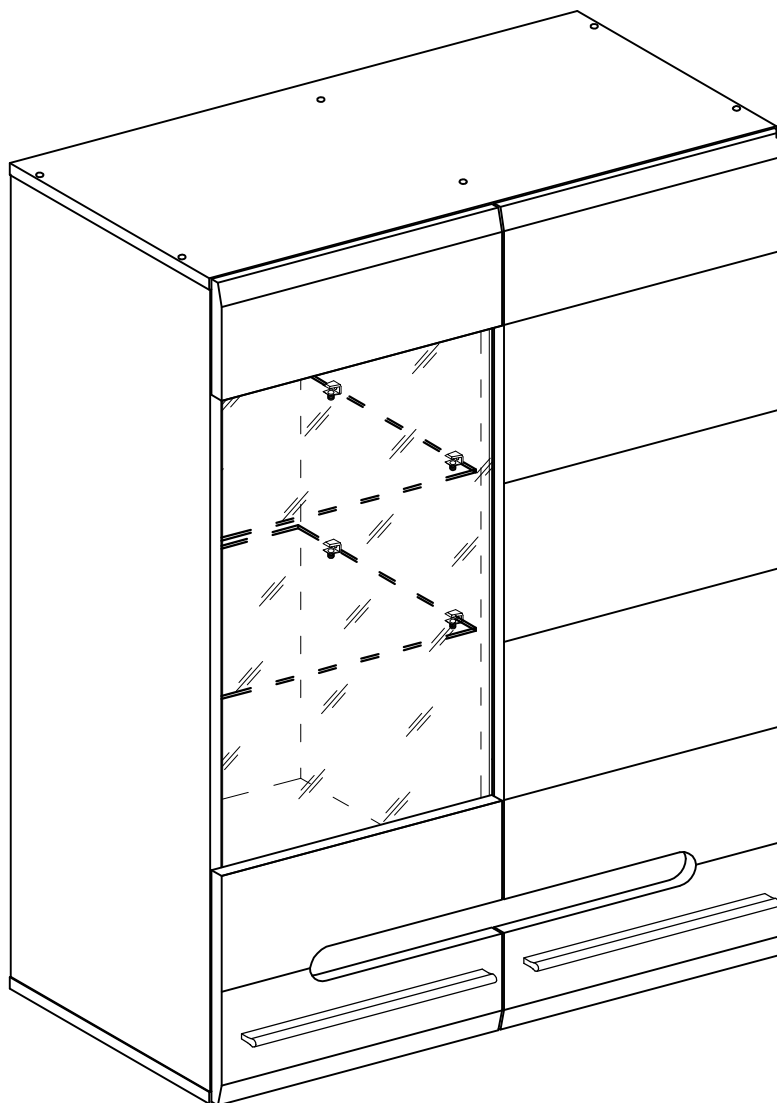


 E21 6*60mm x4	 H6 10*50mm x4	 O4 x2
--	--	--

53

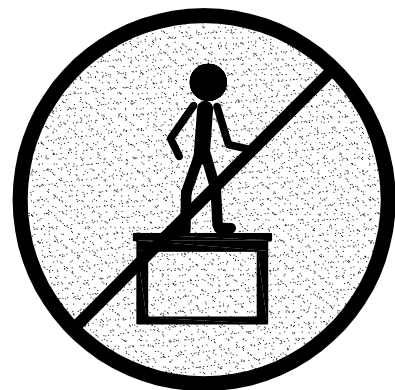
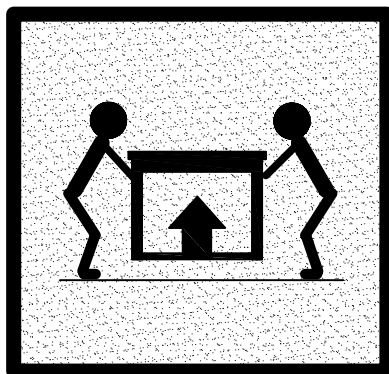
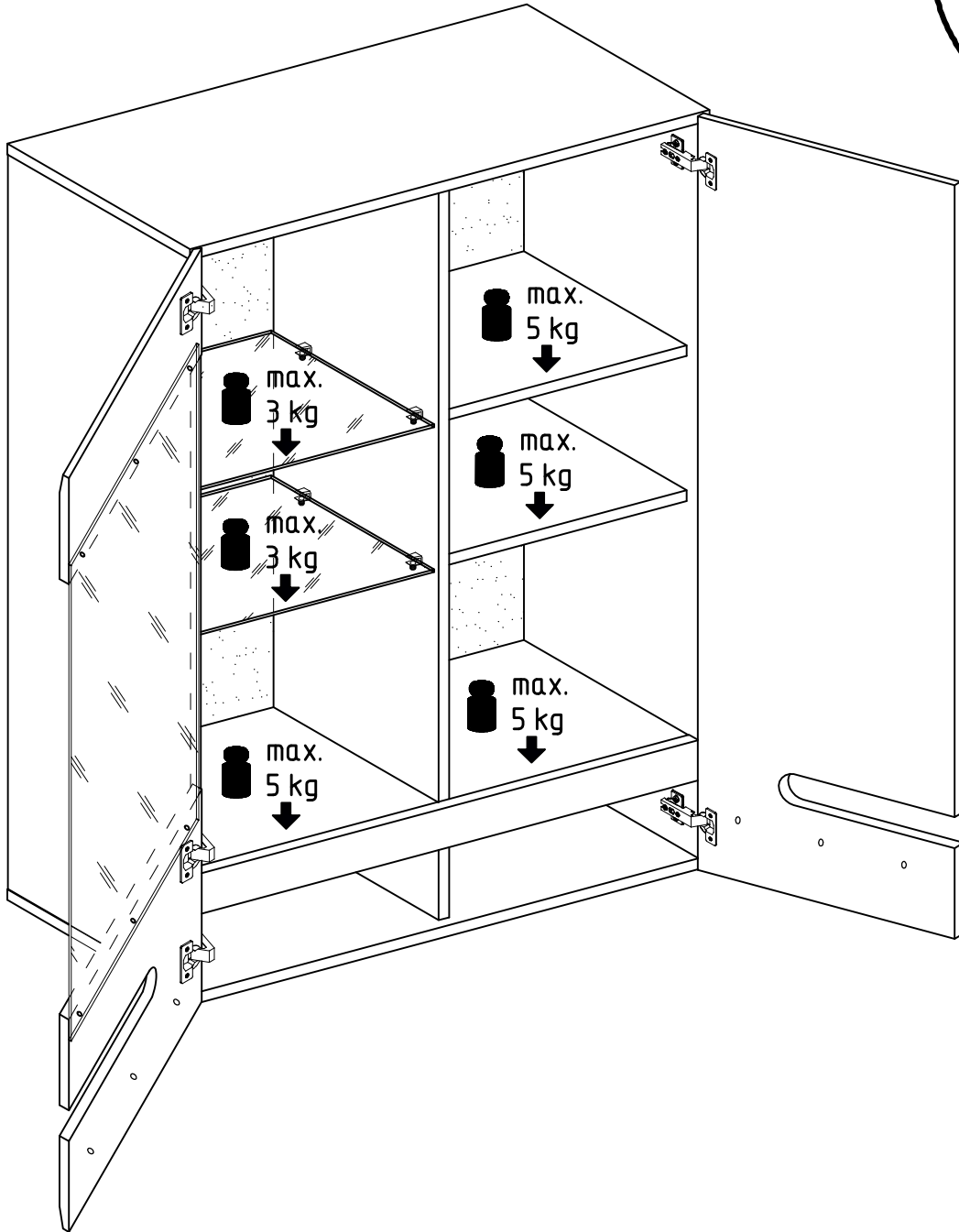


54



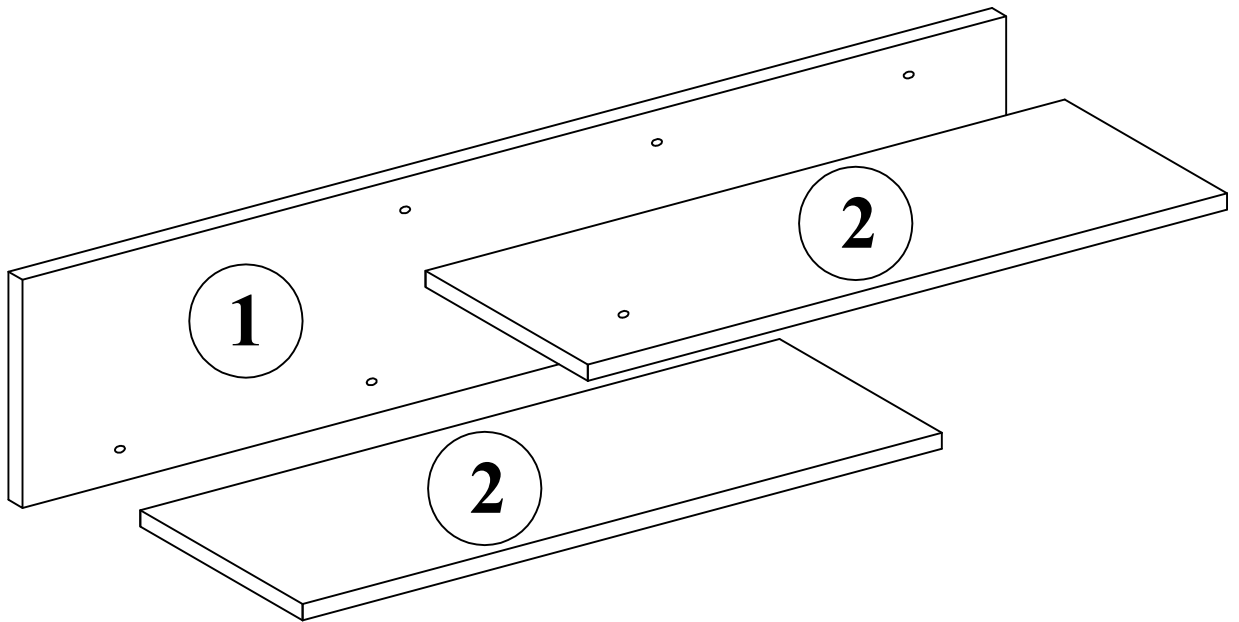
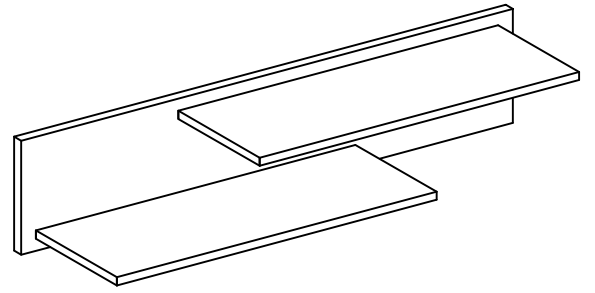
D

BYANKO



E

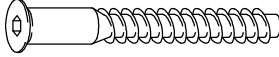
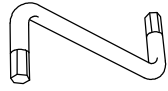
BYANKO

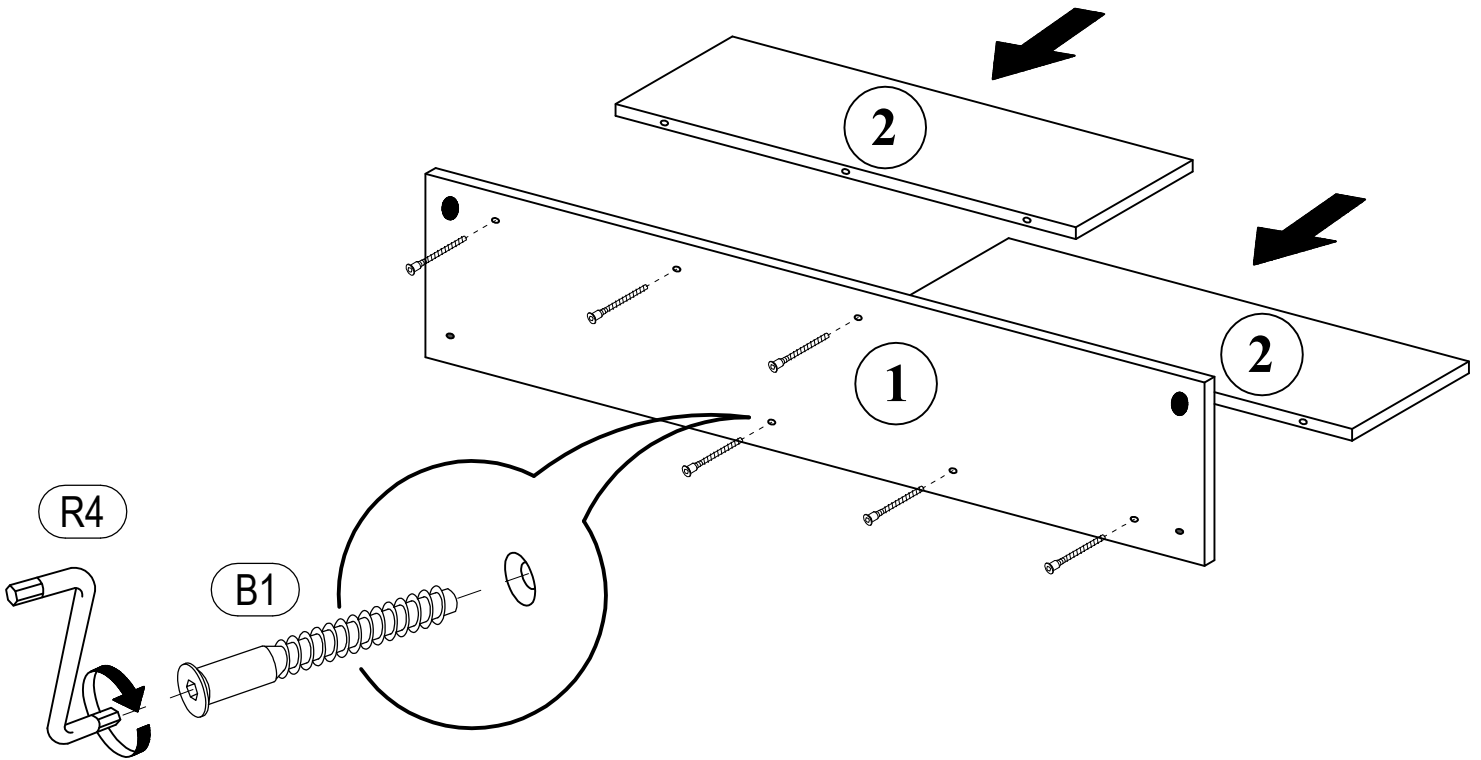


E

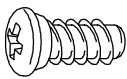
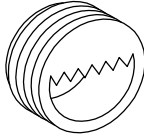
BYANKO

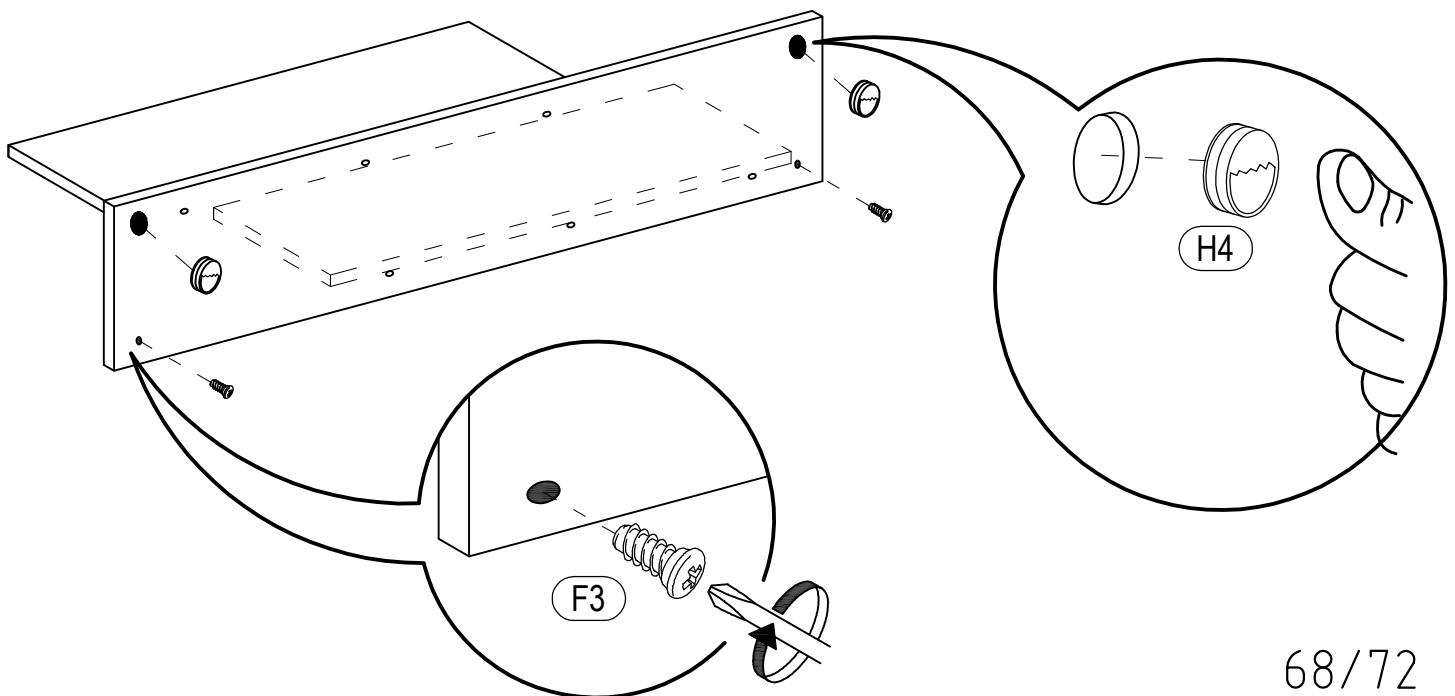
55

	
B1 6,3*50mm x6	R4 N°4 x1

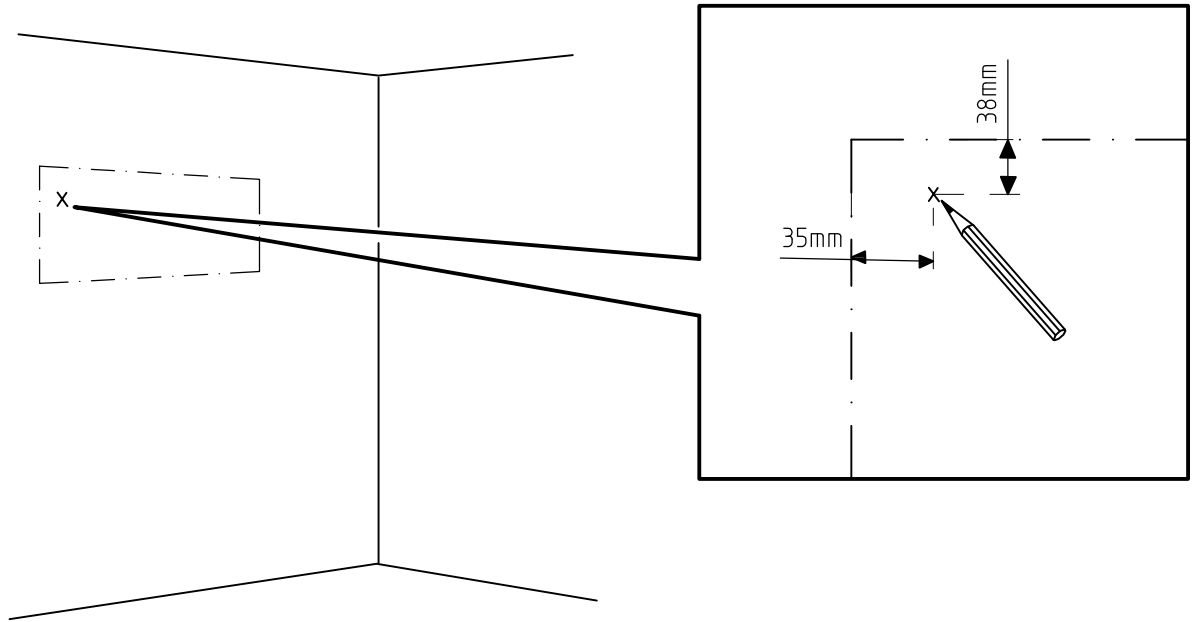


56

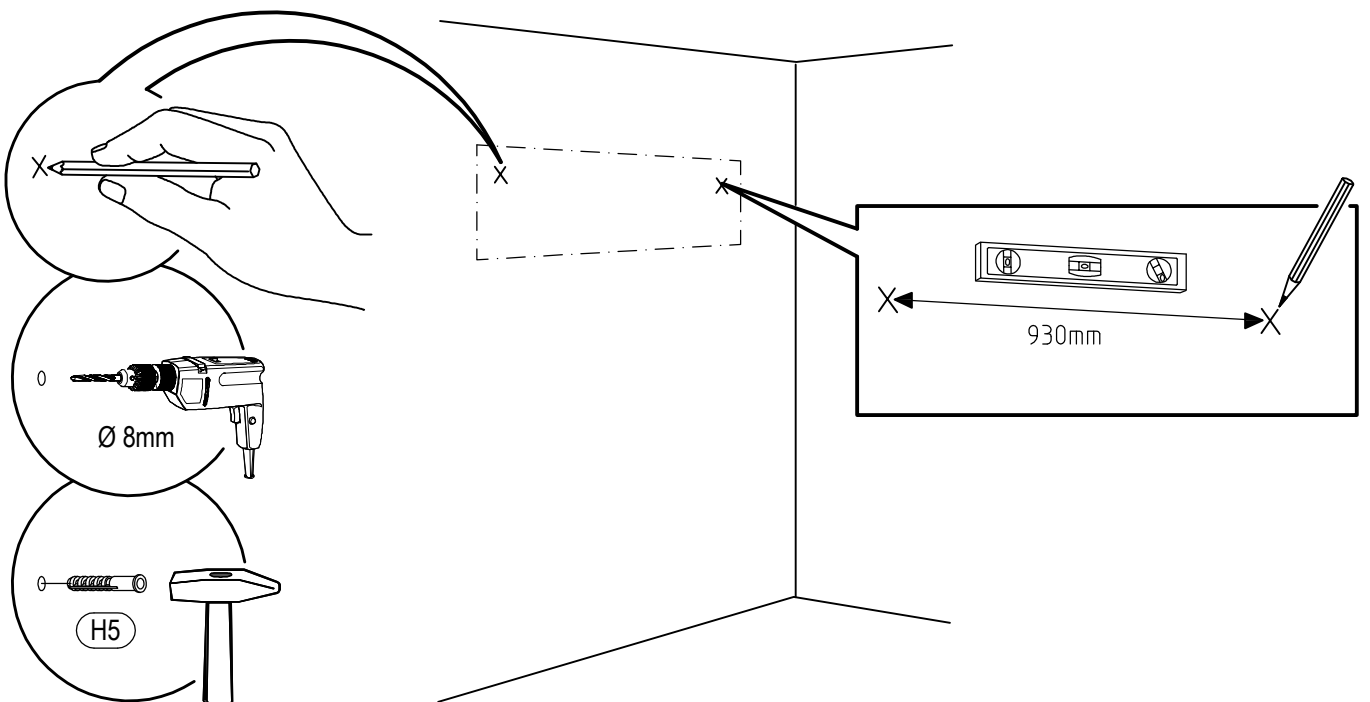
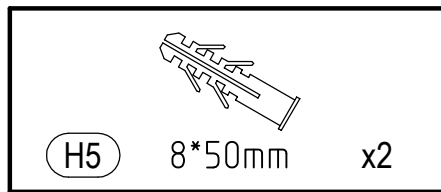
	
F3 6,3*13mm x2	H4 x2



57



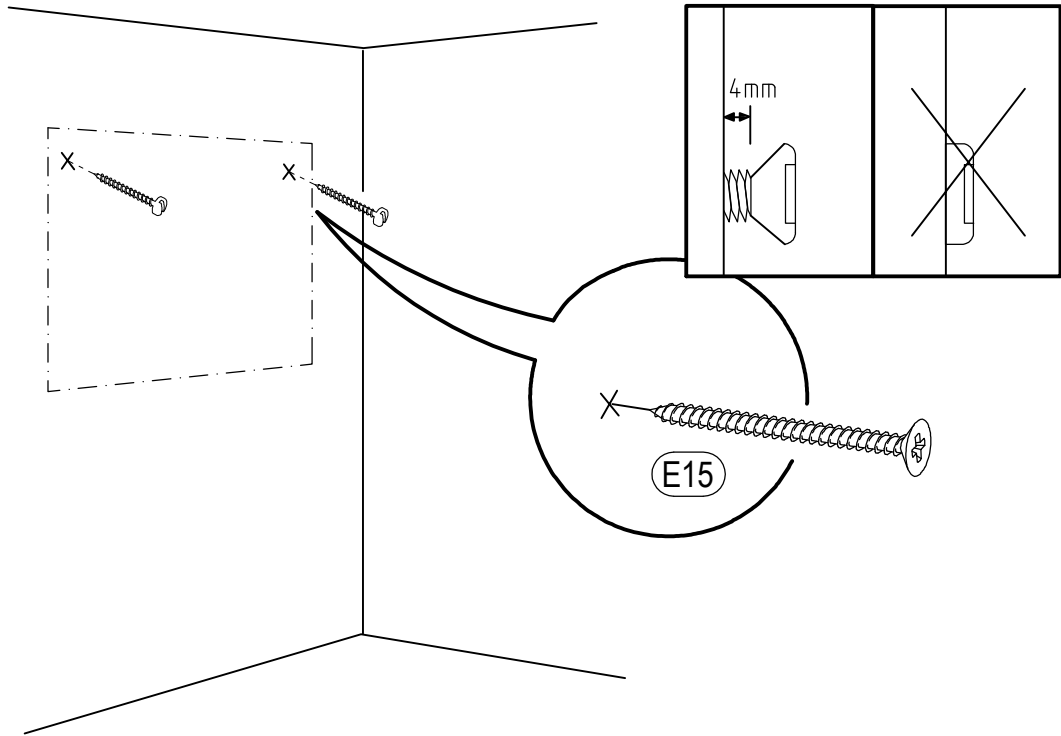
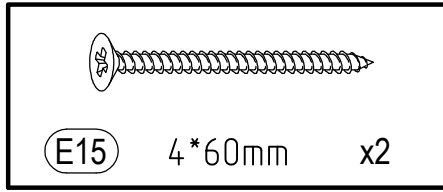
58



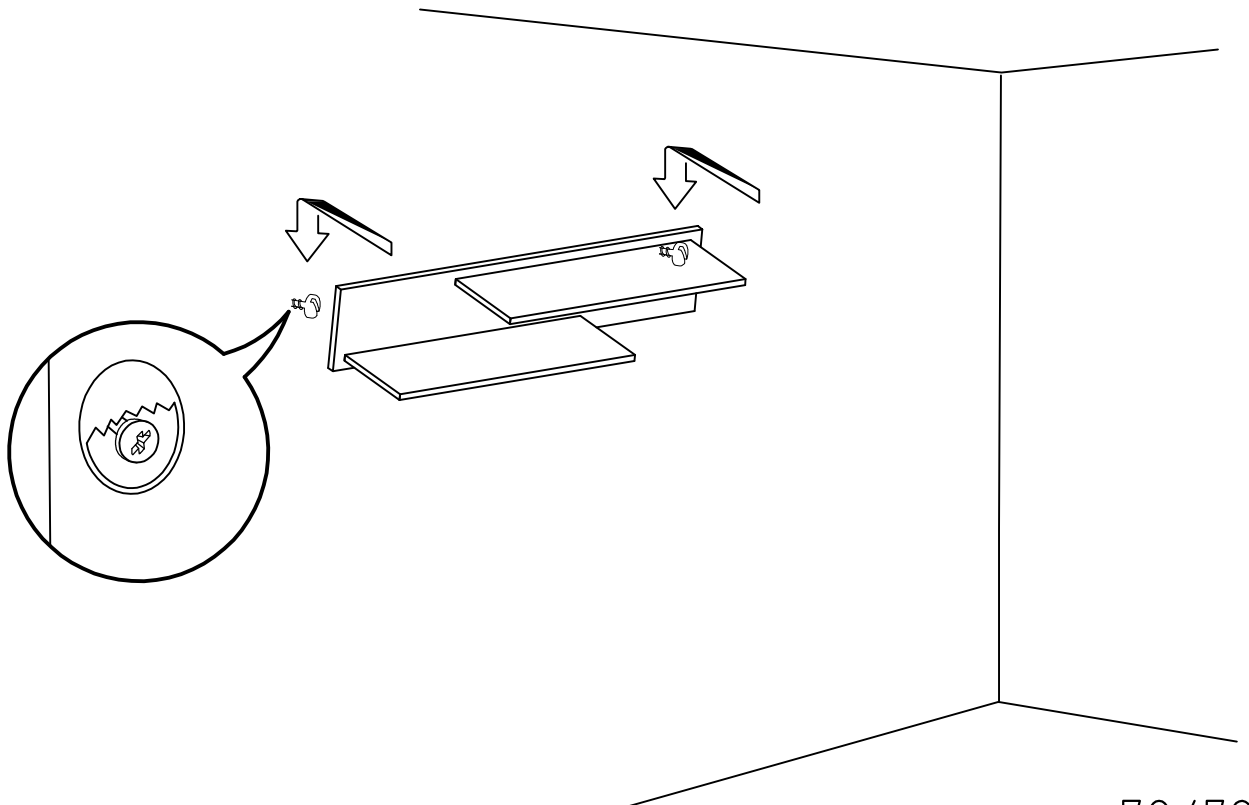
E

BYANKO

59



60



E

BYANKO

