














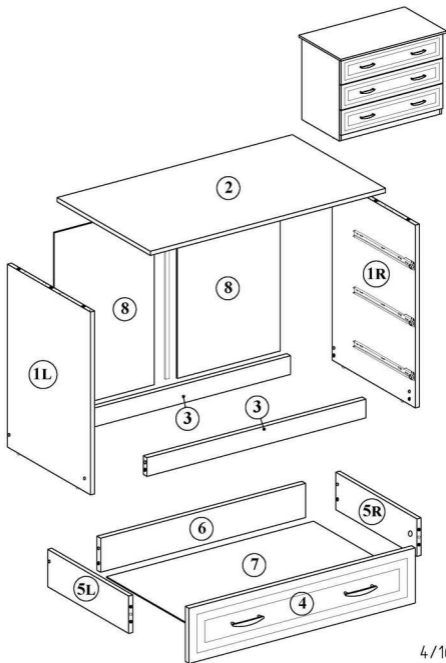




 A1 8*30mm x28	 B x4	 B1 6,3*50mm x10
 C1 5*30mm x6	 D x6	 D1 16mm x6
 E2 3*13mm x24	 E16 4,5*30mm x12	 I12 x6
 K1 x4	 M1 L- 350mm x3	 P4 L- 598mm x1
 R1 x1	 R2 14*25MM 0.03kg	 R3 x1

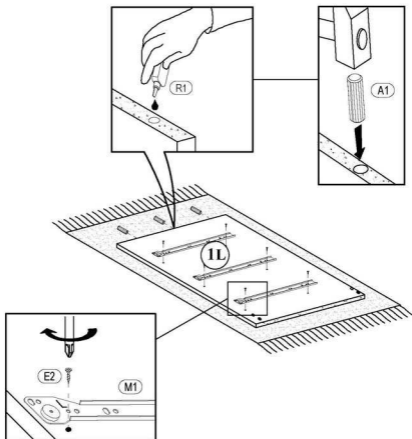
• •	a*b	x	N°→...
1R	680x380	x1	1
1L	680x380	x1	1
2	730x425	x1	1
3	677x80	x2	1
4	704x196	x3	1
5R	350x110	x3	1
5L	350x110	x3	1
6	620x110	x3	1
7	650x350	x3	1
8	640x352	x2	1
		x1	1





KIM



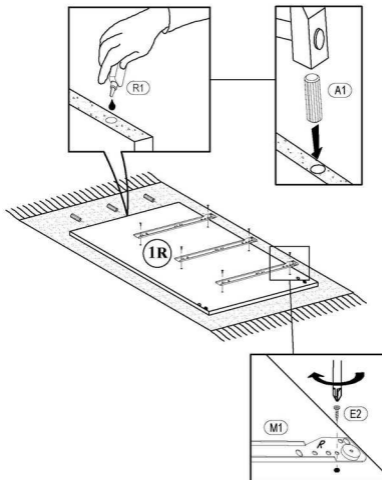
 A1 8*30mm x3	 E2 3*13mm x6	 M1 x3
 R1		




1

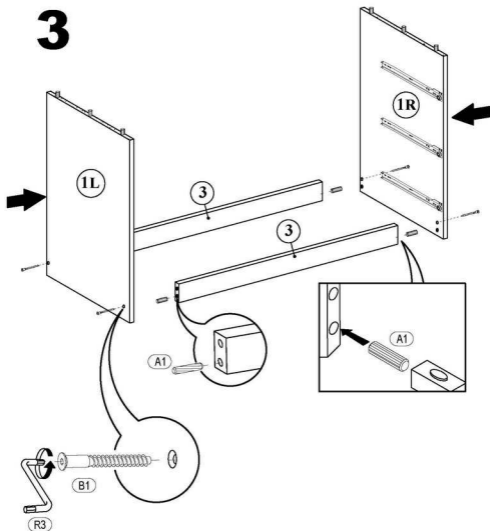


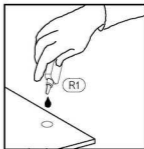
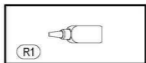
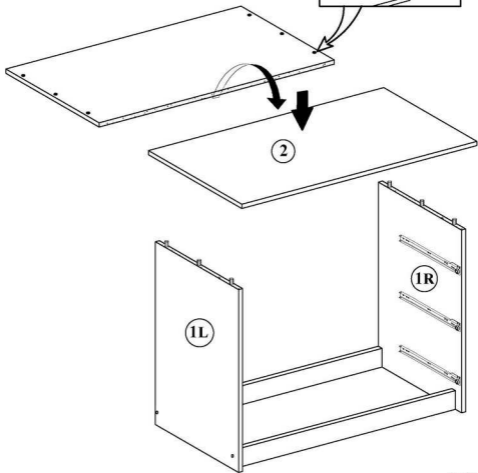
 A1 8*30mm x3	 E2 3*13mm x6	 M1 R x3
 R1		

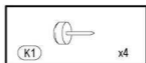
2



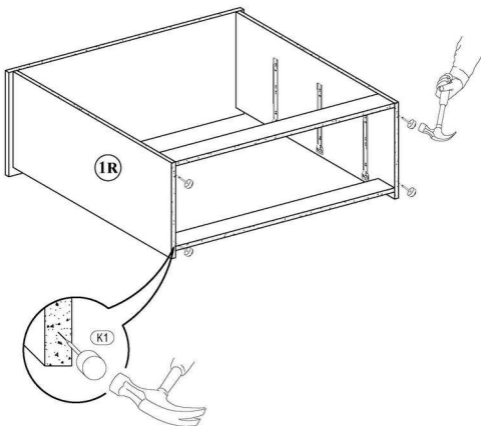
 A1 8*30mm x4	 B1 6,3*50mm x4	 R3
---	---	---

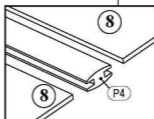
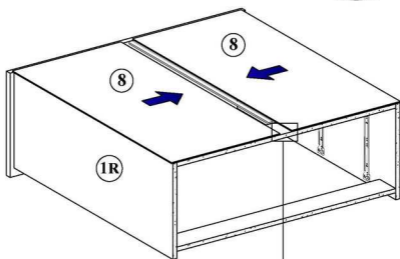
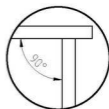
3

**4**

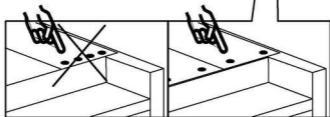
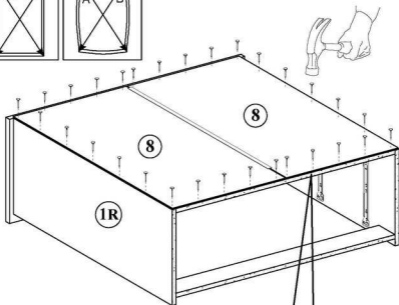
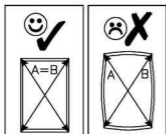


5









**6**

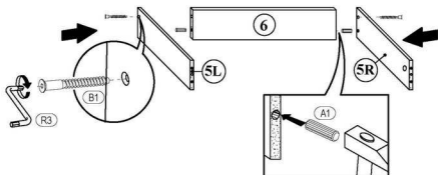
7



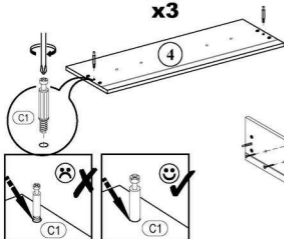
8

 A1 8*30mm x6	 B1 6,3*50mm x6	 C1 5*30mm x6
 E16 4,5*30mm x12	 I12 x6	 R3

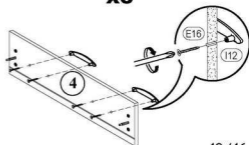
8.1
x3

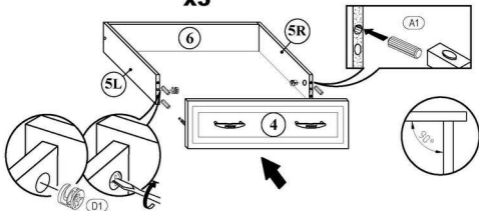
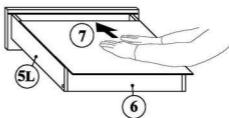


8.2
x3



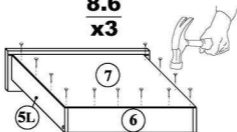
8.3
x3

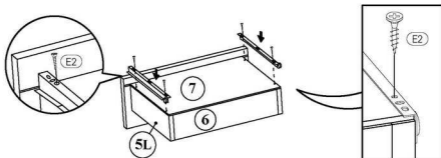


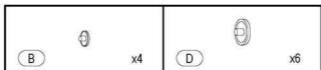
**8****8.4**
x3**8.5**
x3



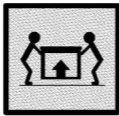
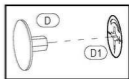
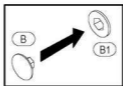
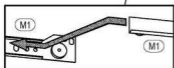
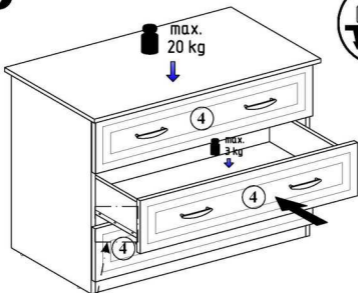
8

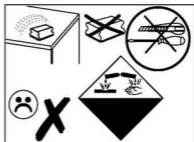
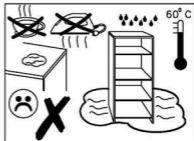
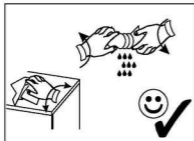
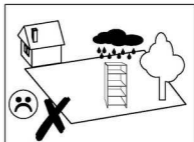
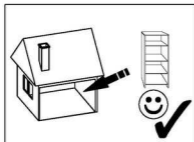
$$\frac{8.6}{x3}$$


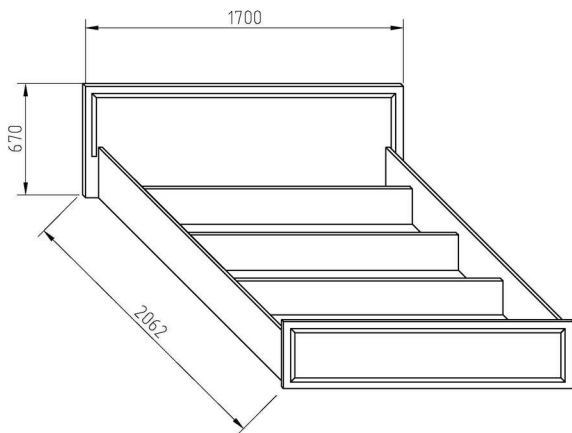
$$\frac{8.7}{x3}$$


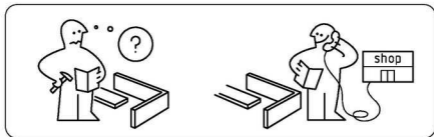
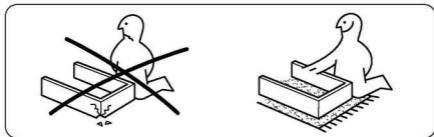
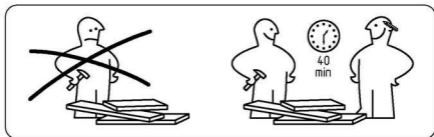
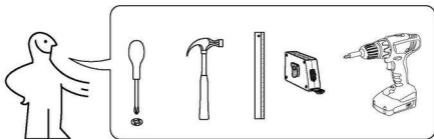



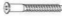


9




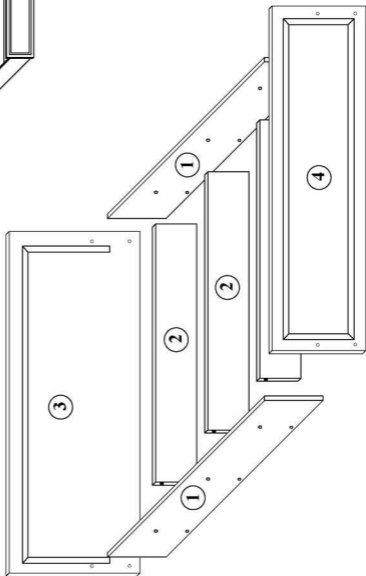
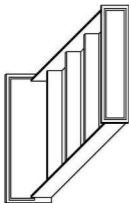


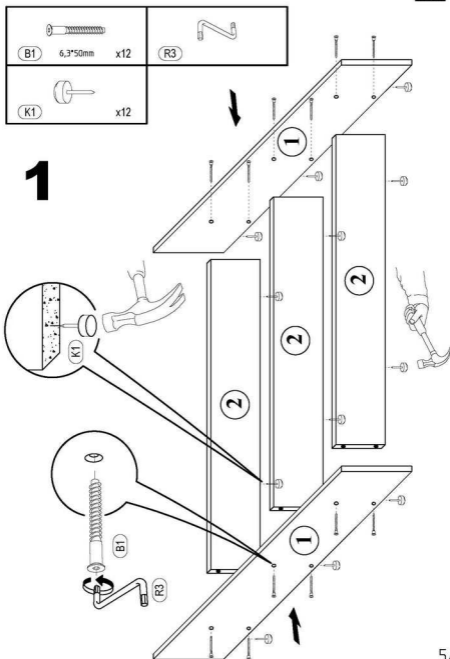







 B x20	 B1 6,3*50mm x20	 K1 x16
 R3 x1		

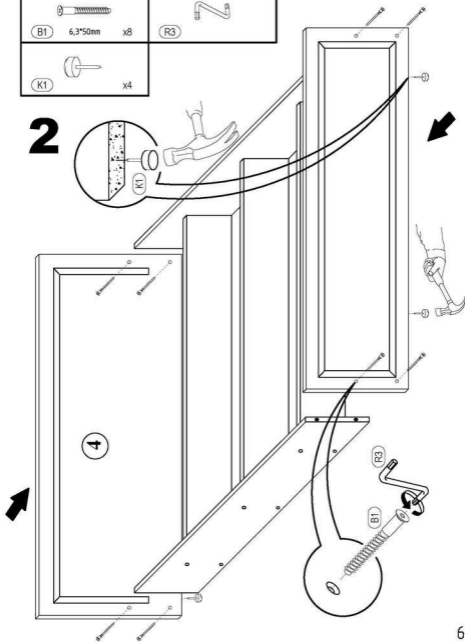
• •	a*b	x	N°→...
1	2030x300	x2	2
2	210x1610	x3	1/2
3	670x1700	x1	1
4	480x1700	x1	1
		x1	2



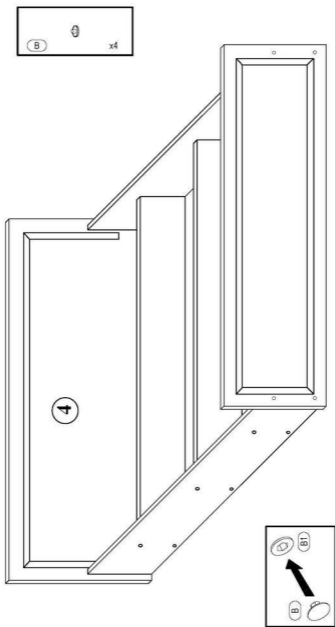


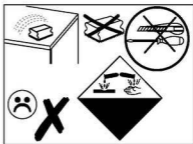
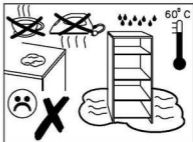
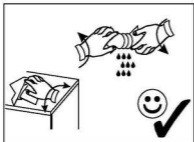
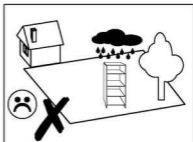
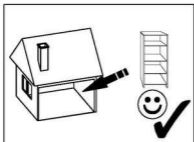
 B1 6,3*50mm x8	 R3
 K1 x4	

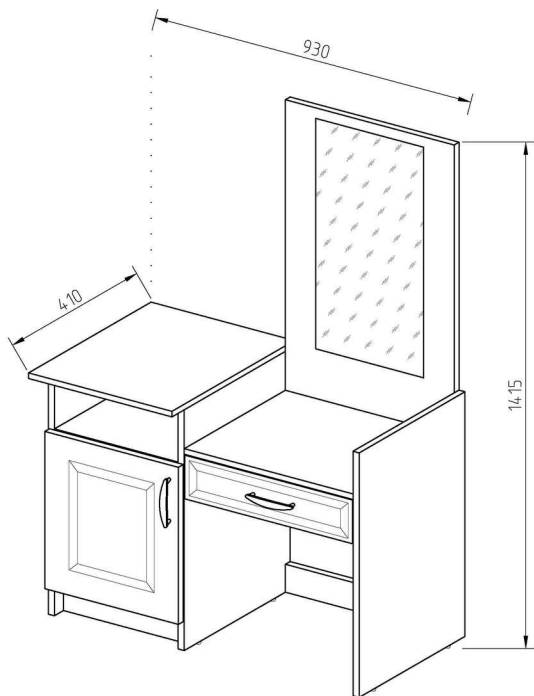
2

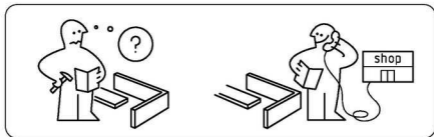
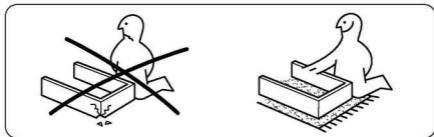
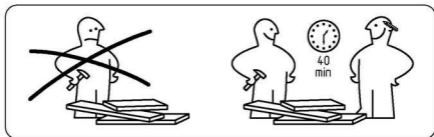
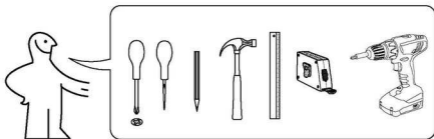













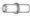






1




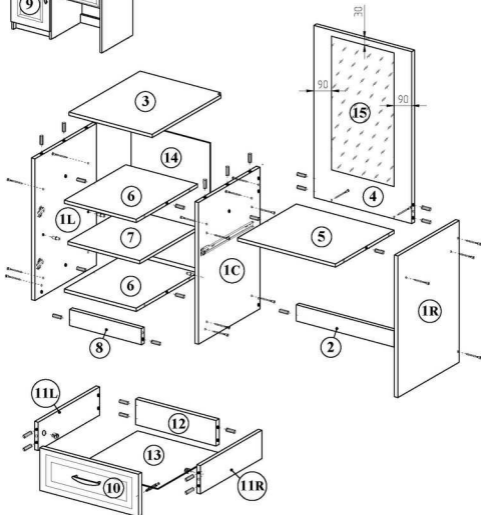
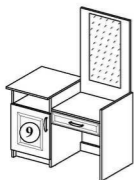










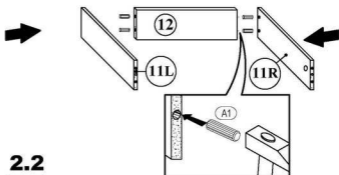
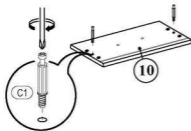
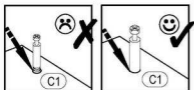
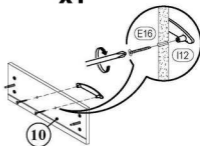
 A1 8*30mm x32	 B x18	 B1 6,3*50mm x20
 C1 5*30mm x2	 D x2	 D1 16mm x2
 E2 3*13mm x8	 E9 4*16mm x4	 E16 4,5*30mm x4
 F5 6,3*13mm x4	 I12 x2	 J1 x4
 K1 x6	 L1 x2	 M1 L= 300mm x1
 R1 x1	 R2 14*25MM 0.01kg	 R3 x1

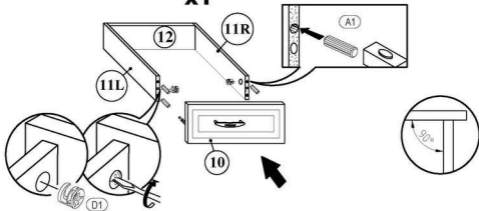
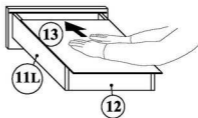
• •	a*b	x	N°→...	• •	a*b	x	N°→...
1R	700x350	x1	1	9	450x396	x1	1
1L	700x350	x1	1	10	125x496	x1	1
1C	700x350	x1	1	11R	300x90	x1	1
2	500x80	x1	1	11L	300x90	x1	1
3	425x495	x1	1	12	442x90	x1	1
4	850x500	x1	1	13	300x470	x1	1
5	500x334	x1	1	14	634x395	x1	1
6	367x350	x2	1	15	660x320	x1	
7	367x330	x1	1				
8	367x80	x1	1			x1	1



2

 A1 8*30mm x4	 C1 5*30mm x2	 E16 4,5*30mm x2
 I12 x1		

2.1
x12.2
x12.3
x1

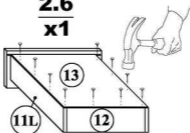
**2****2.4**
x1**2.5**
x1



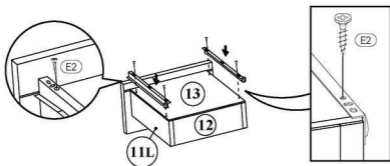
2

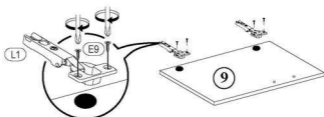
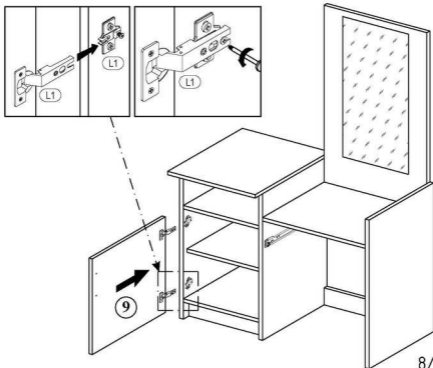


2.6
x1



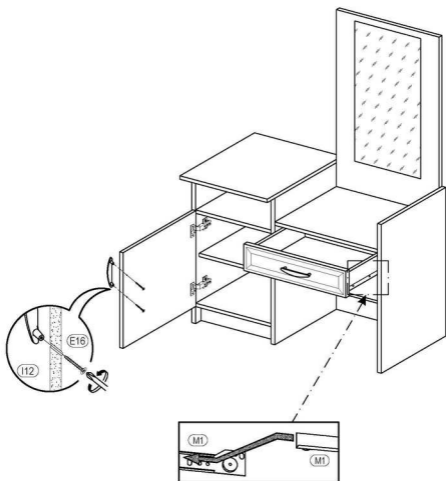
2.7
x1



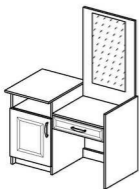
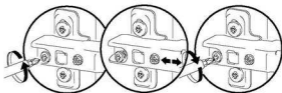
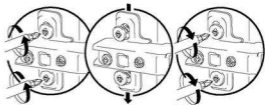
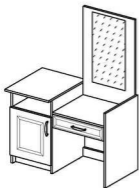
**3****4**

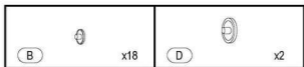


5

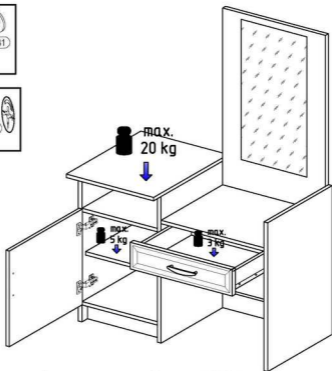
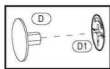
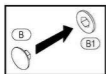


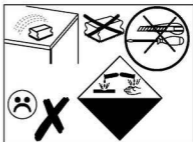
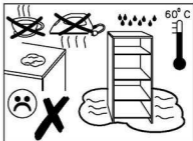
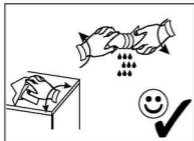
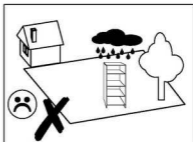
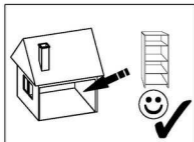
6

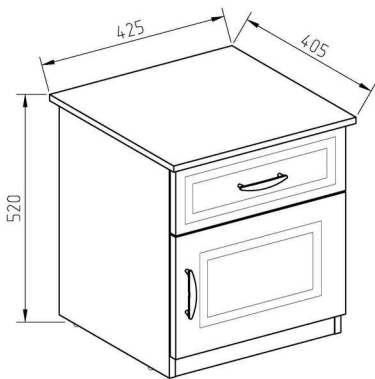


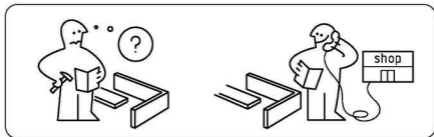
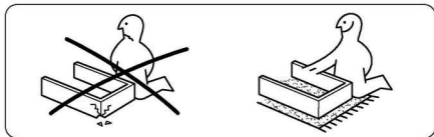
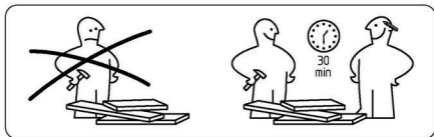
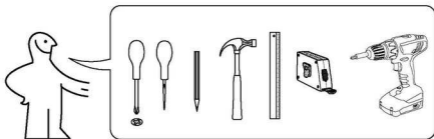




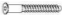














7




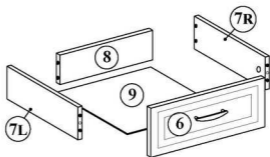
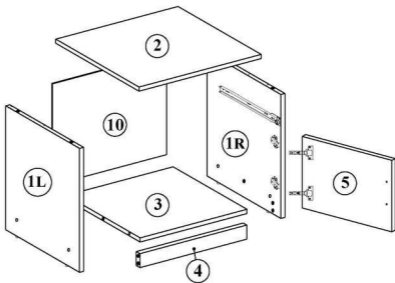












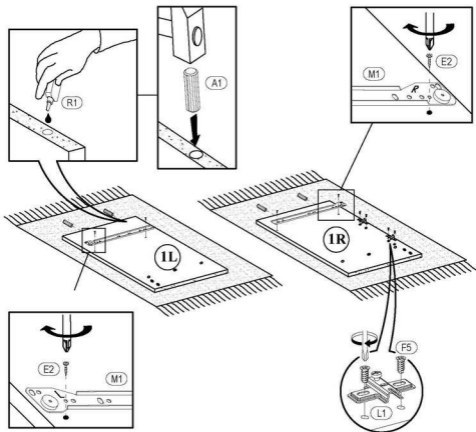
 (A1) 8*30mm x18	 (B) x4	 (B1) 6,3*50mm x4
 (C1) 5*30mm x2	 (D) x2	 (D1) 16mm x2
 (E2) 3*13mm x8	 (E9) 4*16mm x4	 (E16) 4,5*30mm x4
 (F5) 6,3*13mm x4	 (I12) x2	 (K1) x4
 (L1) x2	 (M1) L- 350mm x1	 (R1) x1
 (R2) 14*25MM 0.01kg	 (R3) x1	

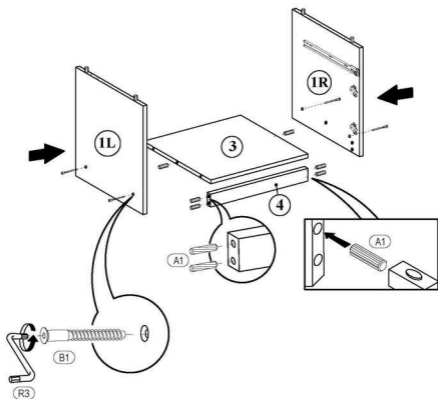
• •	a*b	x	N°→...
1R	500x356	x1	1
7L	500x356	x1	1
2	425x405	x1	1
3	367x356	x1	1
4	367x80	x1	1
5	286x396	x1	1
6	125x396	x1	1
7R	350x90	x1	1
7L	350x90	x1	1
8	309x90	x1	1
9	360x350	x1	1
10	395x430	x1	1
		x1	1

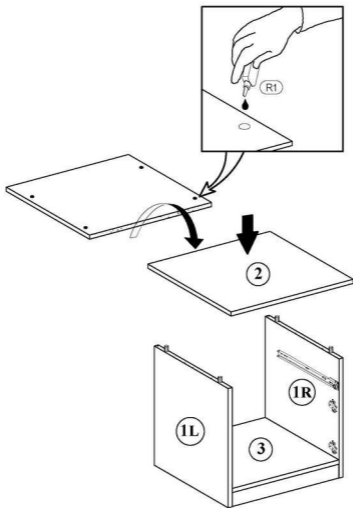
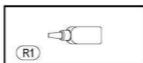


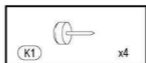
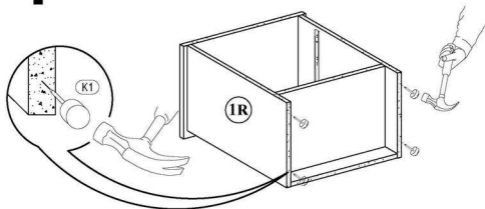
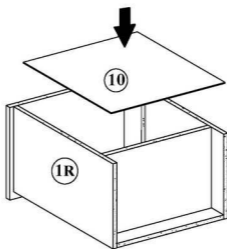
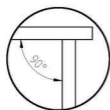
 (A1) 8*30mm x2	 (E2) 3*13mm x4	 (F5) 6,3*13mm x4
 (L1) x2	 (M1) x1	 (R1)

1

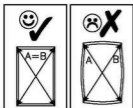
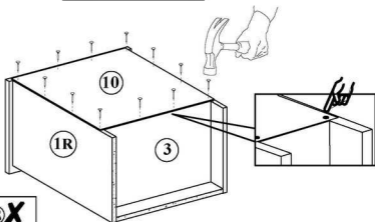


**2**

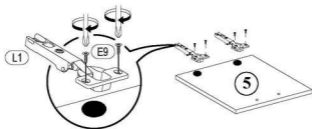
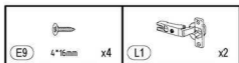
3

**4****5**

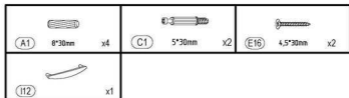
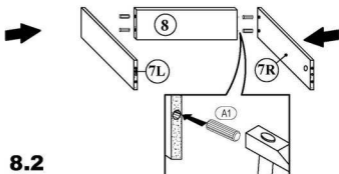
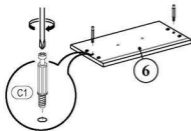
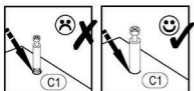
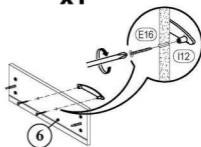
6



7

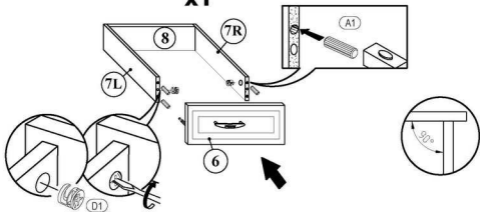
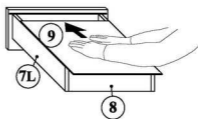


8

8.1
x18.2
x18.3
x1

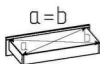


8

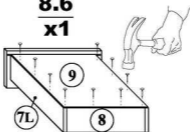
8.4
x18.5
x1



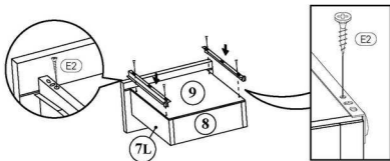
8



8.6
x1

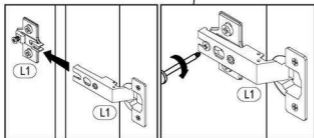
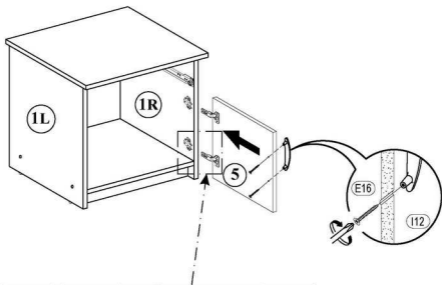


8.7
x1



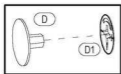
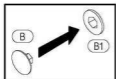
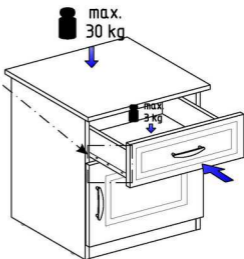
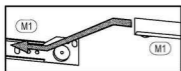


9

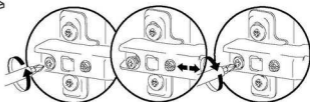
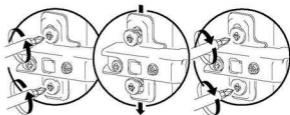


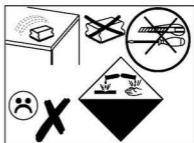
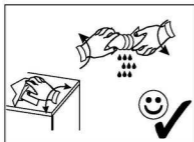
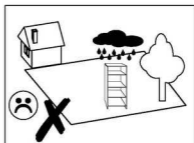
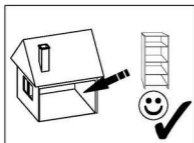


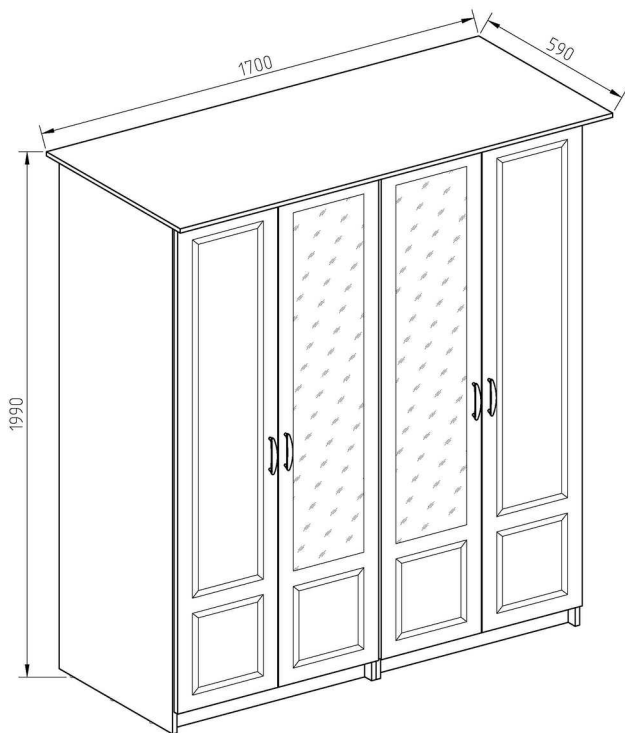
10

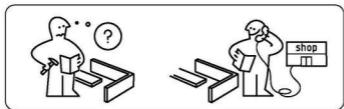
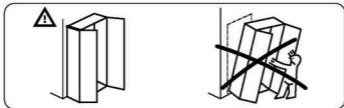
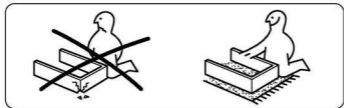
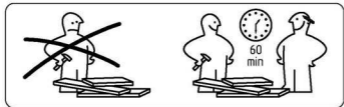
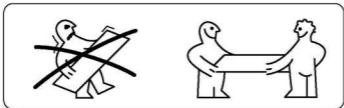
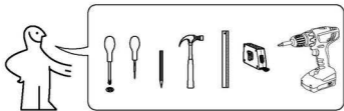




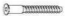














11




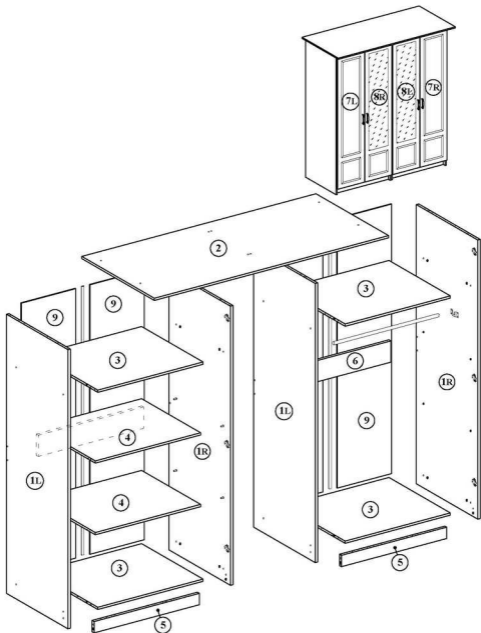






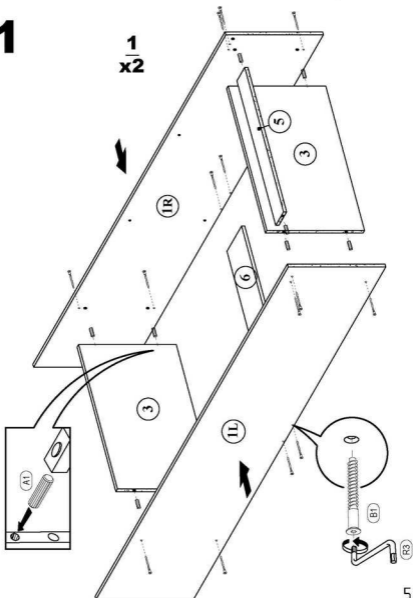
 (A1) 8*30mm x36	 (B) x10	 (B1) 6,3*50mm x34
 (E3) 3*15mm x8	 (E9) 4*16mm x24	 (E10) 4*30mm x10
 (E16) 4,5*30mm x1	 (F5) 6,3*13mm x24	 (H12) x4
 (J1) x8	 (K1) x12	 (L1) x12
 (P4) L-1870mm x2	 (P5) L-765mm x1	 (P6) x2
 (R2) 14*25mm 0.05kg	 (R4) №4 x1	




• •	a*b	x	N [→] ...	• •	a*b	x	N [→] ...
1R	1970x500	x2	2	8R	1886x396	x1	1
1L	1970x500	x2	2	8L	1886x396	x1	1
2	1700x590	x1	4	9	397x1901	x4	2
3	767x500	x4	3	10	1368x280	x2	
4	767x480	x2	3				
5	767x80	x2	3			x1	3
6	767x150	x2	3				
7R	1886x396	x1	1				
7L	1886x396	x1	1				

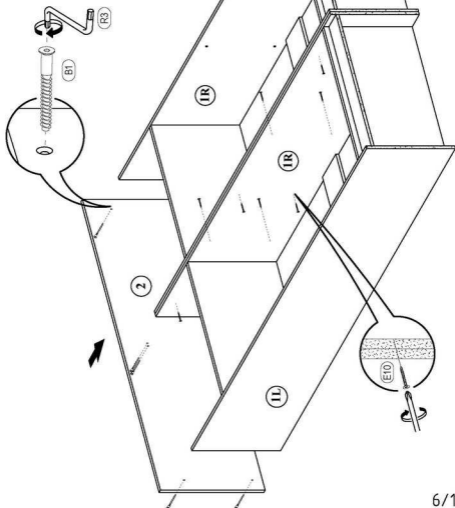


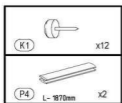
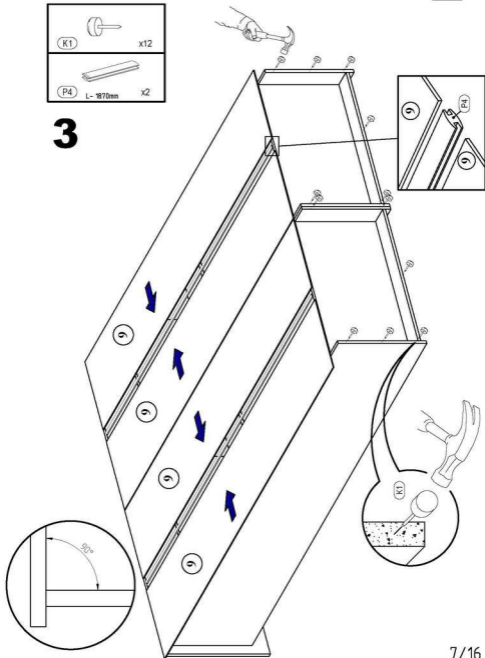
 <p>A1 8*30mm x10</p>	 <p>B1 6.3*50mm x14</p>	 <p>R3</p>
--	--	---

1

1
x2

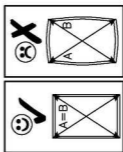
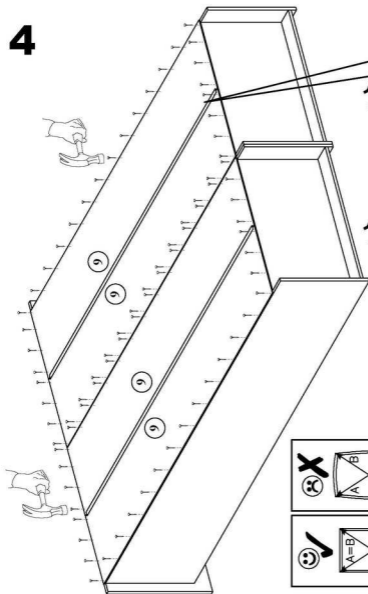
 B1 6,3*50mm x8	 R3
2	 E10 4*30mm x10



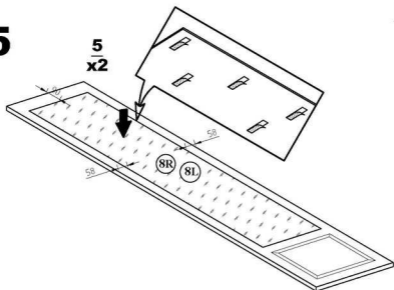
**3**



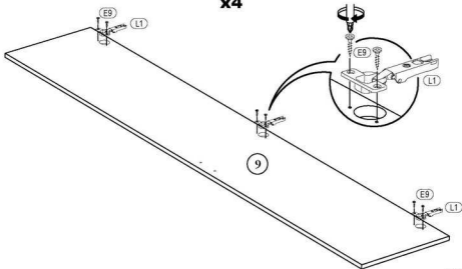
4



5

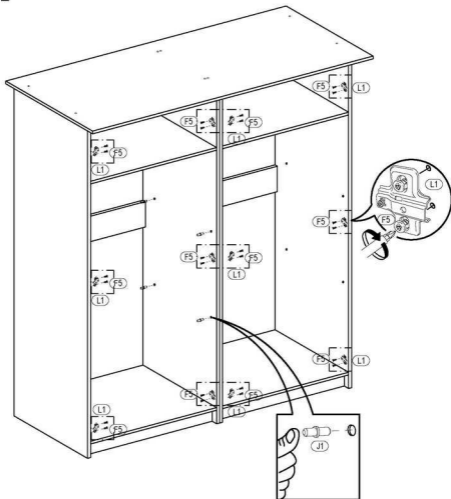


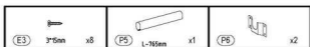
6


 6×4


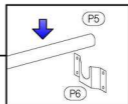
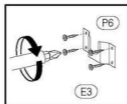
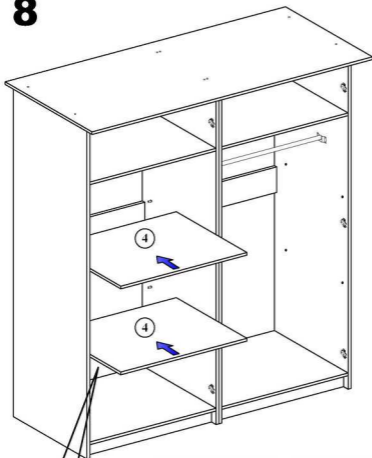
 F5 6,3*13mm x24	 J1 x8	 L1 x12
--	--	---

7

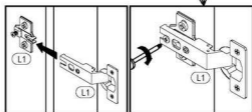
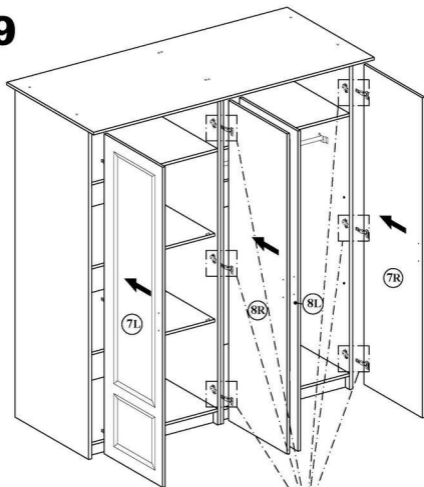


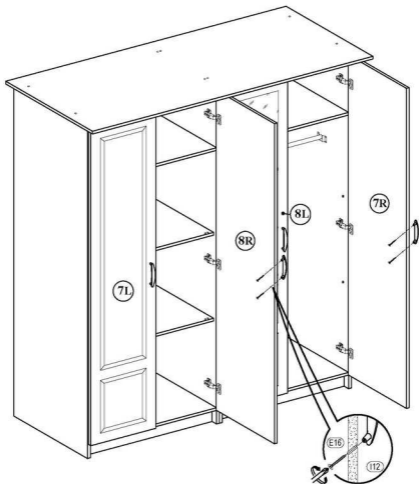


8

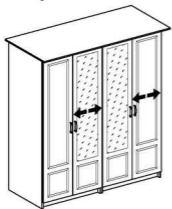
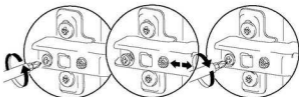
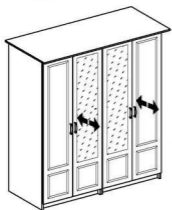
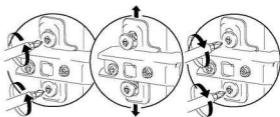
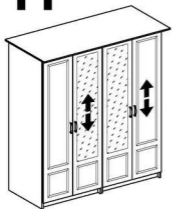


9



**10**

11





12

